

ASSEMBLY INSTRUCTIONS
COASTER FINE FURNITURE



Fine Furniture for every stage of life

983281
COAT RACK

ITEM: **983281**



ASSEMBLY INSTRUCTIONS

ASSEMBLY TIPS:

1. Remove hardware from box and sort by size.
2. Please check to see that all hardware and parts are present prior to start of assembly.
3. Please follow attached instructions in the same sequence as numbered to assure fast & easy assembly.




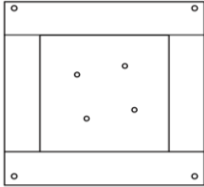
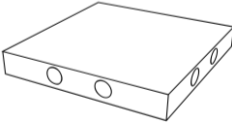
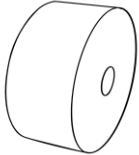

WARNING!

1. Don't attempt to repair or modify parts that are broken or defective. Please contact the store immediately.
2. This product is for home use only and not intended for commercial establishments.

ASSEMBLY TIME



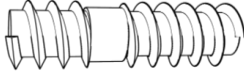
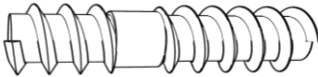
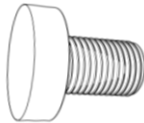
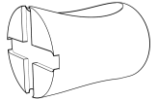

30 MINUTES

PARTS IDENTIFICATION

A	SIDE PANEL		4 PCS
B	BASE		1 PC
C	SUPPORT PANEL		2 PCS
D	HOOK STOPPER		8 PCS
E	HOOK		8 PCS

ASSEMBLY INSTRUCTIONS

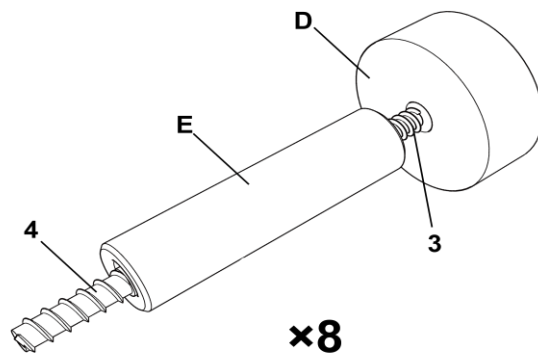
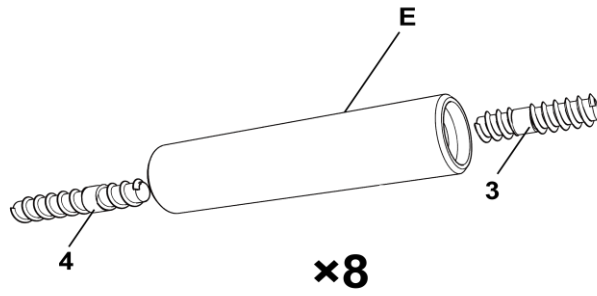
Z HARDWARE IDENTIFICATION

1	WOOD DOWEL (Ø8 x 25mm)		12 PCS
2	BOLT (1/4" x 15mm - BLK)		4 PCS
3	THREADED BOLT - SHORT (1/4" x 25mm - RBW)		8 PCS
4	THREADED BOLT - LONG (1/4 x 44mm - RBW)		8 PCS
5	LEVELER (Ø19 x 20mm - BLK)		4 PCS
6	CROSS DOWEL BARREL NUT (Ø9 x 12mm - BLK)		4 PCS
7	ALLEN WRENCH (4mm x 56mm - SR)		1 PC

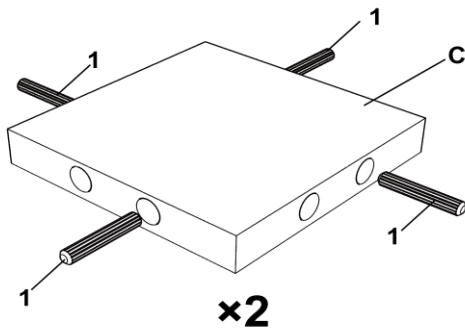
ITEM: **983281**



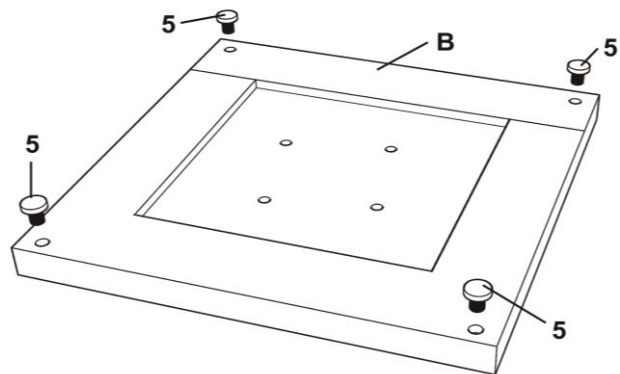
ASSEMBLY INSTRUCTIONS
STEP 1



STEP 2



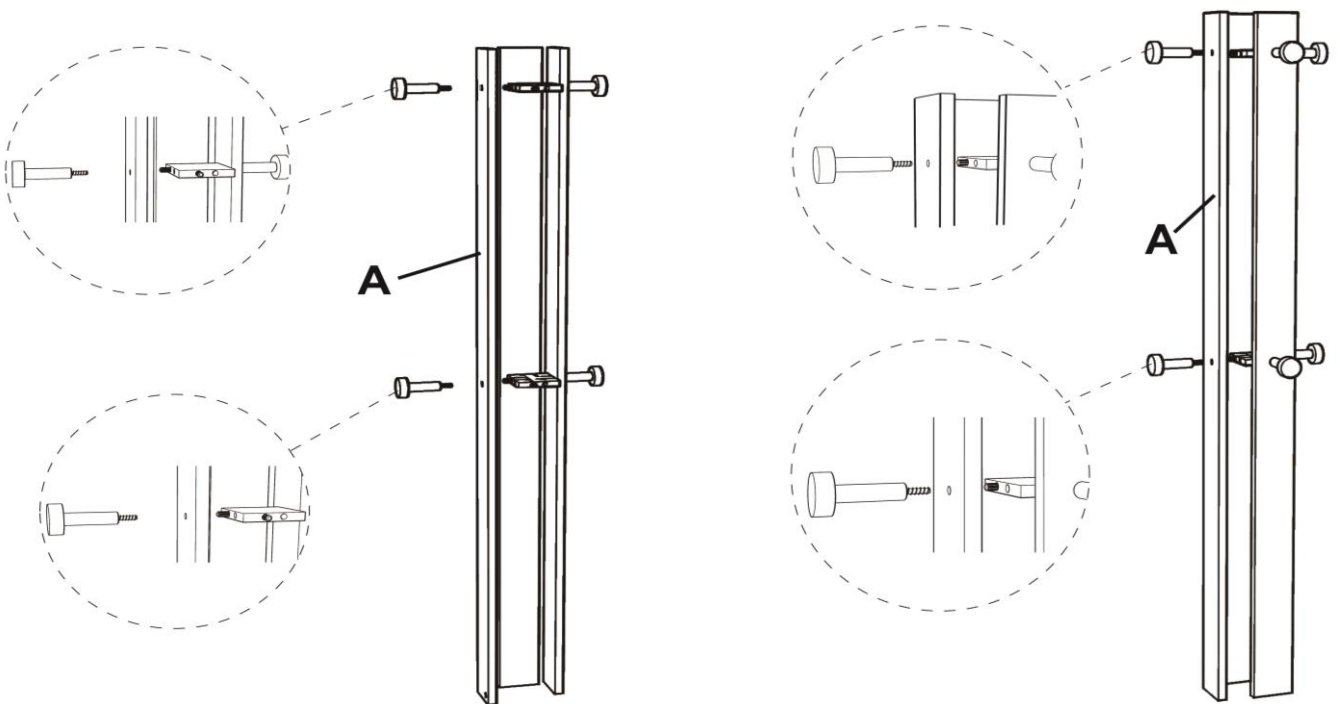
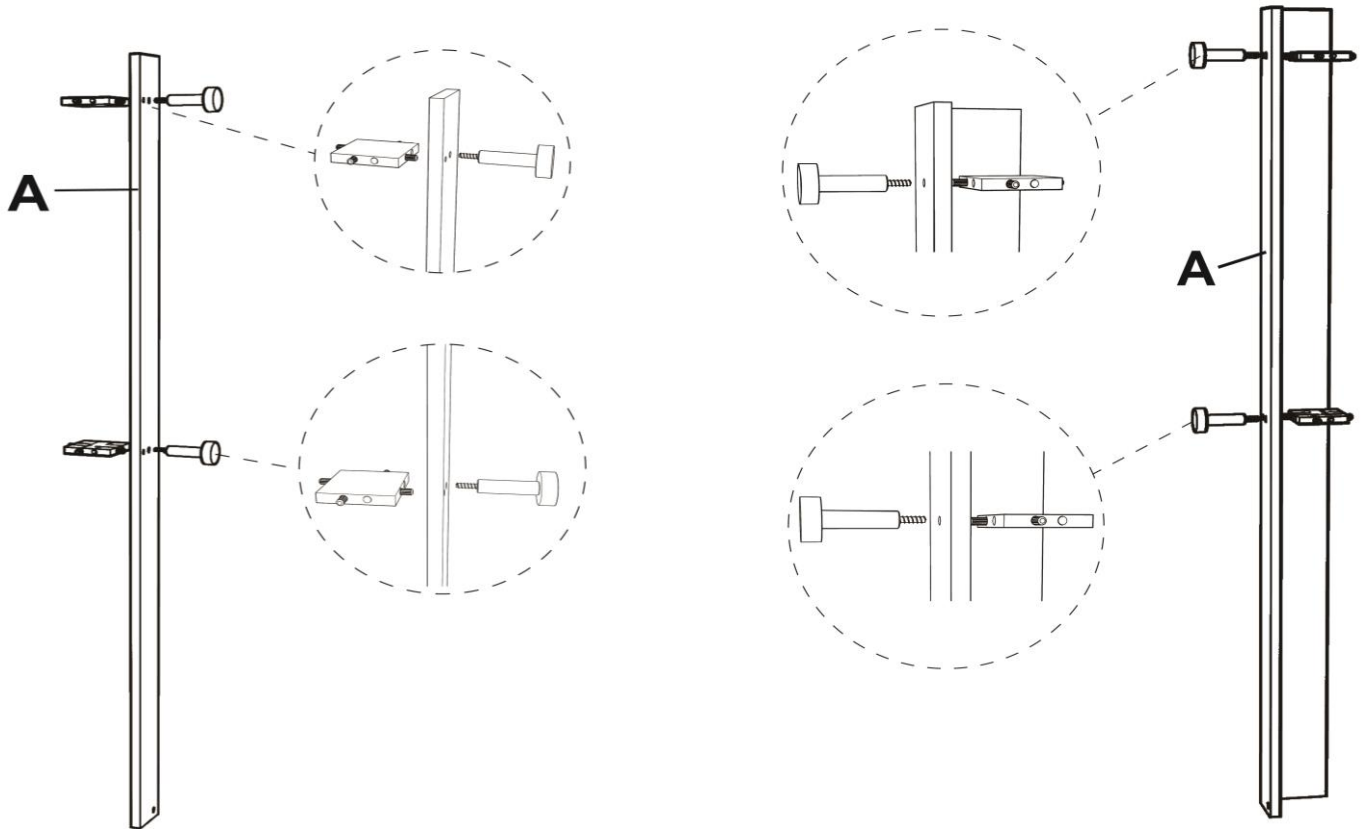
STEP 3



ITEM: **983281**

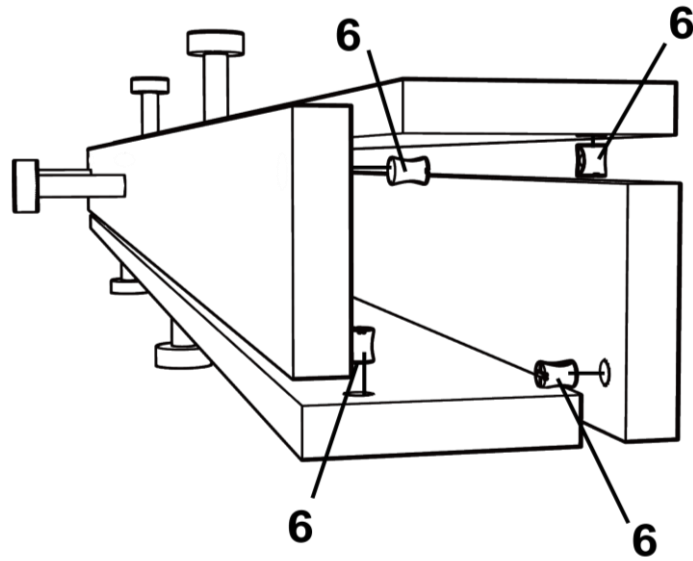


ASSEMBLY INSTRUCTIONS
STEP 4

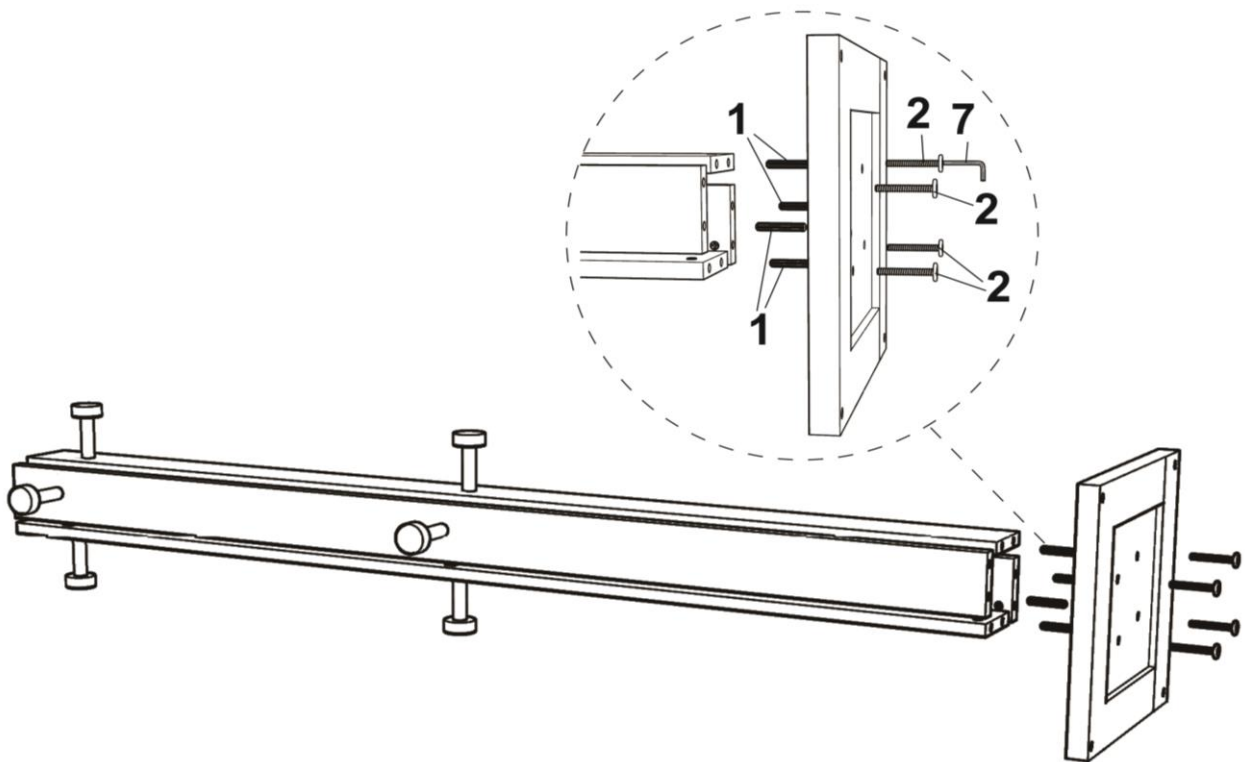


ITEM: **983281**

ASSEMBLY INSTRUCTIONS
STEP 5



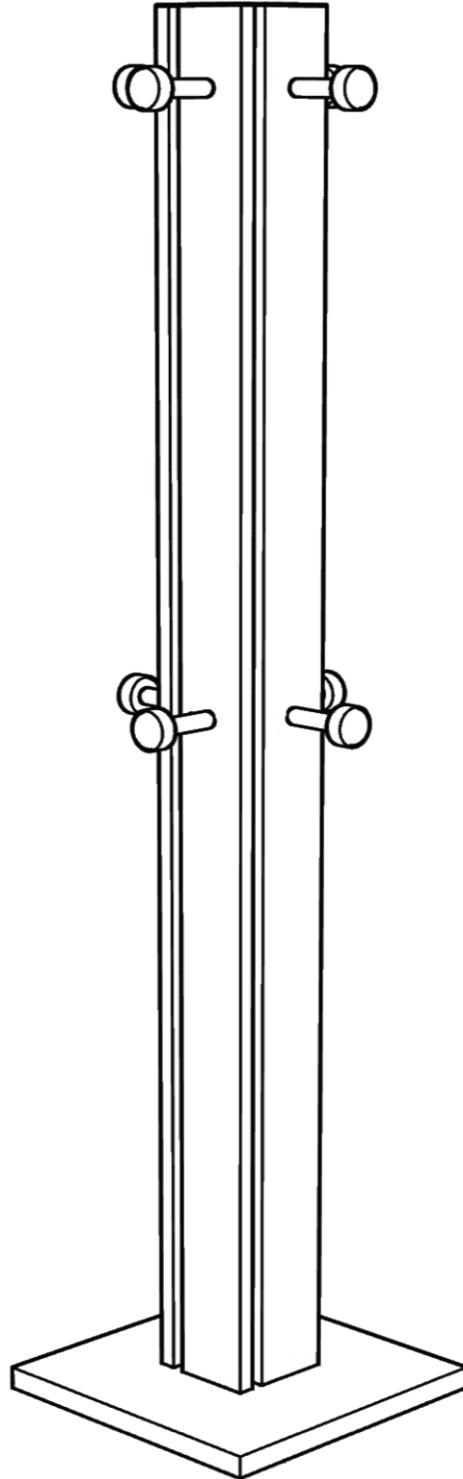
STEP 6



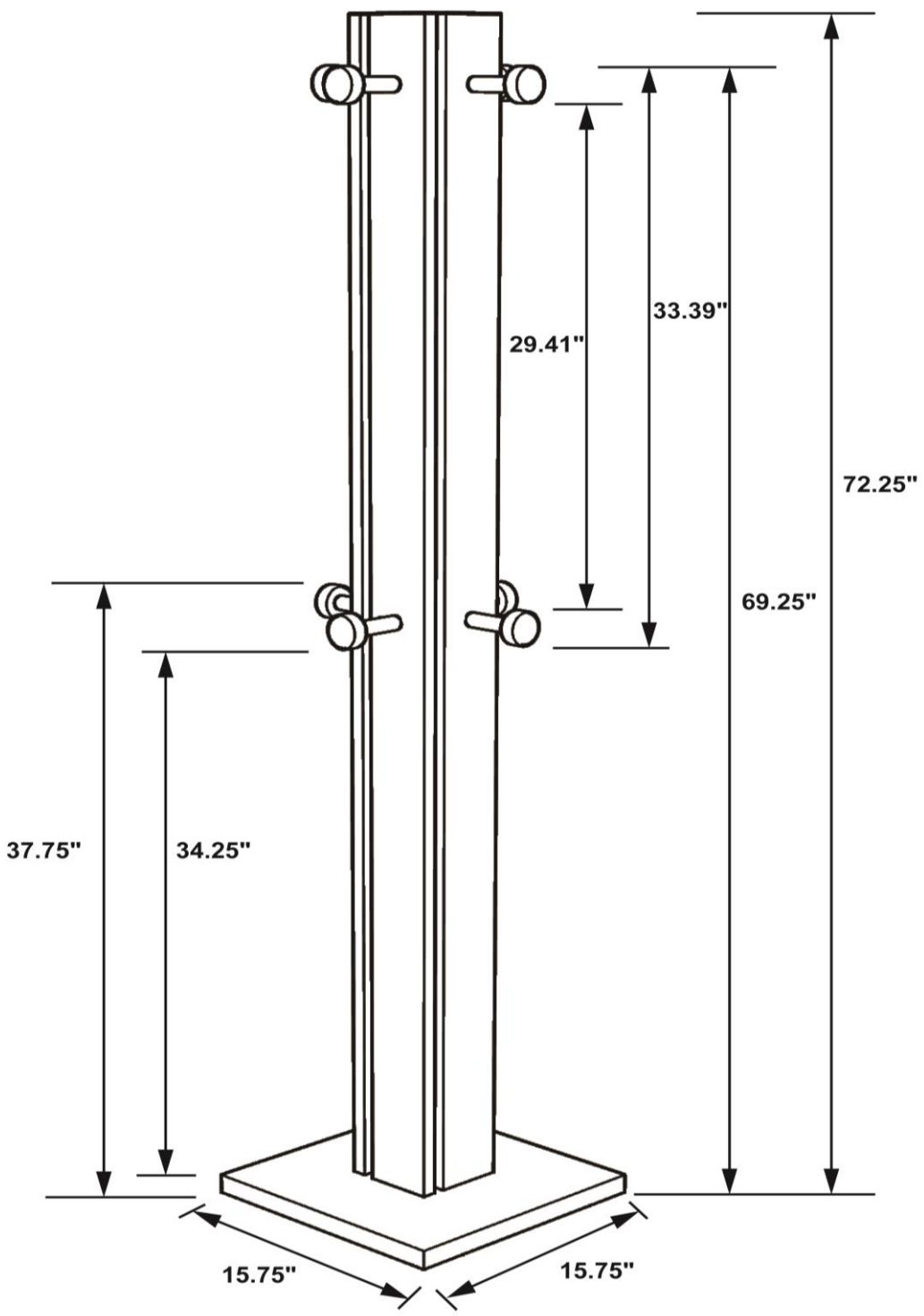
ITEM: **983281**

ASSEMBLY INSTRUCTIONS

COMPLETE



ITEM: **983281**



Note : Dimension tolerance $\pm 5\%$