



ASSEMBLY INSTRUCTIONS
COASTER FINE FURNITURE



Fine Furniture for every stage of life

500818
SLEEPER SECTIONAL

REVISION 0: 07/12/2024
REVISION 1: 08/28/2024

PAGE 1 OF 8

COASTERFURNITURE.COM

ITEM : 500818B1



ASSEMBLY INSTRUCTIONS

ASSEMBLY TIPS:

- 1.Remove hardware from box and sort by size.
- 2.Please check to see that all hardware and parts are present prior to start of assembly.
- 3.Please follow attached instruction in the same sequence as numbered to assure fast & easy assembly.



WARNING!




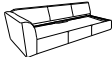


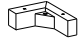
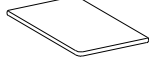
- 1.Don't attempt to repair or modify parts that are broken or defective. Please contact the store immediately.
- 2.This product is for home use only and not intended for commercial establishment.


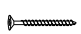



ASSEMBLY TIME

5 MINUTES

PARTS IDENTIFICATION

- A LEFT BACK CUSHION  1PC
- B MIDDLE BACK CUSHION  2PCS
- C SMALL SEAT CUSHION  3PCS
- D SLEEPER SOFA FRAME  1PC
- E PATTERNED PILLOW  1PC
- F PLAIN PILLOW  1PC
- G LEG  4PCS
- H FOAM TOPPER  1PC

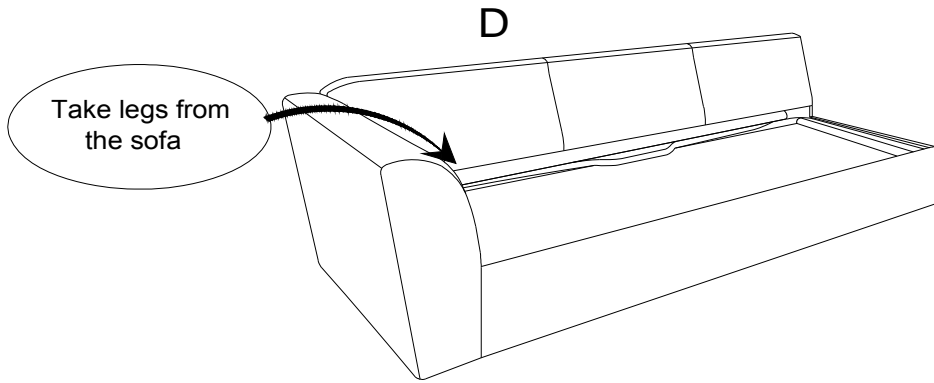
Z	HARDWARE PACKAGE		
NO	DESCRIPTION	FIGURE	QTY
1	BOLT 5/16" * 3"		4PCS
2	WOOD SCREW M4*60MM		4PCS
3	PLASTIC CAP Ø19.5*18.5mm		8PCS

ITEM : 500818B1

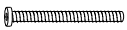
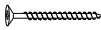

ASSEMBLY INSTRUCTIONS

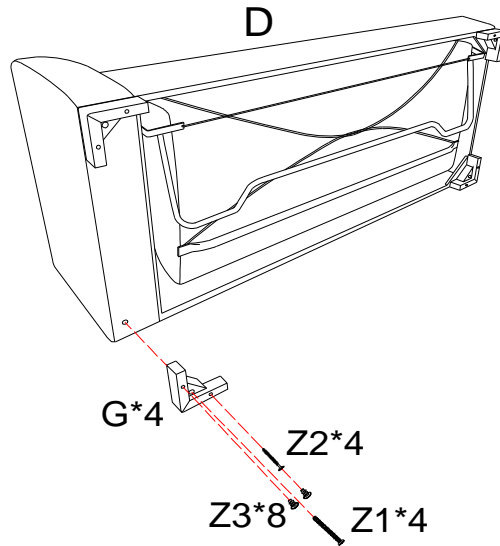


STEP 1

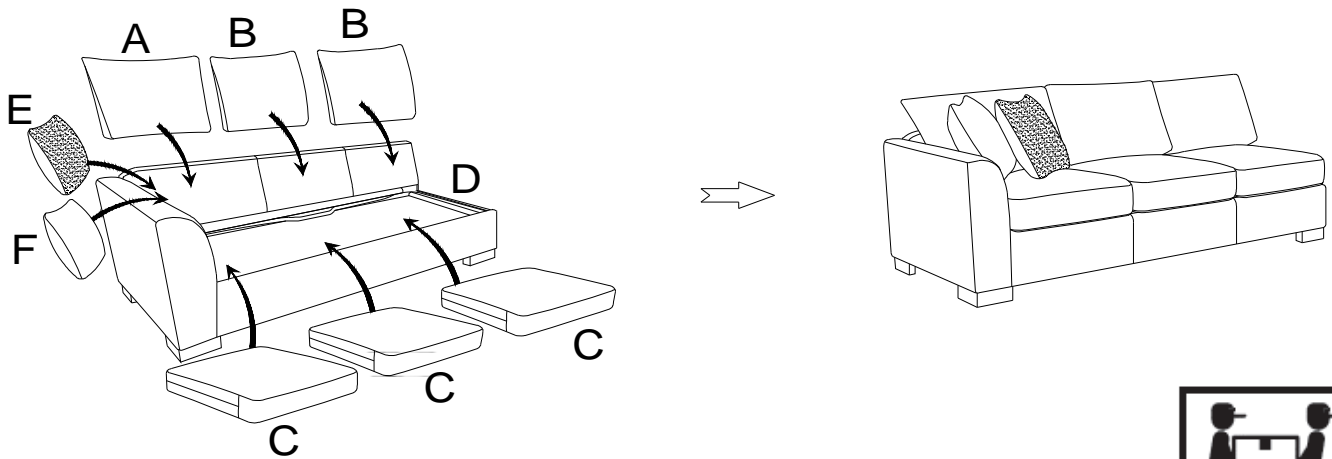


STEP 2

1	 X 4	2	 X 4	3	 X 8
---	---	---	---	---	---



STEP 3

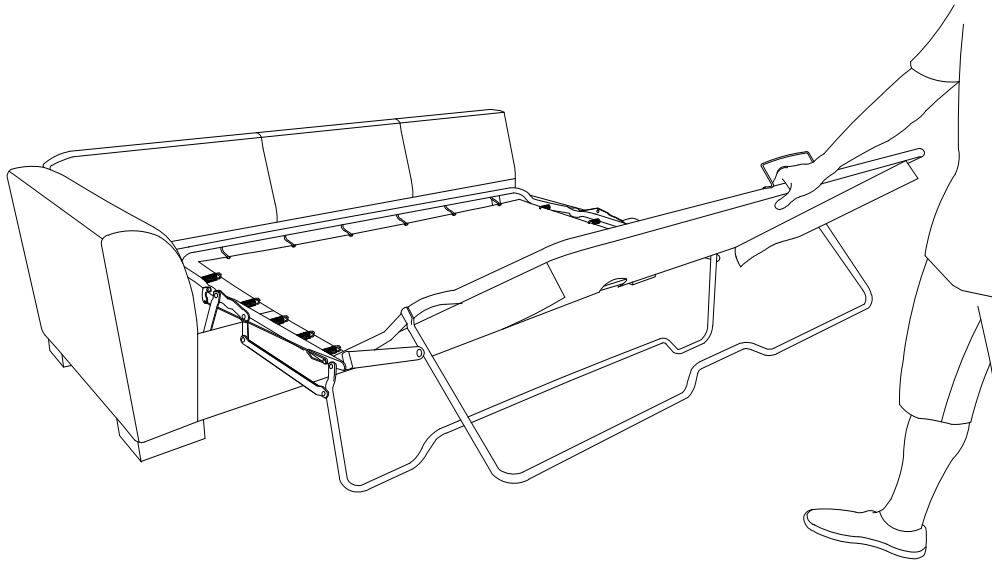


ITEM : 500818B1

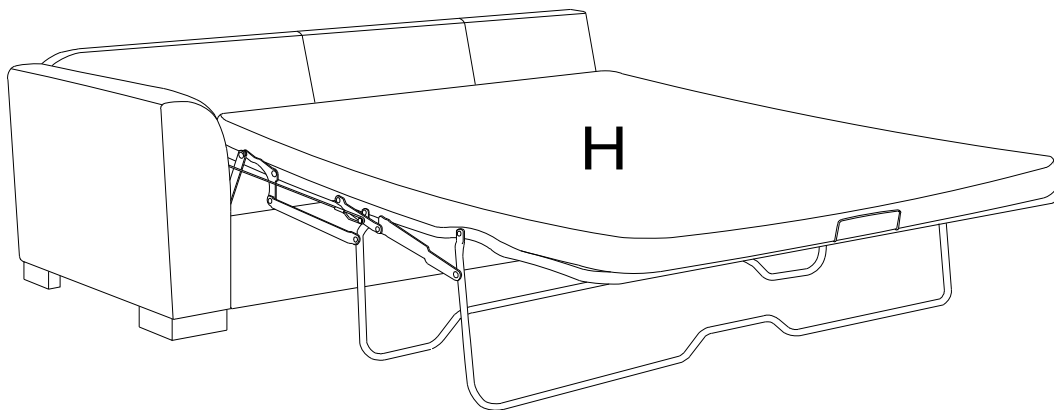
ASSEMBLY INSTRUCTIONS



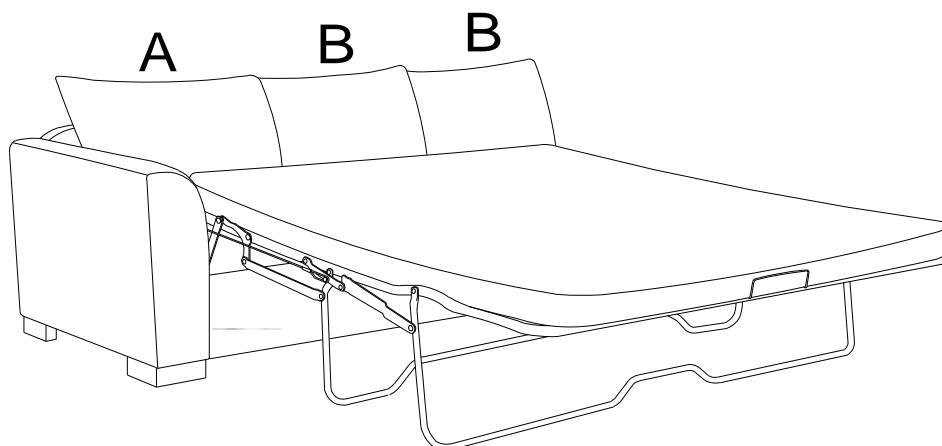
STEP 1



STEP 2



STEP 3



ITEM : 500818B2



ASSEMBLY INSTRUCTIONS

ASSEMBLY TIPS:

- 1.Remove hardware from box and sort by size.
- 2.Please check to see that all hardware and parts are present prior to start of assembly.
- 3.Please follow attached instruction in the same sequence as numbered to assure fast & easy assembly.



WARNING!












- 1.Don't attempt to repair or modify parts that are broken or defective. Please contact the store immediately.
- 2.This product is for home use only and not intended for commercial establishment.

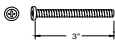
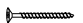



ASSEMBLY TIME

5 MINUTES

PARTS IDENTIFICATION

- I RIGHT BACK CUSHION  1PC
- B MIDDLE BACK CUSHION  1PC
- J SMALL BACK CUSHION  1PC
- K BIG BACK CUSHION  1PC
- C SMALL SEAT CUSHION  2PCS
- L BIG SEAT CUSHION  1PC
- M SOFA FRAME  1PC
- E PATTERNED PILLOW  2PCS
- F PLAIN PILLOW  2PCS
- G LEG  4PCS
- N MIDDLE LEG  1PC

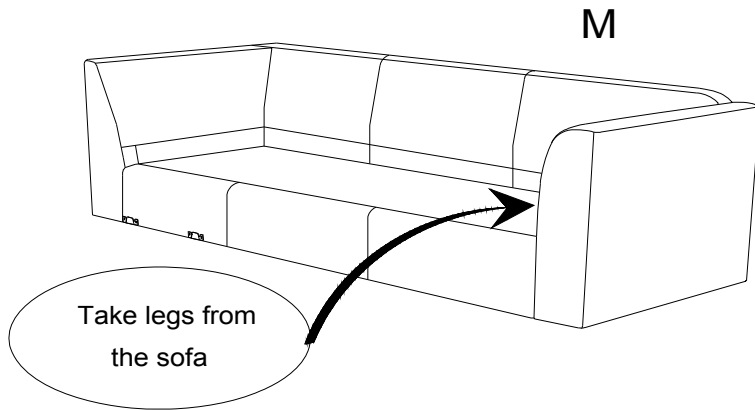
Z	HARDWARE PACKAGE		
NO	DESCRIPTION	FIGURE	QTY
1	BOLT 5/16" * 3"		4PCS
2	WOOD SCREW M4*60MM		4PCS
3	PLASTIC CAP Ø19. 5*18. 5mm		8PCS

ITEM : 500818B2

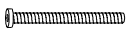
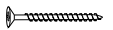

ASSEMBLY INSTRUCTIONS

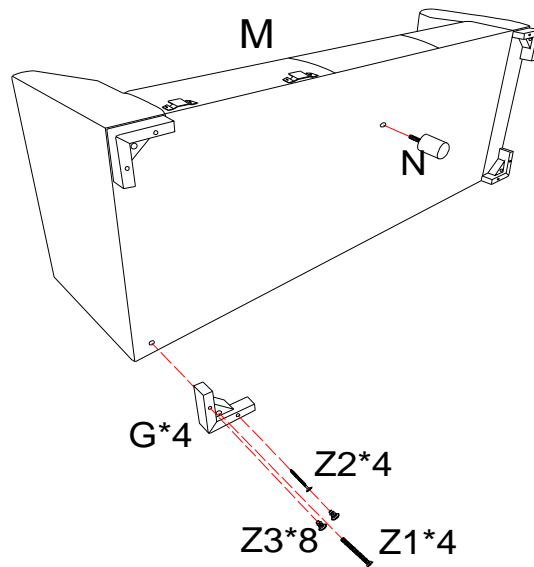


STEP 1

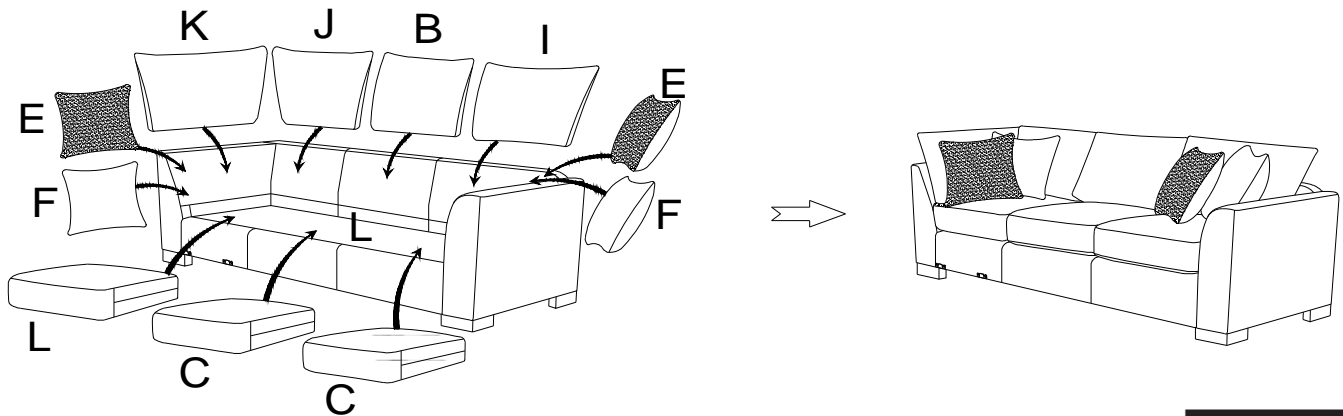


STEP 2

1	 X 4	2	 X 4	3	 X 8
---	---	---	---	---	---



STEP 3

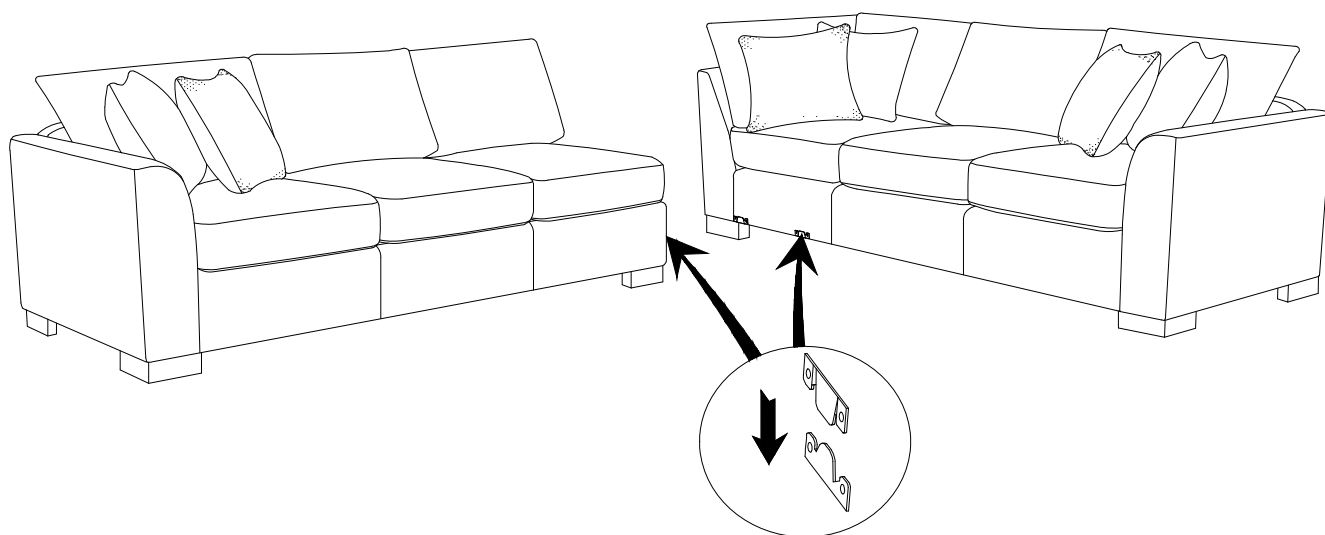


ITEM : 500818

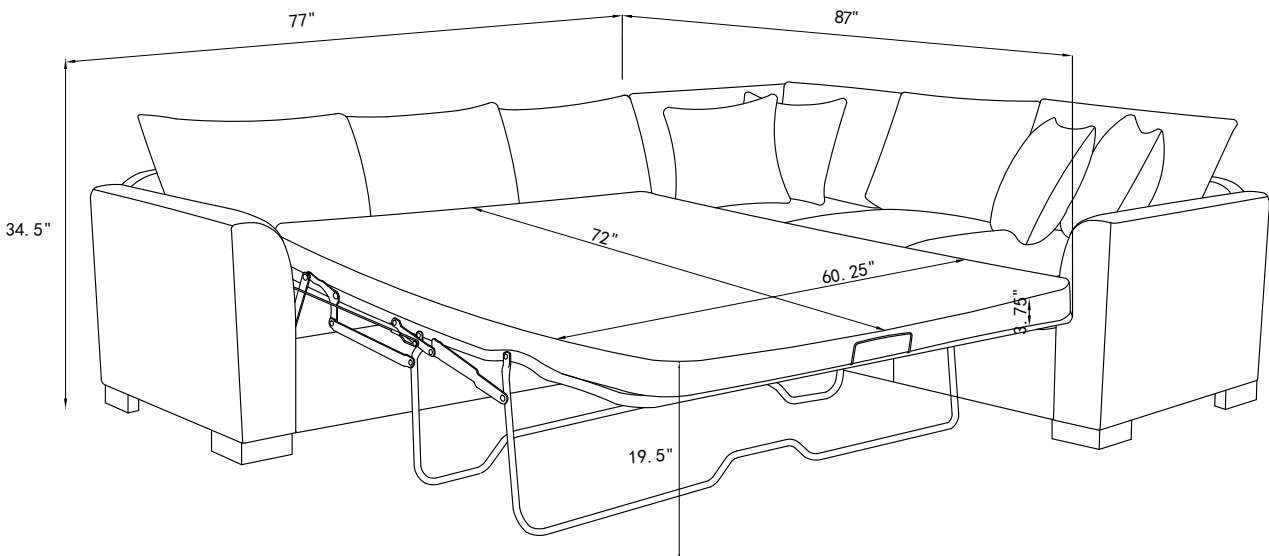
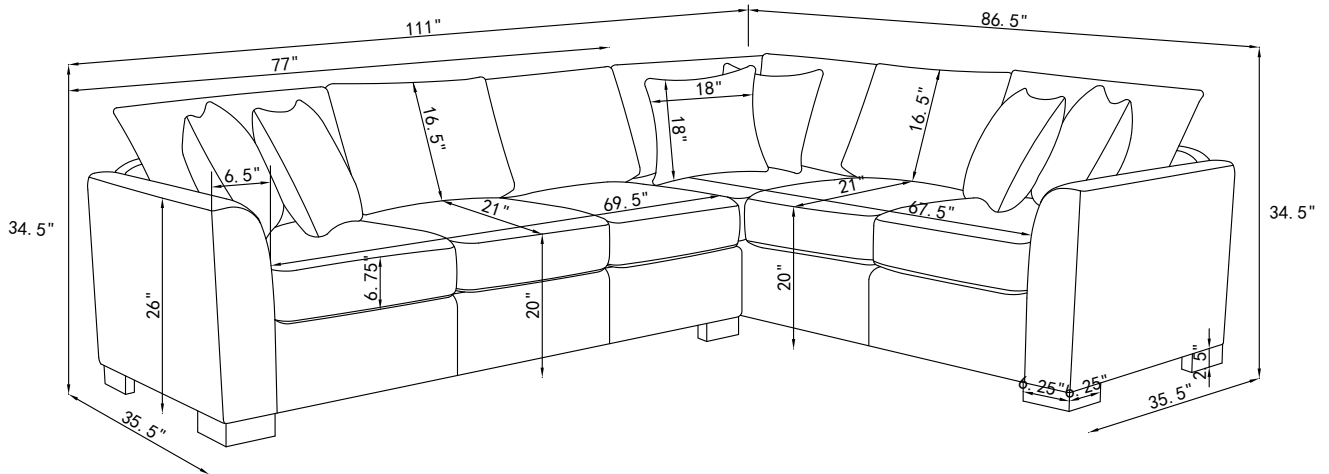
ASSEMBLY INSTRUCTIONS



STEP 1



ITEM : 500818



Note: Dimension tolerance $\pm 5\%$

