



ASSEMBLY INSTRUCTIONS

COASTER FINE FURNITURE



Fine Furniture for every stage of life

509041
SOFA

REVISION 0: 08/21/2024

PAGE 1 OF 4

COASTERFURNITURE.COM

ITEM: 509041

ASSEMBLY INSTRUCTIONS

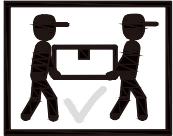
ASSEMBLY TIPS:

1. Remove hardware from box and sort by size.
2. Please check to see that all hardware and parts are present prior to start of assembly.
3. Please follow attached instructions in the same sequence as numbered to assure fast & easy assembly.



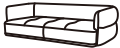



WARNING!

1. Don't attempt to repair or modify parts that are broken or defective. Please contact the store immediately.
2. This product is for home use only and not intended for commercial establishments.






ASSEMBLY TIME 10 MINUTES

PARTS IDENTIFICATION

A	SOFA BASE		1PC	B	SOFA BACK CUSHION		2PCS
C	LEG		4PCS	C	MIDDLE LEG		1PC

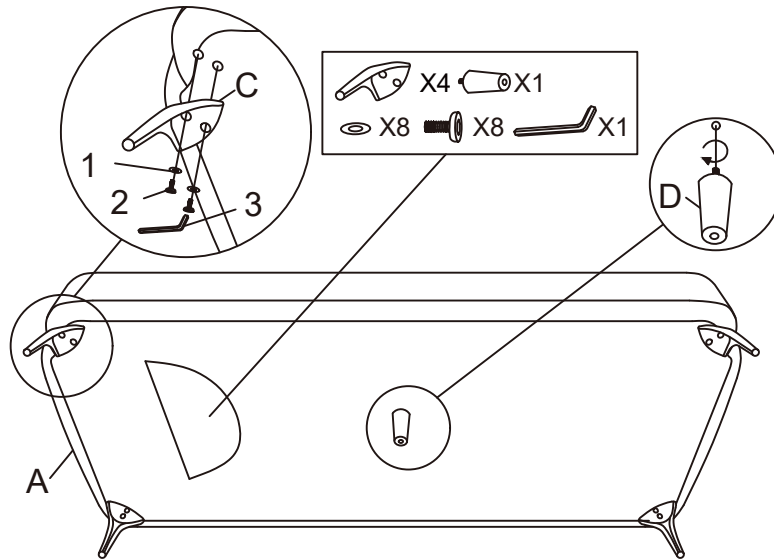
Z HAREWARE IDENTIFICATION

1	WASHER M6-SR		8 PCS	2	BOLT (M6*30-GD)		8 PCS
3	ALLEN KEY (M6-GD)		1 PC				

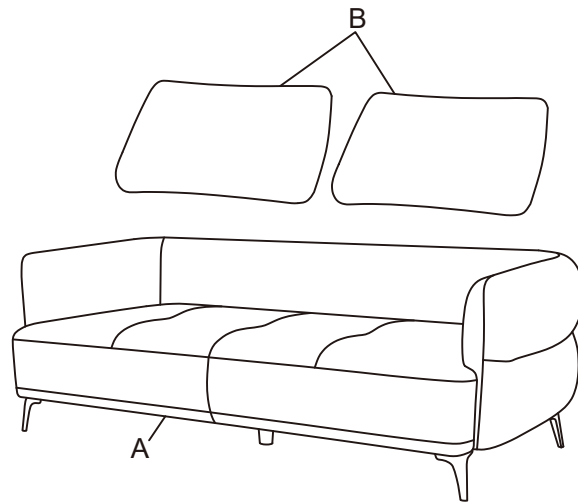
ITEM: 509041



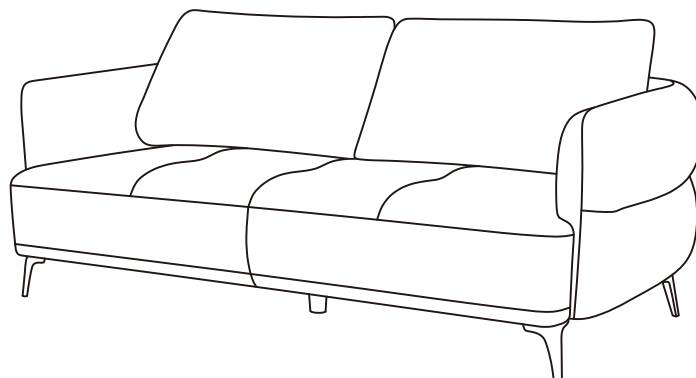
ASSEMBLY INSTRUCTIONS
STEP 1



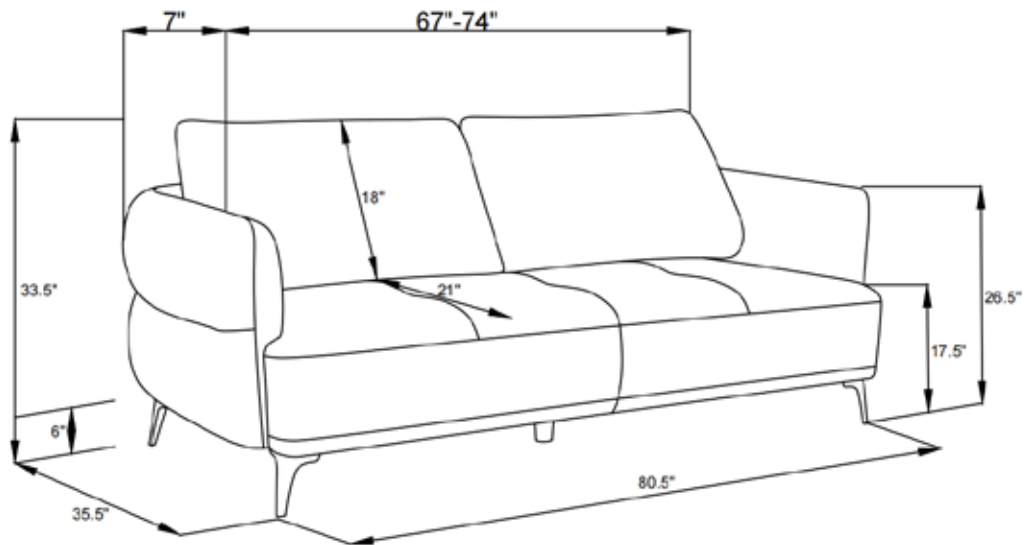
STEP 2



STEP 3



ITEM: 509041



Note: Dimension tolerance $\pm 5\%$





ASSEMBLY INSTRUCTIONS COASTER FINE FURNITURE



Fine Furniture for every stage of life

ITEM: 509042

ASSEMBLY INSTRUCTIONS

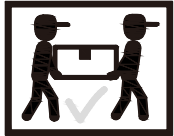
ASSEMBLY TIPS:

1. Remove hardware from box and sort by size.
2. Please check to see that all hardware and parts are present prior to start of assembly.
3. Please follow attached instructions in the same sequence as numbered to assure fast & easy assembly.



WARNING!

1. Don't attempt to repair or modify parts that are broken or defective. Please contact the store immediately.
2. This product is for home use only and not intended for commercial establishments.



ASSEMBLY TIME 10 MINUTES



PARTS IDENTIFICATION

A LOVESEAT BASE



1PC

B LOVESEAT BACK
CUSHION



2PCS

C LEG



4PCS

Z HAREWARE IDENTIFICATION

1 WASHER
M6-SR



8 PCS

2 BOLT
(M6*30-GD)



8 PCS

3 ALLEN KEY
(M6-GD)



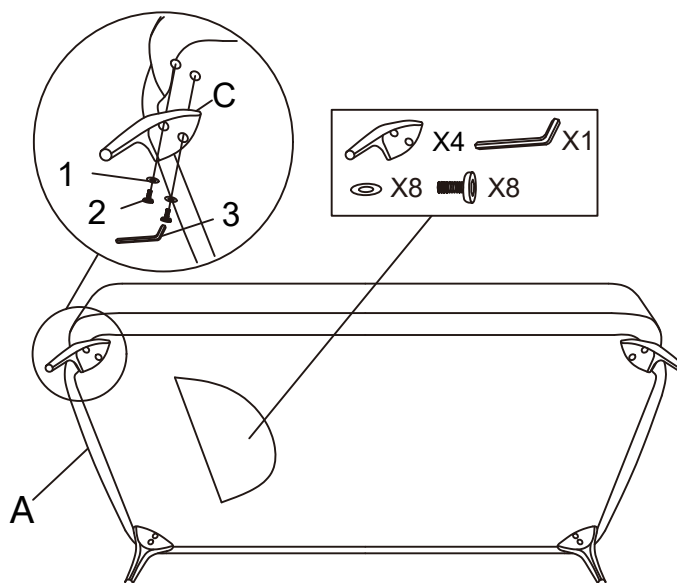
1 PC

ITEM: 509042

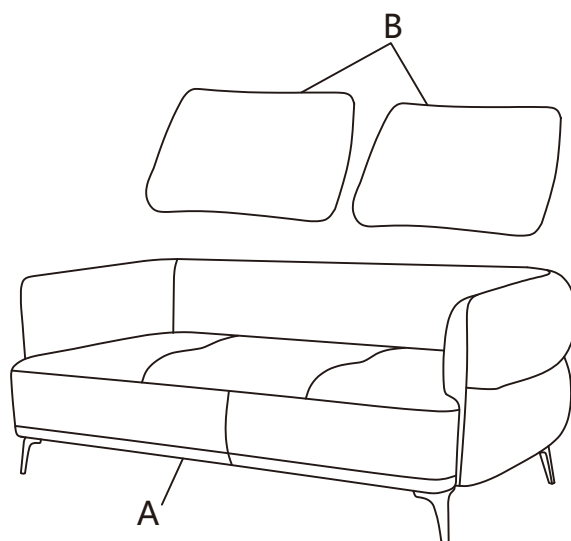


ASSEMBLY INSTRUCTIONS

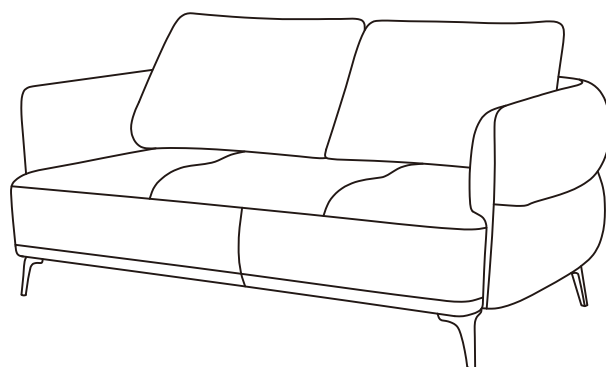
STEP 1



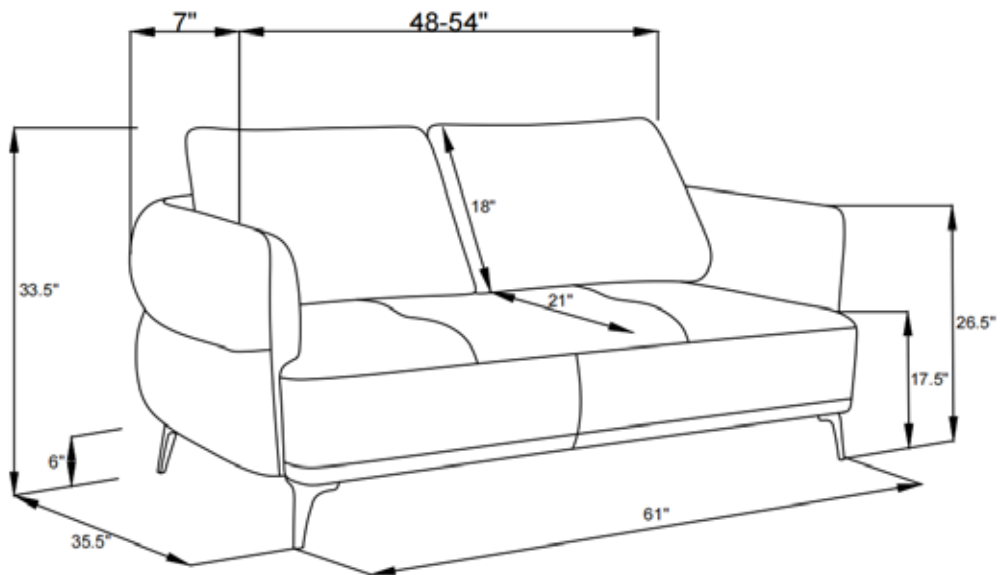
STEP 2



STEP 3



ITEM: 509042



Note: Dimension tolerance $\pm 5\%$





ASSEMBLY INSTRUCTIONS COASTER FINE FURNITURE



Fine Furniture for every stage of life

509043
CHAIR

REVISION 0: 08/21/2024

PAGE 1 OF 4

COASTERFURNITURE.COM

ITEM: 509043

ASSEMBLY INSTRUCTIONS

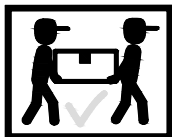
ASSEMBLY TIPS:

1. Remove hardware from box and sort by size.
2. Please check to see that all hardware and parts are present prior to start of assembly.
3. Please follow attached instructions in the same sequence as numbered to assure fast & easy assembly.



WARNING!

1. Don't attempt to repair or modify parts that are broken or defective. Please contact the store immediately.
2. This product is for home use only and not intended for commercial establishments.

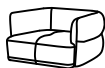


ASSEMBLY TIME 10 MINUTES



PARTS IDENTIFICATION

A CHAIR BASE



1PC

B CHAIR BACK CUSHION



1PC

C LEG



4PCS

Z HAREWARE IDENTIFICATION

1 WASHER
(M6-SR)



8 PCS

2 BOLT
(M6*30-GD)



8 PCS

3 ALLEN KEY
(M6-GD)



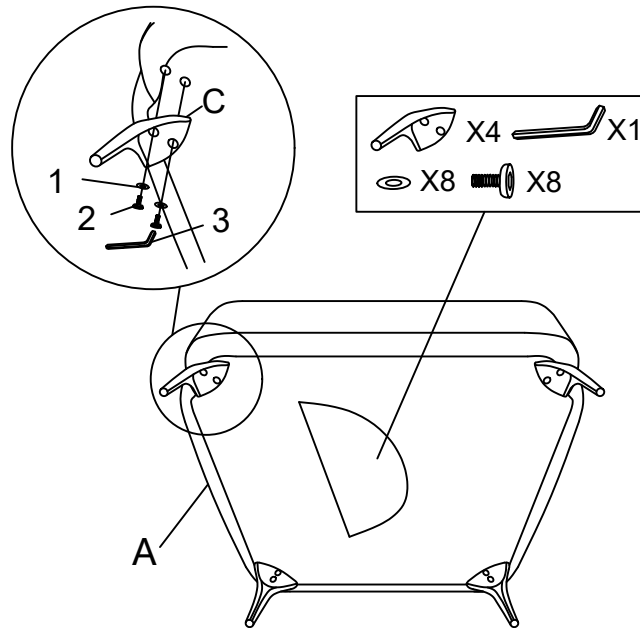
1 PC

ITEM: 509043

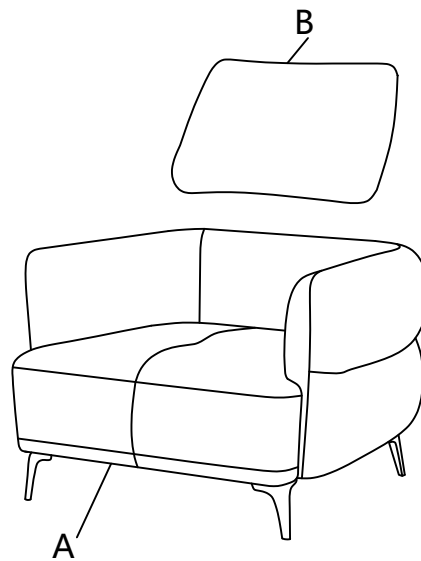


ASSEMBLY INSTRUCTIONS

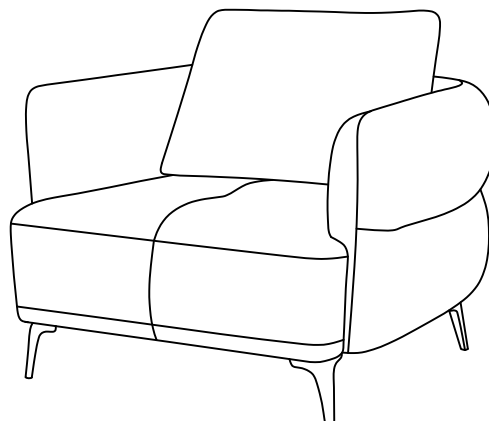
STEP 1



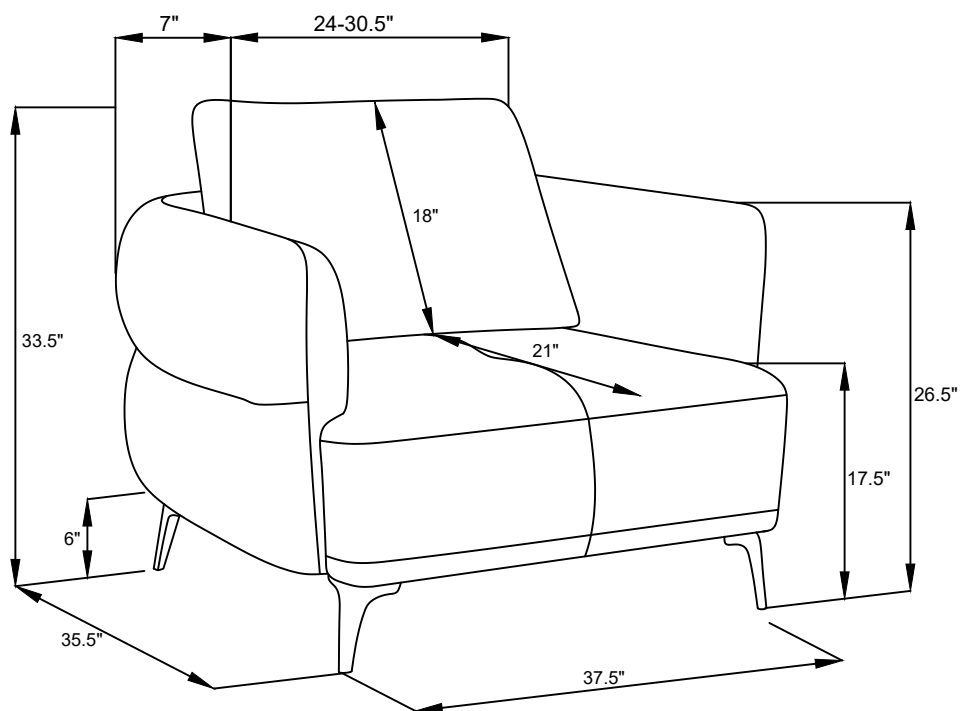
STEP 2



STEP 3



ITEM: 509043



Note: Dimension tolerance $\pm 5\%$

