

ASSEMBLY INSTRUCTIONS
COASTER FINE FURNITURE



Fine Furniture for every stage of life

724113
TV STAND

ITEM: 724113



ASSEMBLY INSTRUCTIONS

ASSEMBLY TIPS:

1. Remove hardware from box and sort by size.
2. Please check to see that all hardware and parts are present prior to start of assembly.
3. Please follow attached instructions in the same sequence as numbered to assure fast & easy assembly.



WARNING!

1. Don't attempt to repair or modify parts that are broken or defective. Please contact the store immediately.
2. This product is for home use only and not intended for commercial establishments.



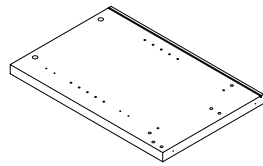
ASSEMBLY TIME

60 MINUTES

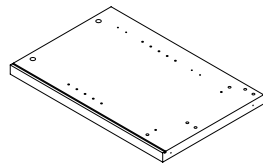
MAX TV SIZE: 85"

PARTS IDENTIFICATION

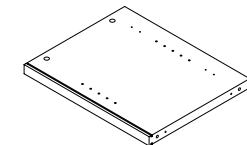
A LEFT SIDE PANEL 1 PC



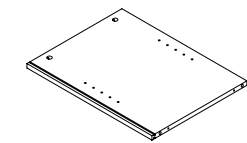
B RIGHT SIDE PANEL 1 PC



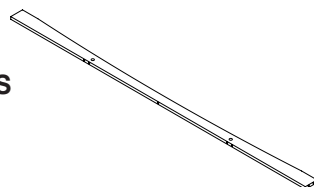
C MIDDLE DIVIDER PANEL 1 PC



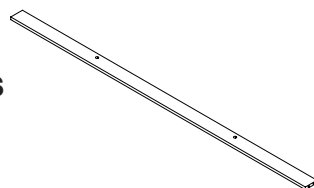
D DIVIDER PANEL 2 PCS



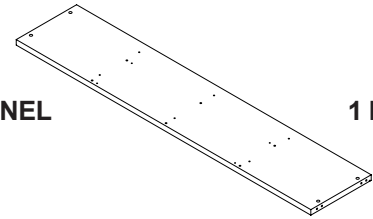
E FRONT CROSS BRACE 1 PC



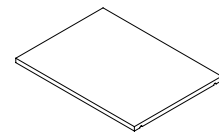
F BACK CROSS BRACE 1 PC



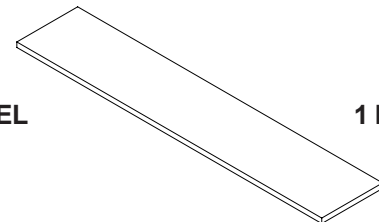
G BOTTOM PANEL 1 PC



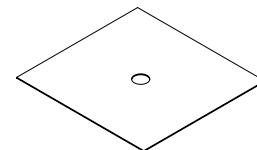
H ADJUSTABLE SHELF 4 PCS



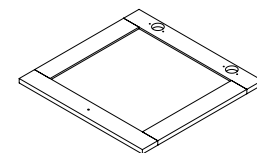
I TOP PANEL 1 PC



J BACK PANEL 4 PCS



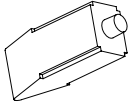
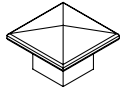
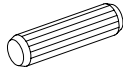

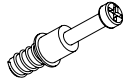
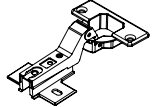


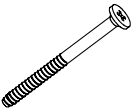
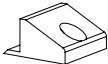
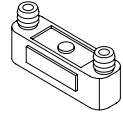

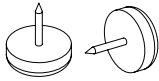
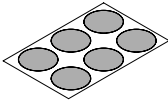
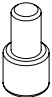
K DOOR 4 PCS



NOTE:

Phillips head screw driver is required in the assembly process; however, manufacturer does not provide this item.

HARDWARE IDENTIFICATION

Z							
NO	DESCRIPTION	FIGURE	Q'TY	NO	DESCRIPTION	FIGURE	Q'TY
1	GLUE 40g		1 PC	9	HANDLE BLK		4 PCS
2	WOODEN DOWEL Ø8x30mm		34 PCS	10	HANDLE BOLT BLK		4 PCS
3	CAM BOLT Ø7x35.5mm SR		18 PCS	11	HINGE Ø35mm SR		8 PCS
4	CAM LOCK Ø15x12mm SR		18 PCS	12	HINGE SCREW Ø4x15mm SR		32 PCS
5	BOLT Ø9.5x55mm SR		6 PCS	13	FIXER		6 PCS
6	DOOR CATCH		4 PCS	14	FIXER SCREW Ø3x19mm SR		6 PCS
7	PLASTIC FEET Ø15mm		6 PCS	15	STICKER Ø20mm		3 PCS
8	PIN FOR ADJUSTABLE SHELF Ø4.9x15mm SR		16 PCS				

Z11 not included in blister packaging.

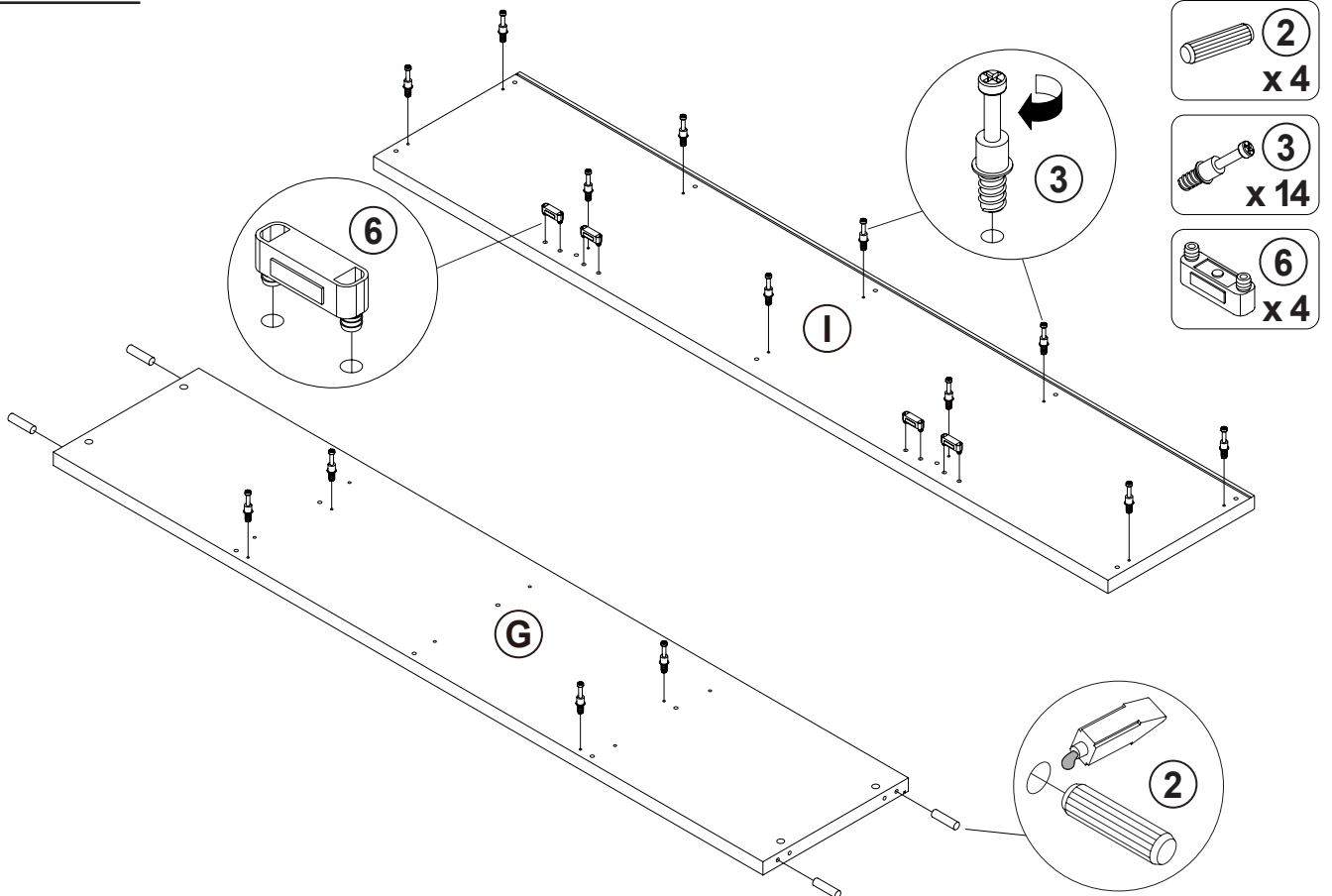
NOTE:

Phillips head screw driver is required in the assembly process; however, manufacturer does not provide this item.

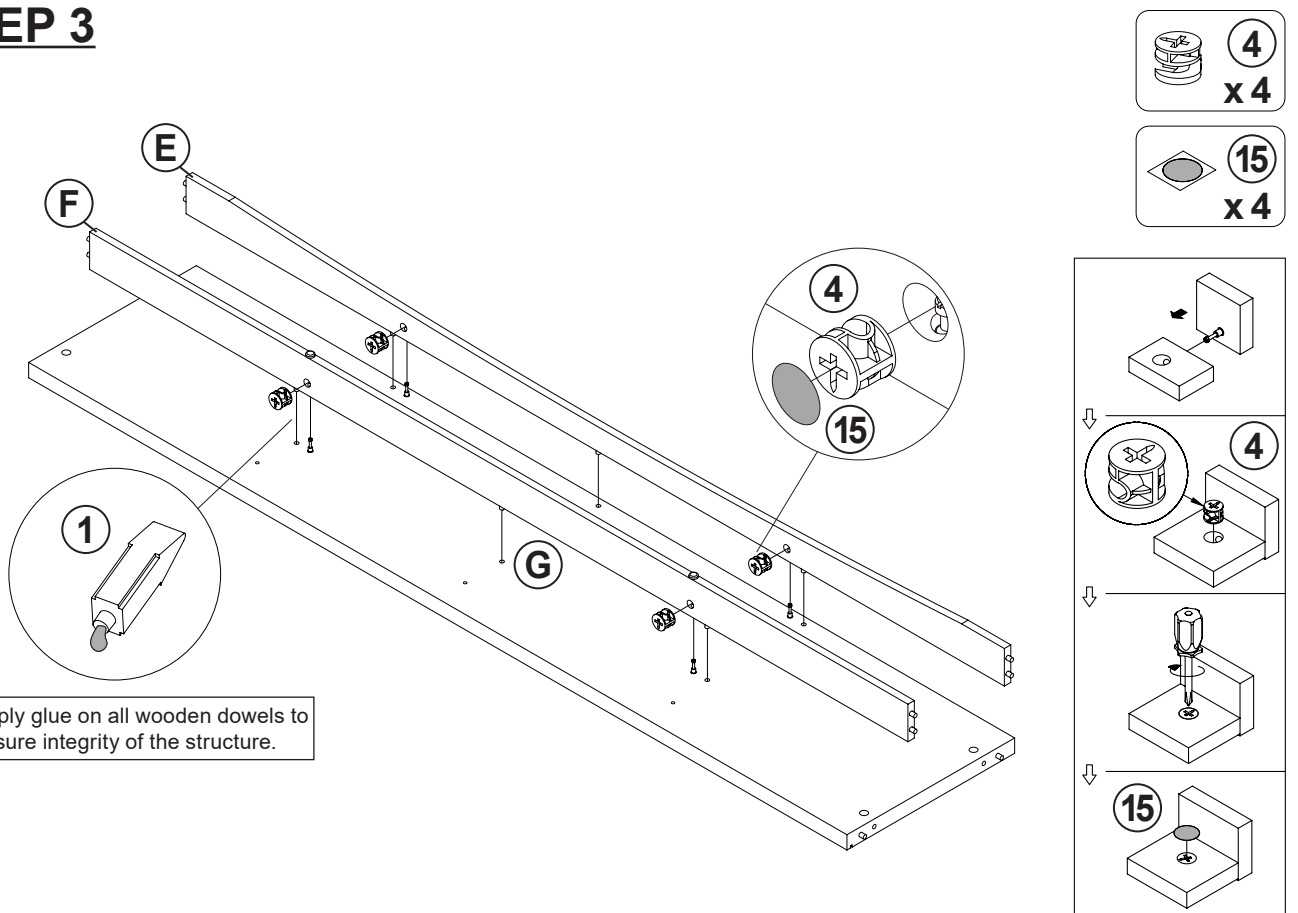
ITEM: 724113

COASTER
FINE FURNITURE

STEP 2



STEP 3



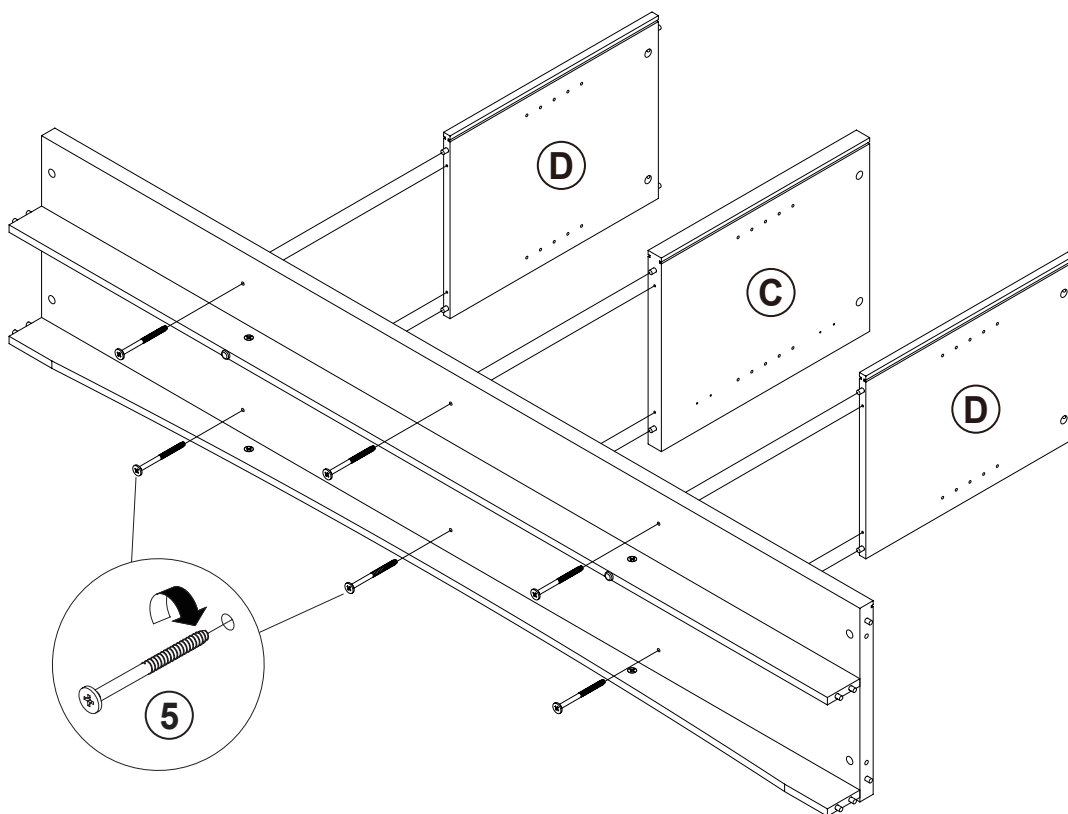
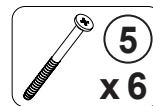
Apply glue on all wooden dowels to ensure integrity of the structure.

ITEM: 724113

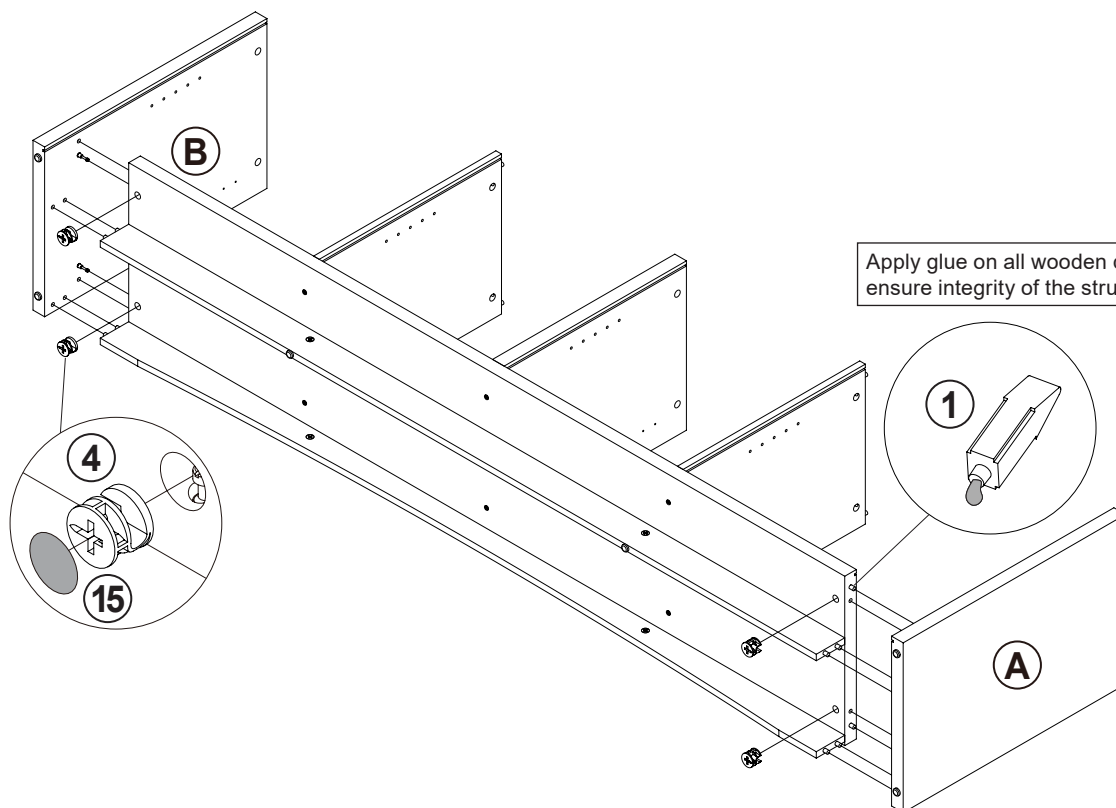
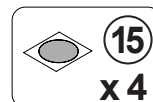
COASTER[®]

FINE FURNITURE

STEP 4

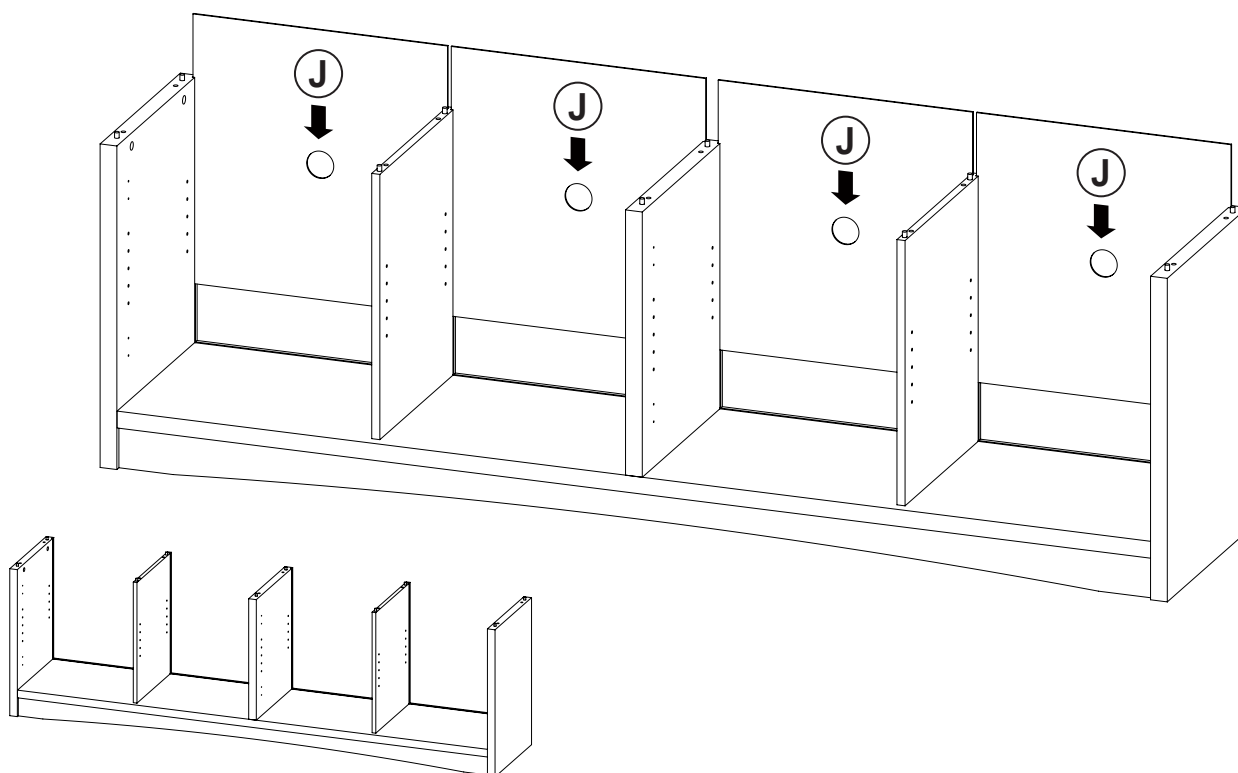


STEP 5



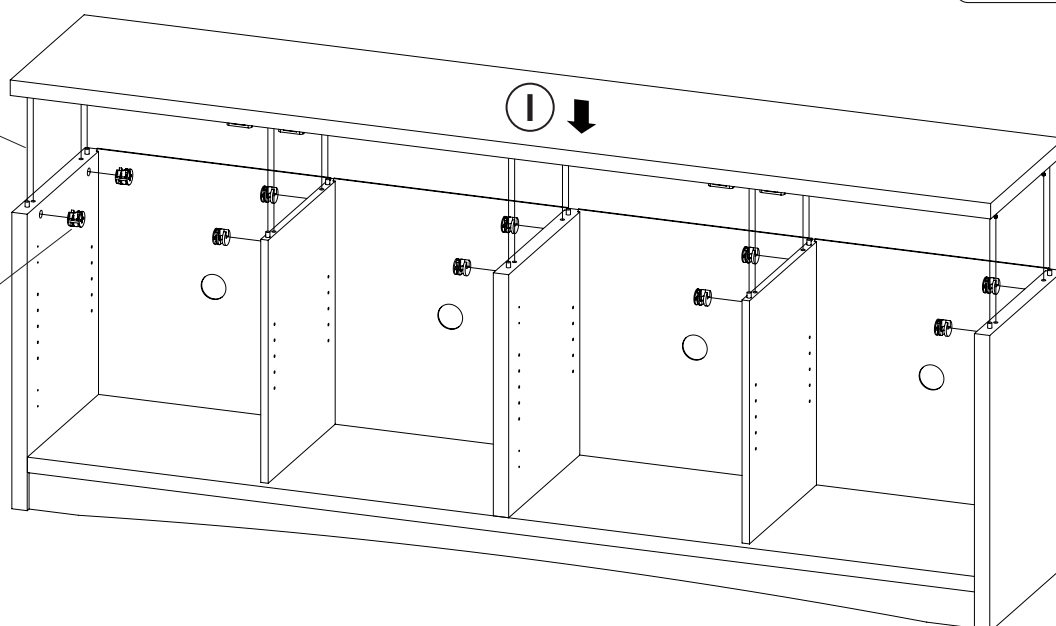
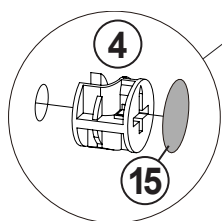
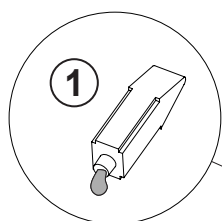
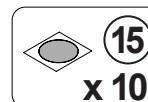
ITEM: 724113

STEP 6



STEP 7

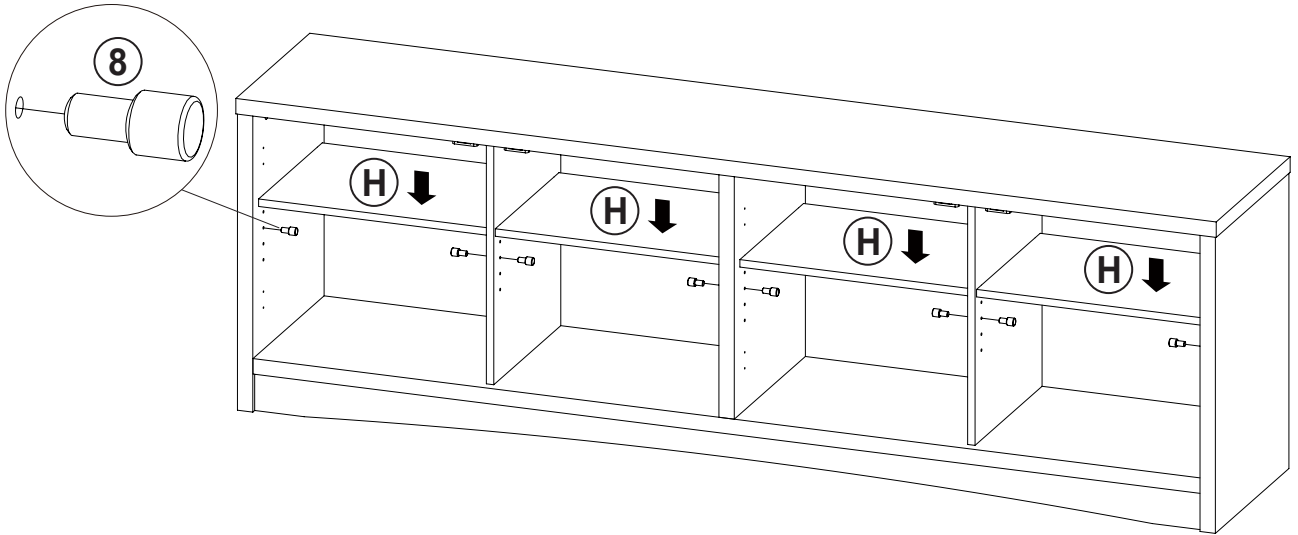
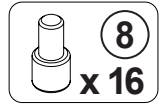
Apply glue on all wooden dowels to ensure integrity of the structure.



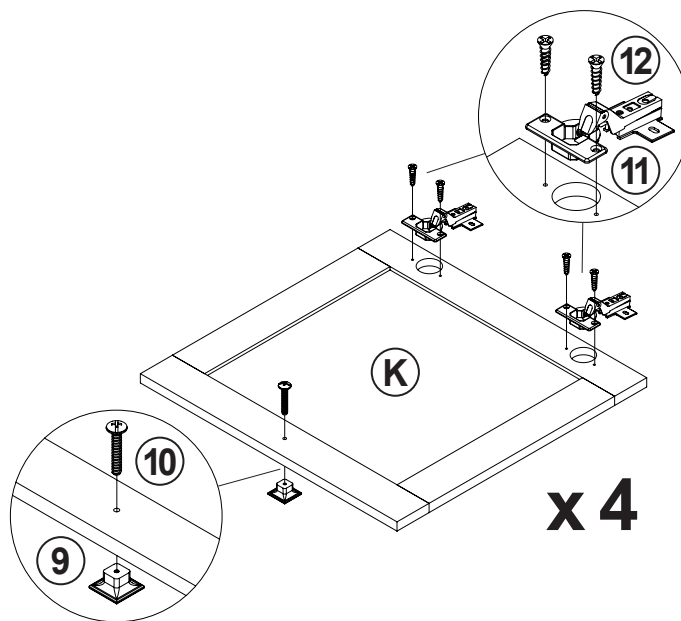
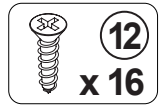
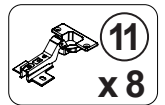
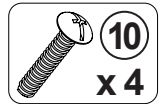
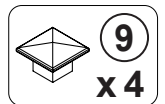
ITEM: 724113

COASTER
FINE FURNITURE

STEP 8

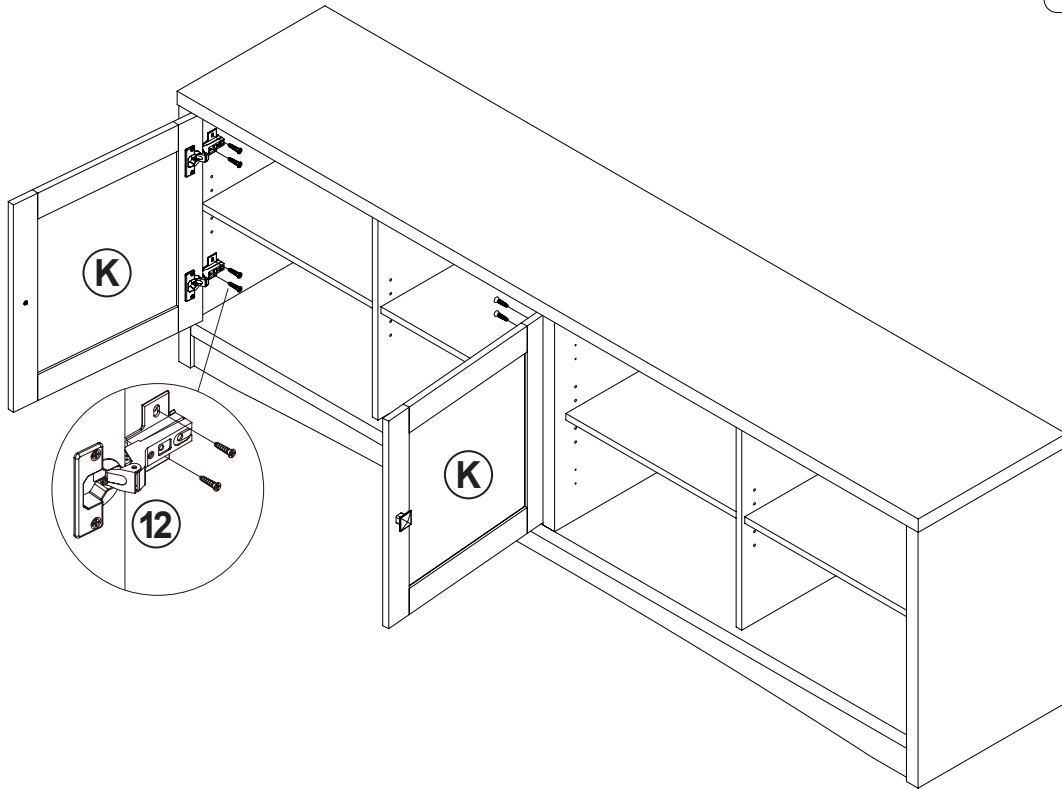
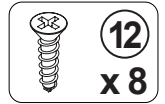


STEP 9

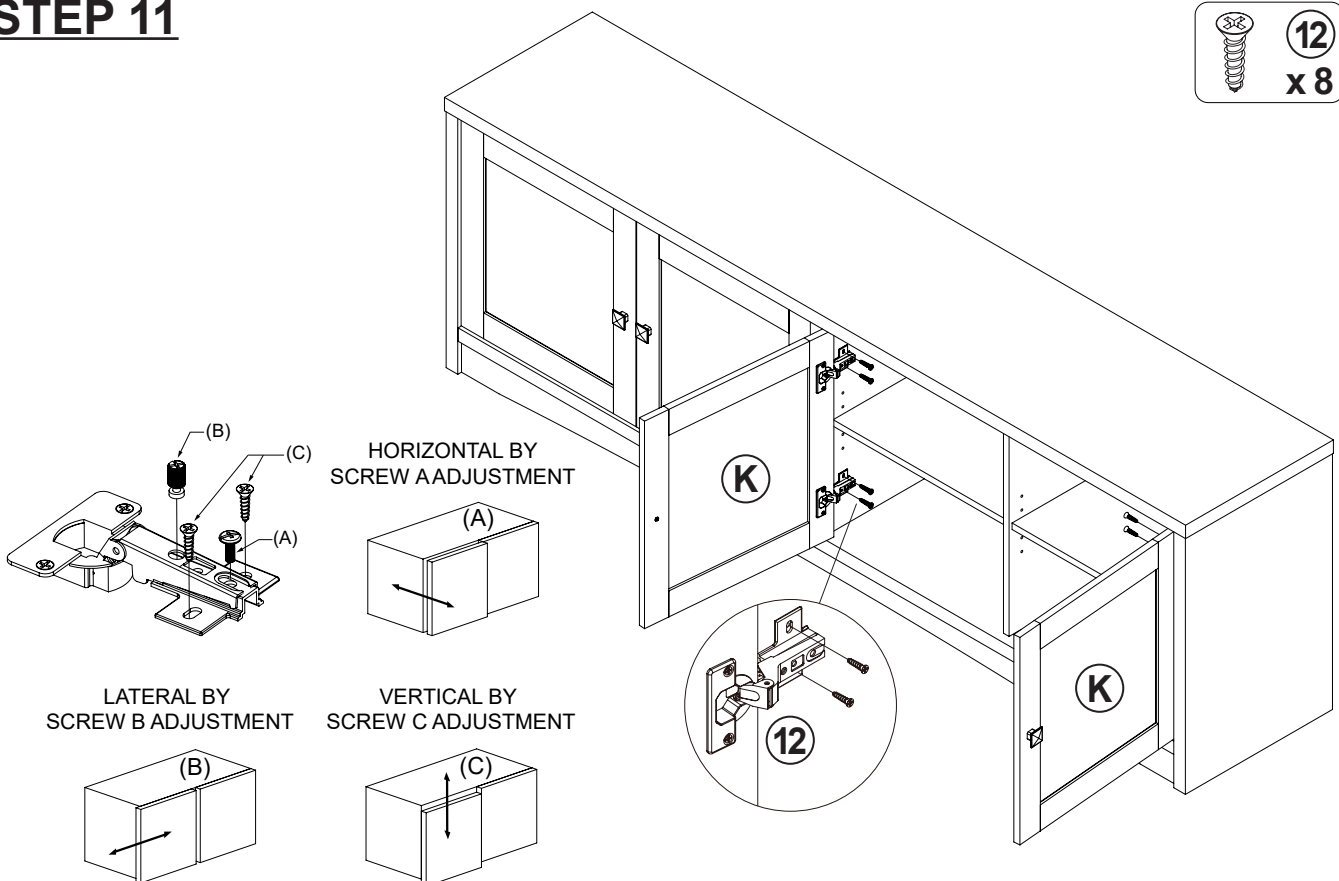
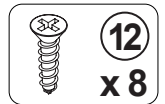


ITEM: 724113

STEP 10



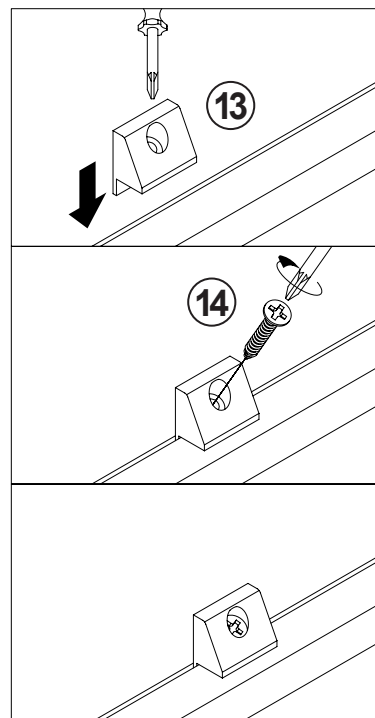
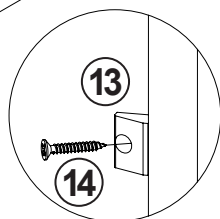
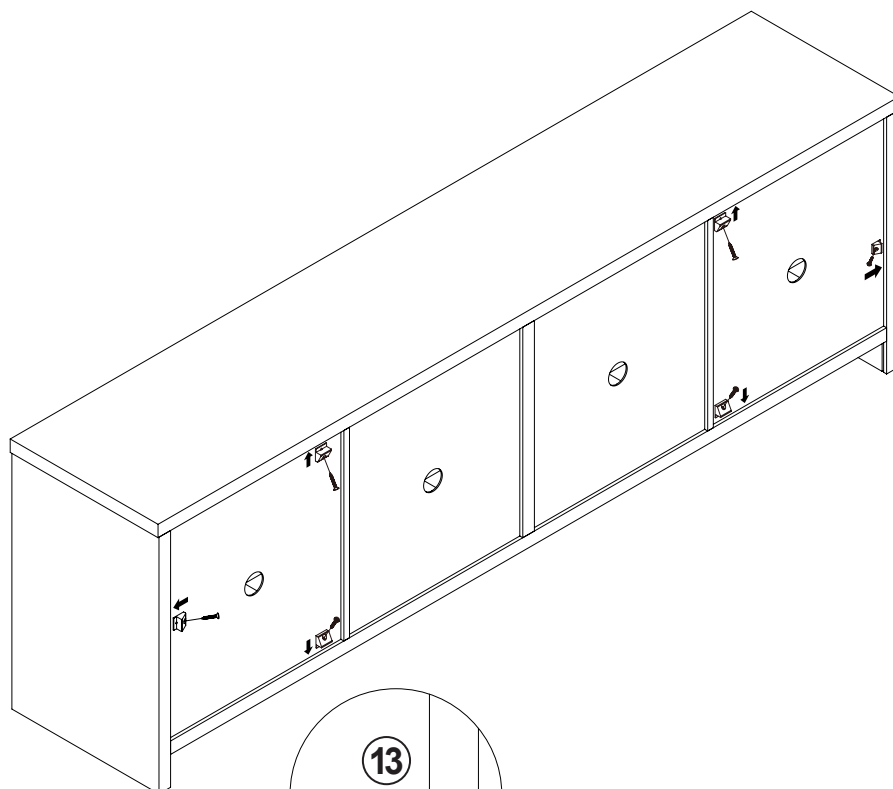
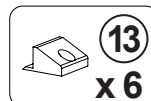
STEP 11



ITEM: 724113

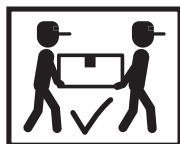
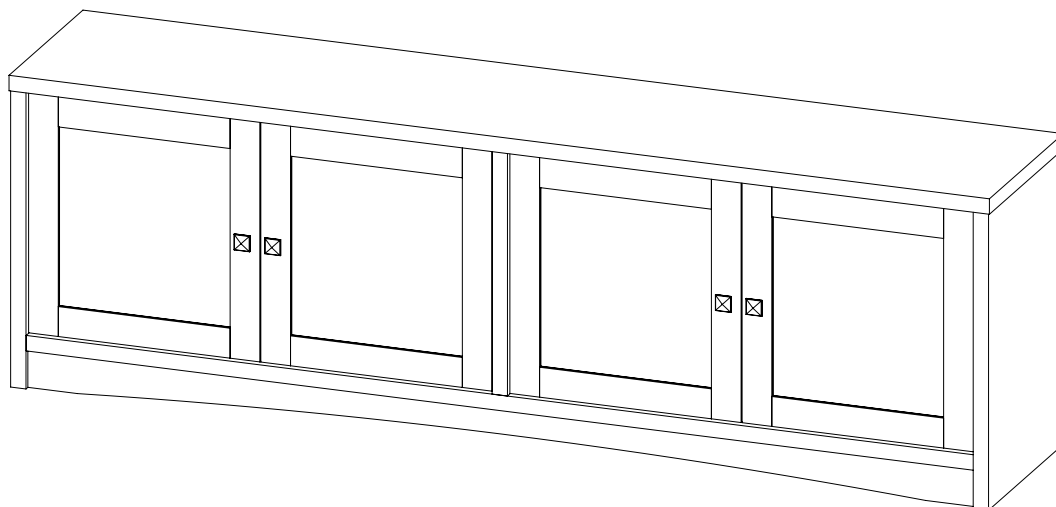
COASTER
FINE FURNITURE

STEP 12

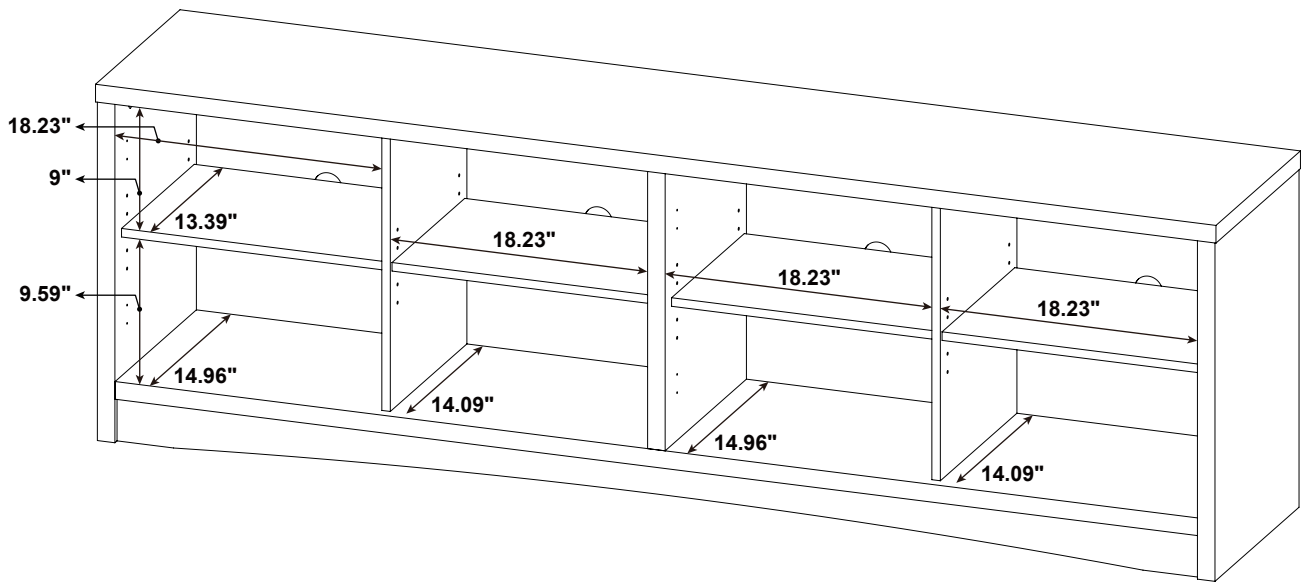
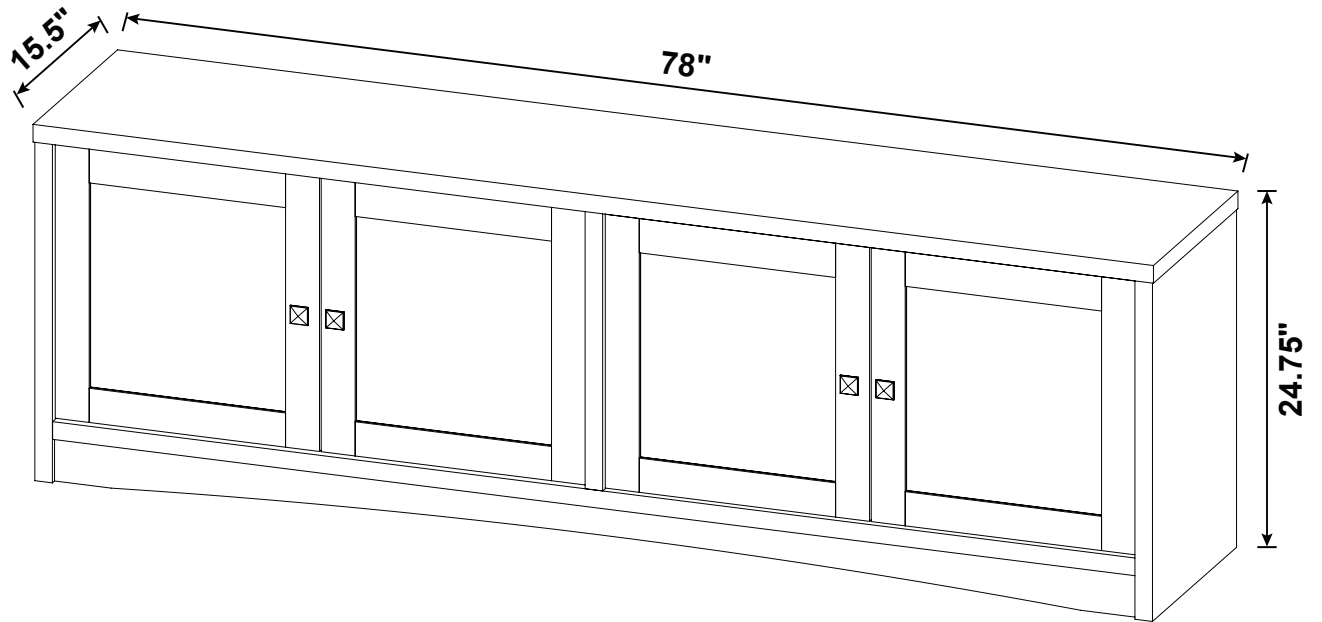


STEP 13

COMPLETE



ITEM: 724113



Note : Dimension tolerance $\pm 5\%$

ASSEMBLY INSTRUCTIONS
COASTER FINE FURNITURE



Fine Furniture for every stage of life

724114
MEDIA TOWER

ITEM: 724114

ASSEMBLY INSTRUCTIONS

ASSEMBLY TIPS:

1. Remove hardware from box and sort by size.
2. Please check to see that all hardware and parts are present prior to start of assembly.
3. Please follow attached instructions in the same sequence as numbered to assure fast & easy assembly.



WARNING!

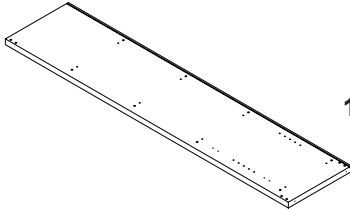
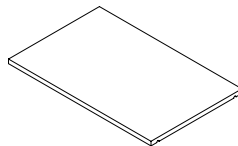
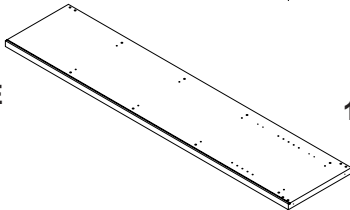
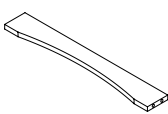
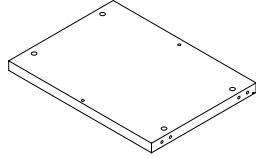
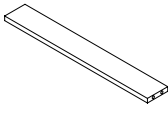
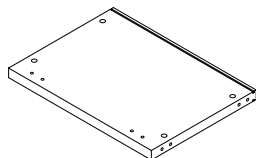
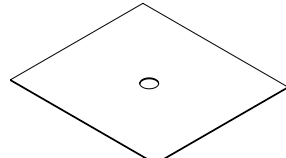
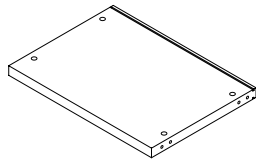
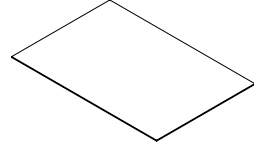
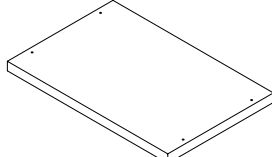
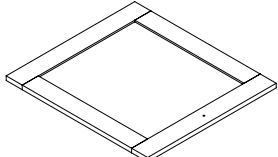
1. Don't attempt to repair or modify parts that are broken or defective. Please contact the store immediately.
2. This product is for home use only and not intended for commercial establishments.



ASSEMBLY TIME

60 MINUTES

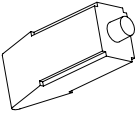
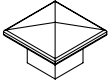
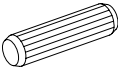

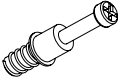
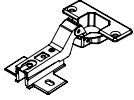


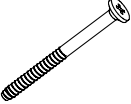
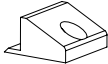
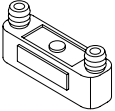

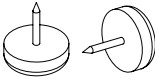
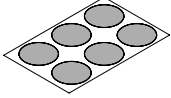
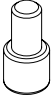
PARTS IDENTIFICATION

A	LEFT SIDE PANEL		1 PC	G	ADJUSTABLE SHELF		1 PC
B	RIGHT SIDE PANEL		1 PC	H	FRONT TOP AND BOTTOM CROSSBAR		2 PCS
C	BOTTOM PANEL		1 PC	I	BACK CROSS BRACE		1 PC
D	LOWER CROSS PANEL		1 PC	J	LOWER BACK PANEL		1 PC
E	UPPER CROSS PANEL		2 PCS	K	UPPER BACK PANEL		3 PCS
F	TOP PANEL		1 PC	L	DOOR		1 PC

NOTE:

Phillips head screw driver is required in the assembly process; however, manufacturer does not provide this item.

HARDWARE IDENTIFICATION

Z							
NO	DESCRIPTION	FIGURE	Q'TY	NO	DESCRIPTION	FIGURE	Q'TY
1	GLUE 40g		1 PC	9	HANDLE BLK		1 PC
2	WOODEN DOWEL Ø8x30mm		35 PCS	10	HANDLE BOLT BLK		1 PC
3	CAM BOLT Ø7x35.5mm SR		16 PCS	11	HINGE Ø35mm SR		2 PCS
4	CAM LOCK Ø15x12mm SR		16 PCS	12	HINGE SCREW Ø4x15mm SR		8 PCS
5	BOLT Ø9.5x55mm SR		4 PCS	13	FIXER		6 PCS
6	DOOR CATCH		1 PC	14	FIXER SCREW Ø3x19mm SR		6 PCS
7	PLASTIC FEET Ø15mm		4 PCS	15	STICKER Ø20mm		3 PCS
8	PIN FOR ADJUSTABLE SHELF Ø4.9x15mm SR		4 PCS				

Z11 not included in blister packaging.

NOTE:

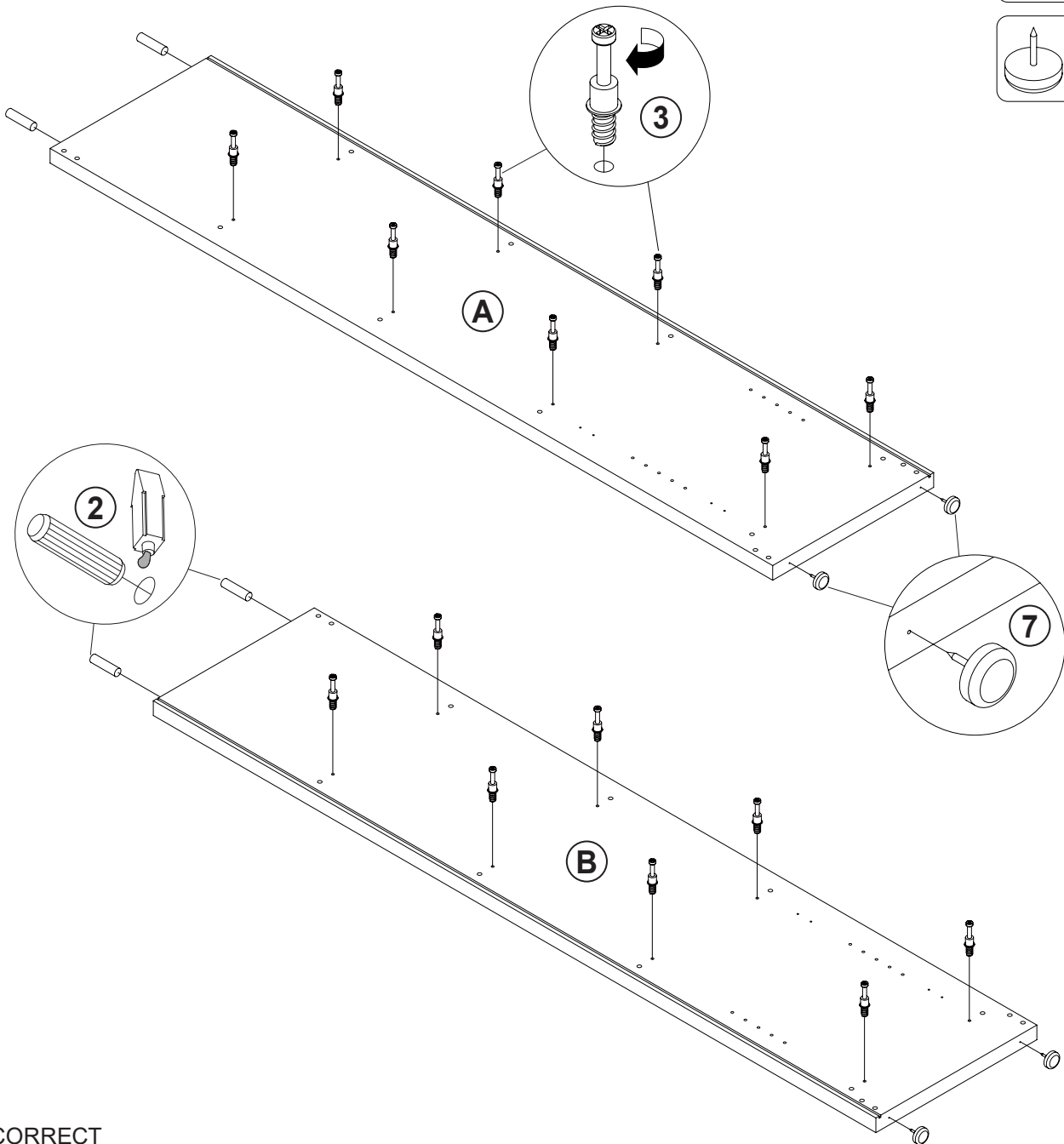
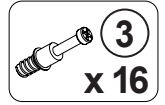
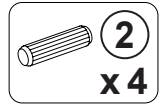
Phillips head screw driver is required in the assembly process; however, manufacturer does not provide this item.

ITEM: 724114

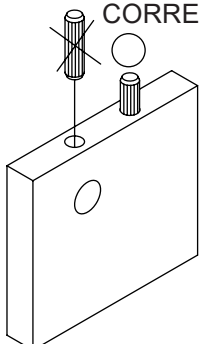
COASTER[®]

FINE FURNITURE

STEP 1



INCORRECT
CORRECT

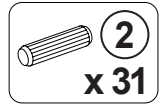


Apply glue on all wooden dowels to ensure integrity of the structure.

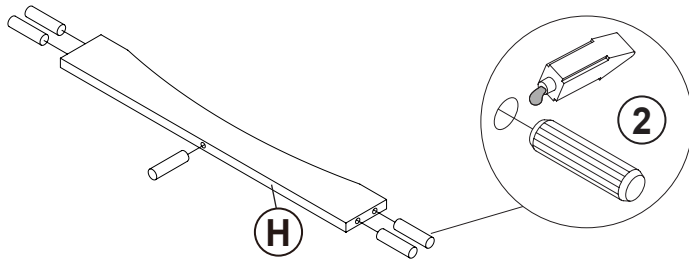
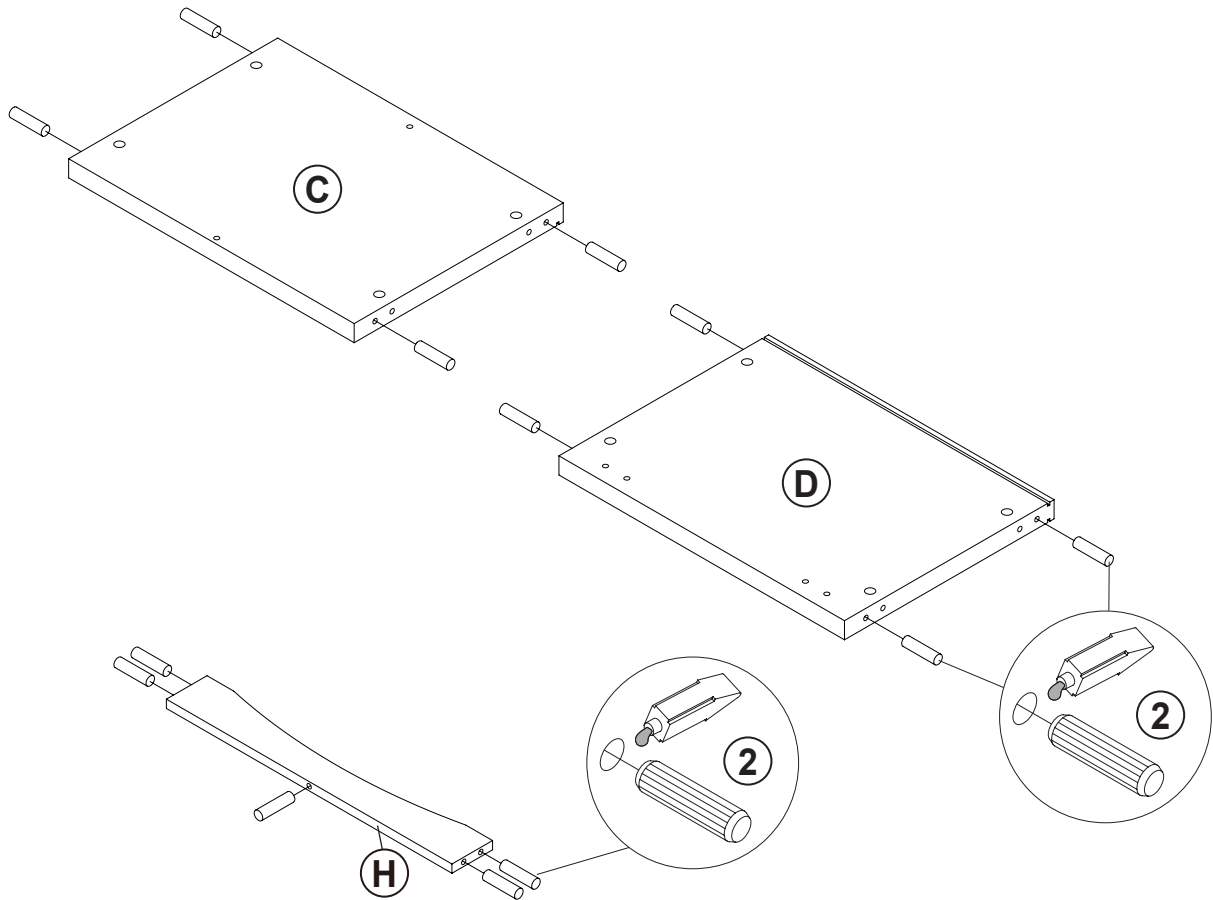
ITEM: 724114

COASTER[®]

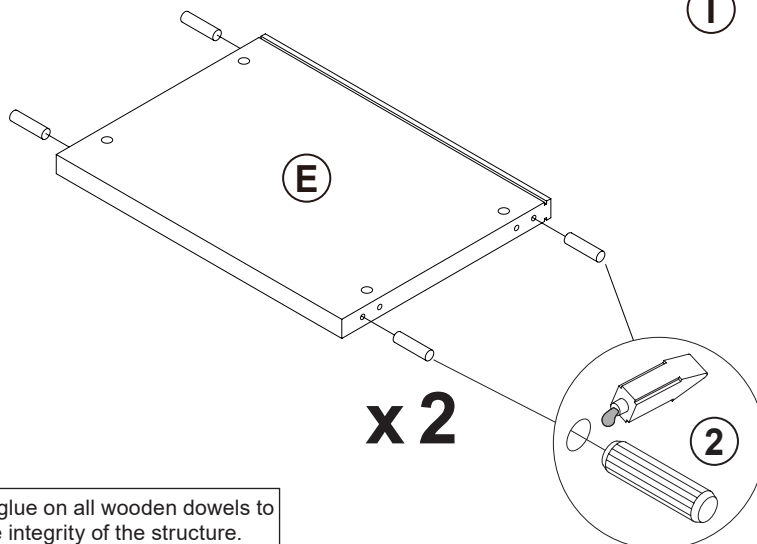
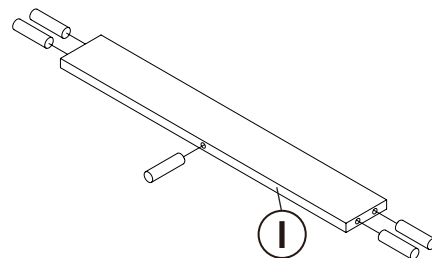
FINE FURNITURE



STEP 2

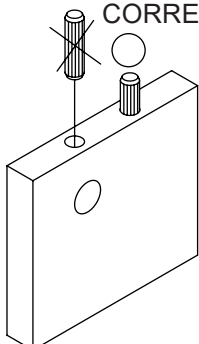


x 2



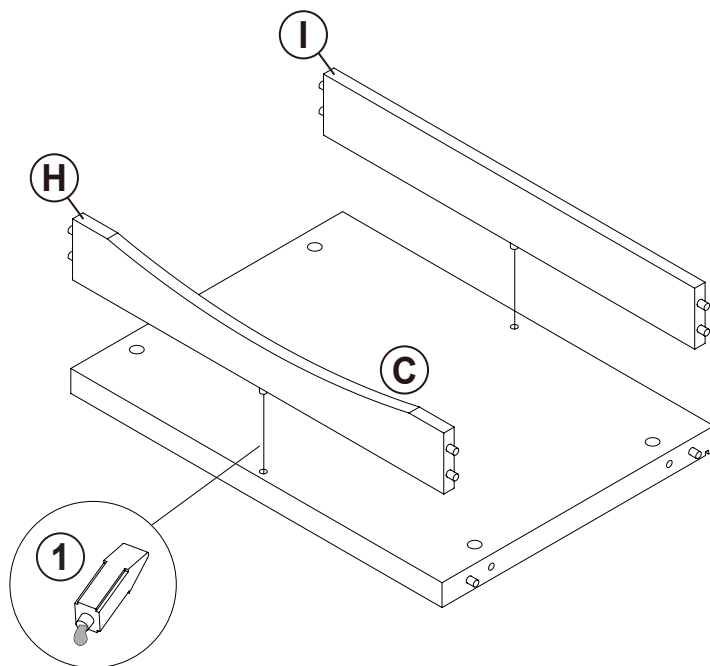
x 2

INCORRECT
CORRECT



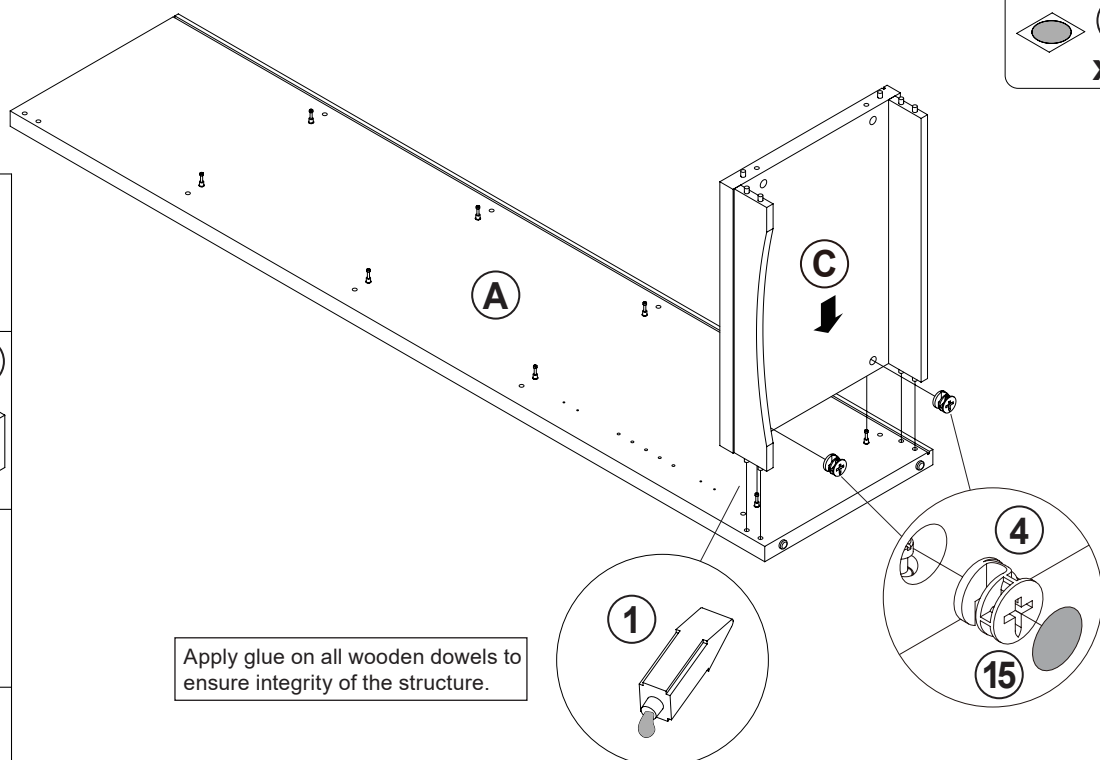
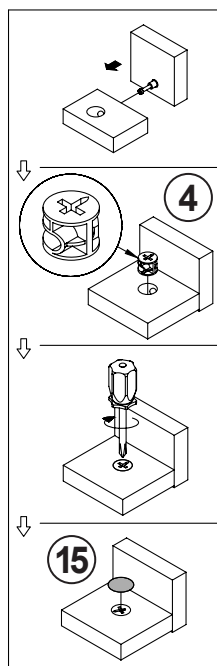
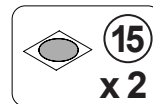
Apply glue on all wooden dowels to ensure integrity of the structure.

STEP 3



Apply glue on all wooden dowels to ensure integrity of the structure.

STEP 4



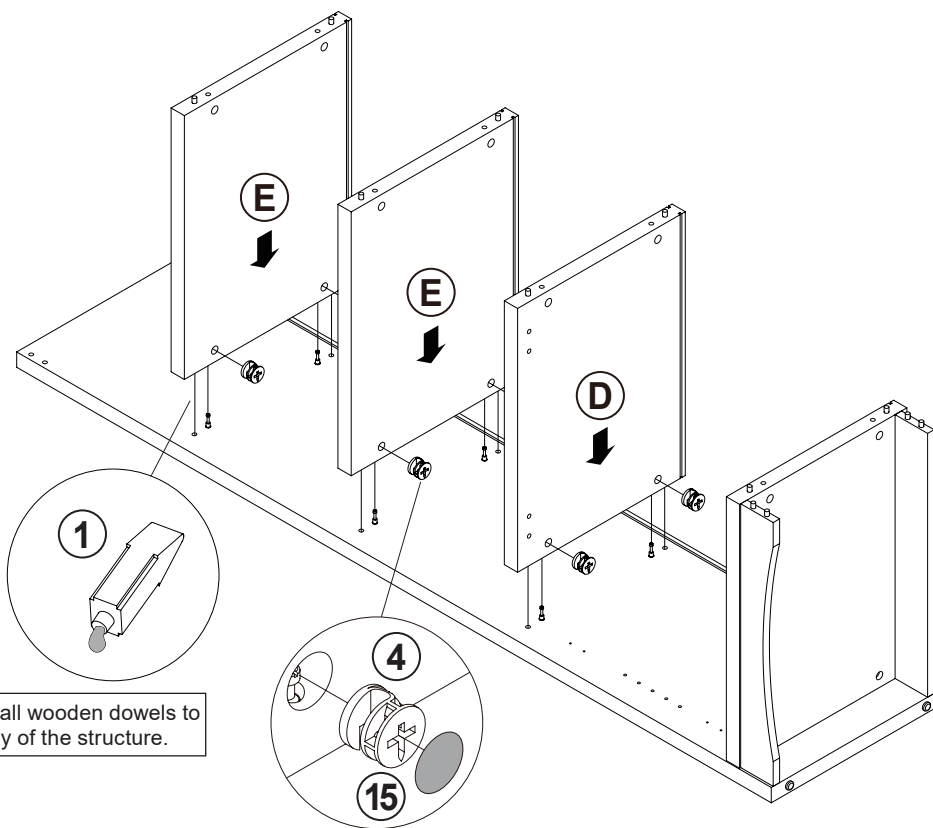
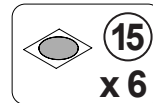
Apply glue on all wooden dowels to ensure integrity of the structure.

ITEM: **724114**

COASTER[®]

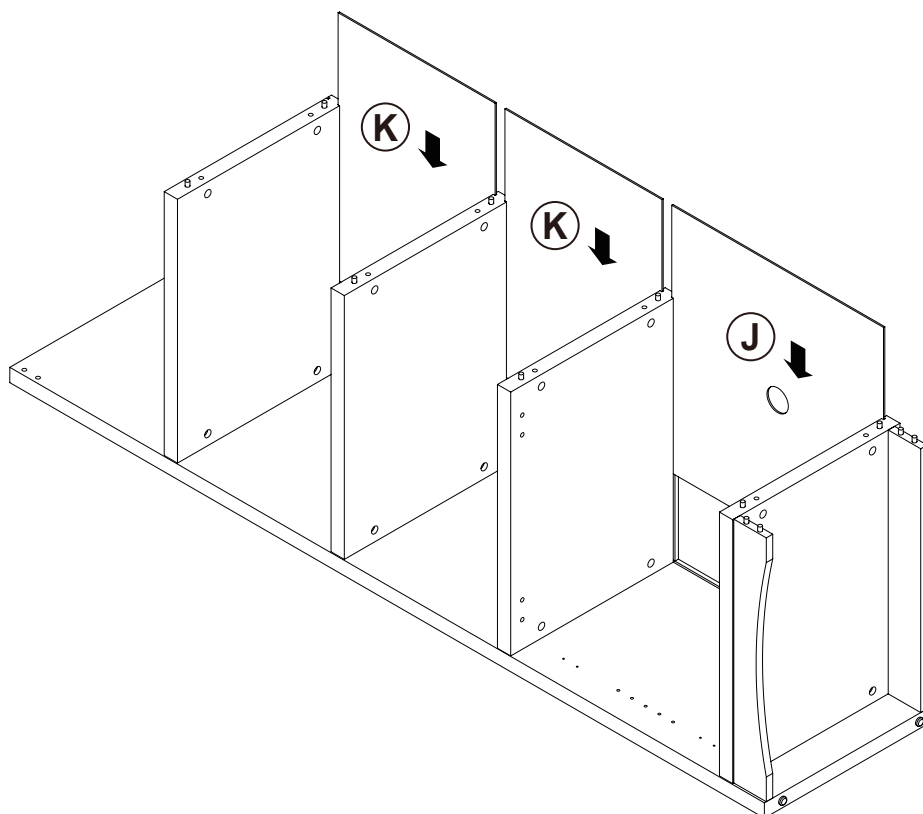
FINE FURNITURE

STEP 5



Apply glue on all wooden dowels to ensure integrity of the structure.

STEP 6

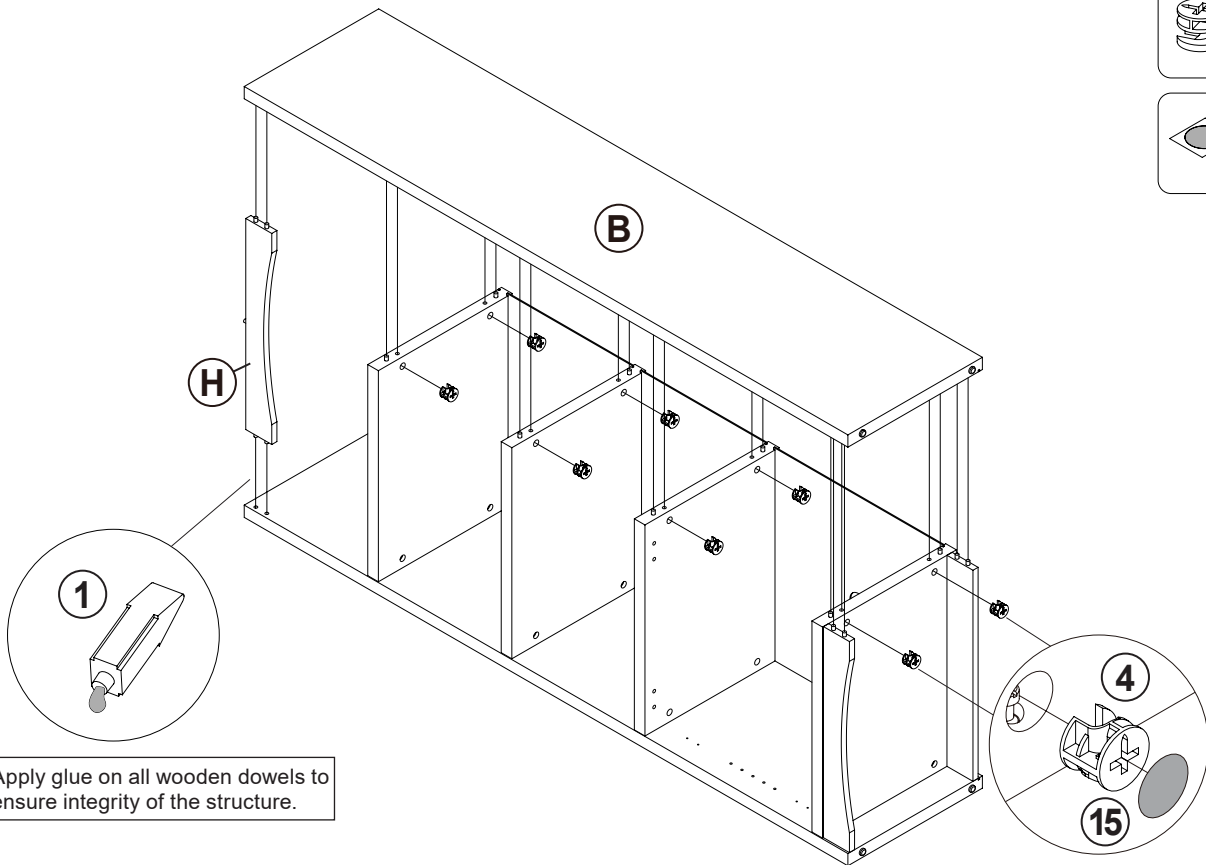
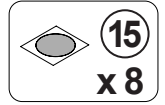
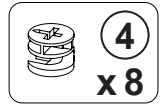


ITEM: 724114

COASTER[®]

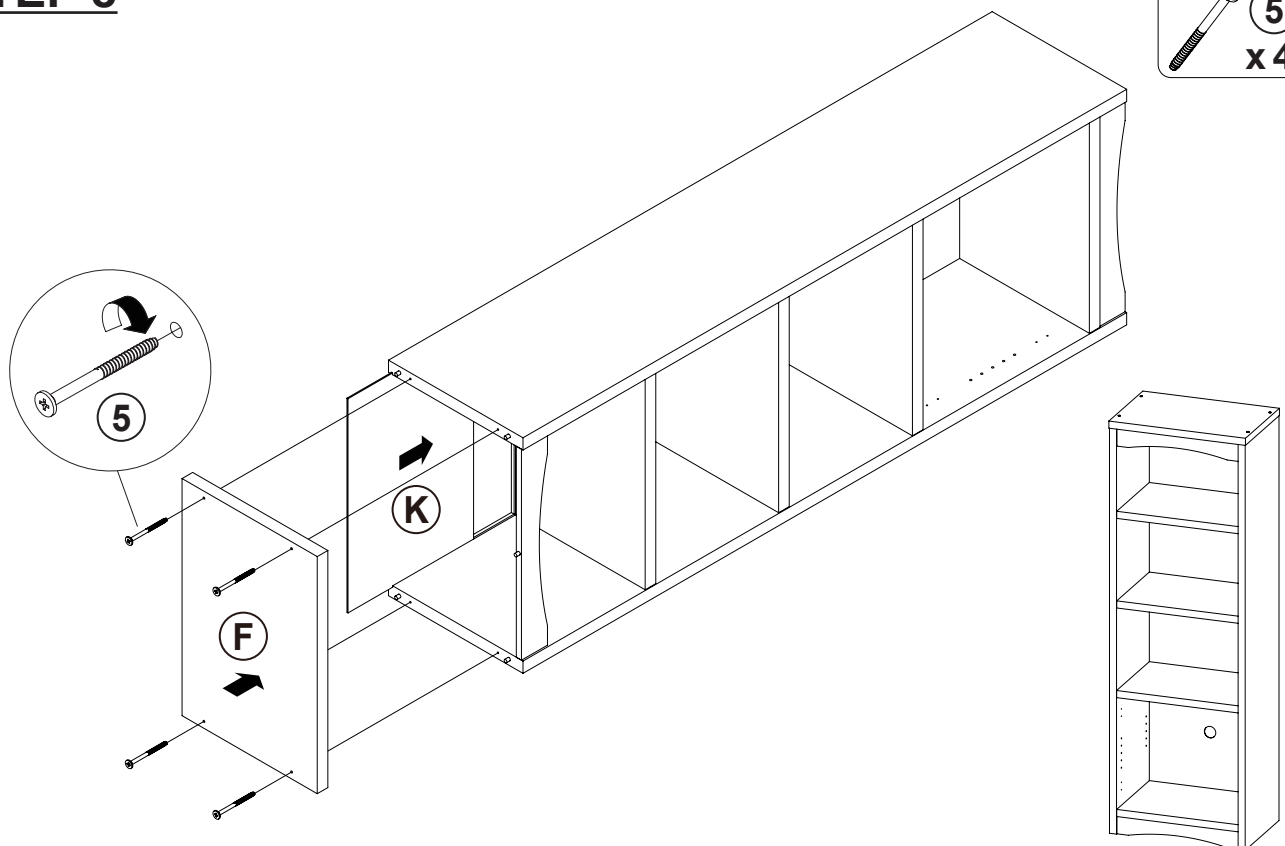
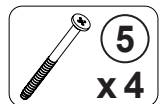
FINE FURNITURE

STEP 7



Apply glue on all wooden dowels to ensure integrity of the structure.

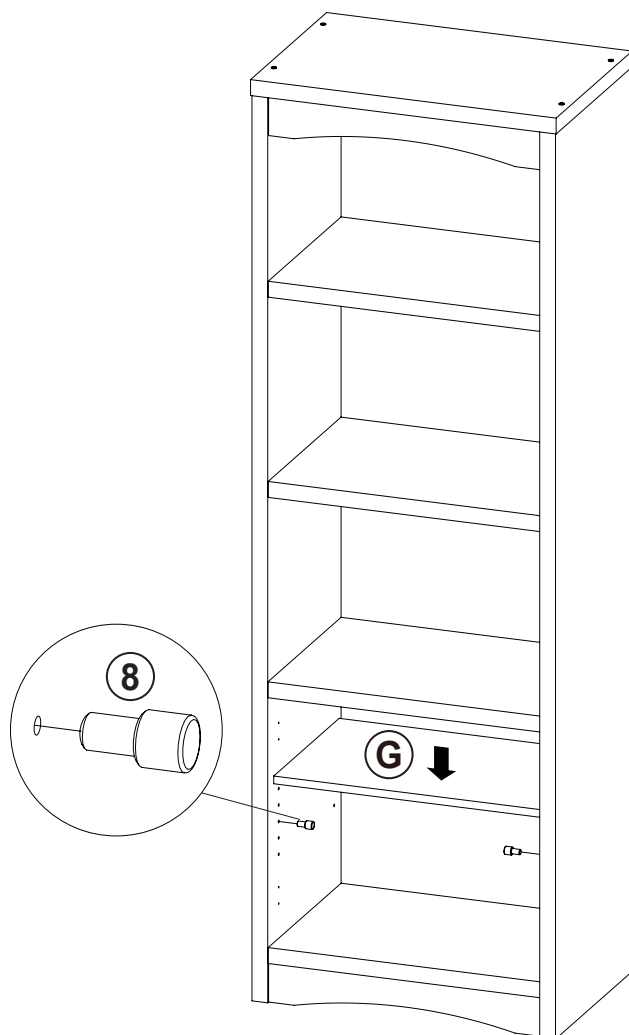
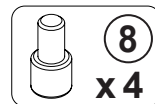
STEP 8



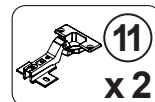
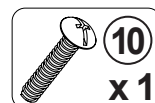
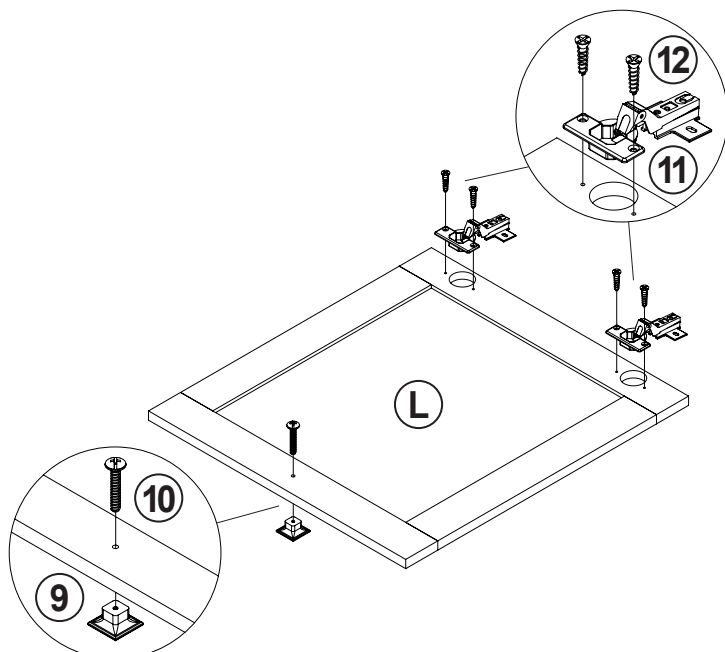
ITEM: 724114

STEP 9

COASTER
FINE FURNITURE



STEP 10



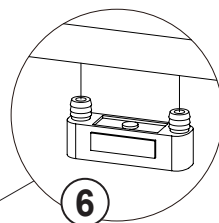
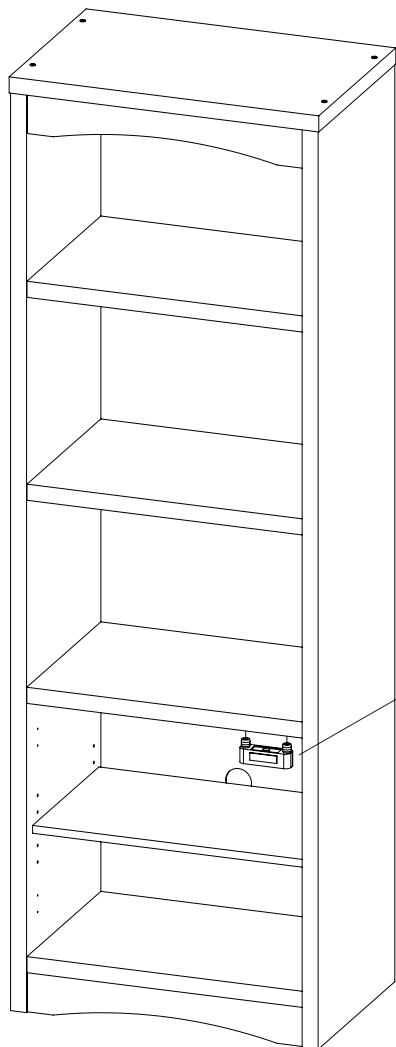
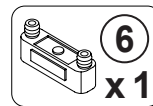
ITEM: 724114

COASTER[®]

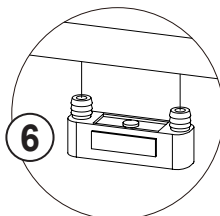
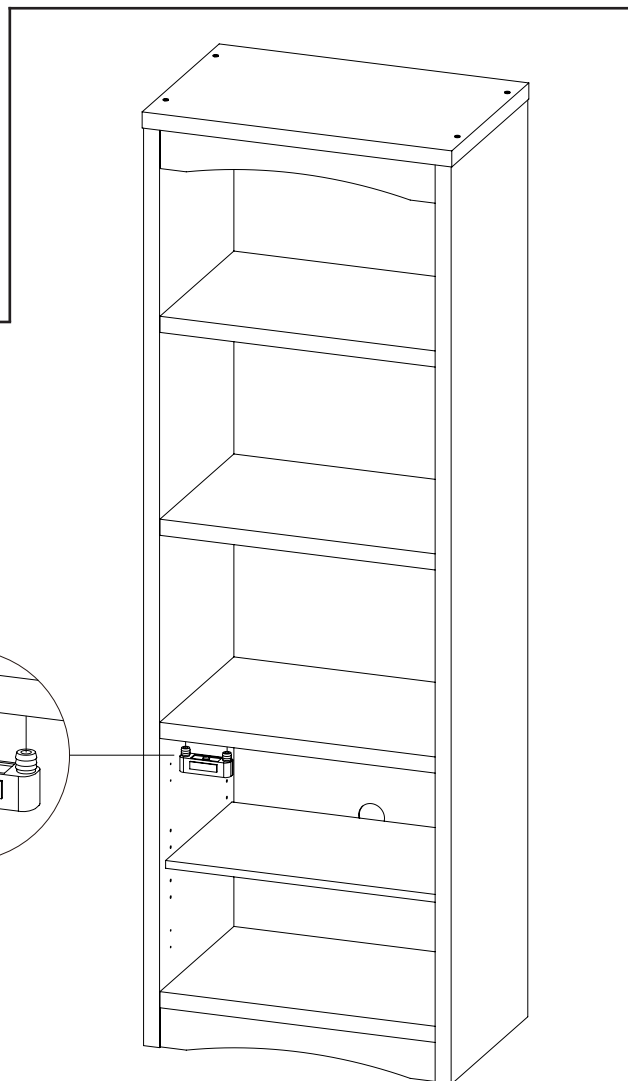
FINE FURNITURE

STEP 11

LEFT



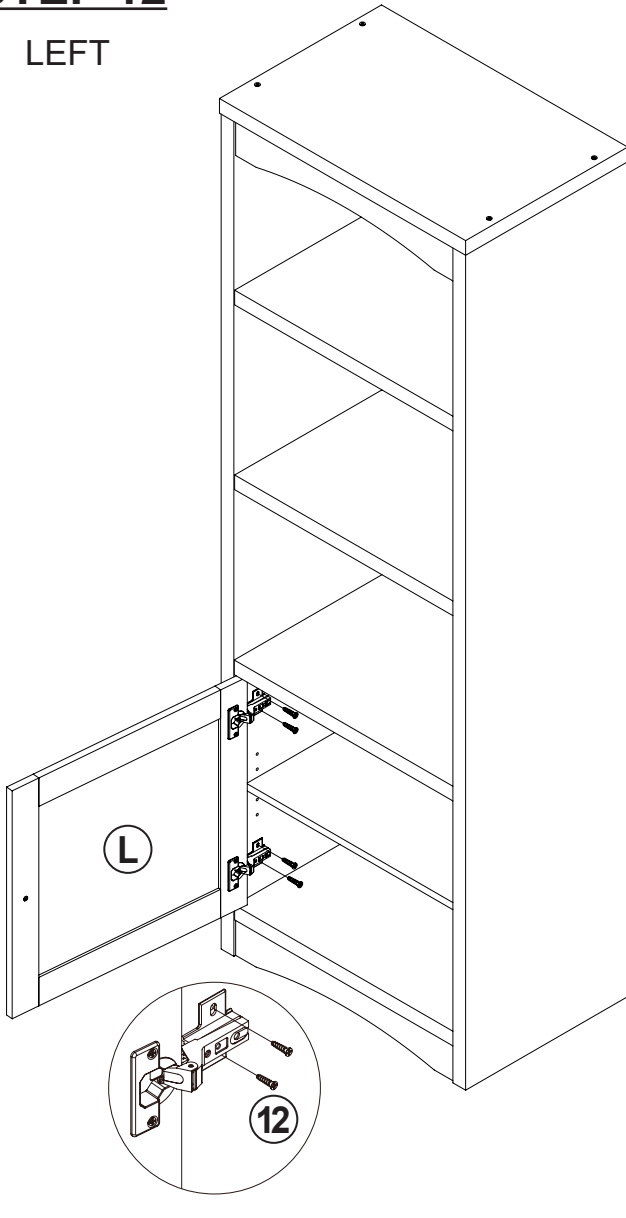
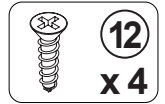
RIGHT



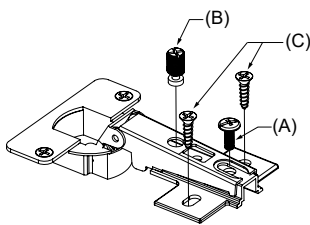
ITEM: 724114

STEP 12

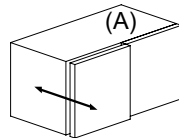
LEFT



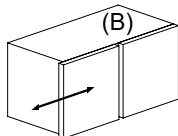
RIGHT



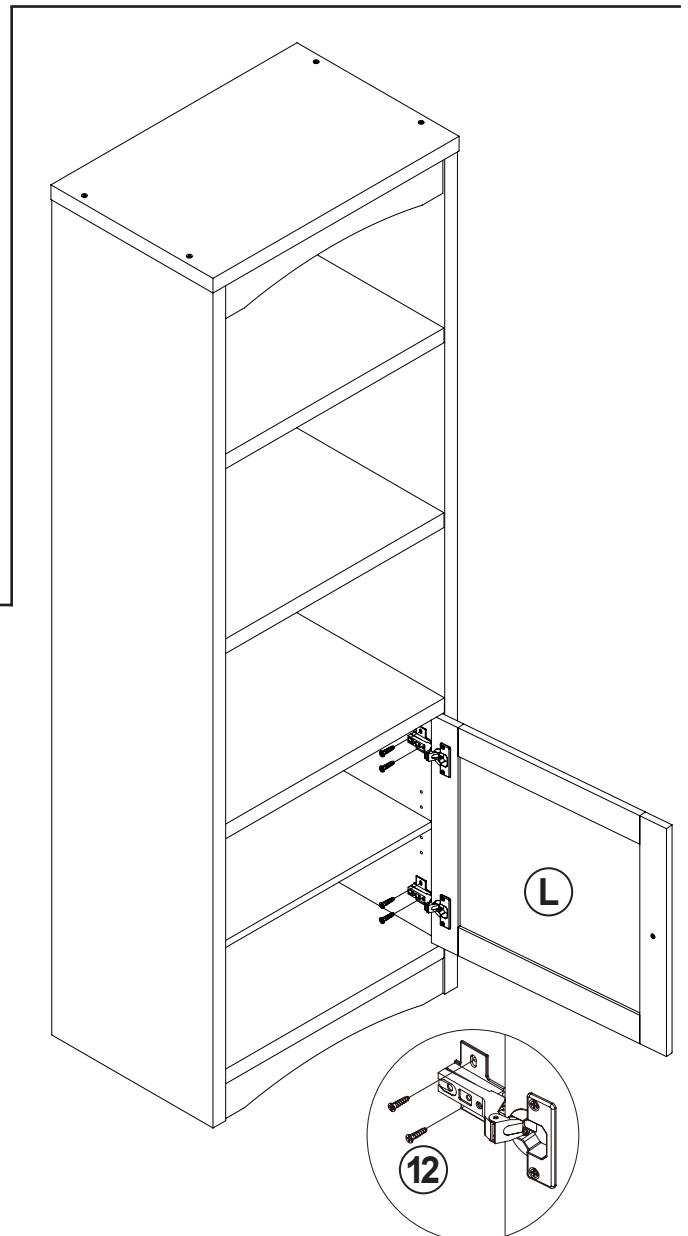
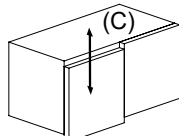
HORIZONTAL BY
SCREW A ADJUSTMENT



LATERAL BY
SCREW B ADJUSTMENT

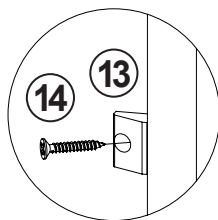
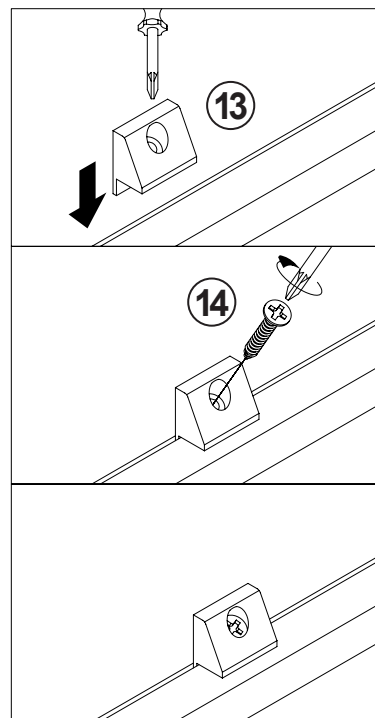
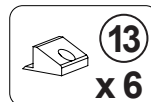
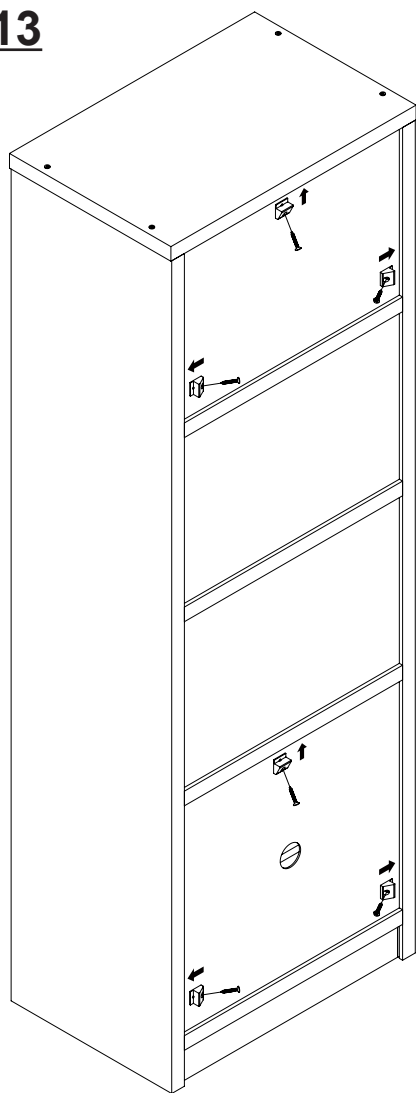


VERTICAL BY
SCREW C ADJUSTMENT



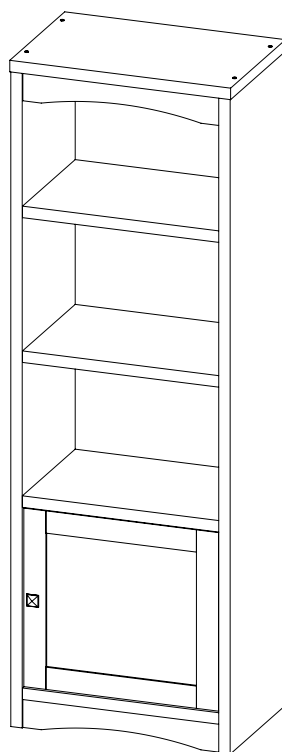
ITEM: 724114

STEP 13

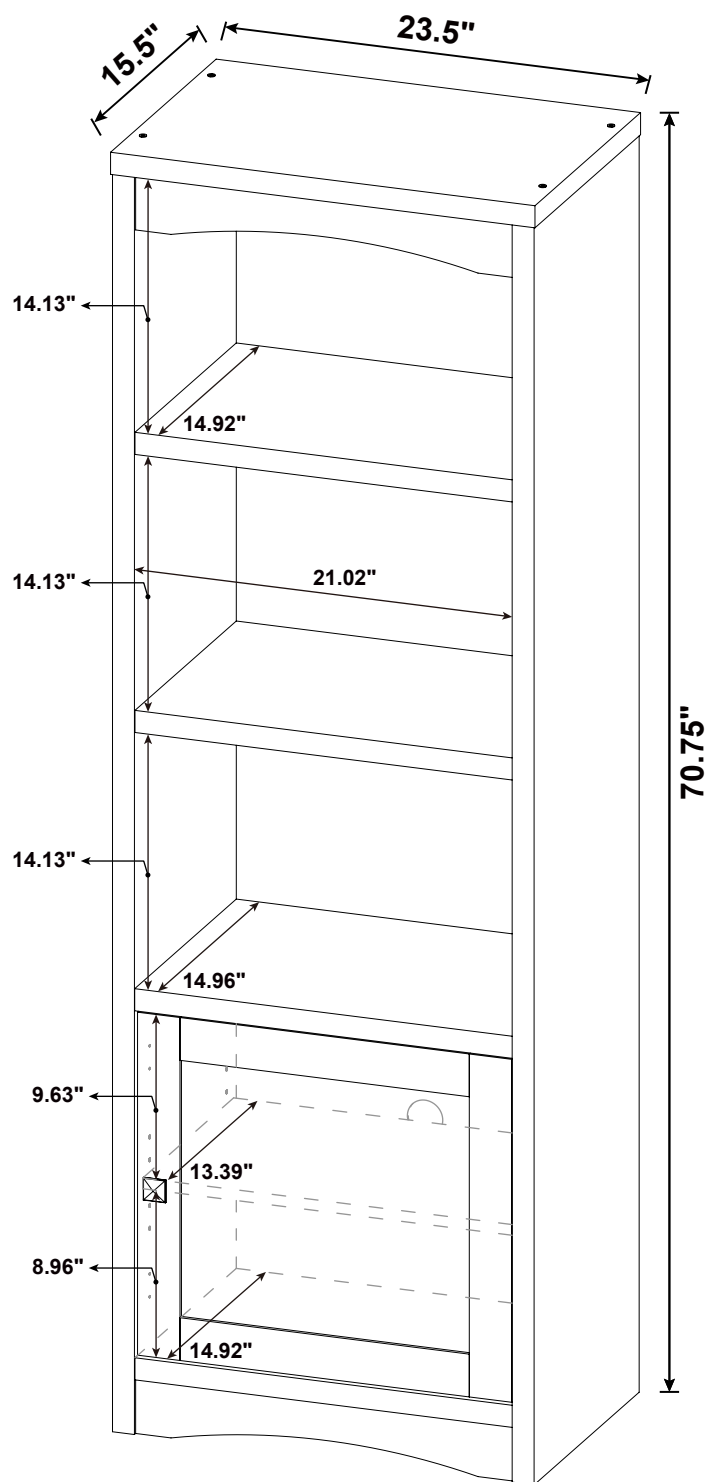


STEP 14

COMPLETE



ITEM: 724114



Note : Dimension tolerance $\pm 5\%$

ANTI-TIPPING INSTALLMENT INSTRUCTIONS

FURNITURE TIPPING RESTRAINT

WARNING

Injury may result from tipping furniture.
This restraint may protect against tipping furniture.
Do not allow children to climb on furniture.
This restraint is not a substitute for proper adult supervision.
Failure to detach this restraint before moving the furniture
may result in injury and damage.

1. To attach the anti-tip strap, securely mount one end to the top of the case piece with the 5/8" screw.
2. Position the case piece against the wall in the desired location.
3. Pull the anti-tip strap taut and mark the position of where you will secure the other end on the wall.
4. Drill a 1-1/4" hole in the spot you marked.
5. Tap in plastic wall plug.
6. Fasten anti-tip strap with wall screw provided.

(Please install the anti-tipping kit in the middle of the case piece if only have one set of anti-tipping kit.)

