



ASSEMBLY INSTRUCTIONS

COASTER FINE FURNITURE



Fine Furniture for every stage of life

108892
Side Chair

REVISION 0 : 04/16/2024
REVISION 1 : 08/30/2024

PAGE 1 OF 4

COASTERFURNITURE.COM

ITEM : 108892

ASSEMBLY INSTRUCTIONS

ASSEMBLY TIPS:

1. Remove hardware from box and sort by size.
2. Please check to see that all hardware and parts are present prior to start of assembly.
3. Please follow attached instructions in the same sequence as numbered to assure fast & easy assembly.



WARNING!


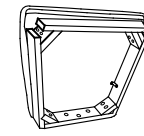


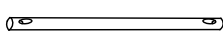
1. Don't attempt to repair or modify parts that are broken or defective. Please contact the store immediately.
2. This product is for home use only and not intended for commercial establishments.



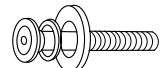




ASSEMBLY TIME

10 MINUTES

PARTS IDENTIFICATION

A	BACK FRAME		1PC
B	SEAT CUSHION WITH FRAME		1PC
C1	LEFT FRONT LEG		1PC
C2	RIGHT FRONT LEG		1PC
D	SIDE STRETCHER		2PCS

HARDWARE IDENTIFICATION

1	LONG BOLT WITH WASHER (M6 x 80mm - BLK)		4PCS
2	MEDIUM BOLT WITH WASHER (M6 x 60mm - BLK)		4PCS
3	SHORT BOLT WITH WASHER (M6 x 40mm - BLK)		3PCS
4	PAN HEAD SCREW (M5 x 38mm)		4PCS
5	ALLEN WRENCH (M4 x 60mm - GD)		1PC

NOTE:

Quantities shown are for one chair.

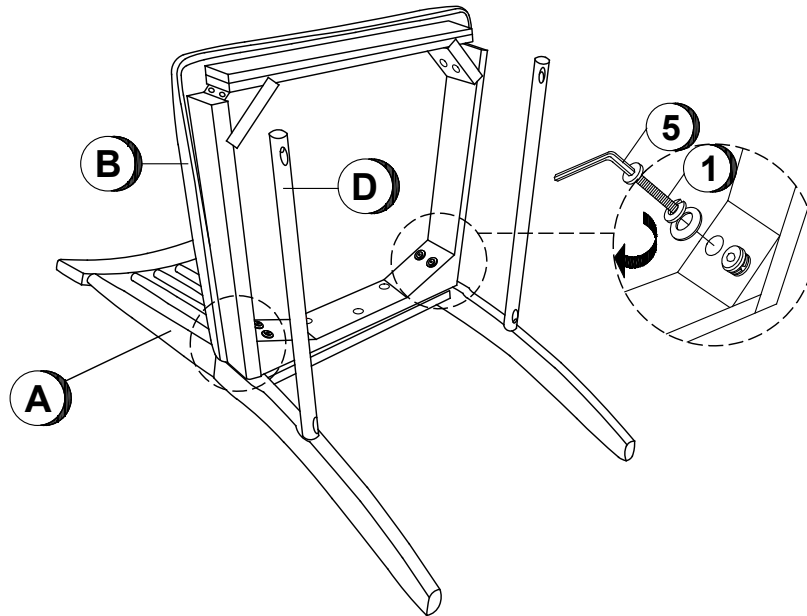
Phillips head screw driver is required in the assembly process; however, manufacturer does not provide this item.

ITEM : **108892**

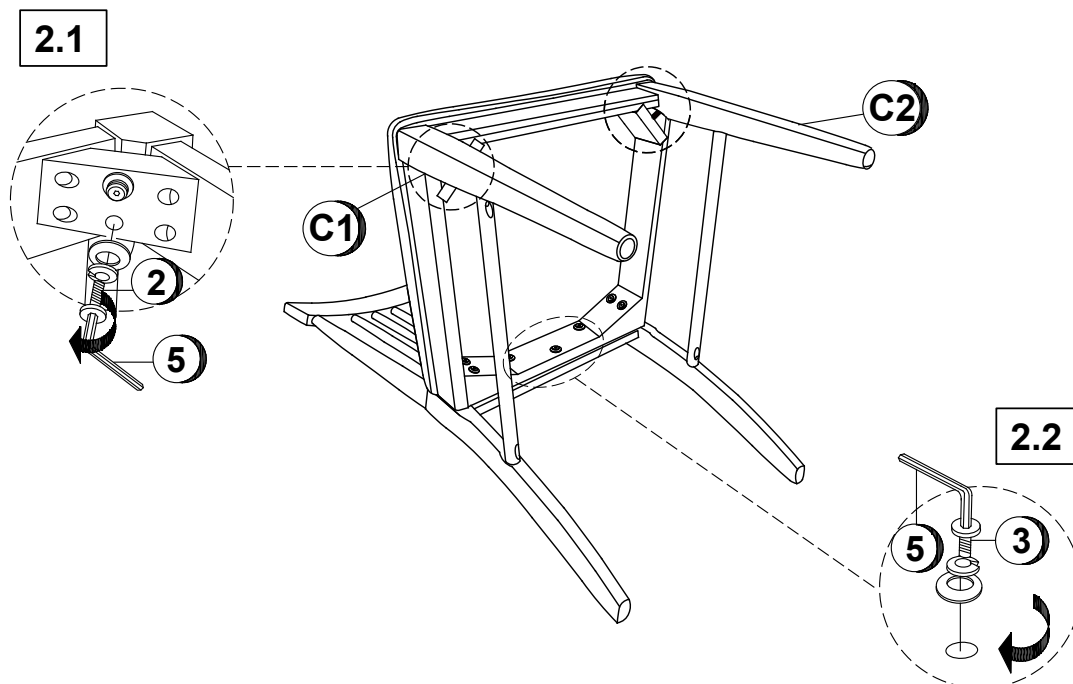
ASSEMBLY INSTRUCTIONS



STEP 1



STEP 2

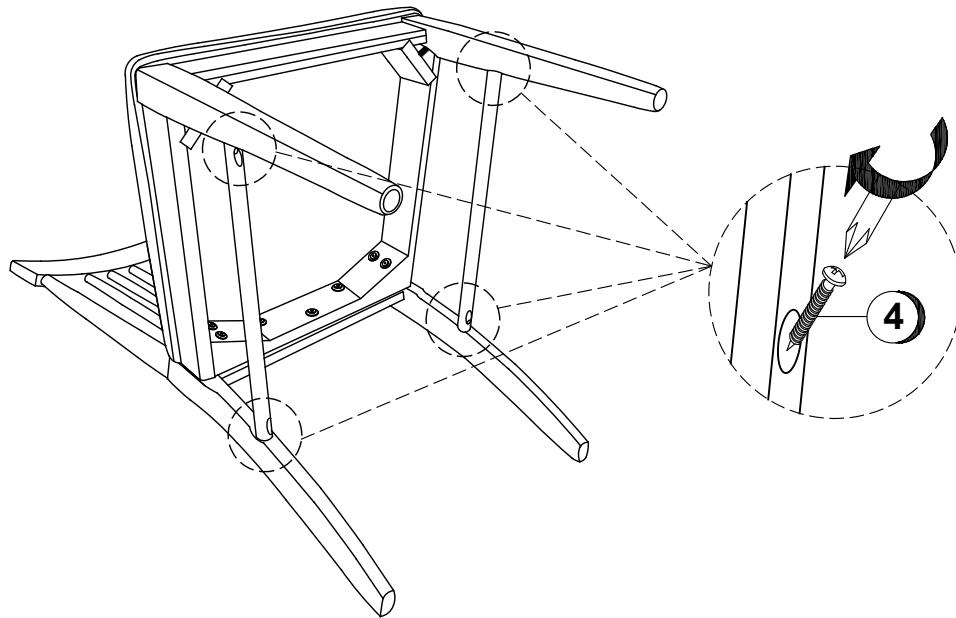


ITEM : **108892**

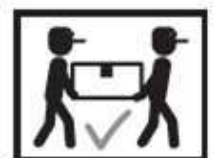
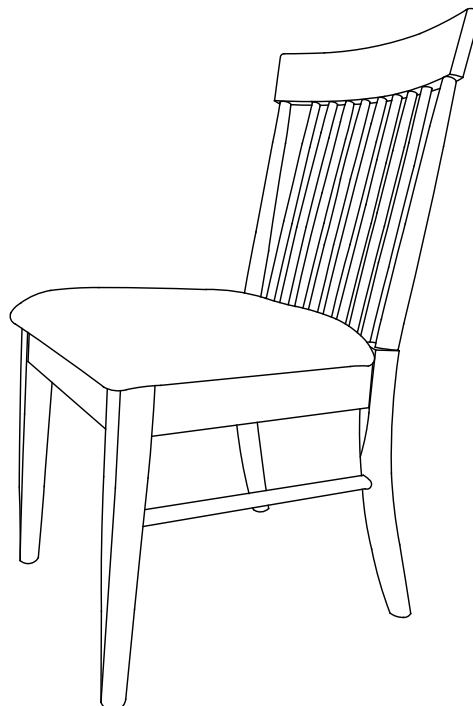
ASSEMBLY INSTRUCTIONS



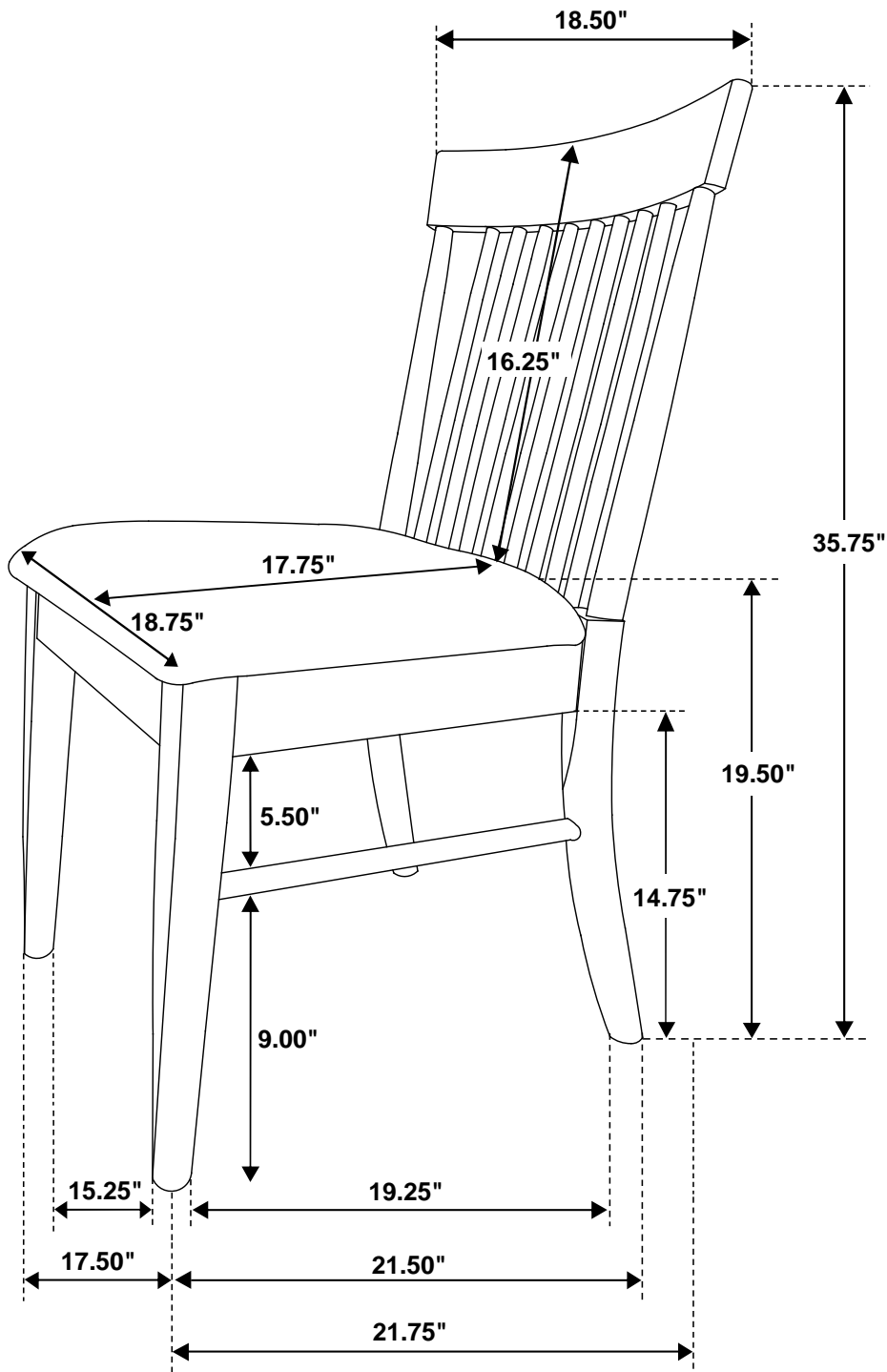
STEP 3



STEP 4
COMPLETE



ITEM : 108892



Note : Dimension tolerance $\pm 5\%$