



ASSEMBLY INSTRUCTIONS
COASTER FINE FURNITURE



Fine Furniture for every stage of life

108552
Side Chair

ITEM : 108552

ASSEMBLY INSTRUCTIONS



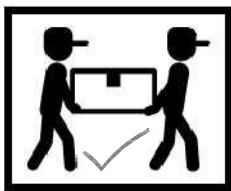
ASSEMBLY TIPS :

1. Remove hardware from box and sort by size.
2. Please check to see that all hardware and parts are present prior to start of assembly.
3. Please follow attached instruction in the same sequence as numbered to assure fast & easy assembly.



ATTENTION / WARNING !

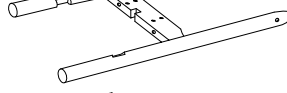
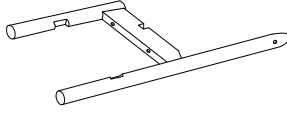




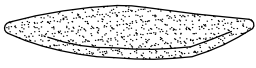

1. Don't attempt to repair or modify parts that are broken or defective. Please contact the store immediately.
2. This product is for home use only and not intended for commercial establishments.



ASSEMBLY TIME

20 MINUTES

PARTS IDENTIFICATION

A	UPPER LEG FRAME		1PC
B	LOWER LEG FRAME		1PC
C	LONG WOOD CLEAT		1PC
D	SHORT WOOD CLEAT		1PC
E	UPPER STRETCHER		1PC
F	LOWER STRETCHER		1PC
G	SEAT CUSHION		1PC
H	BACKREST		1PC

NOTE:

Quantities shown are for one chair.

Phillips head screw driver is required in the assembly process; however, manufacturer does not provide this item.

ITEM : 108552

ASSEMBLY INSTRUCTIONS



ASSEMBLY TIPS :


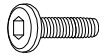
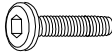
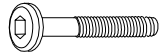
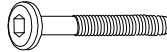




1. Remove hardware from box and sort by size.
2. Please check to see that all hardware and parts are present prior to start of assembly.
3. Please follow attached instruction in the same sequence as numbered to assure fast & easy assembly.



ATTENTION / WARNING !

1. Don't attempt to repair or modify parts that are broken or defective. Please contact the store immediately.
2. This product is for home use only and not intended for commercial establishments.

HARDWARE IDENTIFICATION

1	ALLEN WRENCH (M4 x 110MM - BLK)		1PC
2	BOLT 1 (M6 x 25MM - RBW)		2PCS
3	BOLT 2 (M6 x 35MM - RBW)		8PCS
4	BOLT 3 (M6 x 50MM - RBW)		4PCS
5	BOLT 4 (M6 x 60MM - RBW)		4PCS
6	LOCK WASHER (1/4" - BLK)		18PCS
7	FLAT WASHER (M6 x 13MM - RBW)		18PCS
8	HEX BOLT (M7 x 20MM - RBW)		1PC
9	WOOD PLUG (Ø14.5 x 9MM)		2PCS

NOTE :

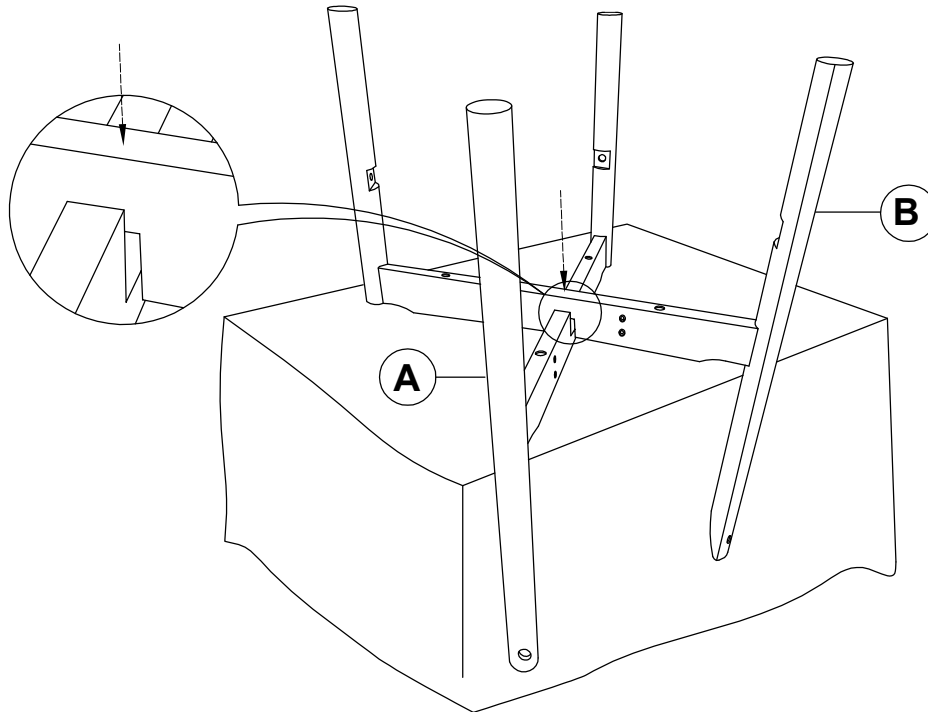
Phillips head screw driver is required in the assembly process; However, manufacturer not provide this item. Quantities shown are for one chair.

ITEM: **108552**

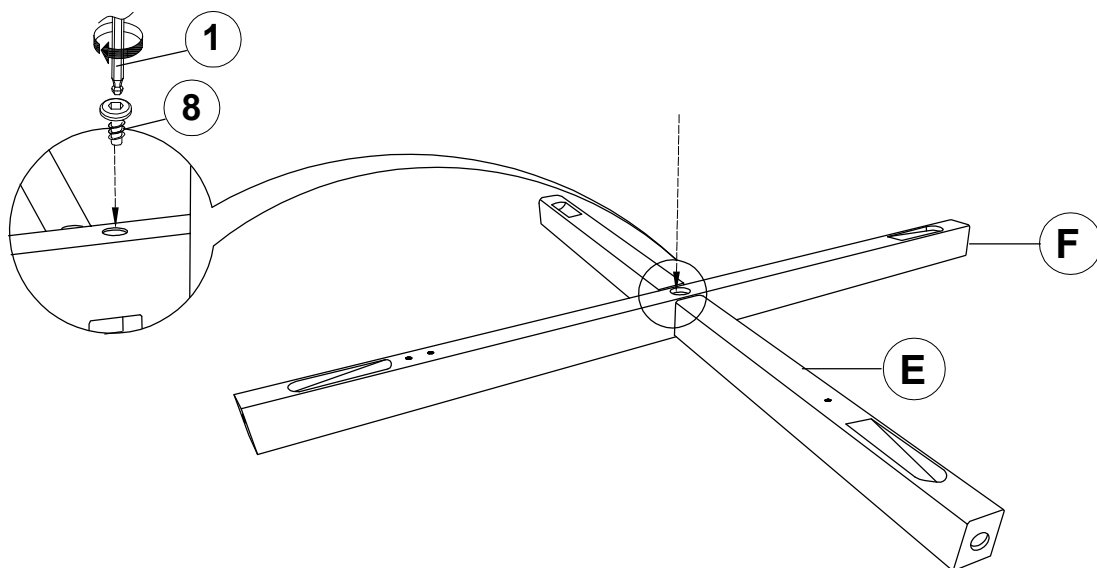
ASSEMBLY INSTRUCTIONS



STEP 1



STEP 2

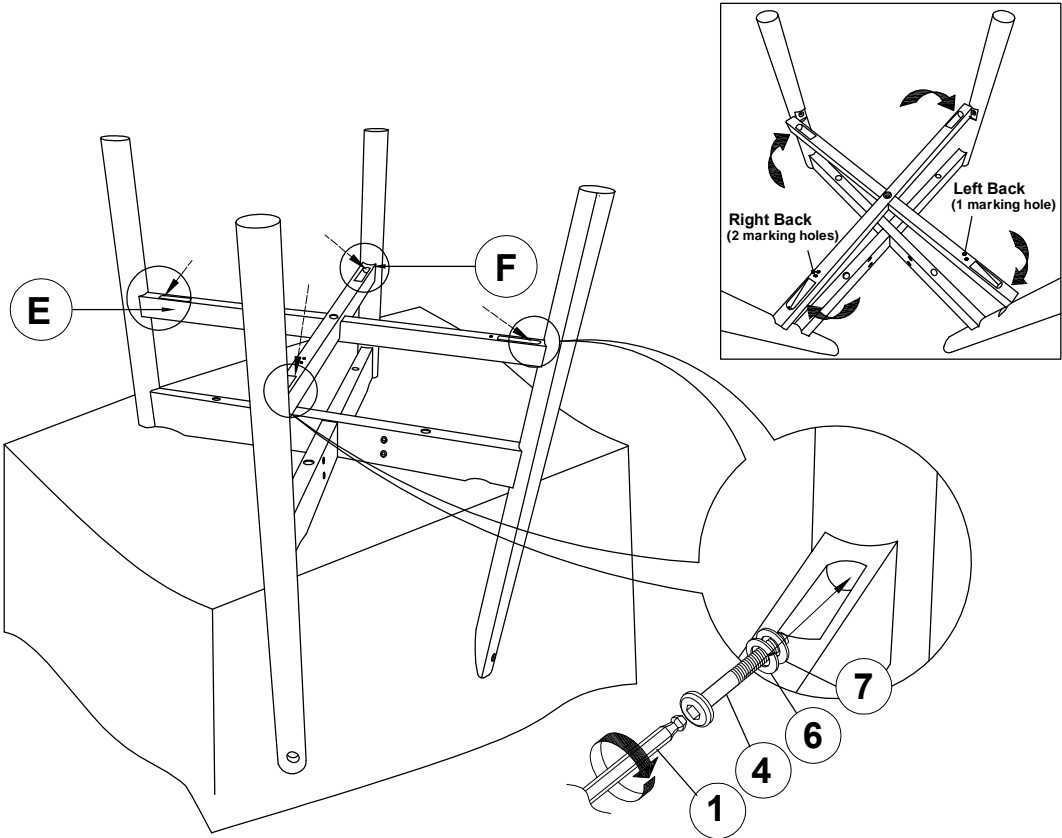


ITEM: **108552**

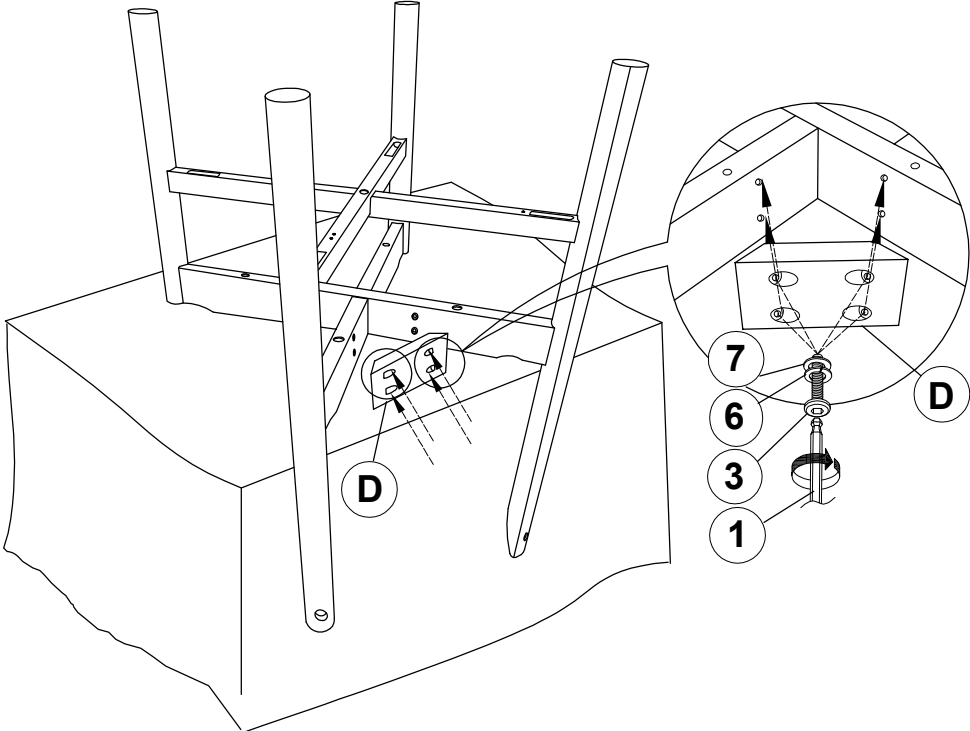
ASSEMBLY INSTRUCTIONS



STEP 3



STEP 4

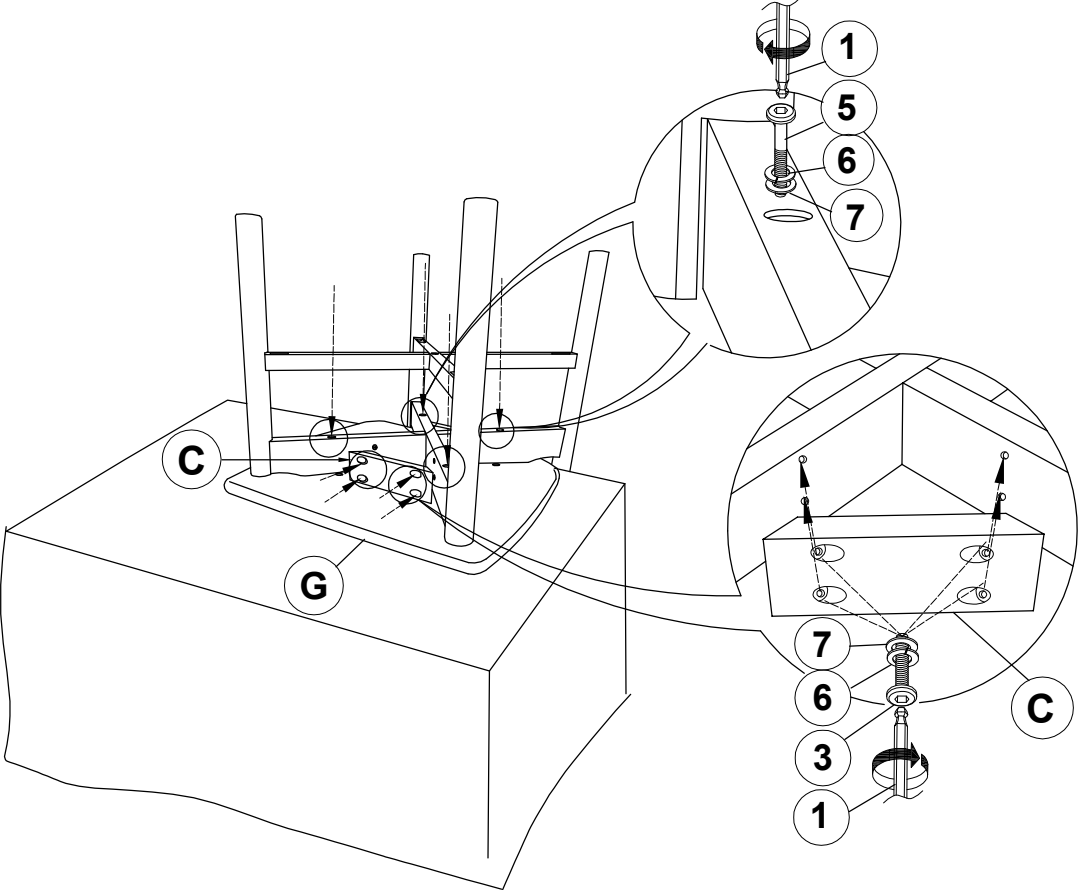


ITEM: **108552**

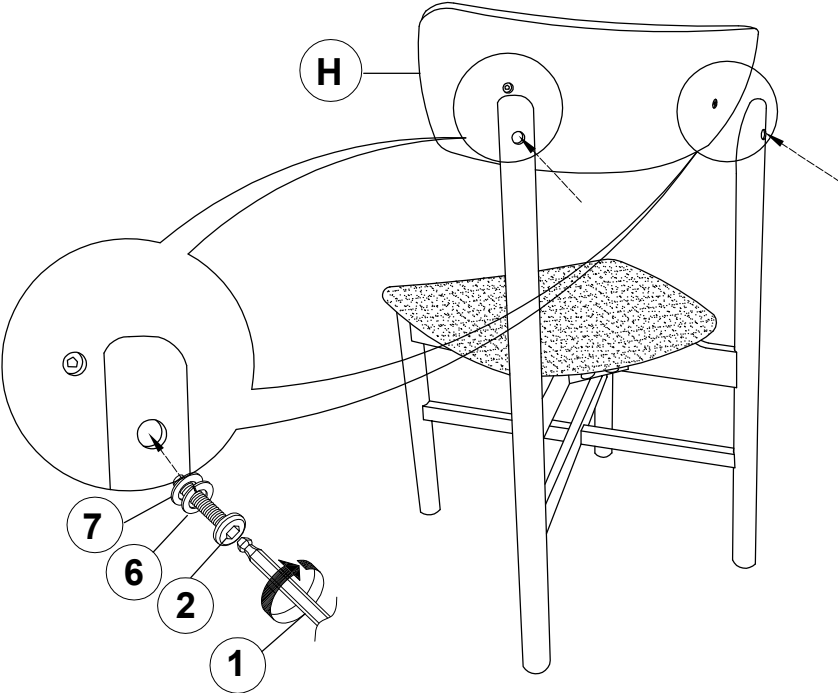
ASSEMBLY INSTRUCTIONS



STEP 5



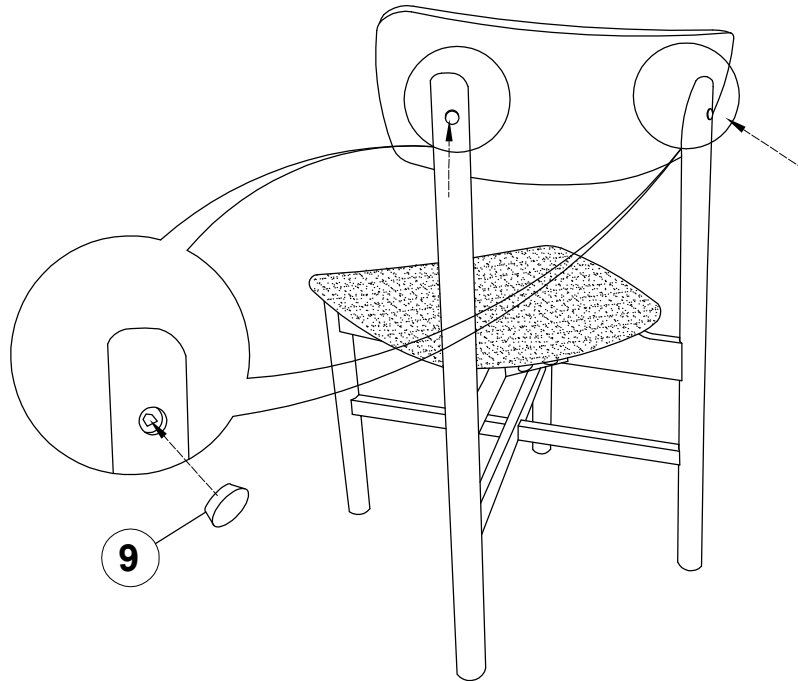
STEP 6



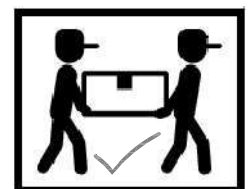
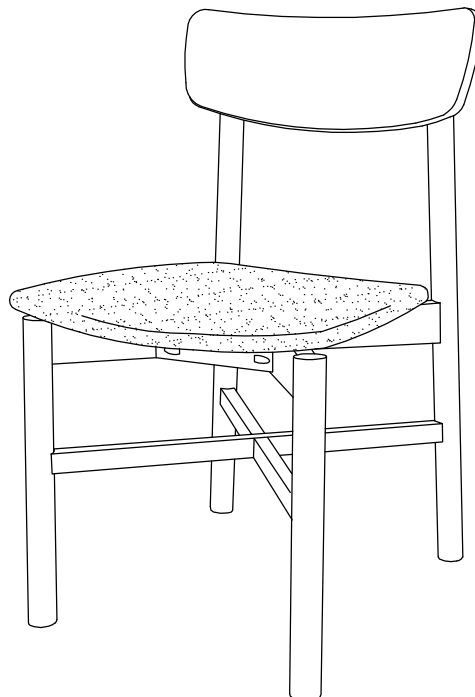
ITEM: **108552**

ASSEMBLY INSTRUCTIONS

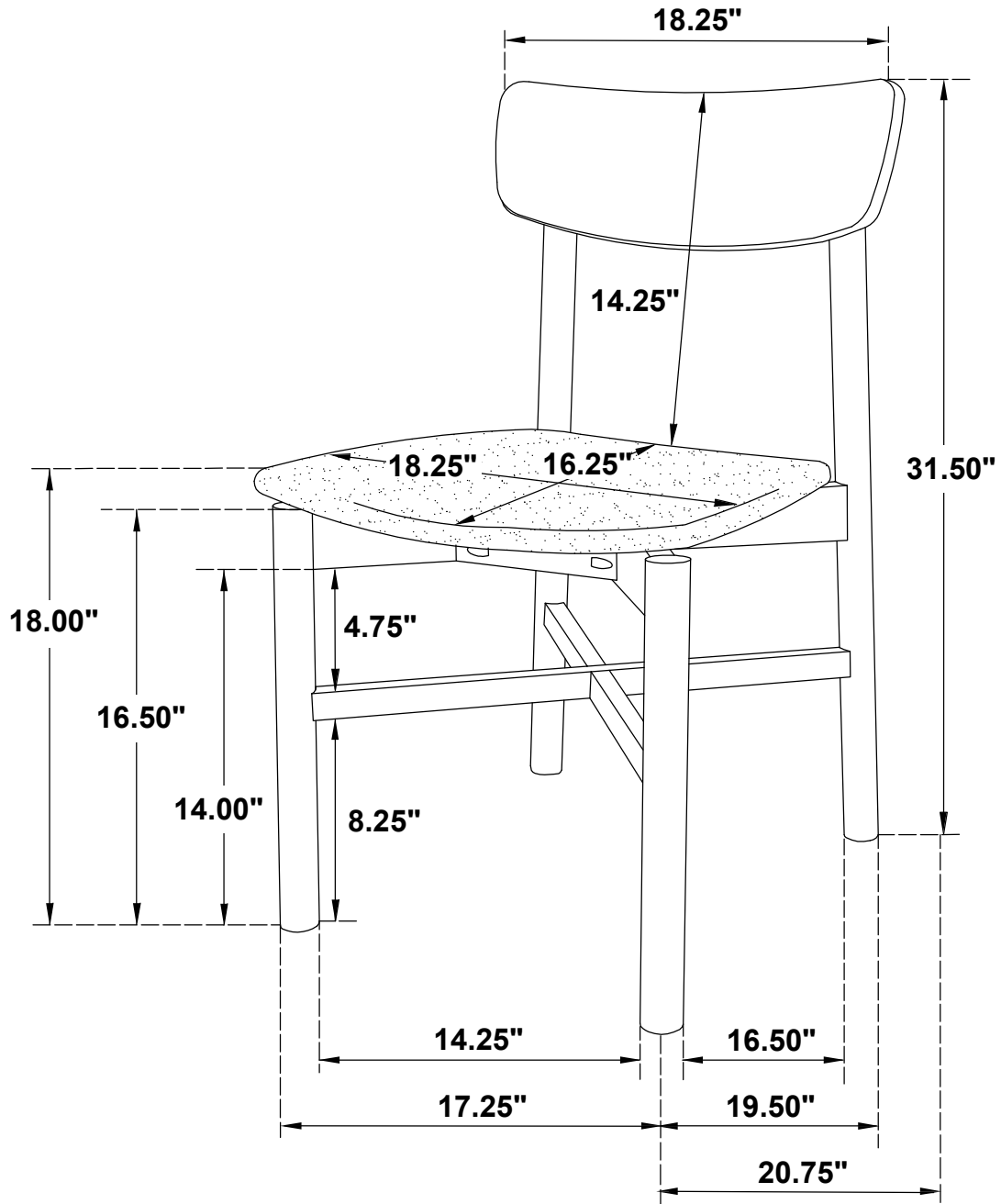
STEP 7



STEP 8
COMPLETE



ITEM: **108552**



Note : Dimension tolerance $\pm 5\%$