



ASSEMBLY INSTRUCTIONS COASTER FINE FURNITURE



Fine Furniture for every stage of life

803378

OFFICE CHAIR

REIVSION 0:06/16/2020
REIVSION 1:08/04/2022
REIVSION 2:08/30/2024

PAGE 1 OF 4

COASTERFURNITURE.COM

ITEM :803378
ASSEMBLY INSTRUCTIONS



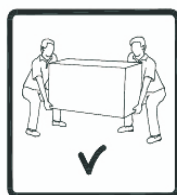
ASSEMBLY TIPS:

1. Remove hardware from box and sort by size.
2. Please check to see that all hardware and parts are present prior to start of assembly.
3. Please follow attached instructions in the same sequence as numbered to assure fast & easy assembly.









Warning!

1. Don't attempt to repair or modify parts that are broken or defective. Please contact the store immediately.
2. This product is for home use only and not intended for commercial establishments.

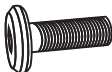



ASSEMBLY TIME	5 MINUTES
---------------	-----------

PARTS IDENTIFICATION

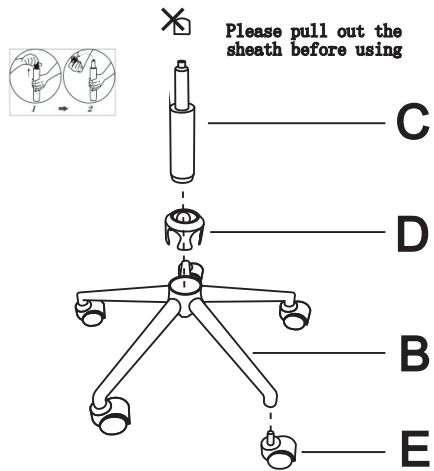
	PART NAME	FIGURE	QTY
A	SEAT AND BACK		1 PC
B	BASE		1 PC
C	GAS CYLINDER		1 PC
D	DECORATION COVER		1 PC
E	CASTER		1 PC
F	ADJUSTING PLATE		5 PCS

HARDWARE IDENTIFICATION

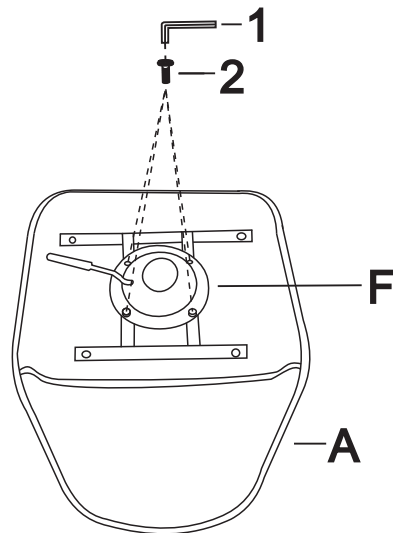
	HARDWARE NAME	FIGURE	QTY
1	BOLTS M6X16MM		4PCS
2	ALLEN WRENCH M6		1PC

ITEM :803378 ASSEMBLY INSTRUCTIONS

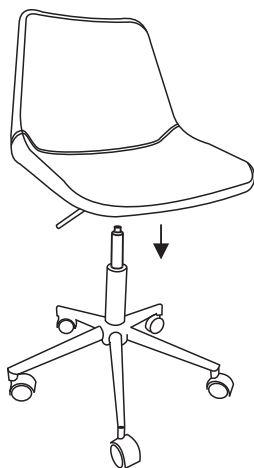
STEP1



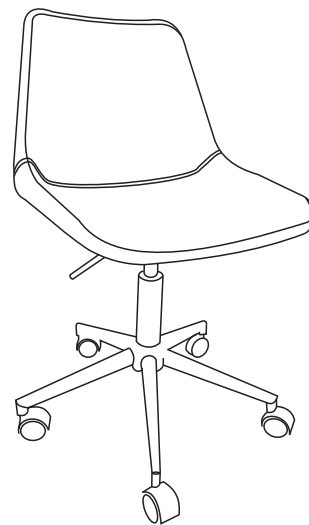
STEP2



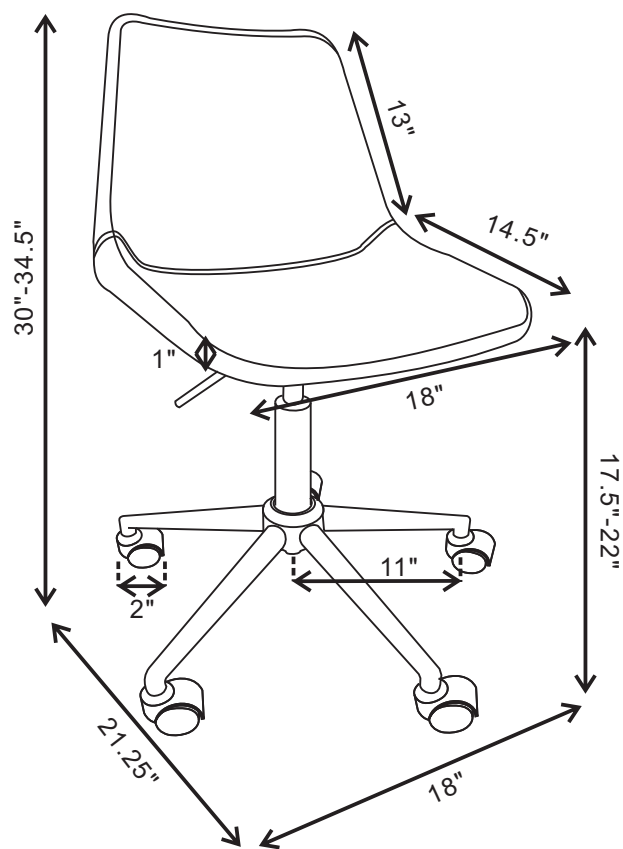
STEP3



STEP4



ITEM :803378
ASSEMBLY INSTRUCTIONS



Note:Dimension tolerance \pm 5%