



ASSEMBLY INSTRUCTIONS COASTER FINE FURNITURE



108292
SIDE CHAIR

ITEM:108292



ASSEMBLY INSTRUCTIONS

ASSEMBLY TIPS:

1. Remove hardware from box and sort by size.
2. Please check to see that all hardware and parts are present prior to start of assembly.
3. Please follow attached instructions in the same sequence as numbered to assure fast & easy assembly.



WARNING!

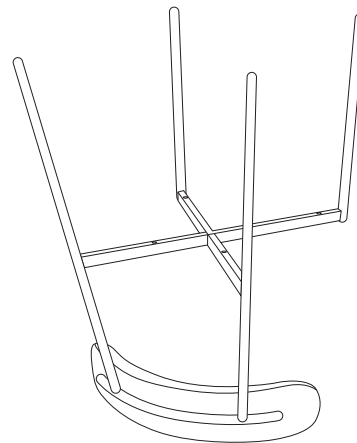
1. Don't attempt to repair or modify parts that are broken or defective. Please contact the store immediately.
2. This product is for home use only and not intended for commercial establishments.

ASSEMBLY TIME

5 MINUTES



A SEAT 1PC



B FRAME 1PC

Z HARDWARE IDENTIFICATION			
NO	DESCRIPTION	FIGURE	QTY
1	BOLT (M6 × 35mm - BLK)		4PCS
2	WASHER (ø6 × 16 × 1.5mm - BLK)		4PCS
3	ALLEN WRENCH (M4 - BLK)		1PC

NOTE:

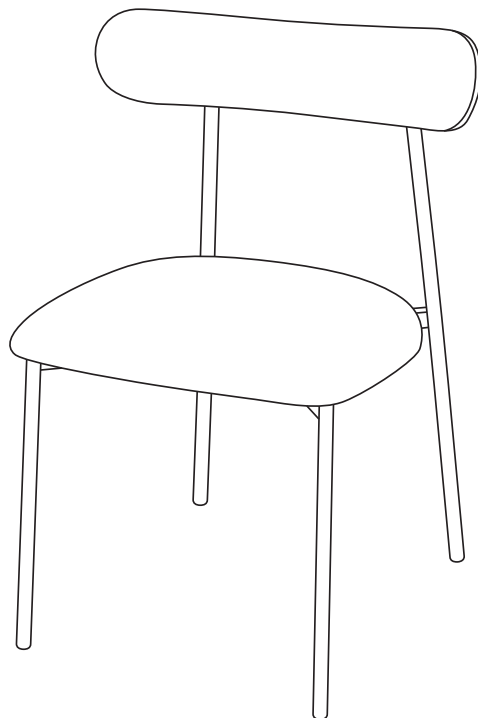
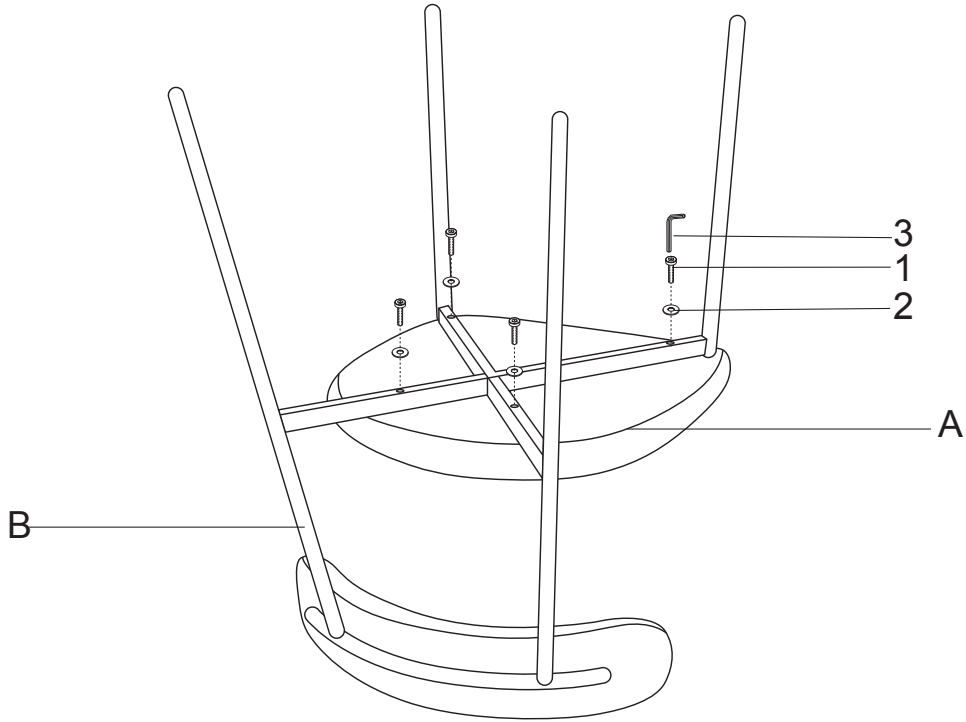
Quantities shown are for one chair.

ITEM:108292

ASSEMBLY INSTRUCTIONS



STEP 1



COASTERFURNITURE.COM

