

**ASSEMBLY INSTRUCTIONS**  
**COASTER FINE FURNITURE**



*Fine Furniture for every stage of life*

**182104**  
**BAR UNIT**

# ITEM: 182104

## ASSEMBLY INSTRUCTIONS

### ASSEMBLY TIPS:

1. Remove hardware from box and sort by size.
2. Please check to see that all hardware and parts are present prior to start of assembly.
3. Please follow attached instructions in the same sequence as numbered to assure fast & easy assembly.
4. **\*\*\*Please keep the 2 long pieces of 30mm Styrofoam included in the package as cushioning pads during this assembly step.\*\*\***



### WARNING!

1. Don't attempt to repair or modify parts that are broken or defective. Please contact the store immediately.
2. This product is for home use only and not intended for commercial establishments.

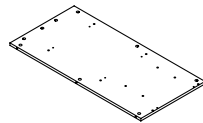


ASSEMBLY TIME

90 MINUTES

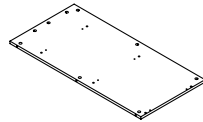
## PARTS IDENTIFICATION

A LEFT SIDE PANEL



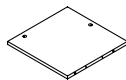
1 PC

B RIGHT SIDE PANEL



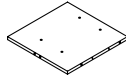
1 PC

C UPPER DIVIDER PANEL



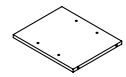
3 PCS

D LOWER DIVIDER PANEL



1 PC

E SMALL DIVIDER PANEL



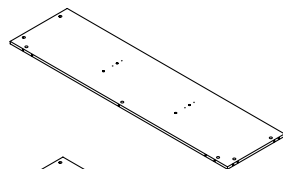
3 PCS

F SMALL CROSS PANEL



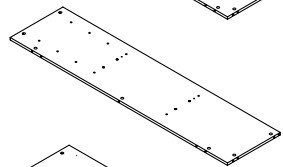
8 PCS

G BOTTOM PANEL



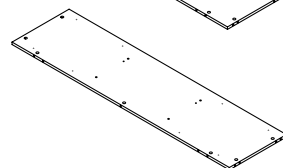
1 PC

H MIDDLE CROSS PANEL



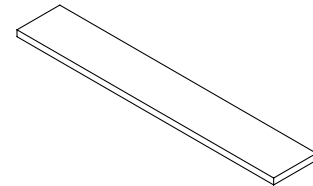
1 PC

I UPPER CROSS PANEL



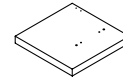
1 PC

J LARGE TOP PANEL



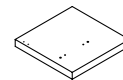
1 PC

K LEFT SMALL TOP PANEL



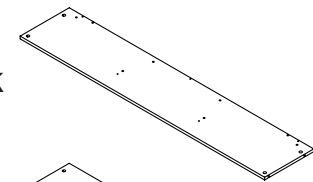
1 PC

L RIGHT SMALL TOP PANEL



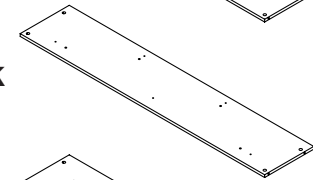
1 PC

M LOWER BACK PANEL



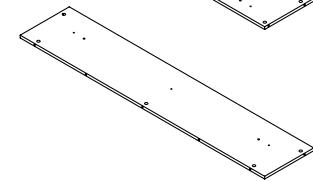
1 PC

N MIDDLE BACK PANEL



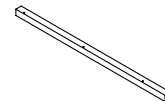
1 PC

O UPPER BACK PANEL



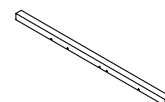
1 PC

P LEFT FRONT LEG



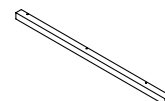
1 PC

Q LEFT BACK LEG



1 PC

R RIGHT FRONT LEG

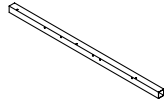


1 PC

### NOTE:

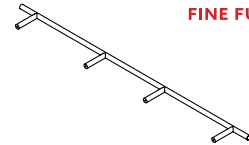
Phillips head screw driver is required in the assembly process; however, manufacturer does not provide this item.

S RIGHT BACK LEG



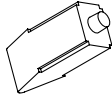
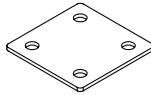
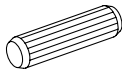

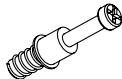
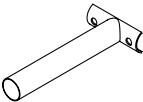

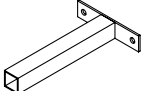




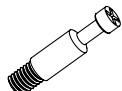

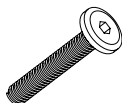




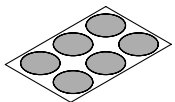
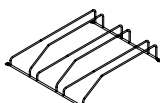
1 PC

T FOOTREST



1 PC

## HARDWARE IDENTIFICATION

Z NO	DESCRIPTION	FIGURE	Q'TY	NO	DESCRIPTION	FIGURE	Q'TY
1	GLUE 40g		1 PC	12	SUPPORT PLATE SR		2 PCS
2	WOODEN DOWEL Ø8x30mm		58 PCS	13	SCREW Ø4x15mm SR		16 PCS
3	CAM BOLT Ø7x35.5mm SR		38 PCS	14	FOOTREST SUPPORT LEG Ø25mm BLK		3 PCS
4	CAM LOCK Ø15x12mm SR		60 PCS	15	SUPPORT LEG 129mm BLK		2 PCS
5	SCREW Ø4.5x42mm SR		8 PCS	16	SCREW Ø4x15mm BLK		4 PCS
6	WOODEN DOWEL Ø8x50mm		16 PCS	17	FLOOR PROTECTOR 38x38mm		4 PCS
7	CAM BOLT Ø7x31.5mm BLK		22 PCS	18	FLOOR PROTECTOR 18x18mm		2 PCS
8	BOLT M6x38mm BLK		4 PCS	19	FLOOR PROTECTOR Ø25mm		5 PCS
9	BOLT M6x15mm BLK		6 PCS	20	SCREW DRIVER		1 PC
10	ALLEN WRENCH 4mm SR		1 PC	21	STICKER Ø20mm		10 PCS
11	GLASS HOLDER		2 PCS				

Z11,Z14,Z15 not included in blister packaging.

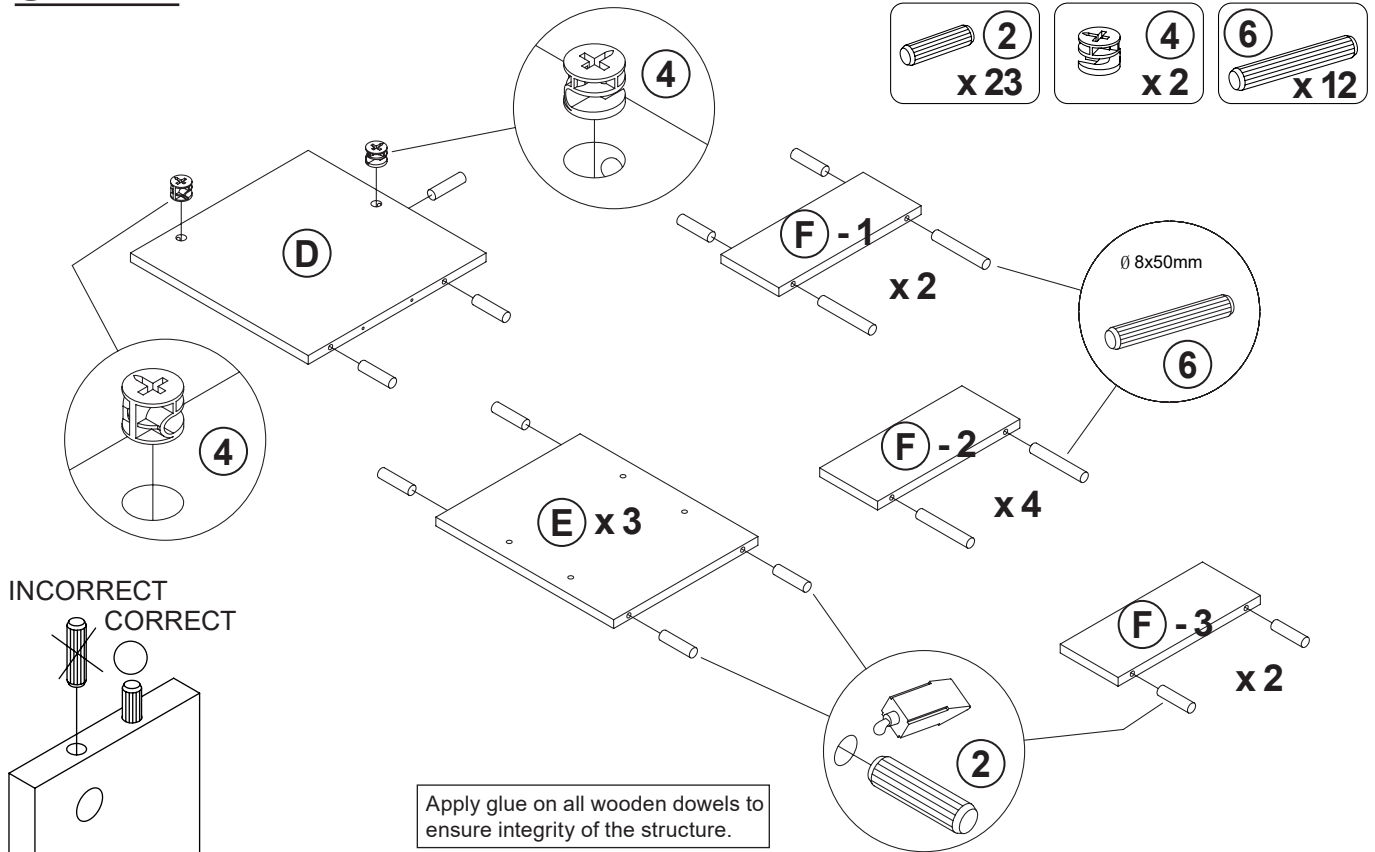
**NOTE:**

Phillips head screw driver is required in the assembly process; however, manufacturer does not provide this item.

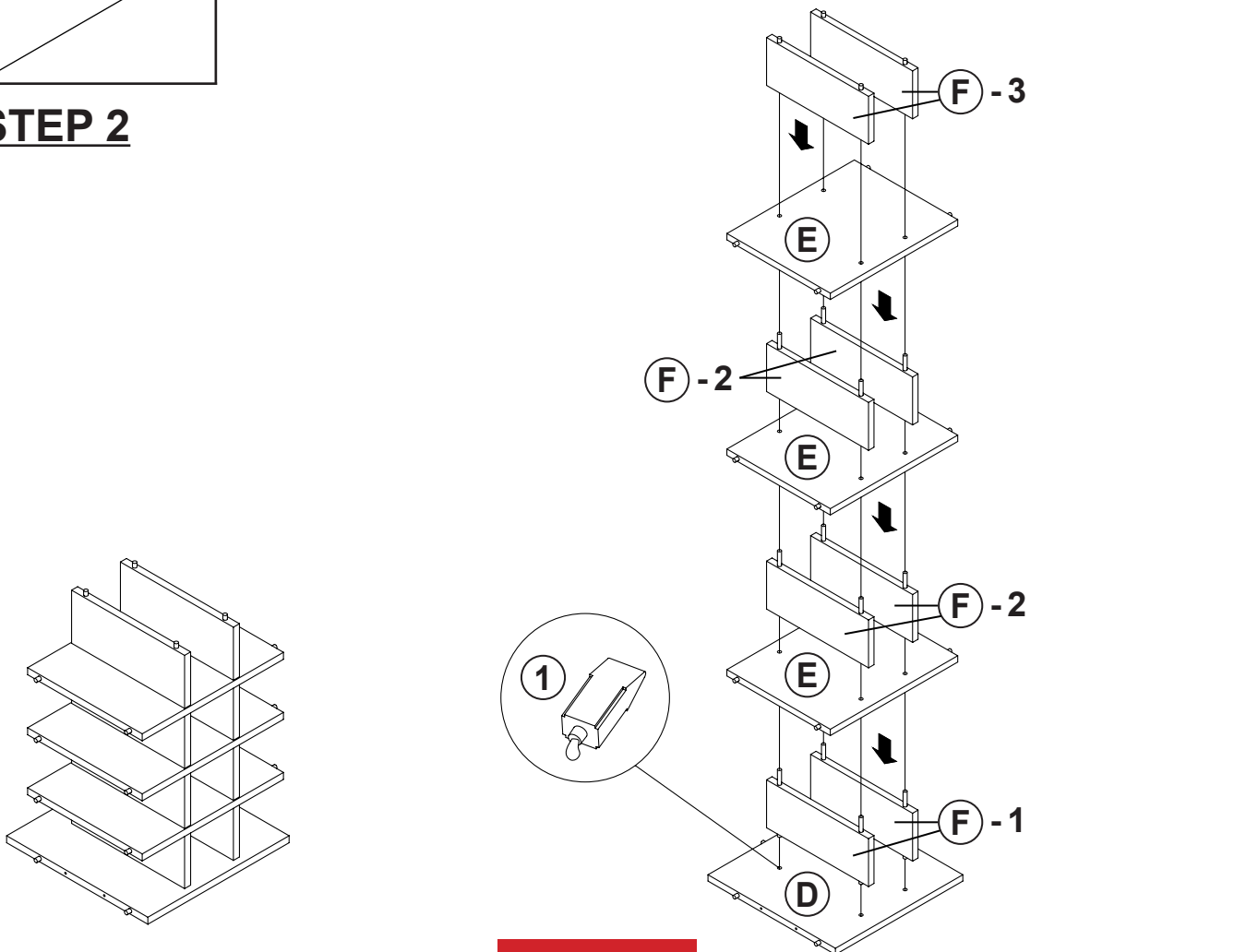
ITEM: 182104

**STEP 1**

- 2 x 23
- 4 x 2
- 6 x 12



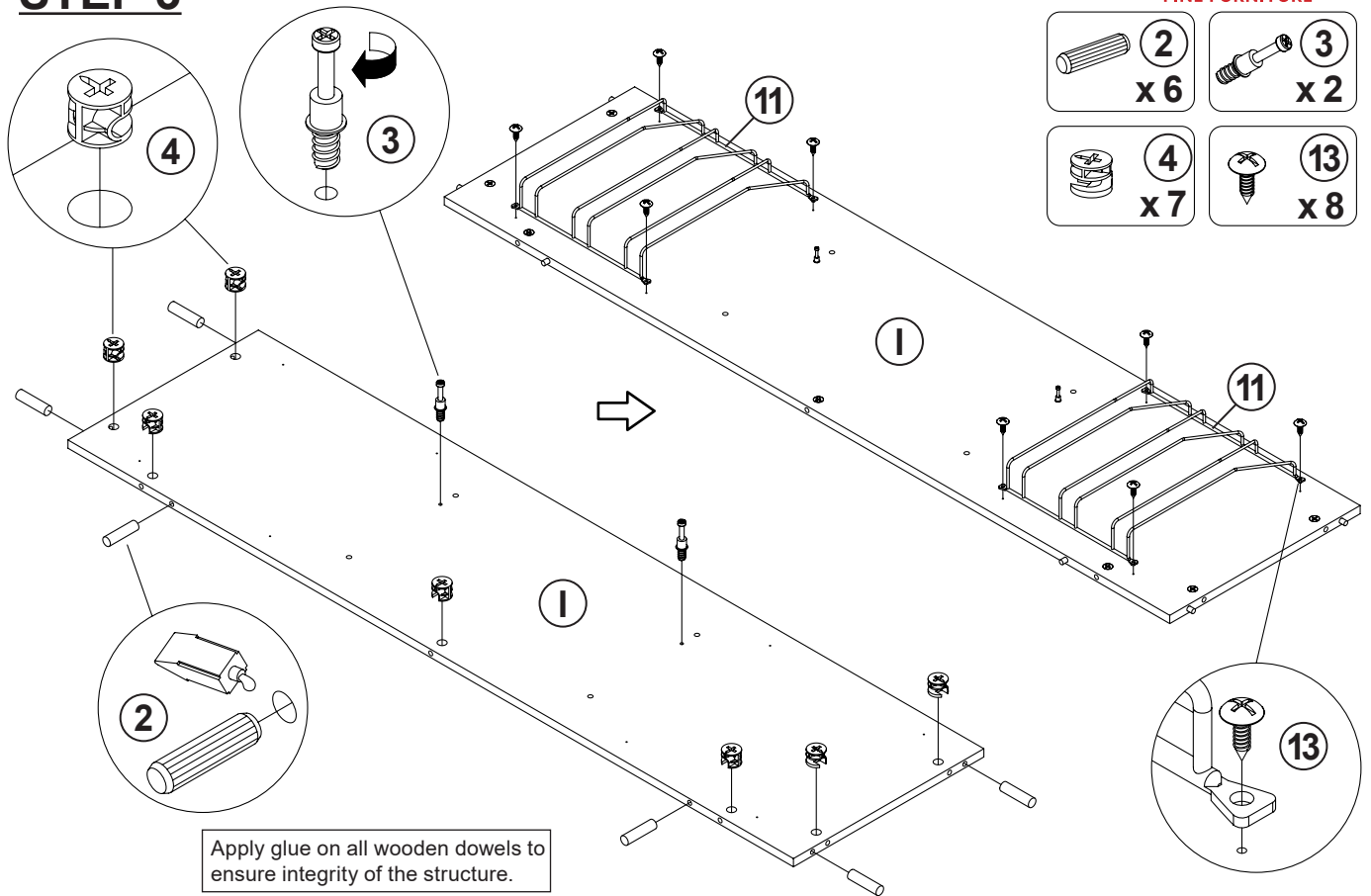
**STEP 2**



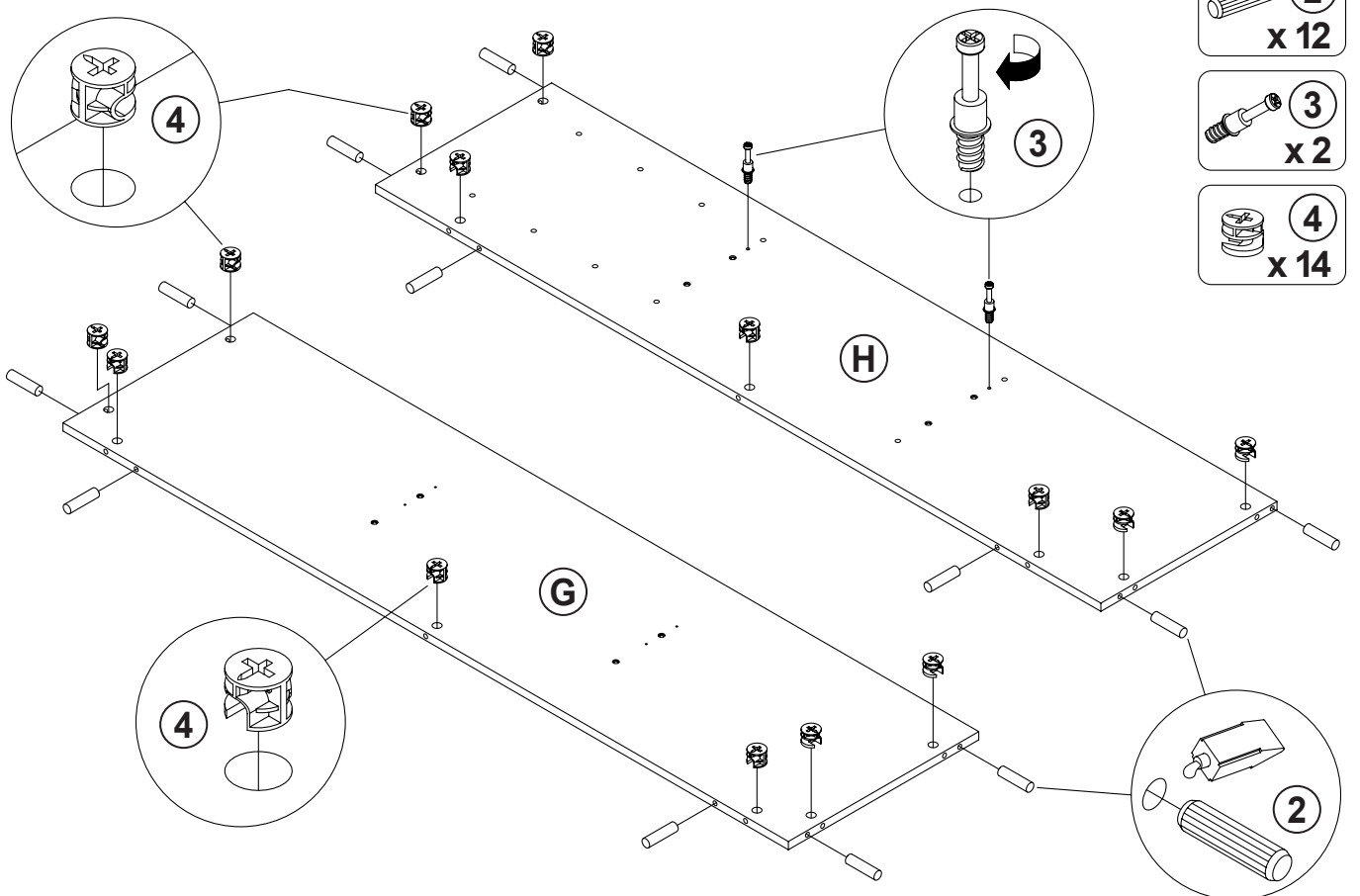
ITEM: 182104

**COASTER**  
FINE FURNITURE

**STEP 3**



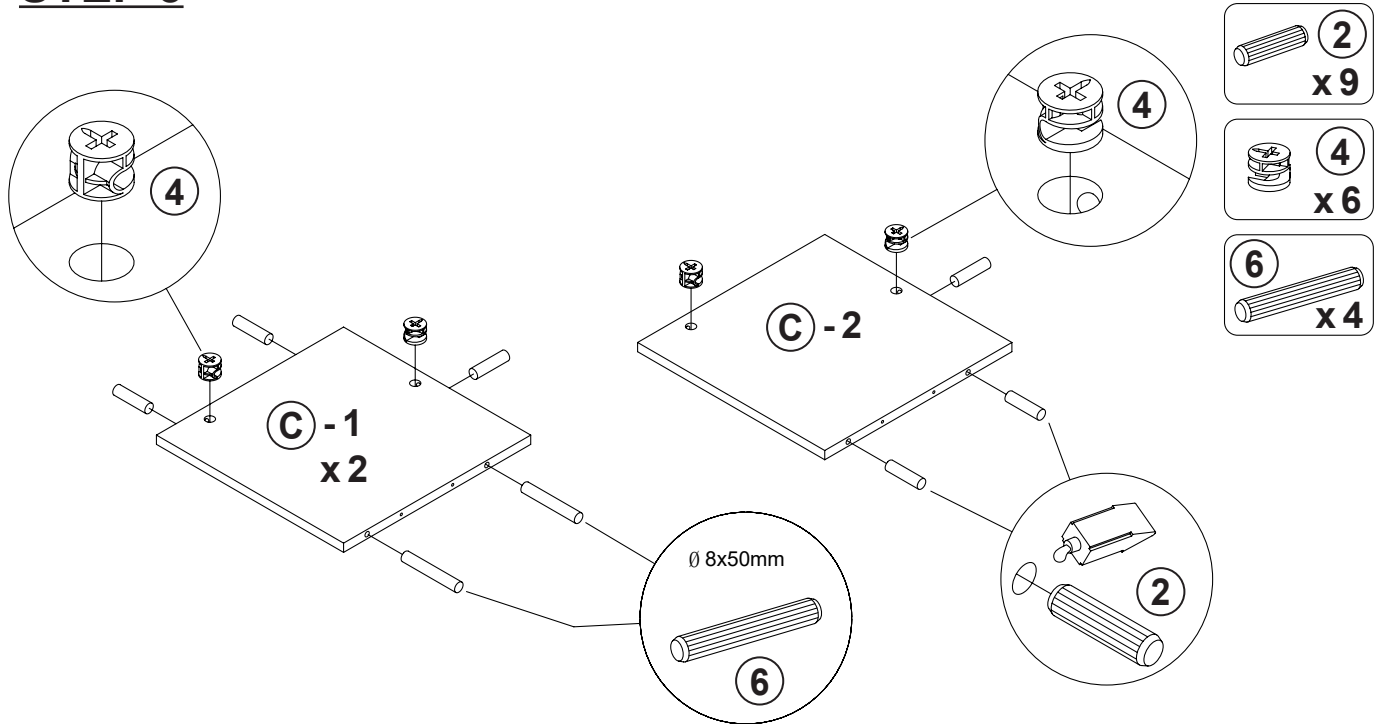
**STEP 4**



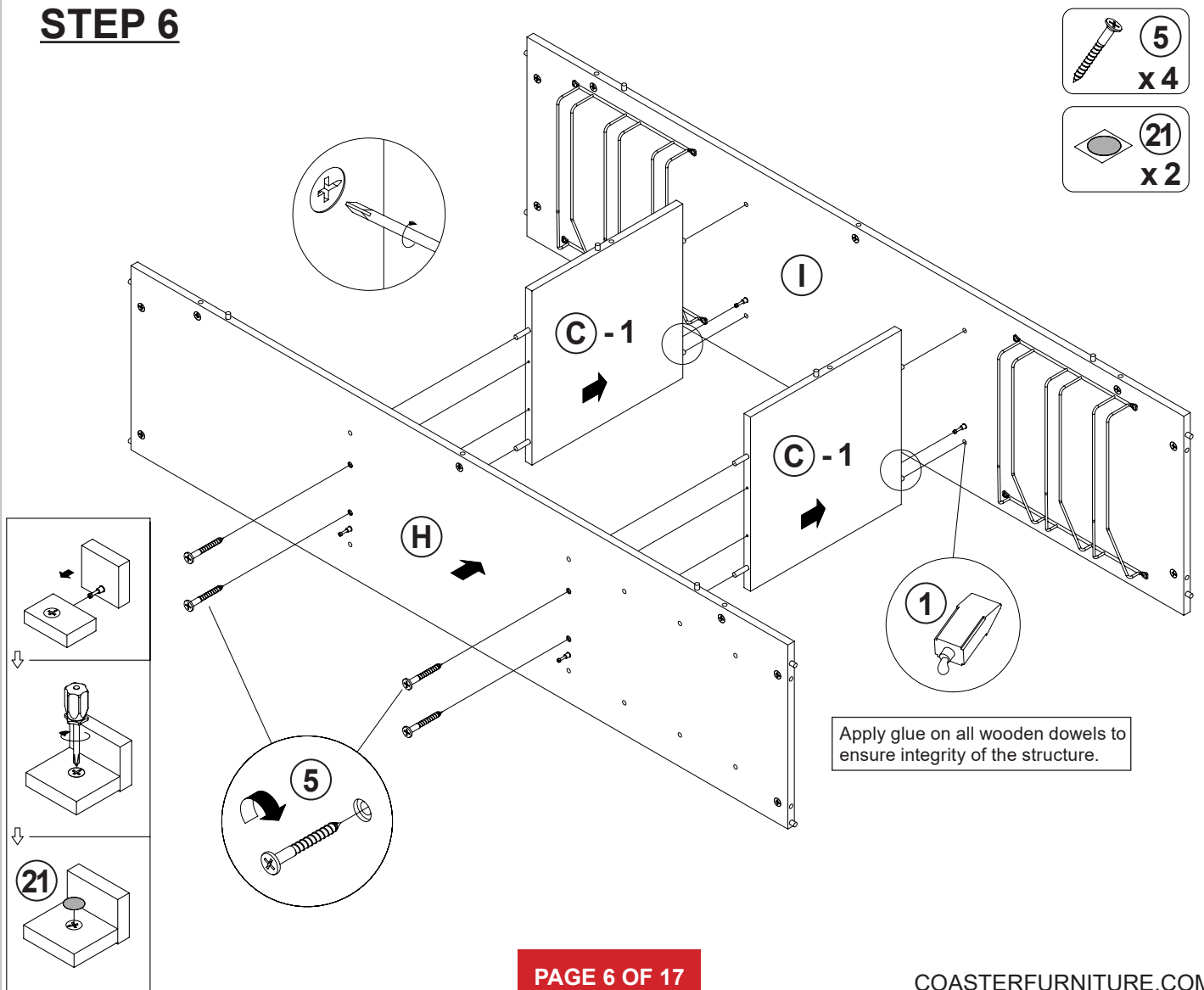
ITEM: **182104**

**COASTER**  
FINE FURNITURE

**STEP 5**



**STEP 6**



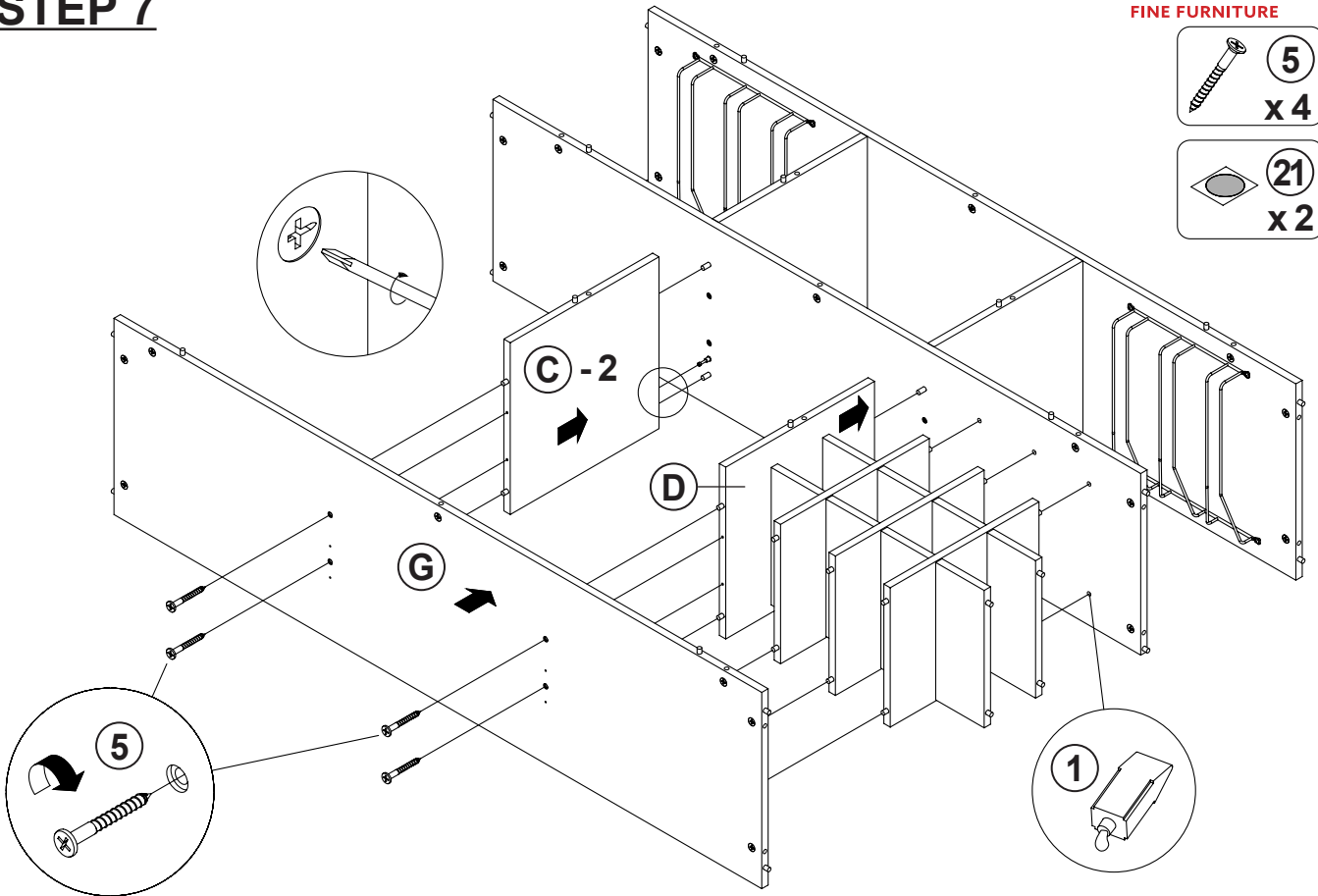
ITEM: 182104

**COASTER**  
FINE FURNITURE

**STEP 7**

**5**  
x 4

**21**  
x 2

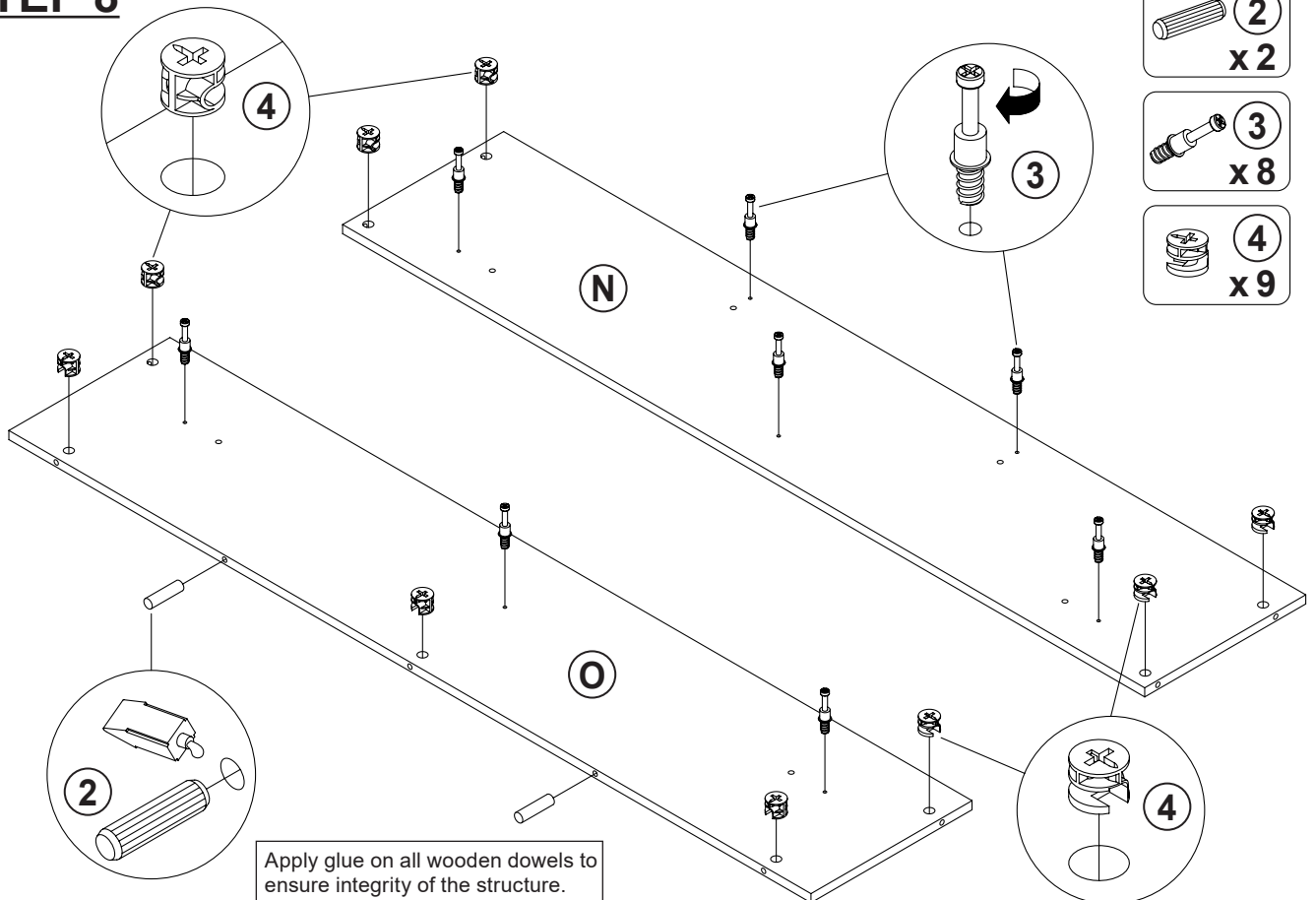


**STEP 8**

**2**  
x 2

**3**  
x 8

**4**  
x 9

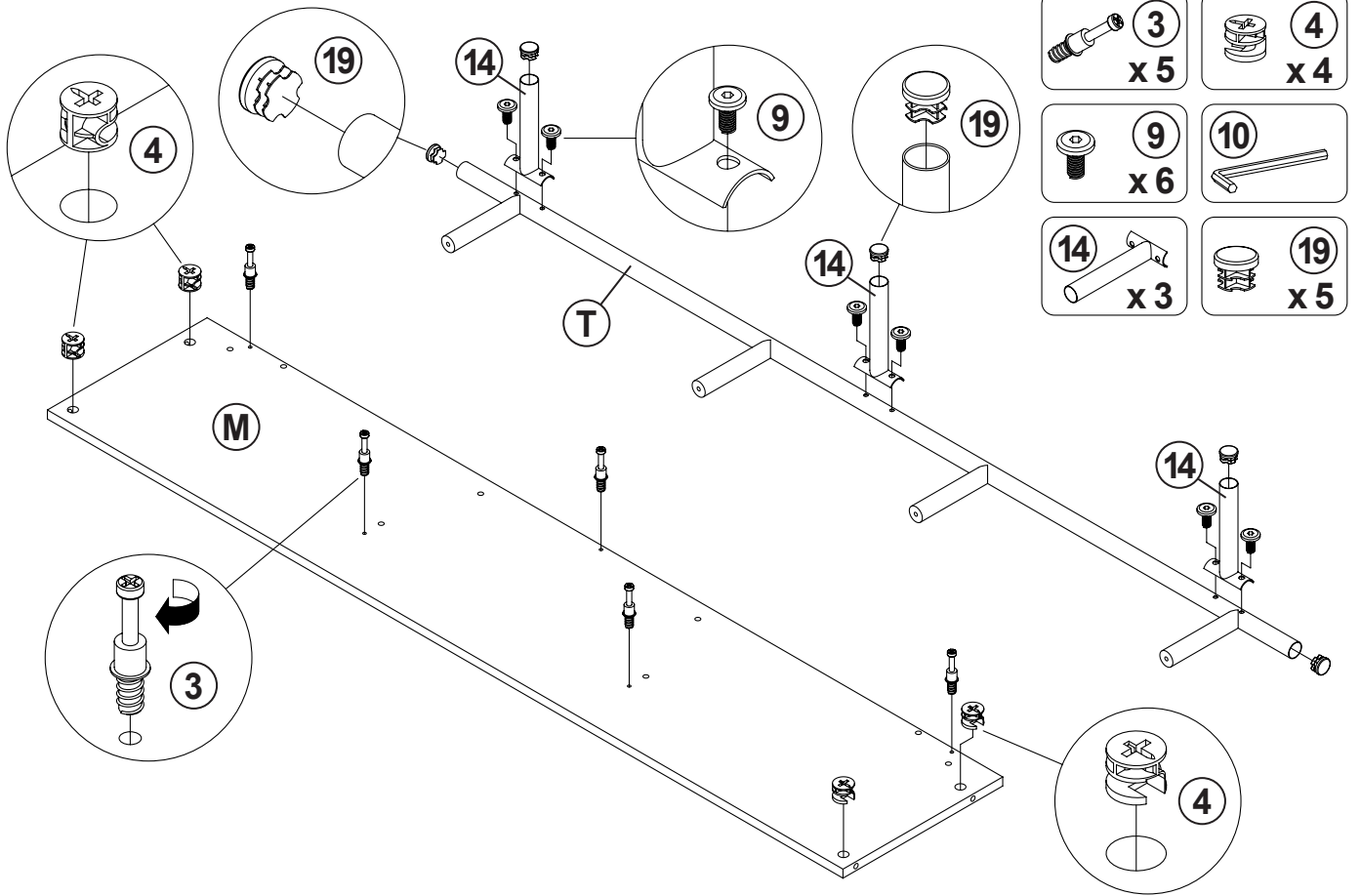




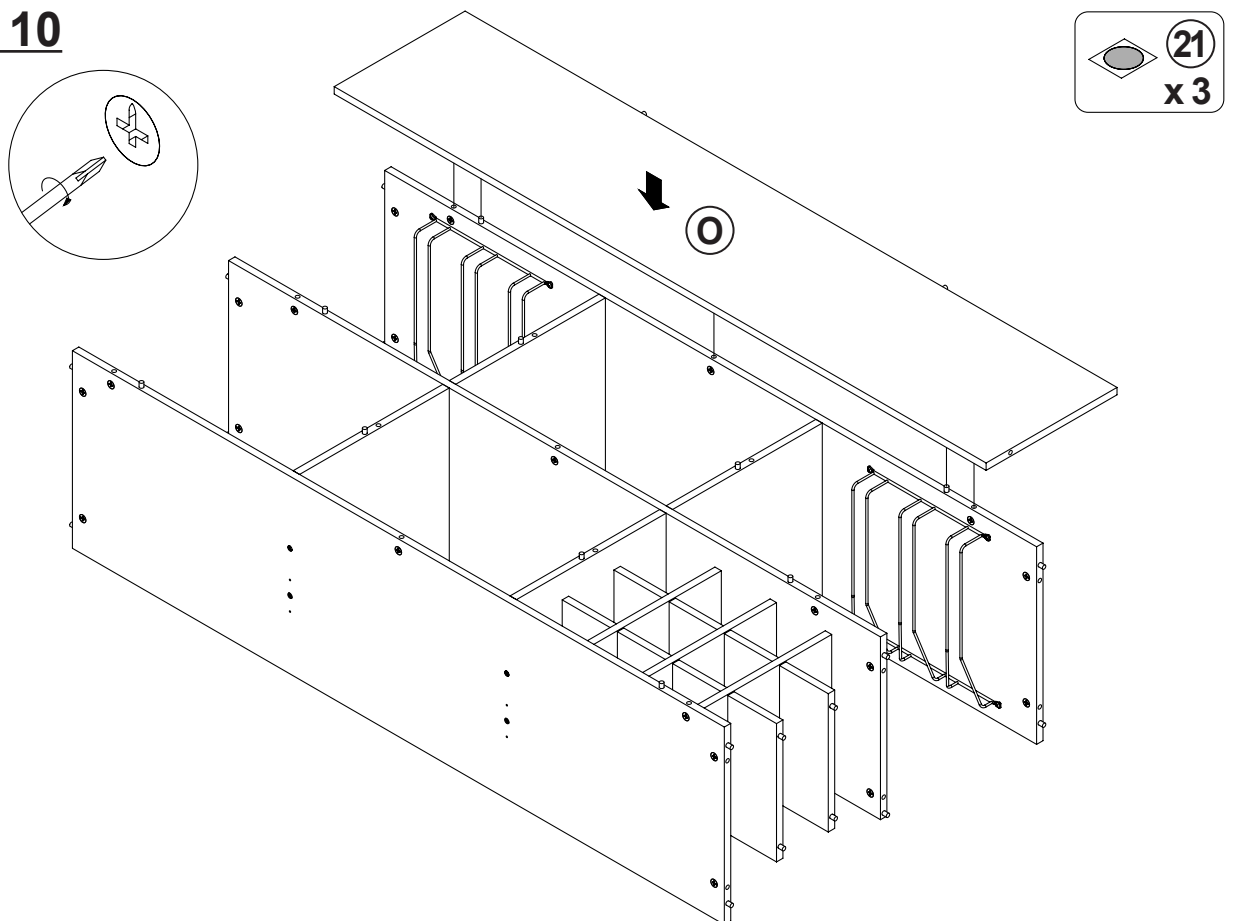
ITEM: **182104**

**COASTER**  
FINE FURNITURE

**STEP 9**



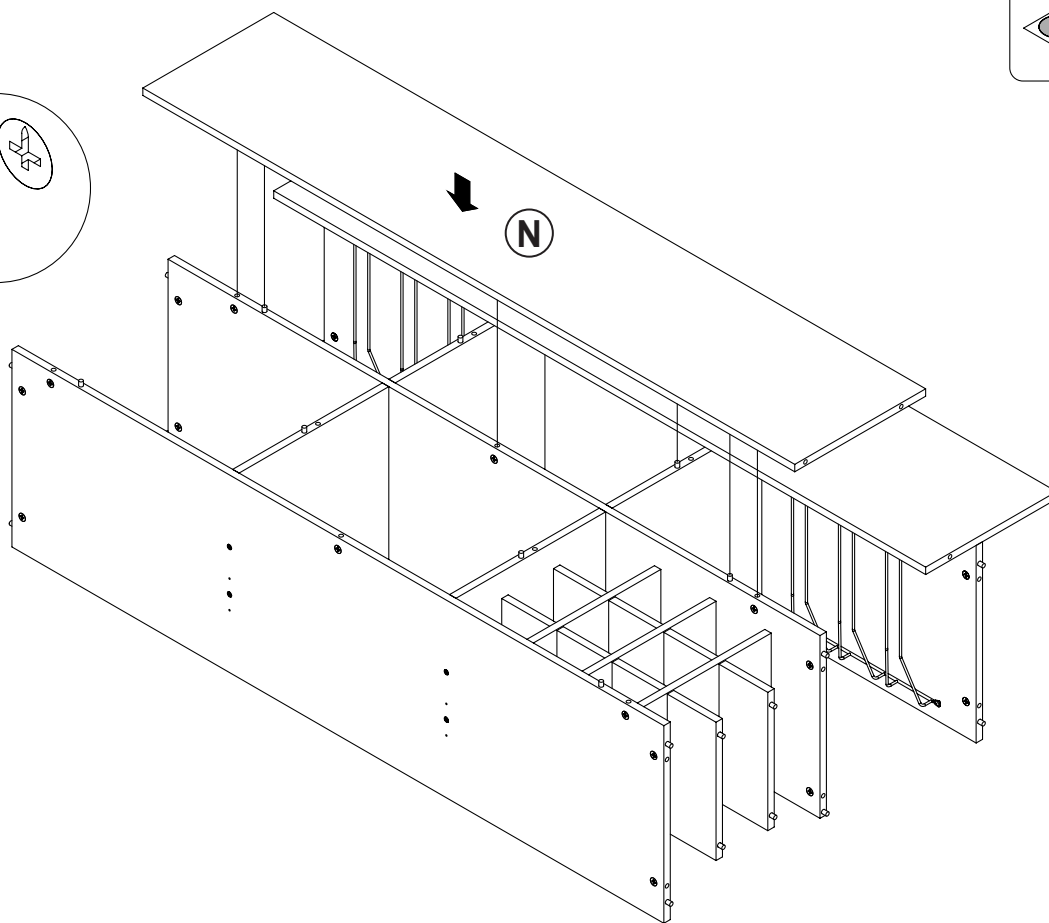
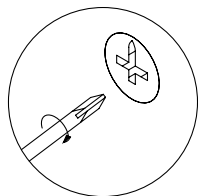
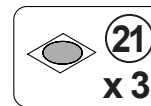
**STEP 10**



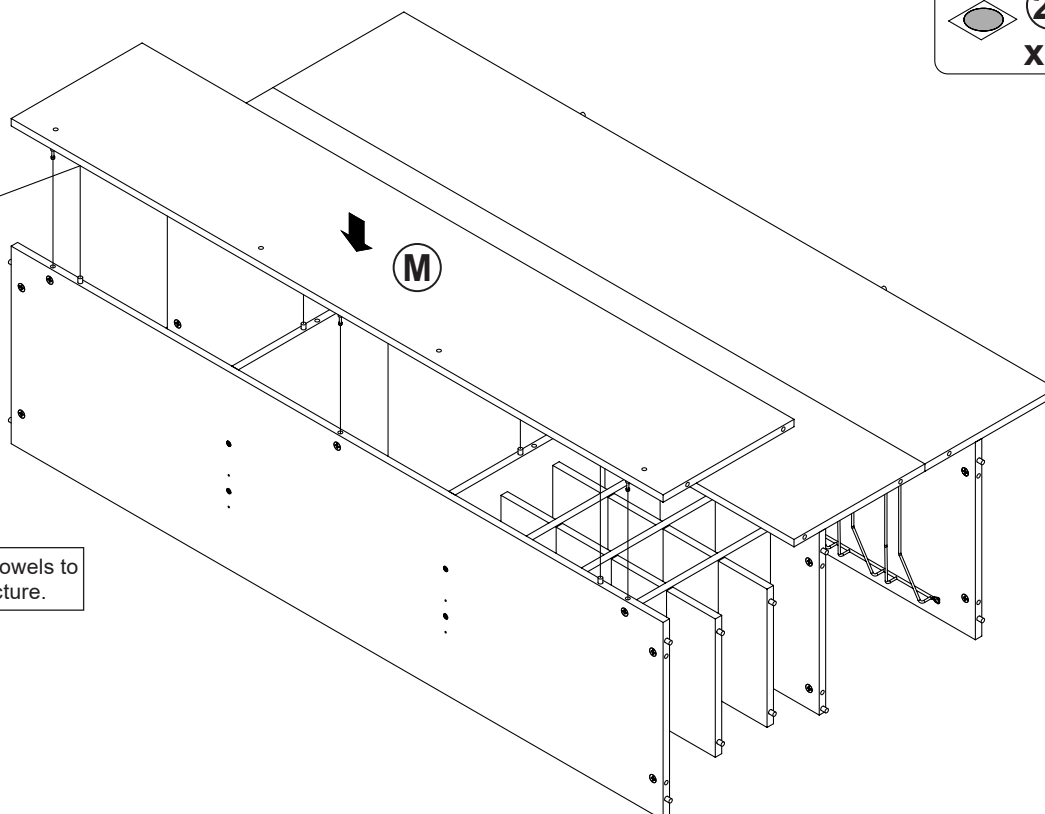
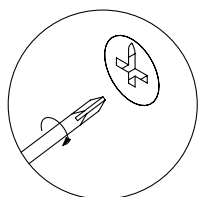
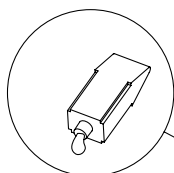
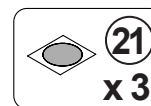


ITEM: **182104**

**STEP 11**



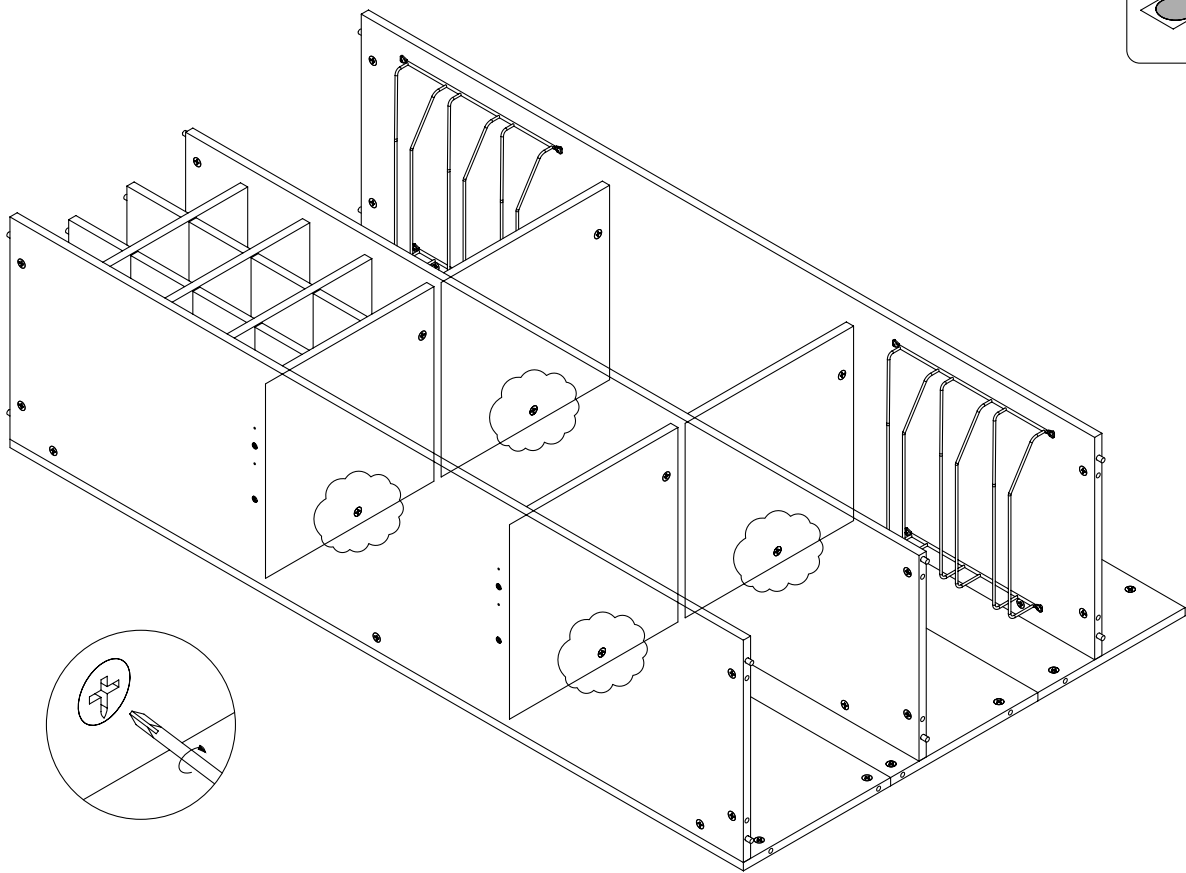
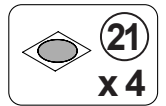
**STEP 12**



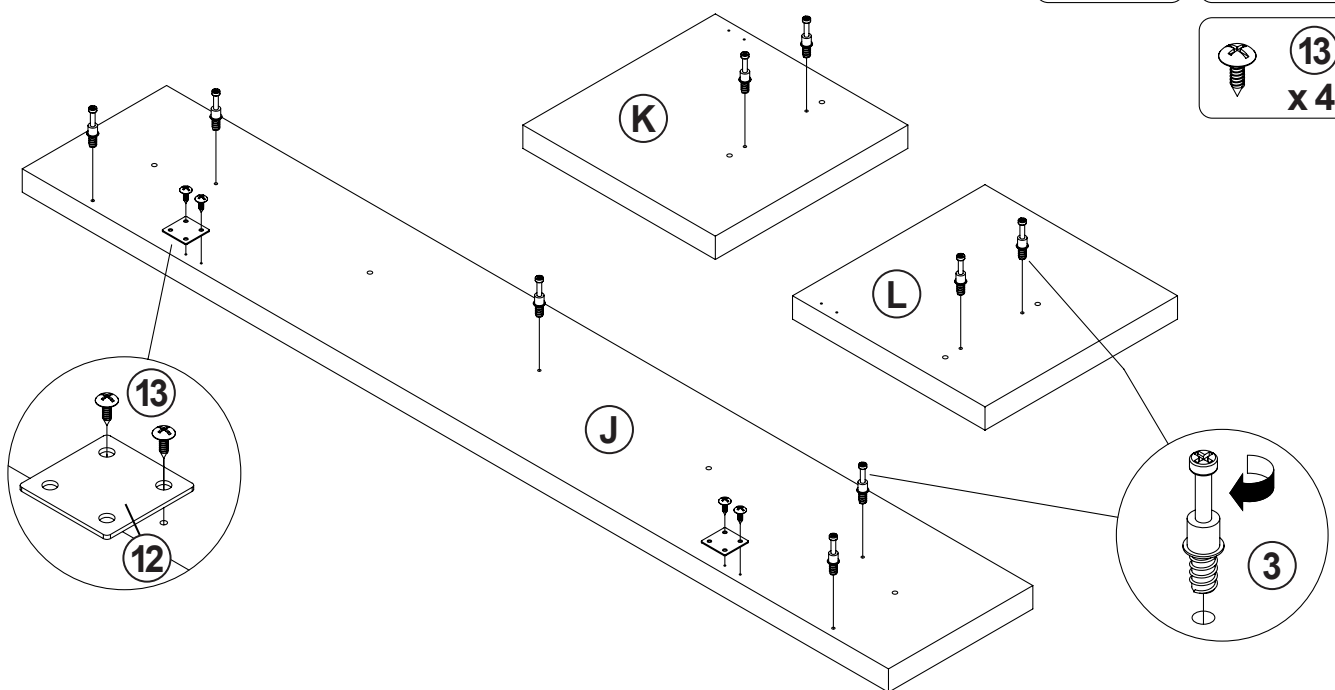
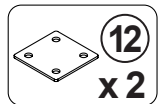
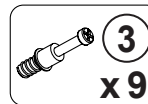
Apply glue on all wooden dowels to ensure integrity of the structure.

ITEM: **182104**

**STEP 13**



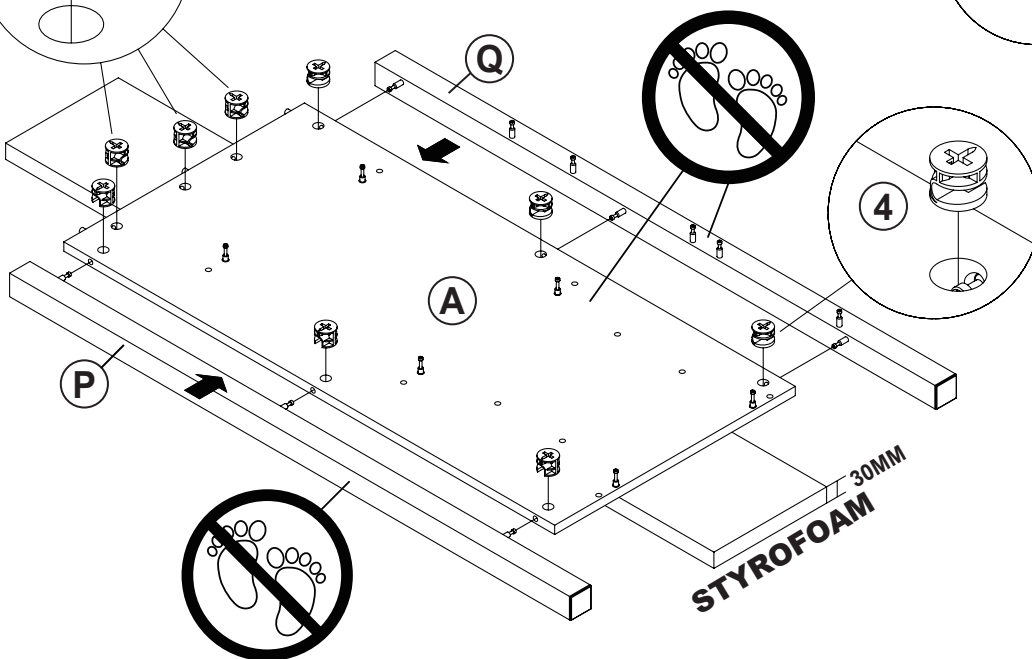
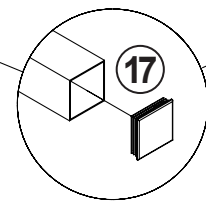
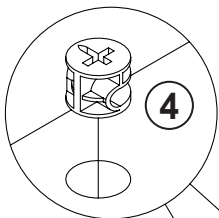
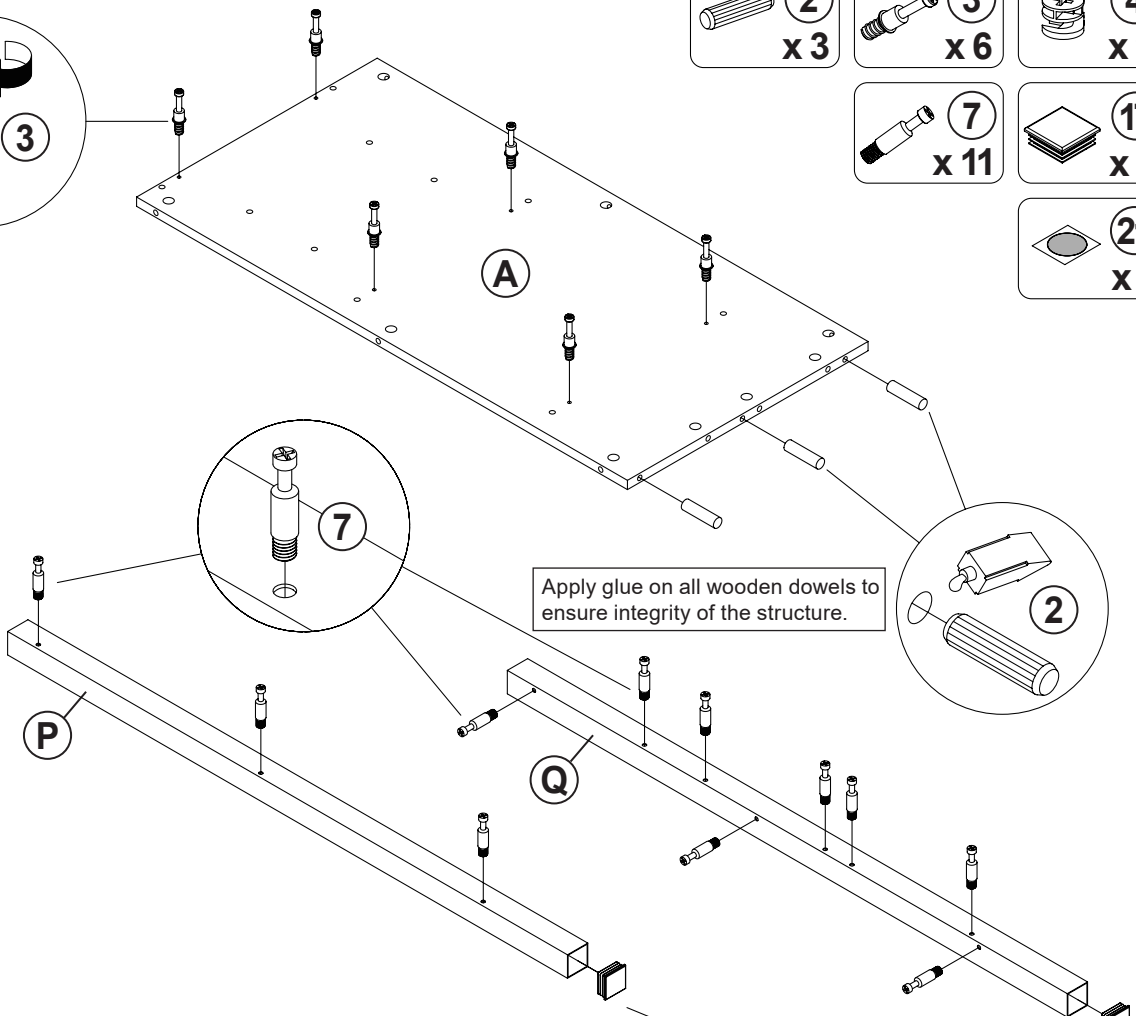
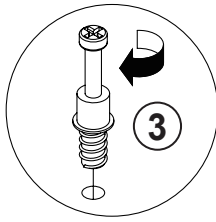
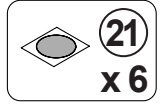
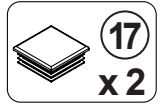
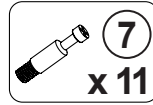
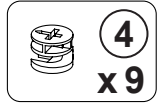
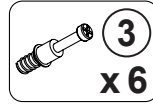
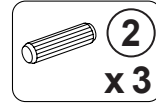
**STEP 14**



ITEM: 182104

**COASTER**  
FINE FURNITURE

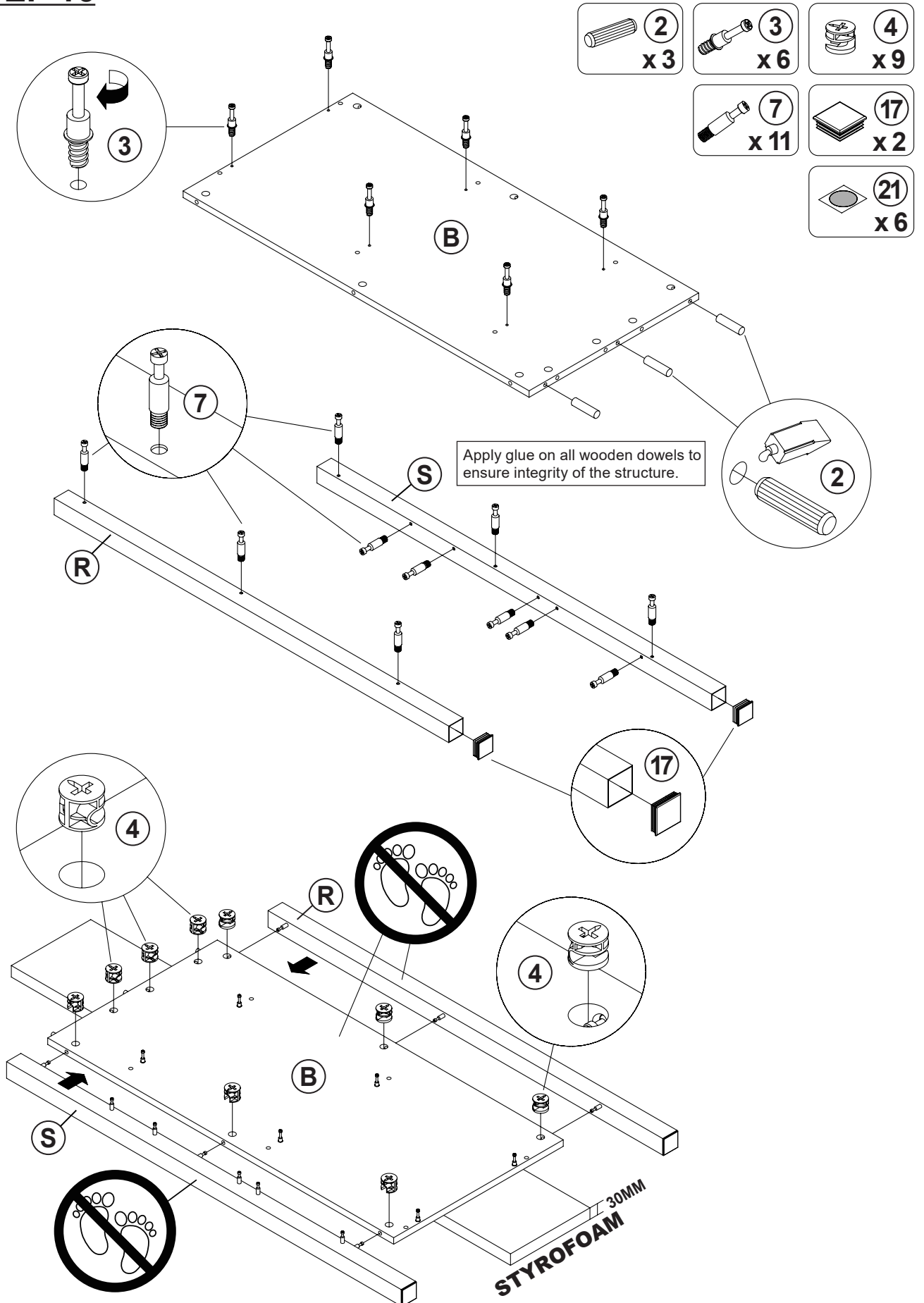
**STEP 15**



ITEM: 182104

**COASTER**  
FINE FURNITURE

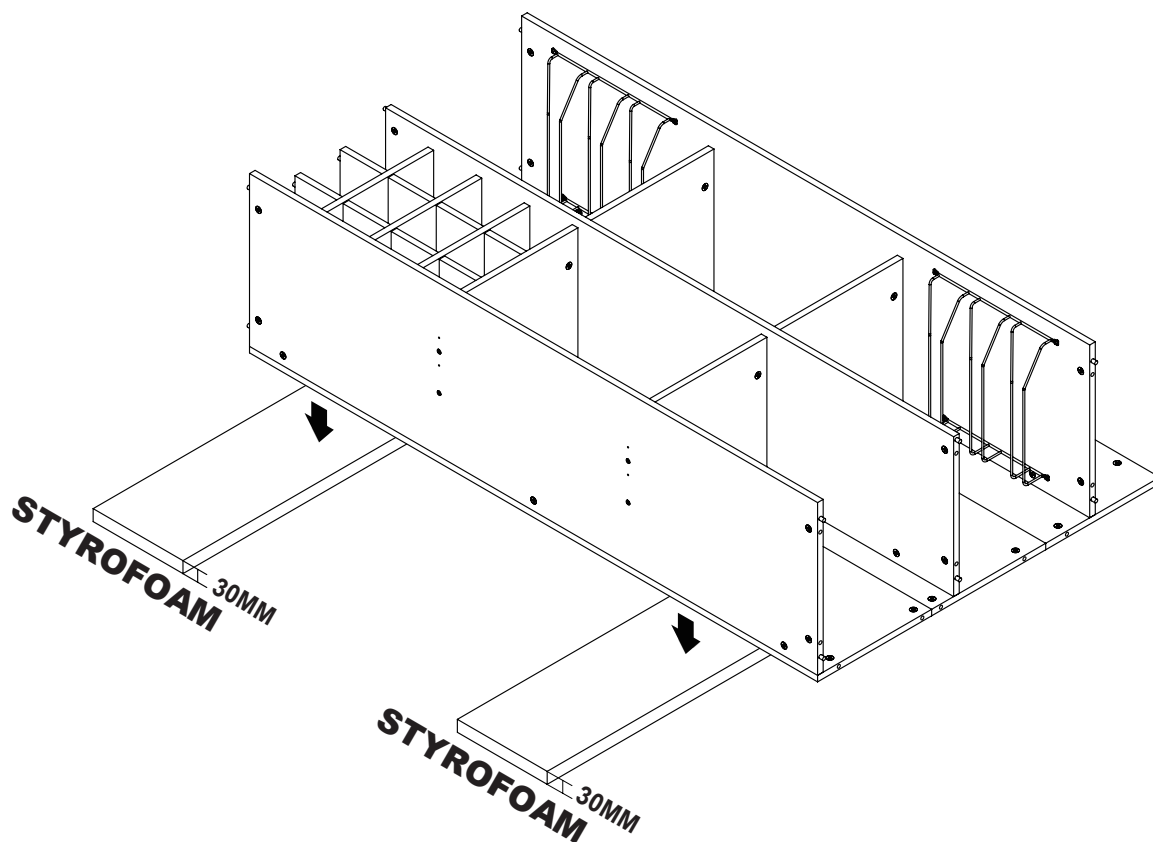
**STEP 16**



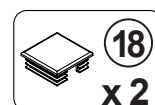
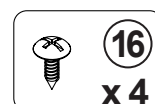
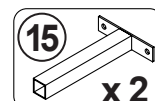
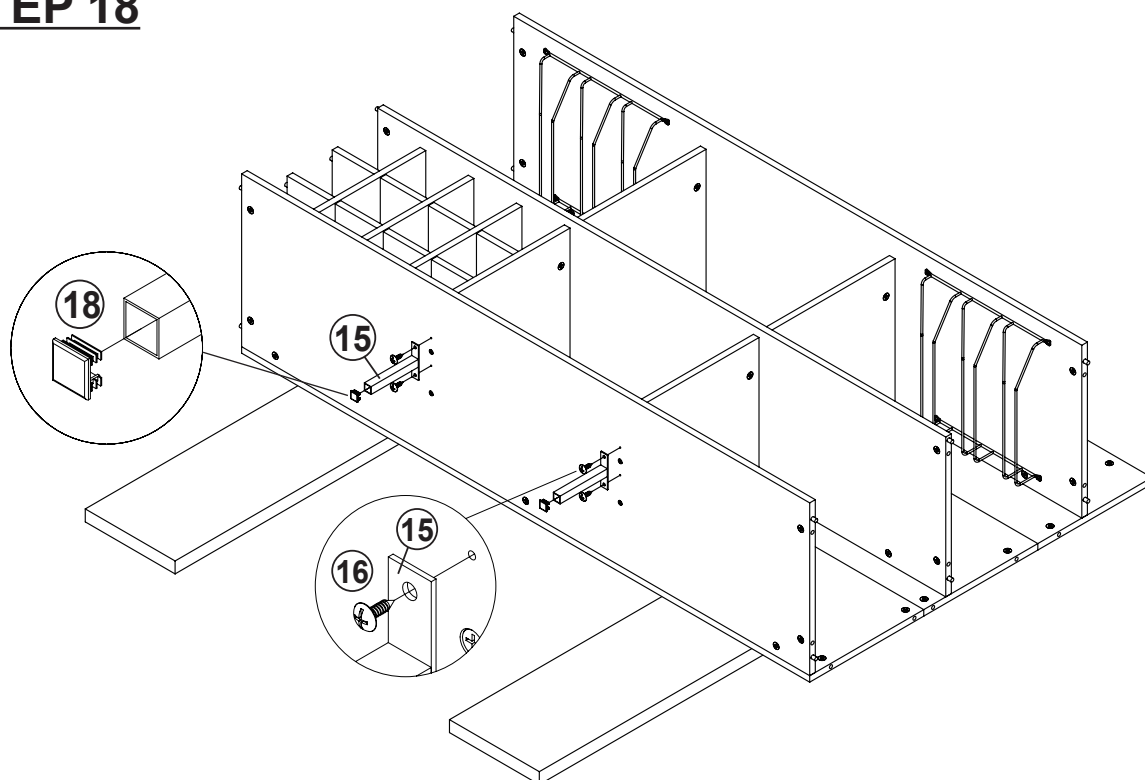
ITEM: **182104**

**STEP 17**

Please use the Styrofoam included in the packaging as a cushion during this step of the assembly.



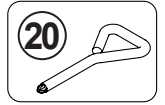
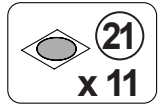
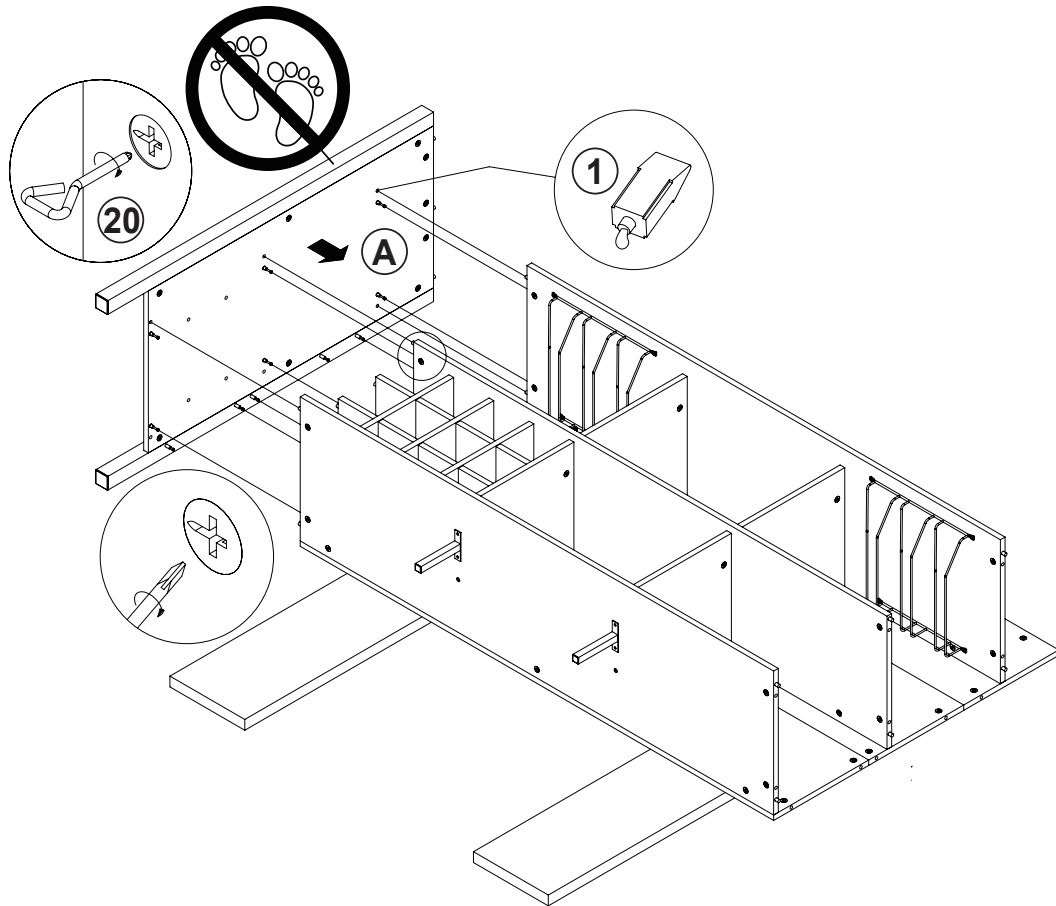
**STEP 18**



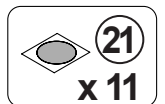
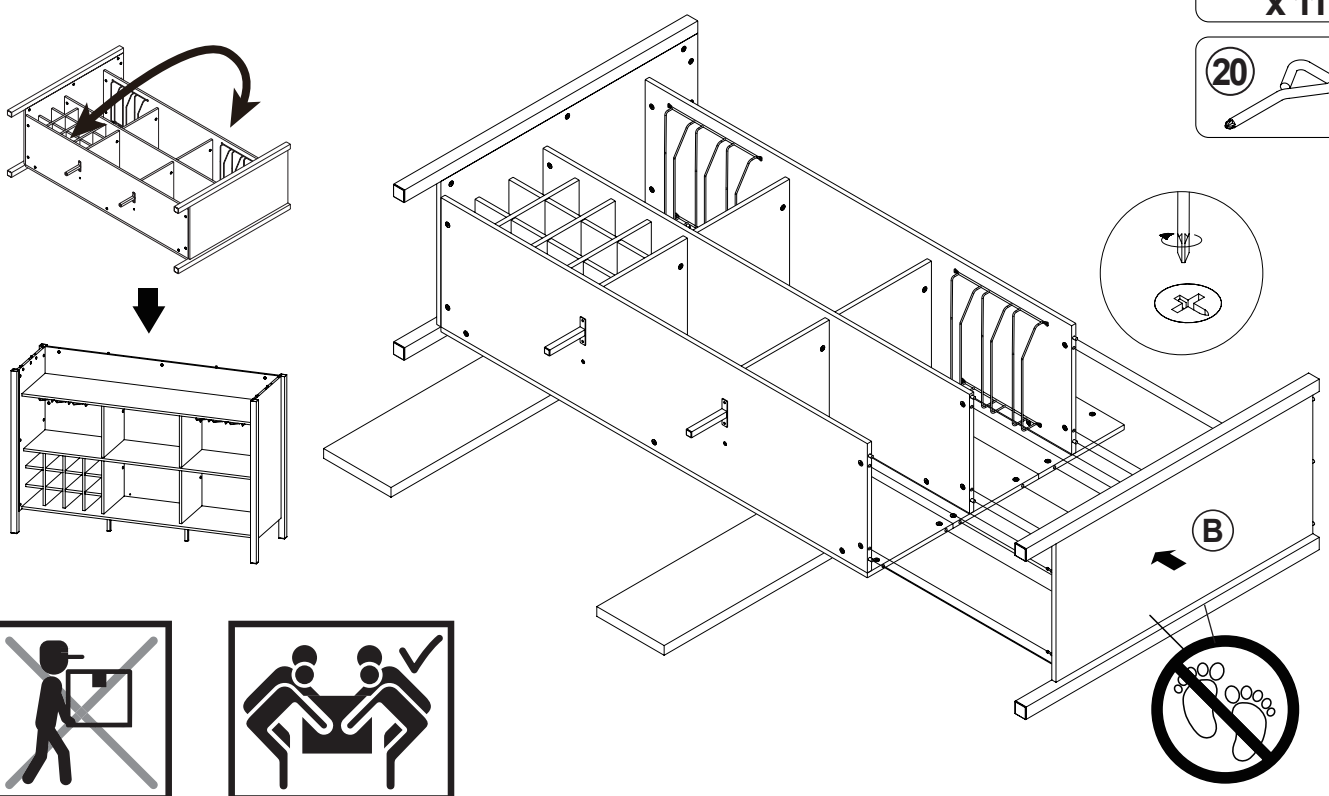
ITEM: **182104**

**COASTER**  
FINE FURNITURE

**STEP 19**



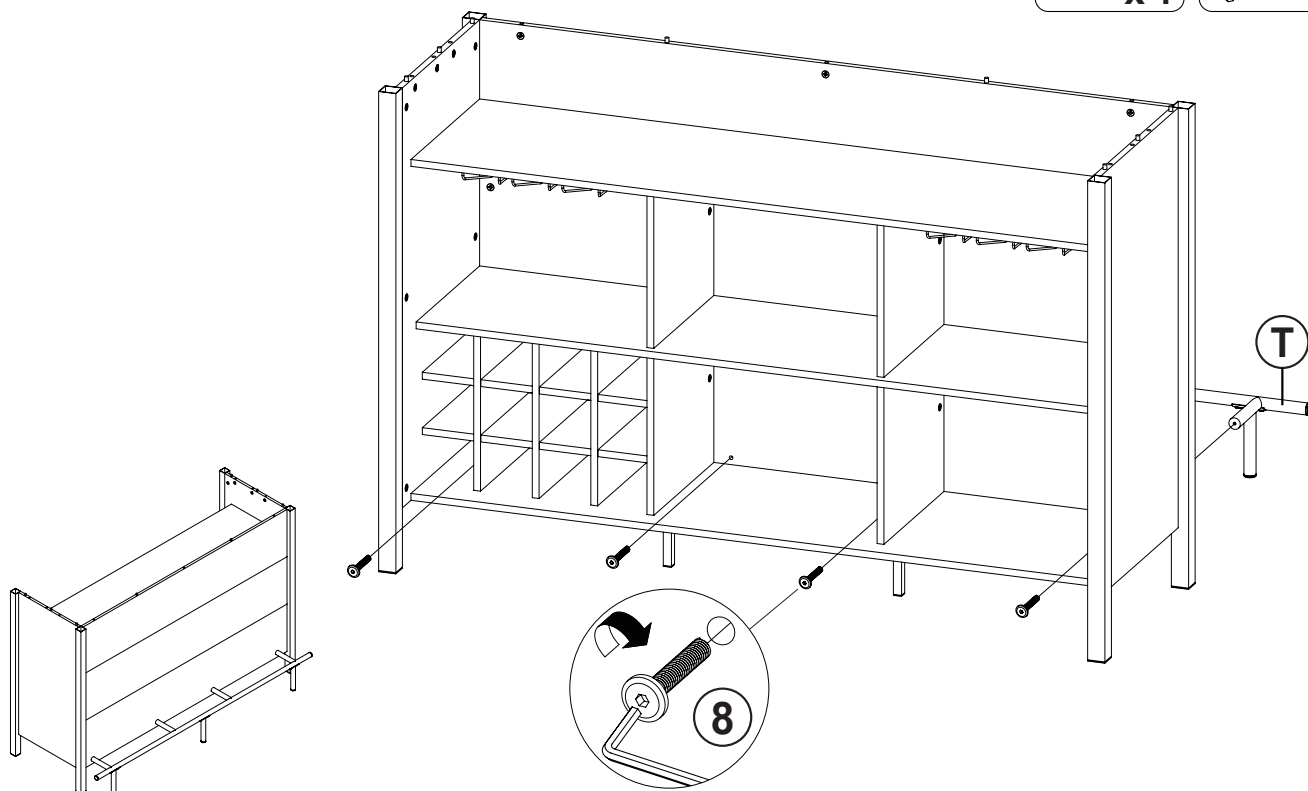
**STEP 20**



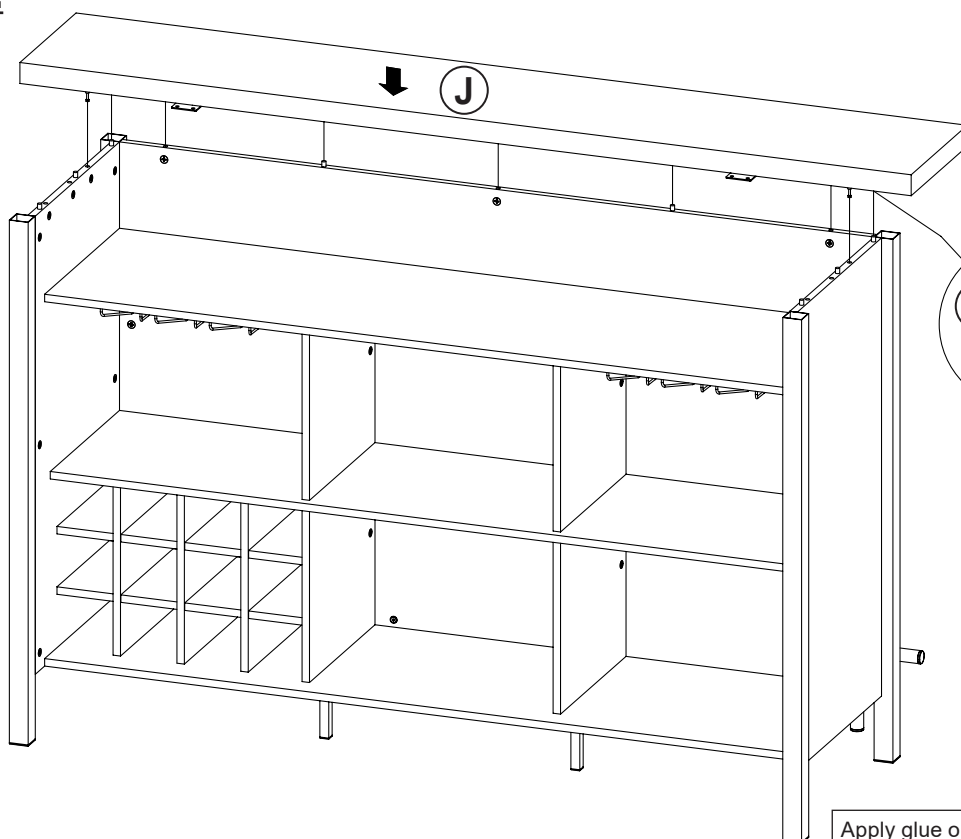
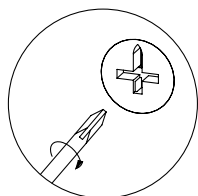
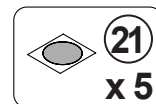
ITEM: **182104**

**COASTER**  
FINE FURNITURE

**STEP 21**



**STEP 22**



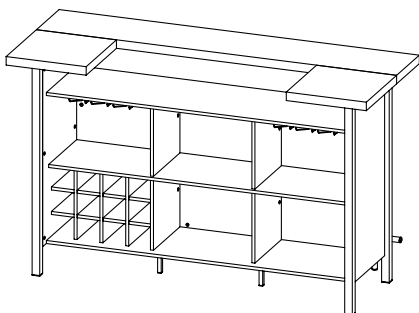
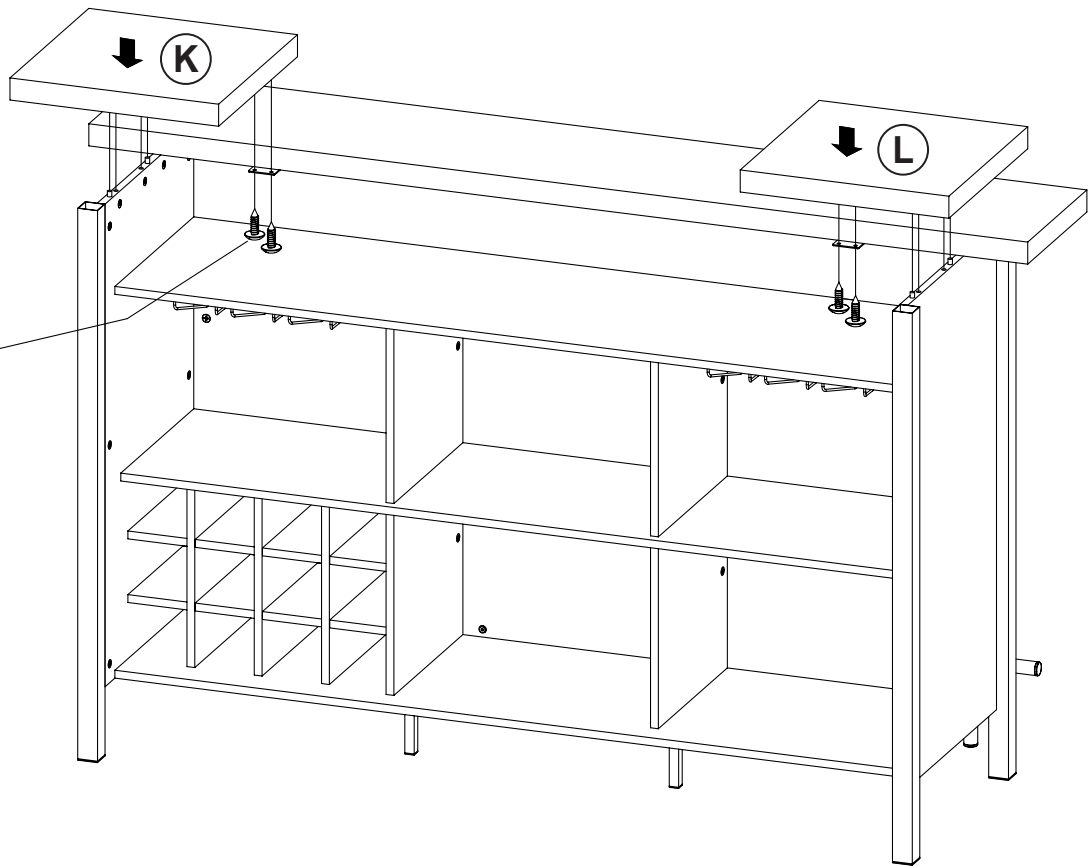
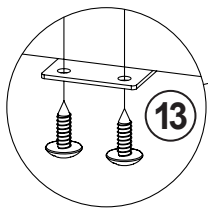
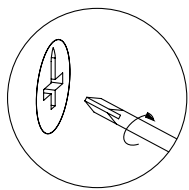
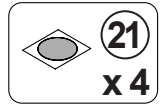
Apply glue on all wooden dowels to ensure integrity of the structure.



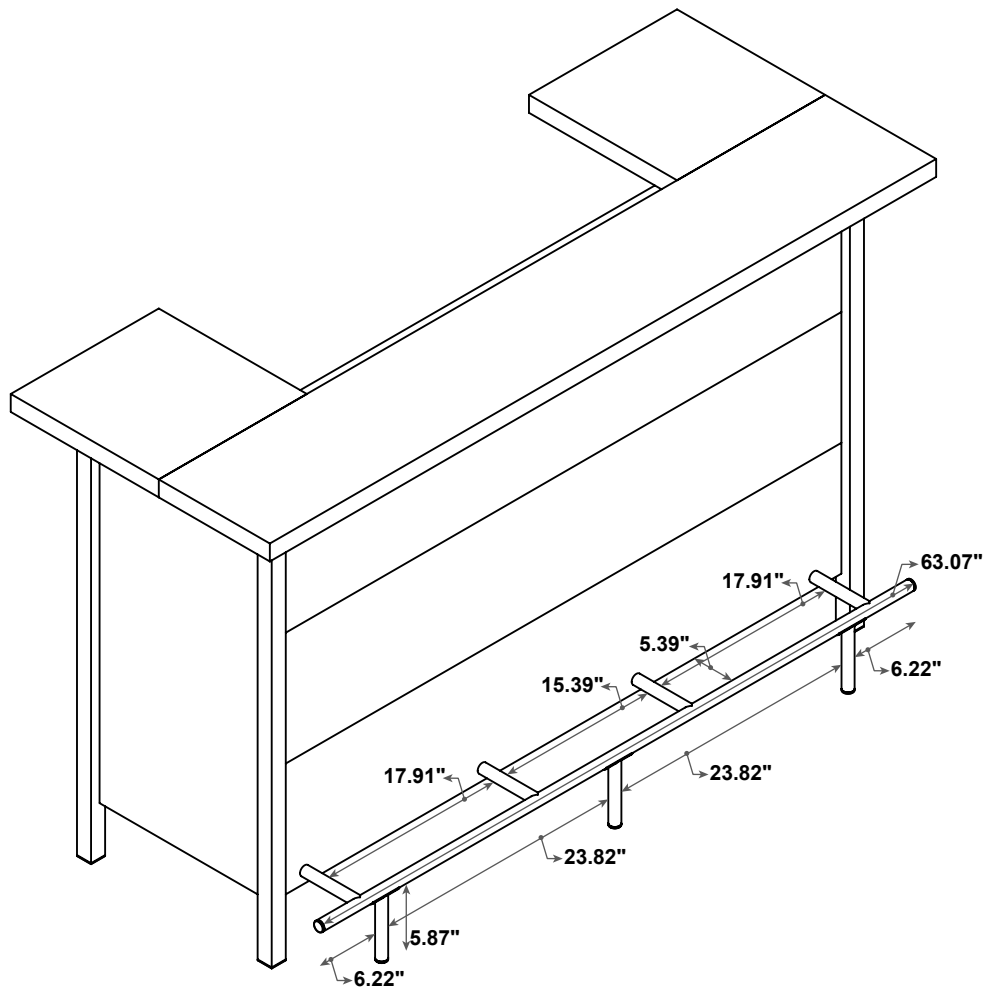
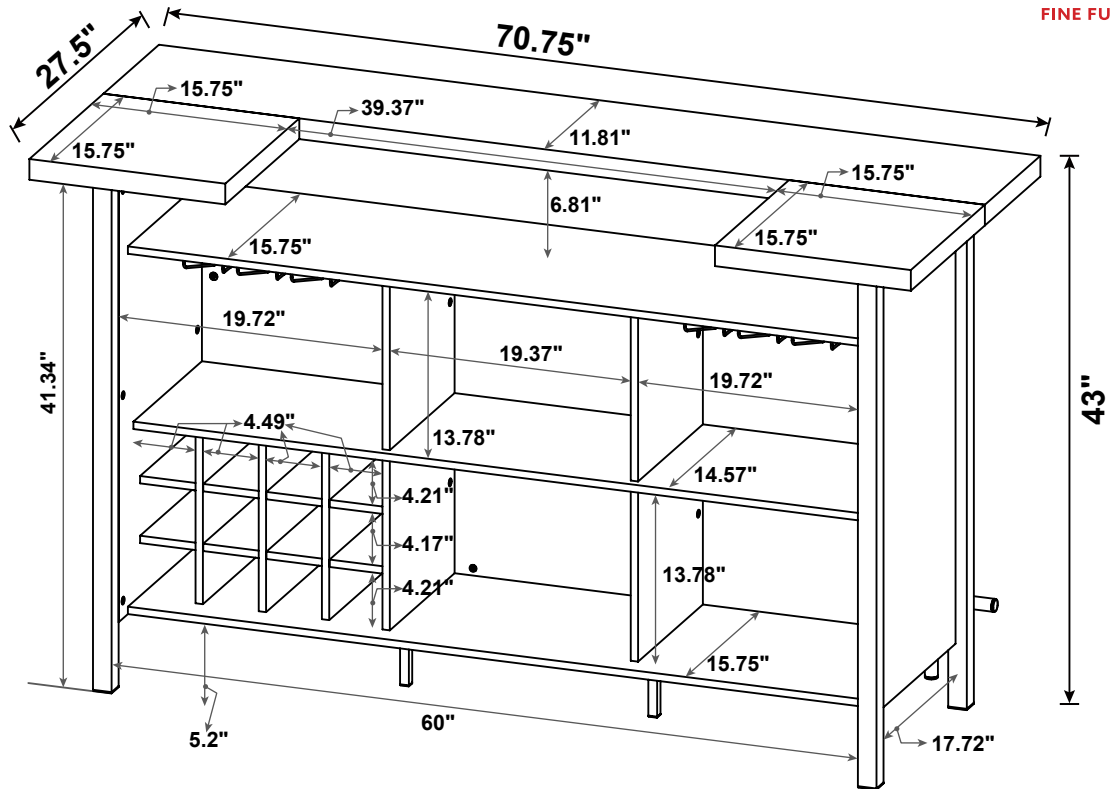
ITEM: **182104**

**STEP 23**

**COASTER**  
FINE FURNITURE



ITEM: 182104



Note : Dimension tolerance  $\pm 5\%$