

ASSEMBLY INSTRUCTIONS
COASTER FINE FURNITURE



Fine Furniture for every stage of life

223661Q (B1&B2)
Queen Bed

ITEM: 223661Q (B1&B2)



ASSEMBLY INSTRUCTIONS

ASSEMBLY TIPS:

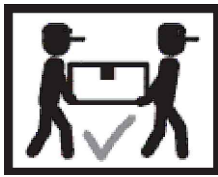
1. Remove hardware from box and sort by size.
2. Please check to see that all hardware and parts are present prior to start of assembly.
3. Please follow attached instructions in the same sequence as numbered to assure fast & easy assembly.



WARNING!

HARDWARE IDENTIFICATION

1. Don't attempt to repair or modify parts that are broken or defective. Please contact the store immediately.
2. This product is for home use only and not intended for commercial establishments



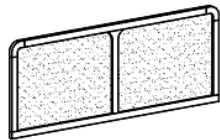
ASSEMBLY TIME

20 MINUTES

PART IDENTIFICATION

B1 (BOX 1)

A HEADBOARD PANEL



1PC

B FOOTBOARD



1PC

C HEADBOARD LEG



2PCS

D BED SLAT



4PCS

E BED SLAT SUPPORT WITH LEVELER



4PCS

B2 (BOX 2)

F BED RAIL



2PCS

NOTE:

Phillips head screw driver is required in the assembly process; however, manufacturer does not provided this item.

ITEM: 223661Q (B1&B2)



ASSEMBLY INSTRUCTIONS

ASSEMBLY TIPS:

1. Remove hardware from box and sort by size.
2. Please check to see that all hardware and parts are present prior to start of assembly.
3. Please follow attached instructions in the same sequence as numbered to assure fast & easy assembly.














WARNING!

HARDWARE IDENTIFICATION

1. Don't attempt to repair or modify parts that are broken or defective. Please contact the store immediately.
2. This product is for home use only and not intended for commercial establishments

HARDWARE IDENTIFICATION

Z-B1 (BOX 1) - HARDWARE PACK IS LOCATED IN 223661Q (B1)

1	BOLT (M6 x 50mm - BLK)		4PCS	7	FLAT HEAD SCREW (M4 x 25mm)		8PCS
2	WOOD DOWEL (M10Ø x 40mm)		10PCS	8	SMALL ALLEN WRENCH (M4 x 100mm - BLK)		1PC
3	THREADED BOLT (M6 x 60mm)		8PCS	9	FLAT WASHER (1/4" x 19 Ø)		4PCS
4	HEX NUT (M6)		8PCS	10	LOCK WASHER (1/4" x 12 Ø)		4PCS
5	HALF ROUND NUT (Ø7.5mm)		8PCS	11	WRENCH (M6 x 10mm)		1PC
6	U-SQUARE WASHER		8PCS				

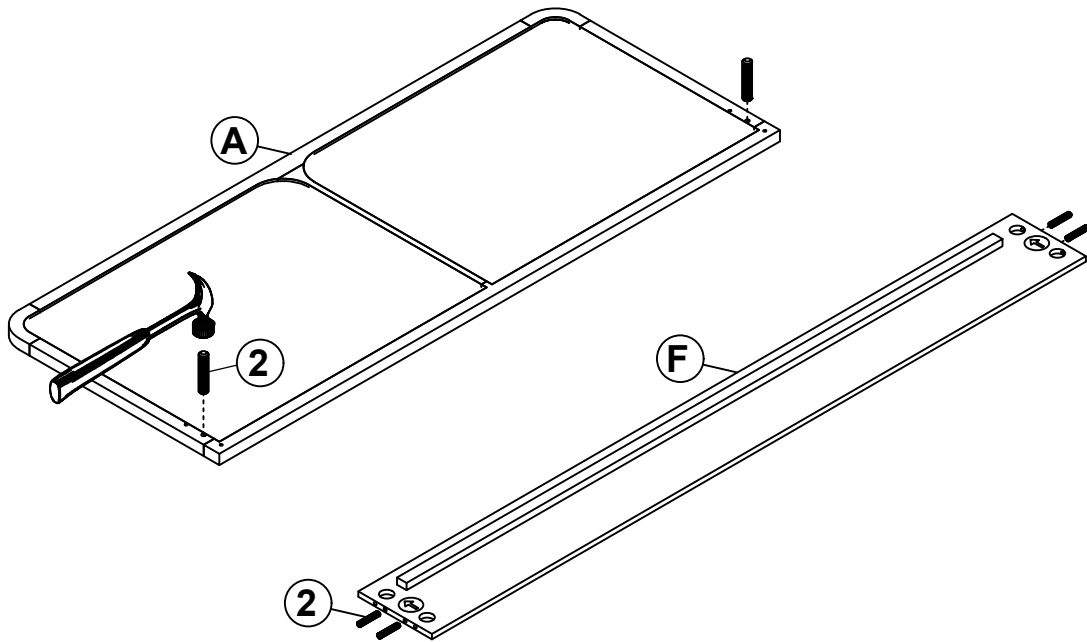
NOTE:

Phillips head screw driver is required in the assembly process; however, manufacturer does not provided this item.

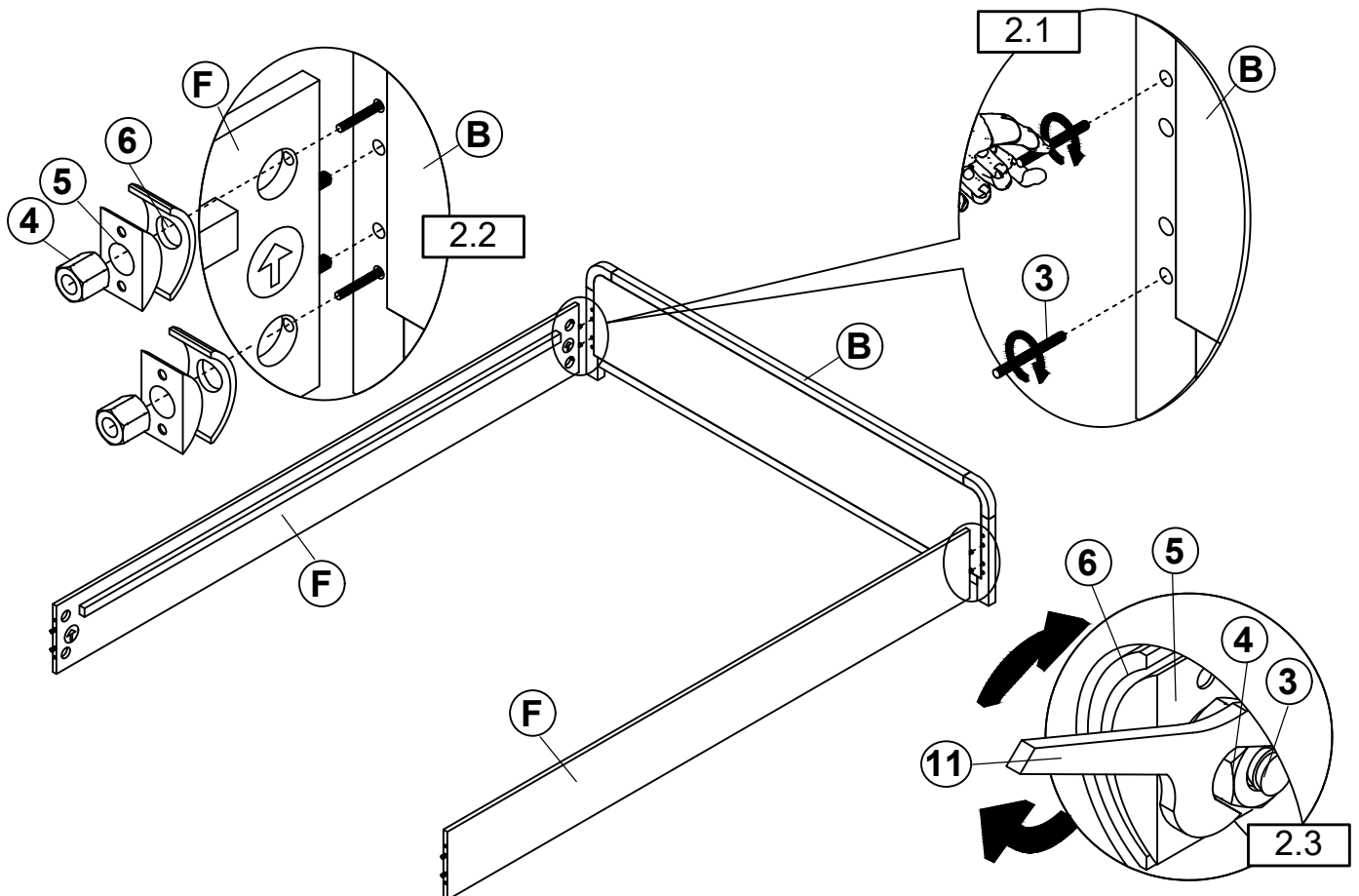
ITEM: 223661Q (B1&B2)

ASSEMBLY INSTRUCTIONS

STEP 1



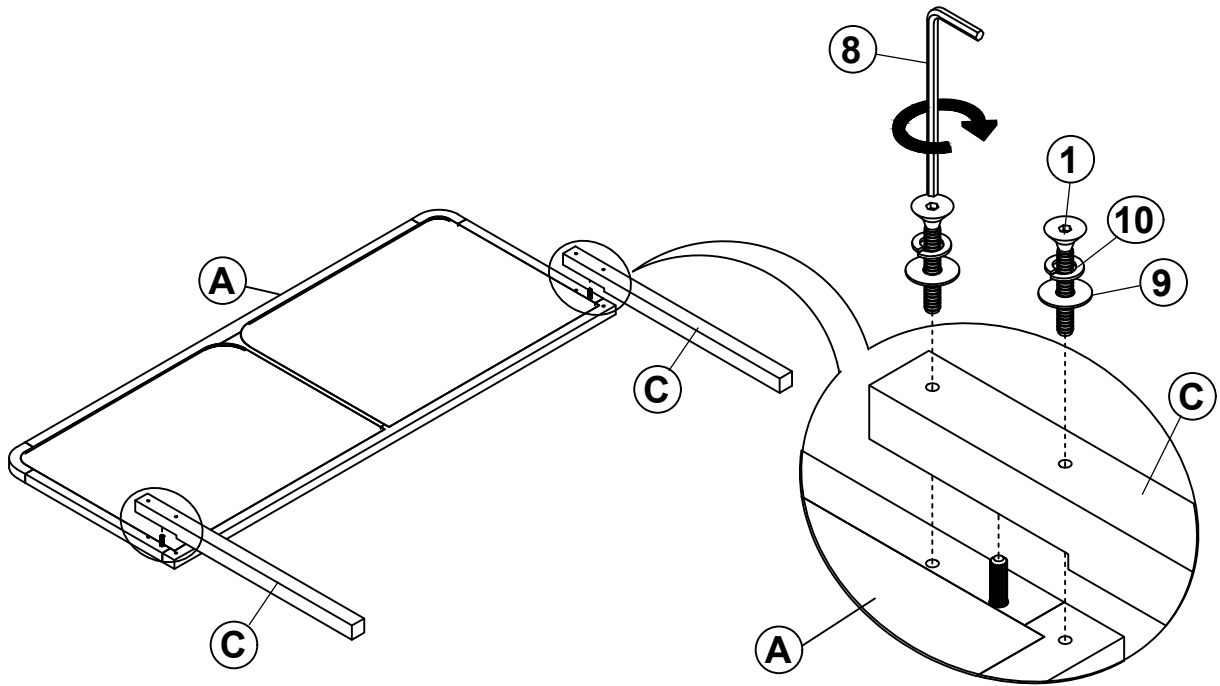
STEP 2



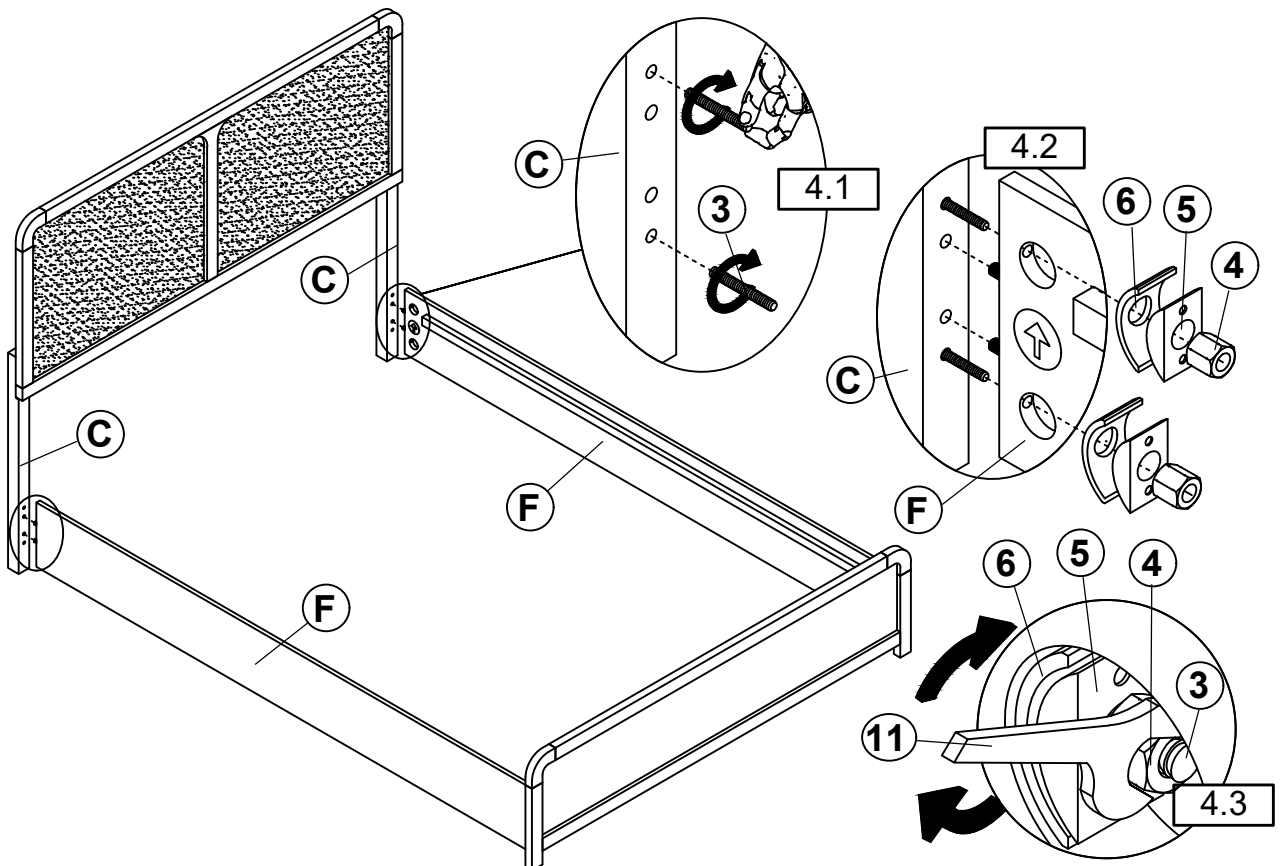
ITEM: 223661Q (B1&B2)

ASSEMBLY INSTRUCTIONS

STEP 3



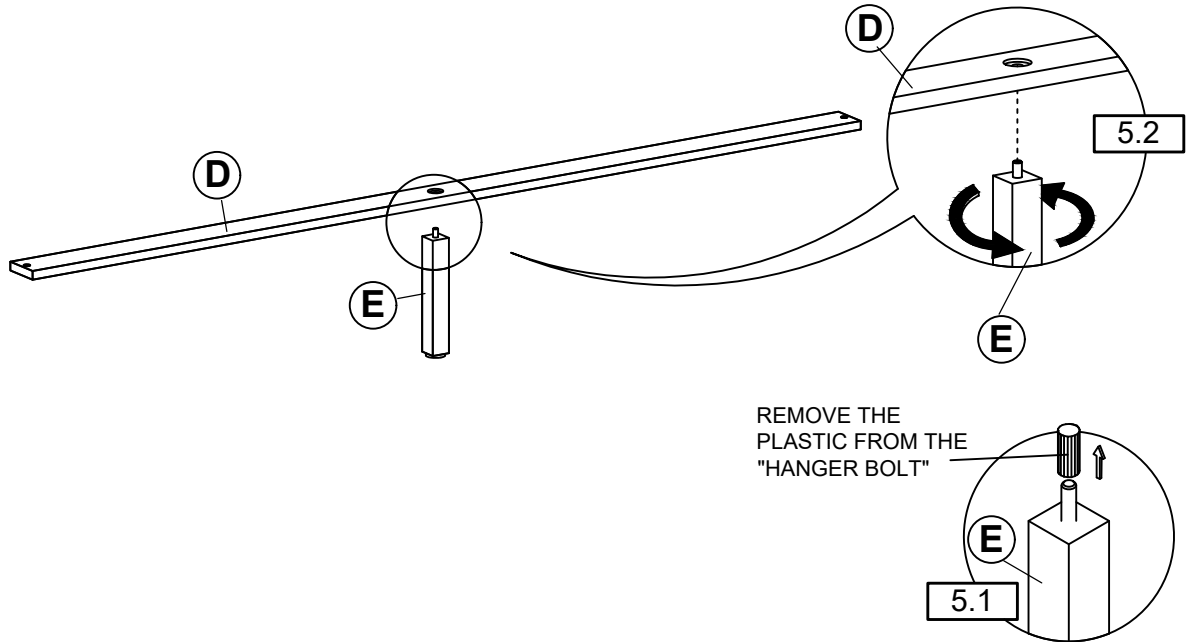
STEP 4



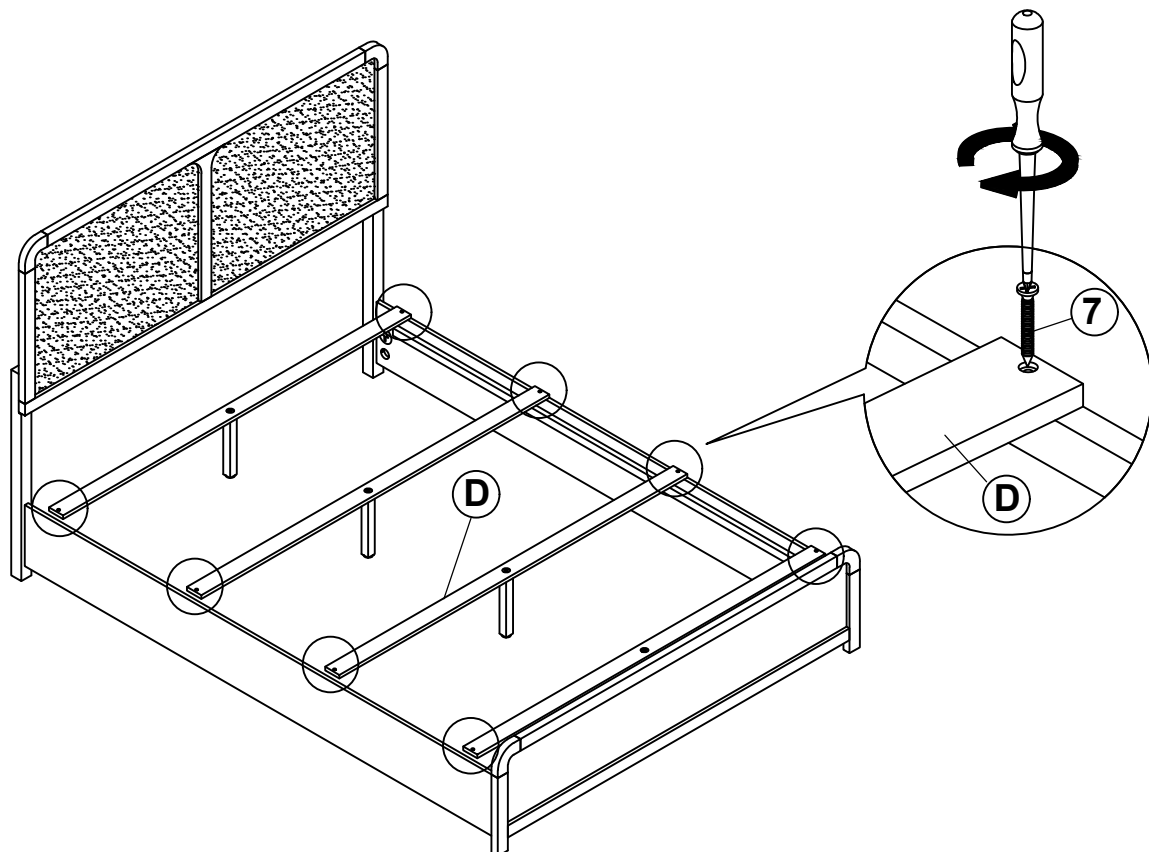
ITEM: 223661Q (B1&B2)

ASSEMBLY INSTRUCTIONS

STEP 5



STEP 6



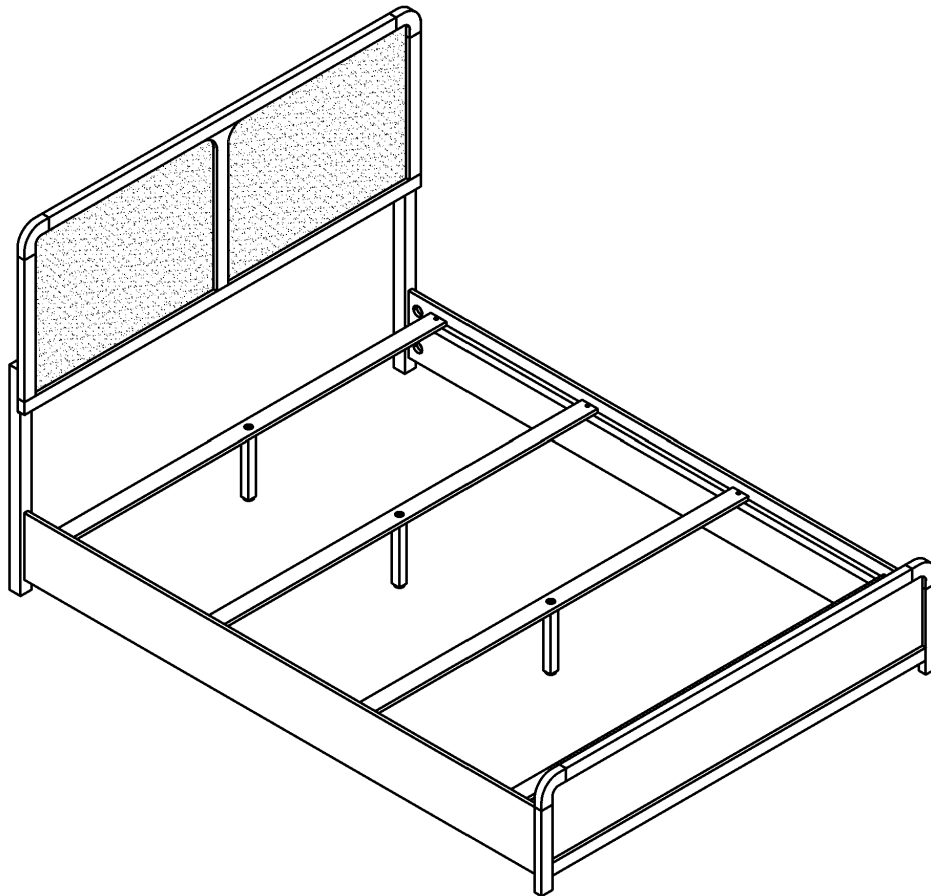
ITEM: **223661Q (B1&B2)**



ASSEMBLY INSTRUCTIONS

STEP 7

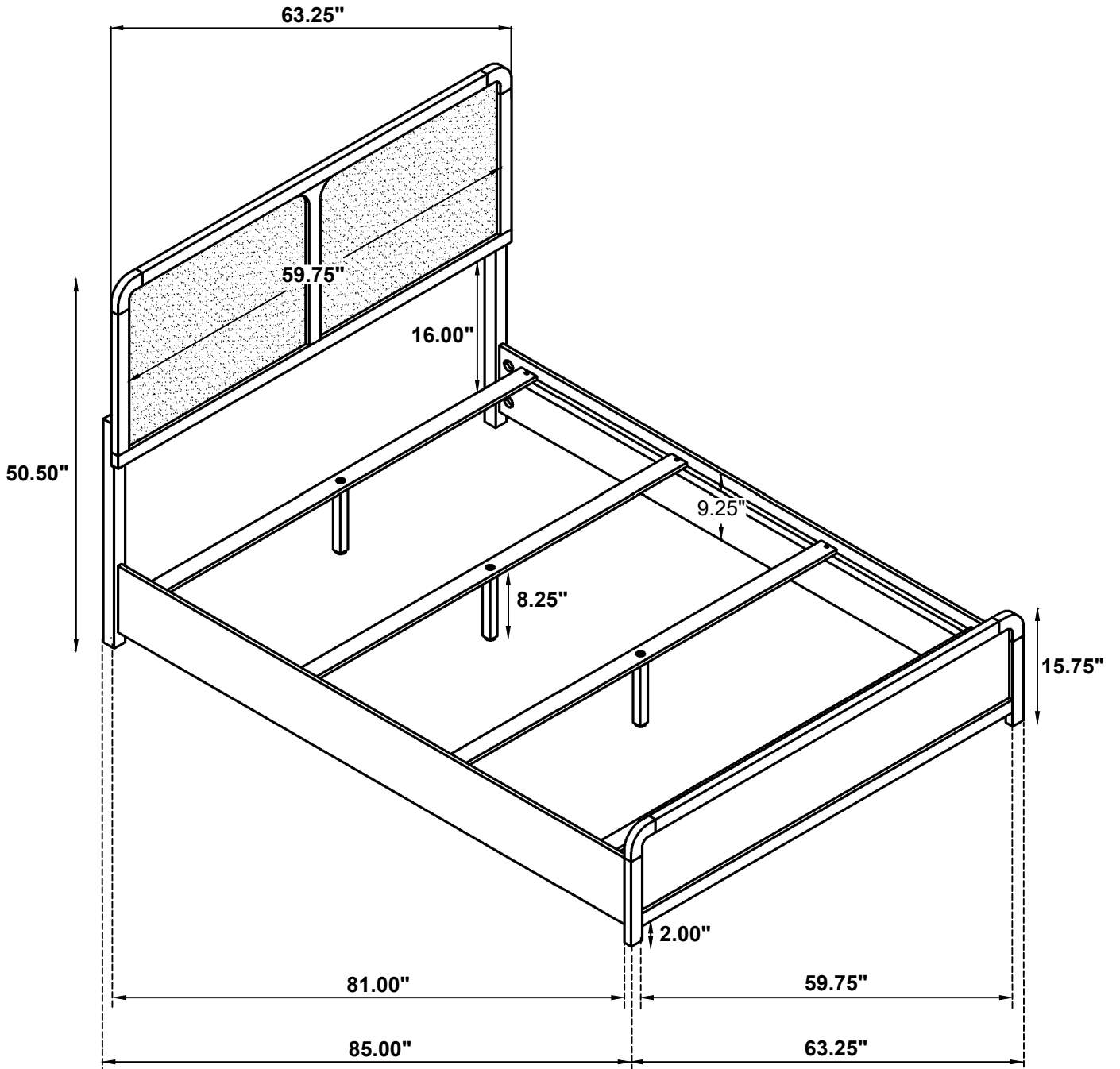
COMPLETE



ITEM: **223661Q (B1&B2)**



Inner size: 60.75"W X 82.00"D



Note : Dimension tolerance $\pm 5\%$