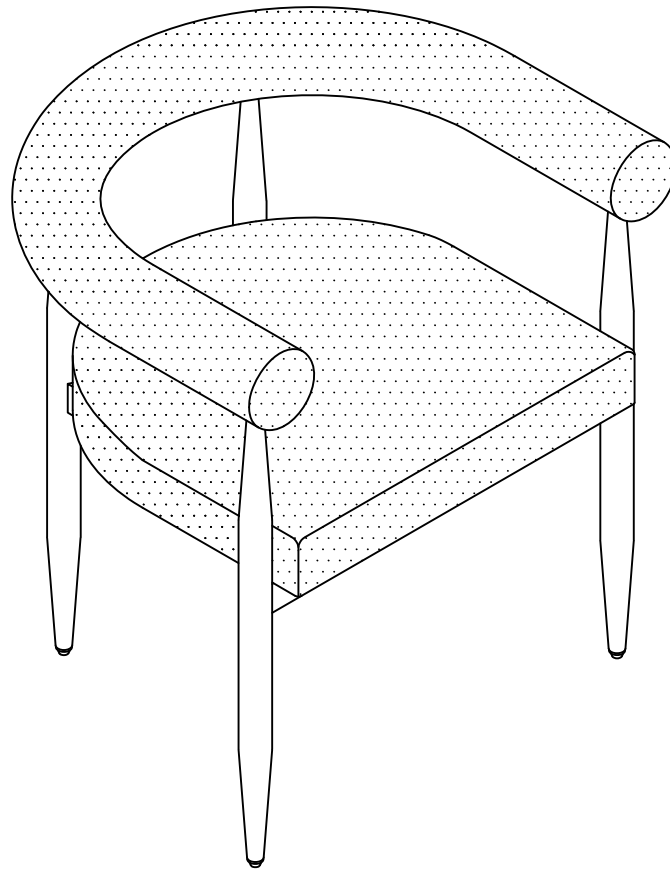


ASSEMBLY INSTRUCTIONS
COASTER FINE FURNITURE



Fine Furniture for every stage of life

105782/105762
ARM CHAIR

ITEM: **105782/105762**



ASSEMBLY INSTRUCTIONS

ASSEMBLY TIPS:

1. Remove hardware from box and sort by size.
2. Please check to see that all hardware and parts are present prior to start of assembly.
3. Please follow attached instructions in the same sequence as numbered to assure fast & easy assembly.



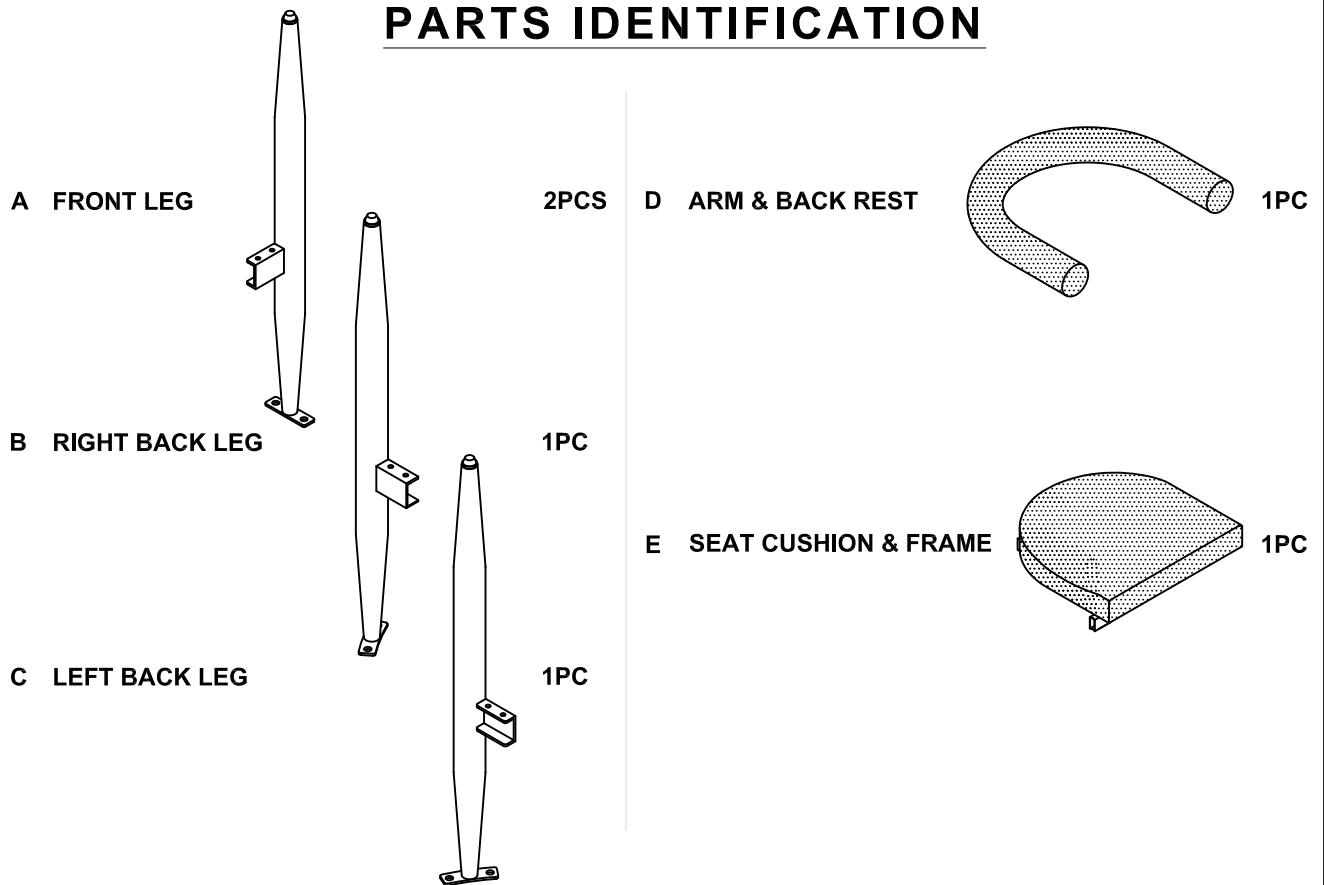
WARNING !

1. Don't attempt to repair or modify parts that are broken or defective. Please contact the store immediately.
2. This product is for home use only and not intended for commercial establishment.

ASSEMBLY TIME

15 MINUTE

PARTS IDENTIFICATION



HARDWARE IDENTIFICATION

1	BOLT (1/4"x1/2" - BLK)		8PCS	4	WASHER (ϕ 16mm - BLK)		16PCS
2	BOLT (1/4"x3/4" - BLK)		8PCS				
3	WASHER		16PCS	5	ALLEN KEY (4x22X60mm - BLK)		1PC

NOTE:

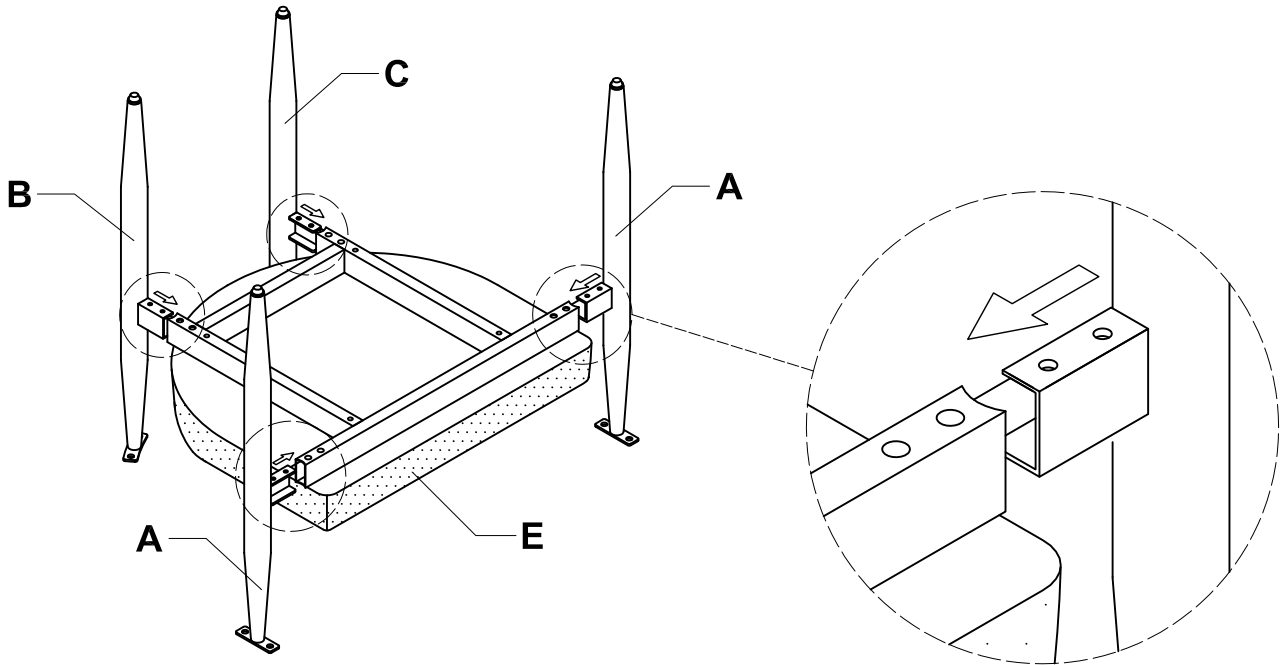
Quantities shown are for one chair.

ITEM: **105782/105762**
ASSEMBLY INSTRUCTIONS
STEP 1:



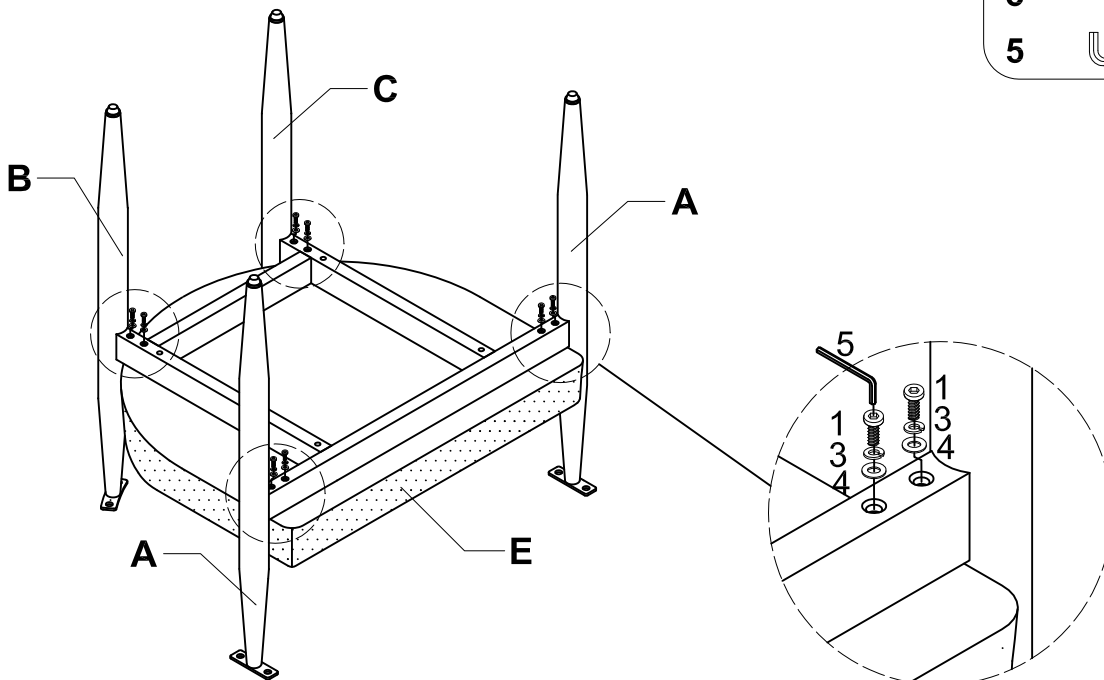
ASSEMBLY

Do not fully tighten all bolts until assembly is complete.
 This will help all parts to assemble properly.



STEP 2:

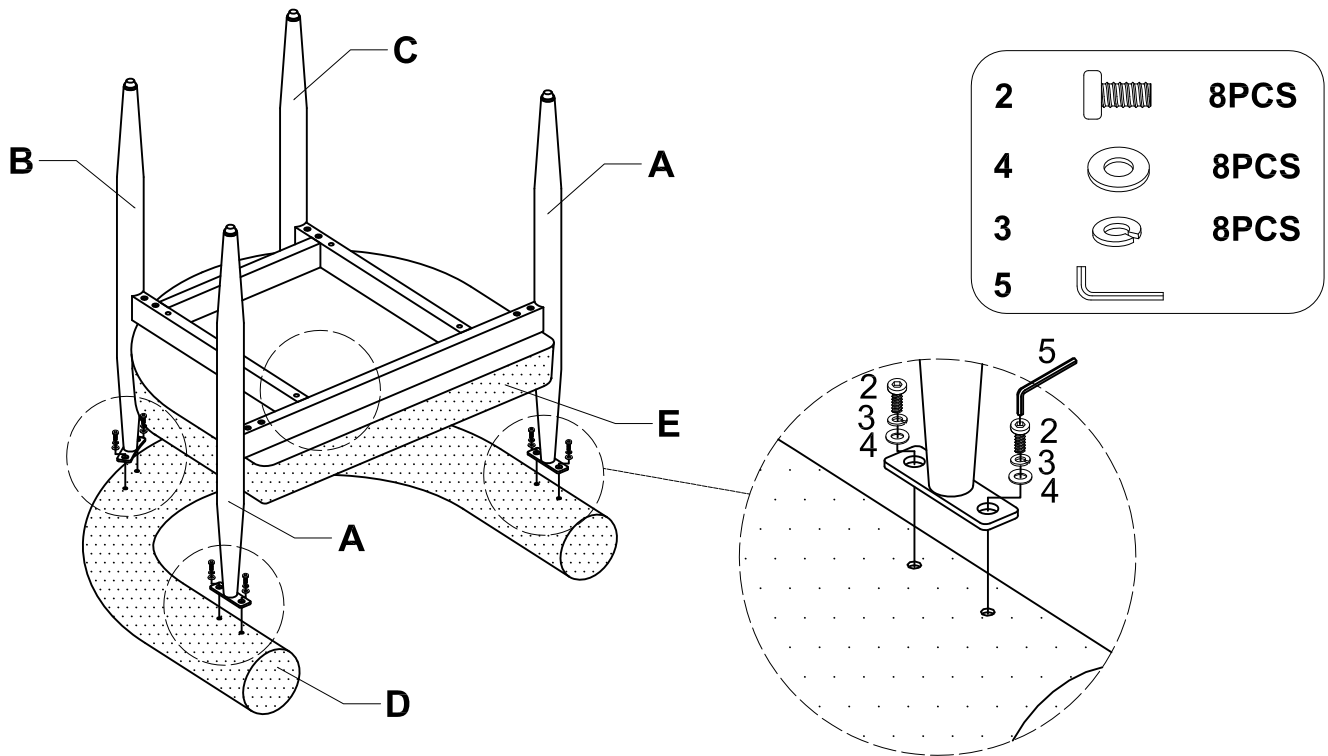
1		8PCS
4		8PCS
3		8PCS
5		



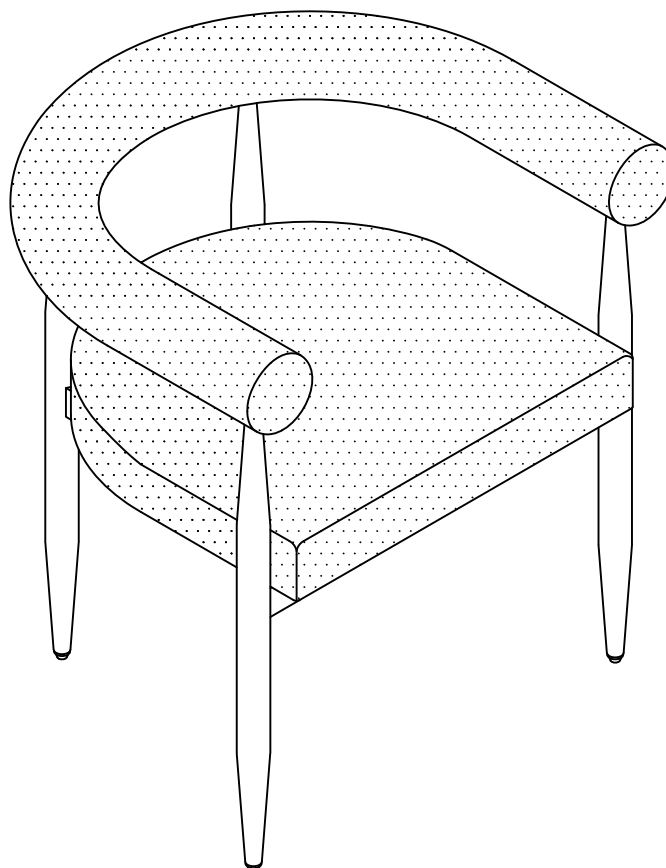
ITEM: **105782/105762**

ASSEMBLY INSTRUCTIONS

STEP 3:



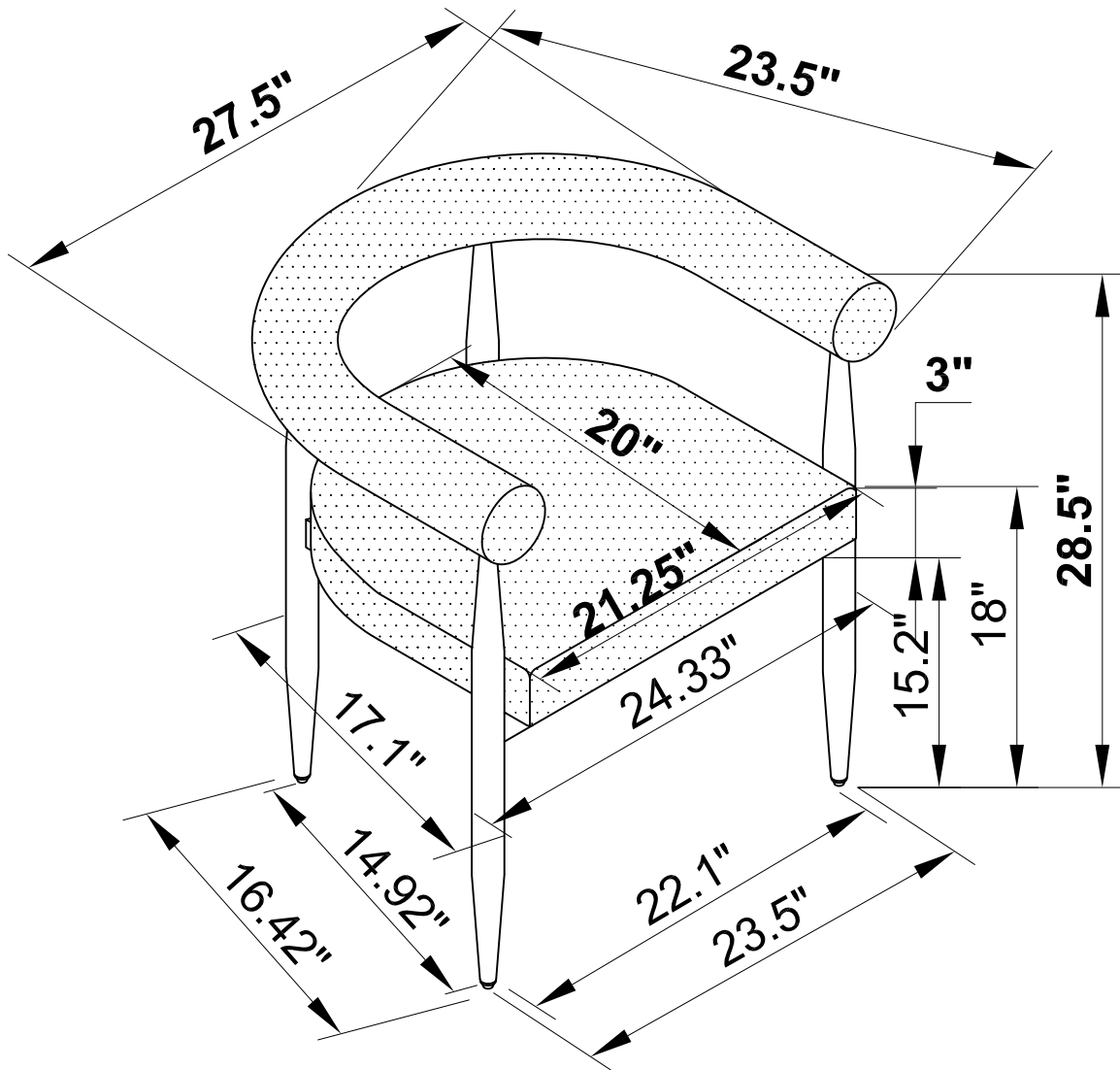
STEP 4:



ITEM: **105782/105762**

ASSEMBLY INSTRUCTIONS

STEP 5:



Note : Dimension tolerance $\pm 5\%$