

ASSEMBLY INSTRUCTIONS
COASTER FINE FURNITURE



Fine Furniture for every stage of life

950352
ACCENT CABINET

ITEM:950352



ASSEMBLY INSTRUCTIONS

ASSEMBLY TIPS:

1. Remove hardware from box and sort by size.
2. Please check to see that all hardware and parts are present prior to start of assembly.
3. Please follow attached instructions in the same sequence as numbered to assure fast & easy assembly.



WARNING!

1. Don't attempt to repair or modify parts that are broken or defective. Please contact the store immediately.
2. This product is for home use only and not intended for commercial establishments.

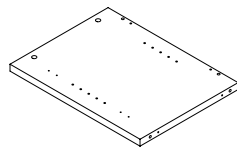


ASSEMBLY TIME

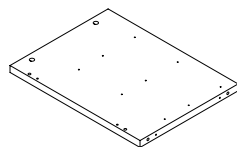
60 MINUTES

PARTS IDENTIFICATION

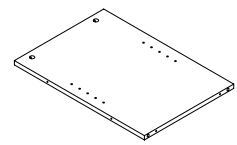
A LEFT SIDE PANEL 1 PC



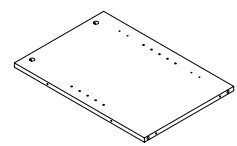
B RIGHT SIDE PANEL 1 PC



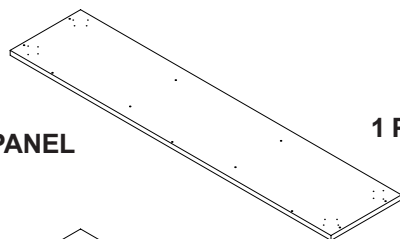
C LEFT DIVIDER PANEL 1 PC



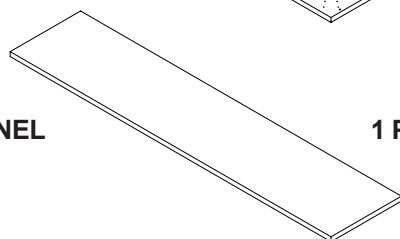
D RIGHT DIVIDER PANEL 1 PC



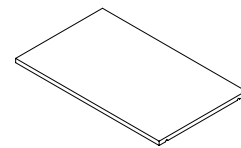
E BOTTOM PANEL 1 PC



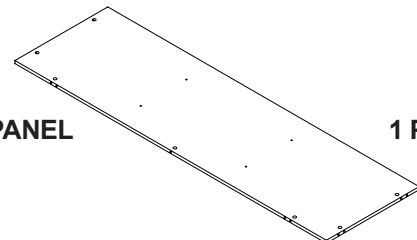
F TOP PANEL 1 PC



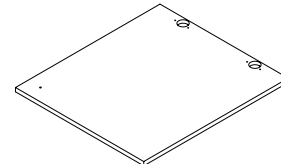
G ADJUSTABLE PANEL 2 PCS



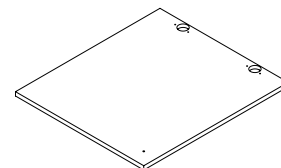
H BACK PANEL 1 PC



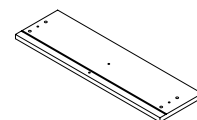
I LEFT DOOR 1 PC



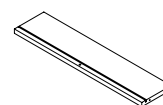
J RIGHT DOOR 1 PC



K DRAWER FRONT PANEL 3 PCS




L DRAWER BACK PANEL 3 PCS



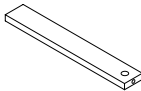
NOTE:

Phillips head screw driver is required in the assembly process; however, manufacturer does not provide this item.

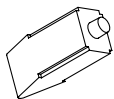

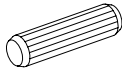
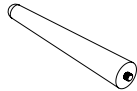
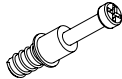
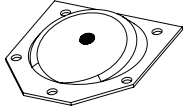

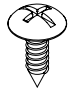

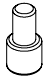

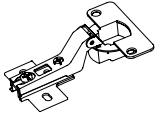
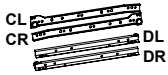


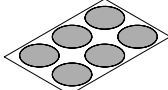
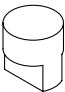
M DRAWER LEFT SIDE PANEL  3 PCS

O DRAWER BOTTOM PANEL  3 PCS

N DRAWER RIGHT SIDE PANEL  3 PCS

P DRAWER BOTTOM SUPPORT  3 PCS

HARDWARE IDENTIFICATION

Z							
NO	DESCRIPTION	FIGURE	Q'TY	NO	DESCRIPTION	FIGURE	Q'TY
1	GLUE 40g		1 PC	10	HANDLE BOLT Ø4x25mm BLK		5 PCS
2	WOODEN DOWEL Ø8x30mm		36 PCS	11	LEG		4 PCS
3	CAM BOLT Ø7x35.5mm SR		24 PCS	12	SPACER SR		4 PCS
4	CAM LOCK Ø15x12mm SR		24 PCS	13	SCREW Ø4x15mm SR		16 PCS
5	SCREW Ø4.5x42mm SR		15 PCS	14	PIN FOR ADJUSTABLE SHELF Ø4.9x8mm SR		8 PCS
6	SCREW Ø4.3x35mm SR		15 PCS	15	HINGE Ø35mm SR		4 PCS
7	RAIL L = 350mm BLK		3 SET	16	HINGE SCREW Ø4x15mm SR		16 PCS
8	SCREW Ø3x12mm BLK		36 PCS	17	STICKER Ø20mm		4 PCS
9	HANDLE		5 PCS				

Z7,Z11,Z15 not included in blister packaging.

NOTE:

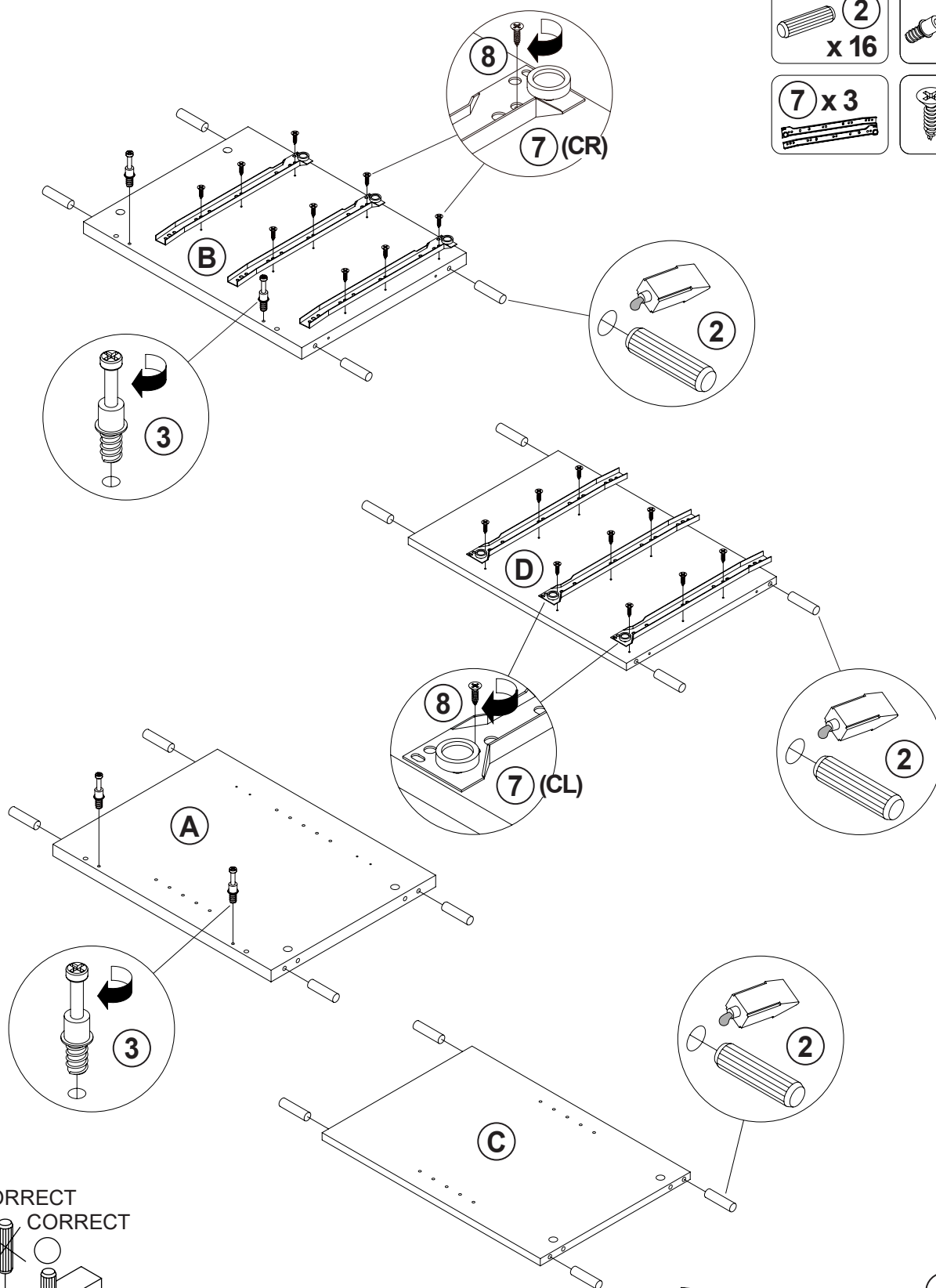
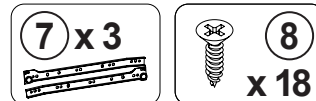
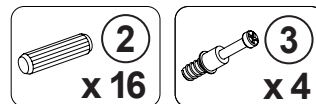
Phillips head screw driver is required in the assembly process; however, manufacturer does not provide this item.

ITEM: 950352

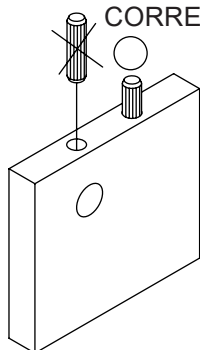
COASTER[®]

FINE FURNITURE

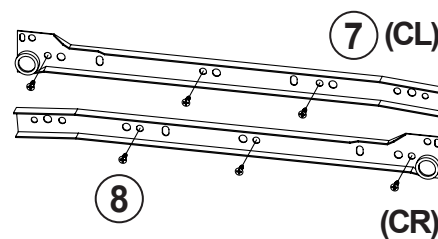
STEP 1



INCORRECT
CORRECT



Apply glue on all wooden dowels to ensure integrity of the structure.

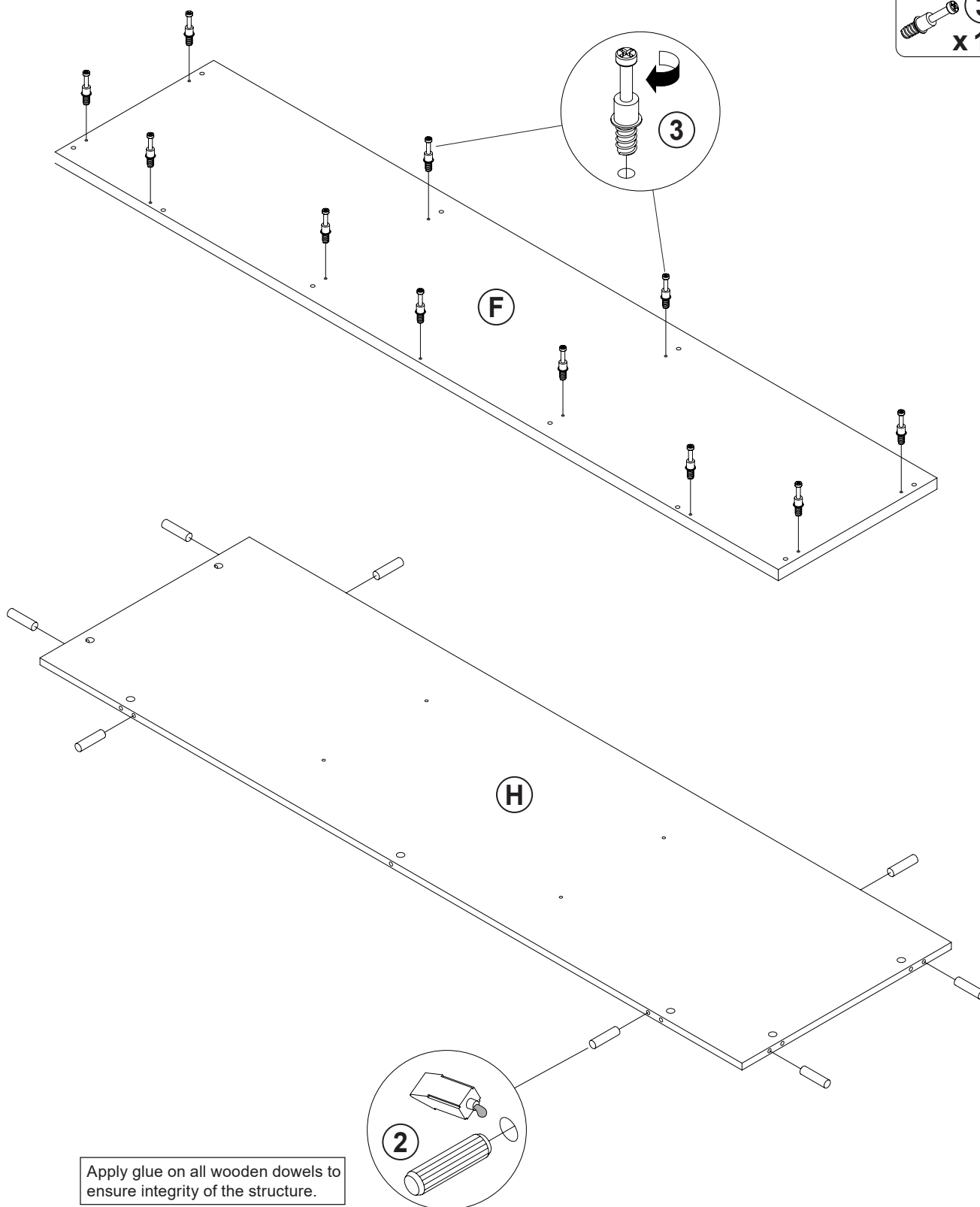
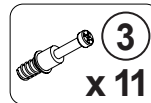
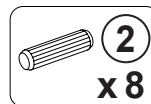


ITEM: 950352

COASTER[®]

FINE FURNITURE

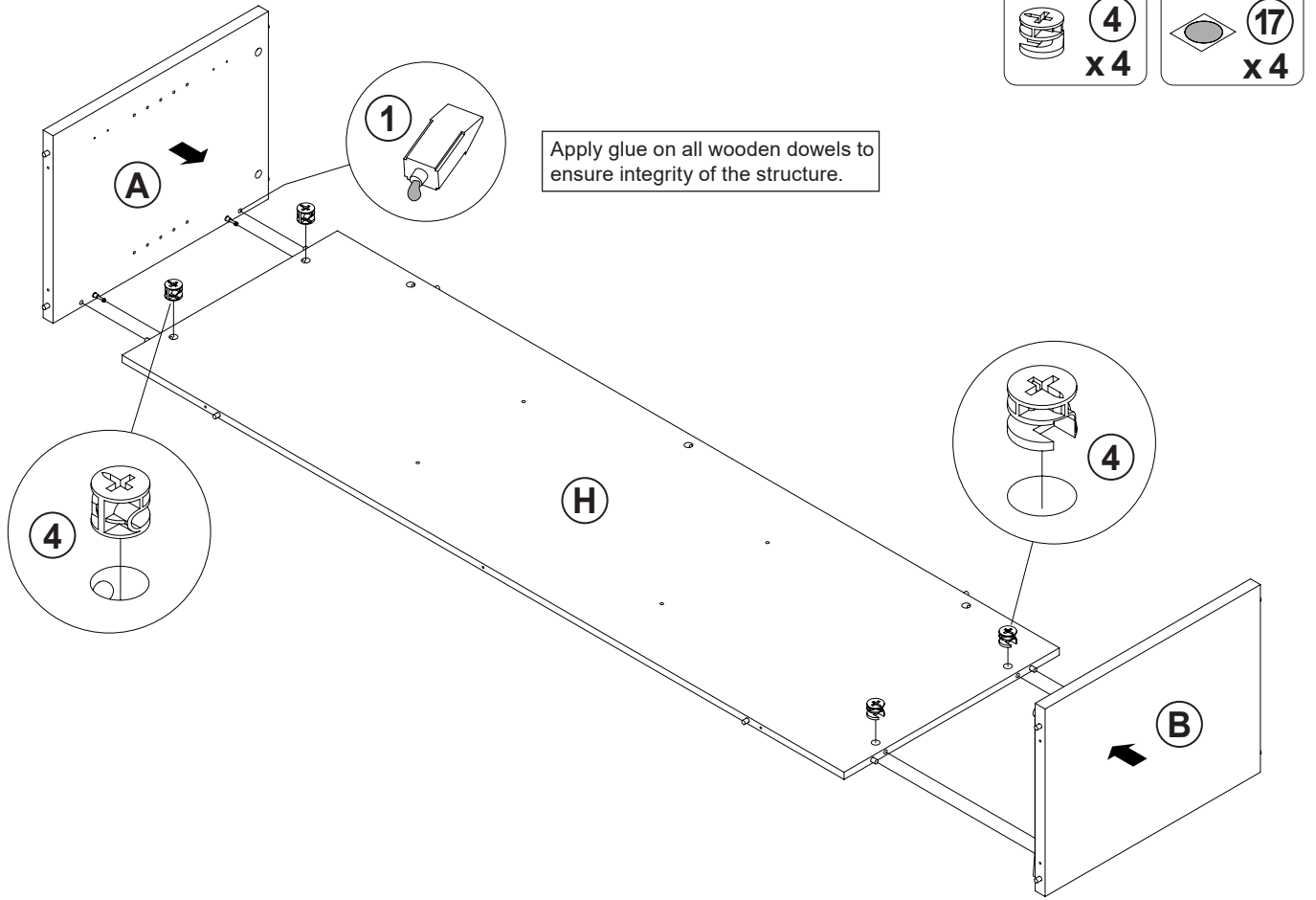
STEP 2



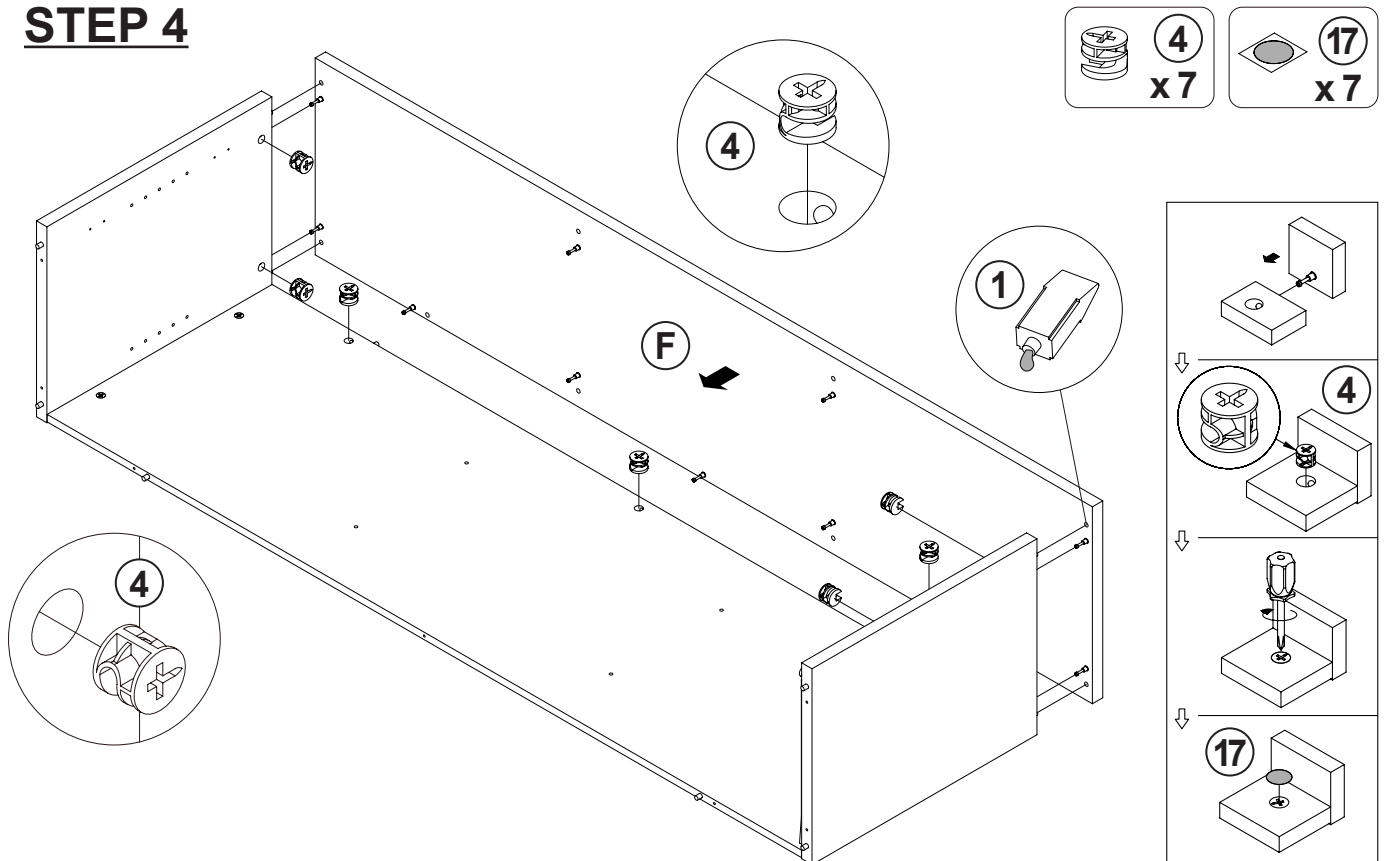
ITEM: 950352

COASTER
FINE FURNITURE

STEP 3



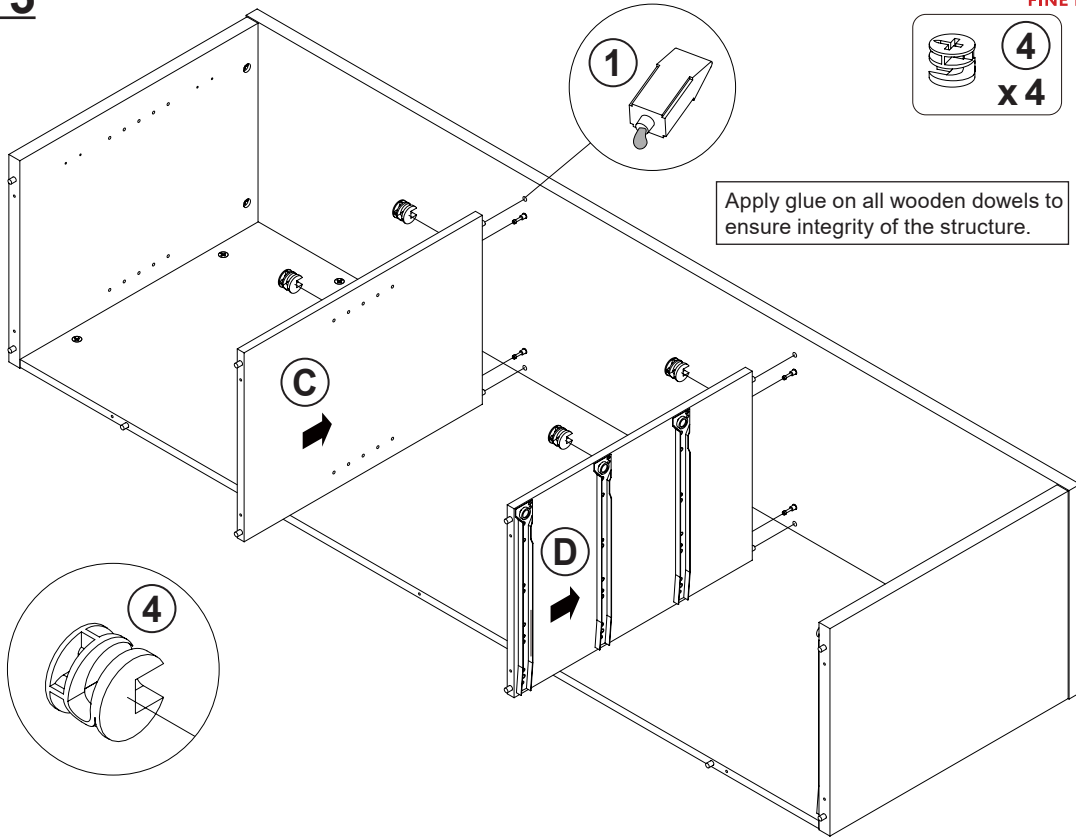
STEP 4



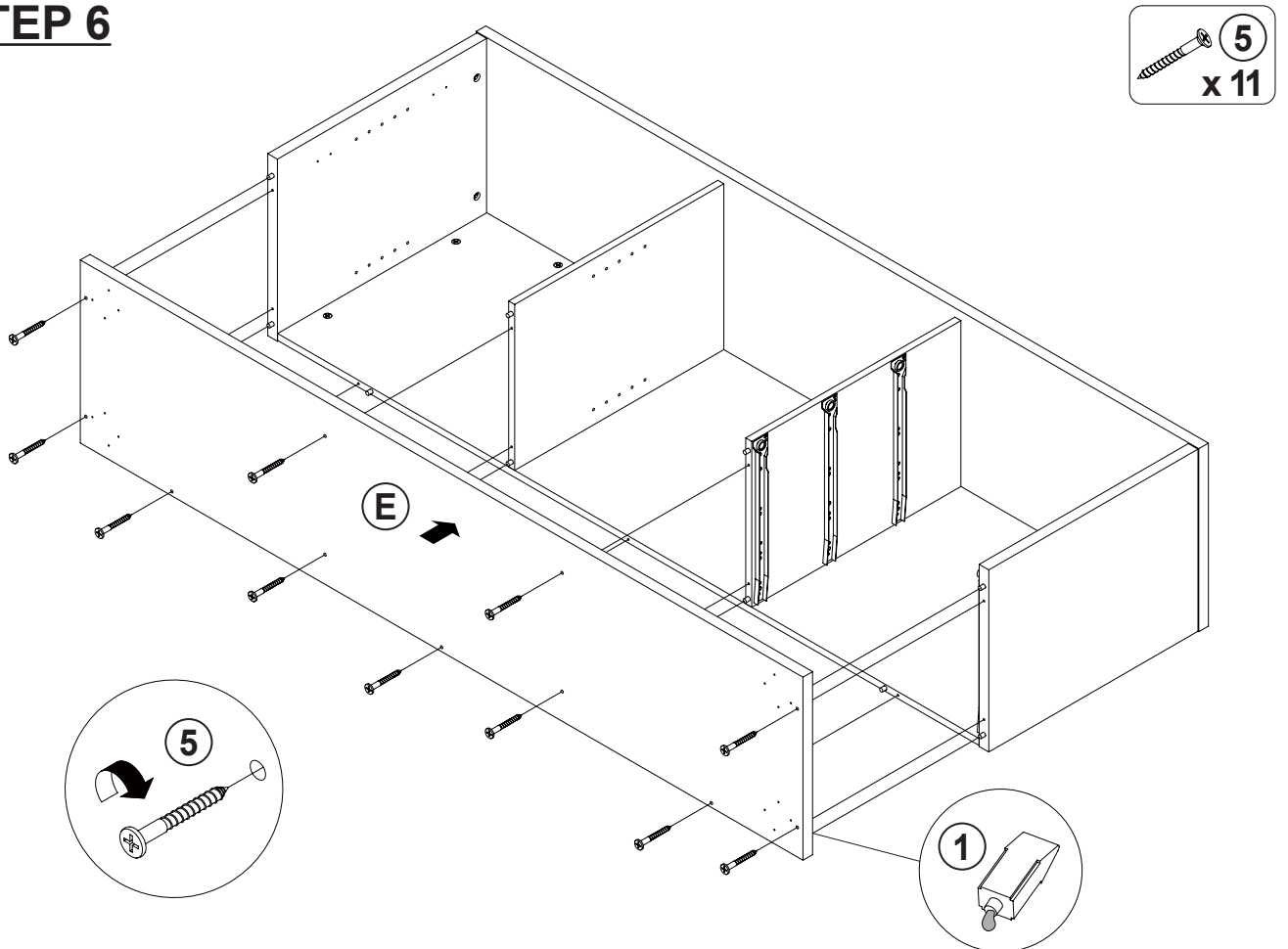
ITEM: 950352

COASTER
FINE FURNITURE

STEP 5



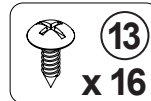
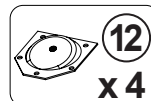
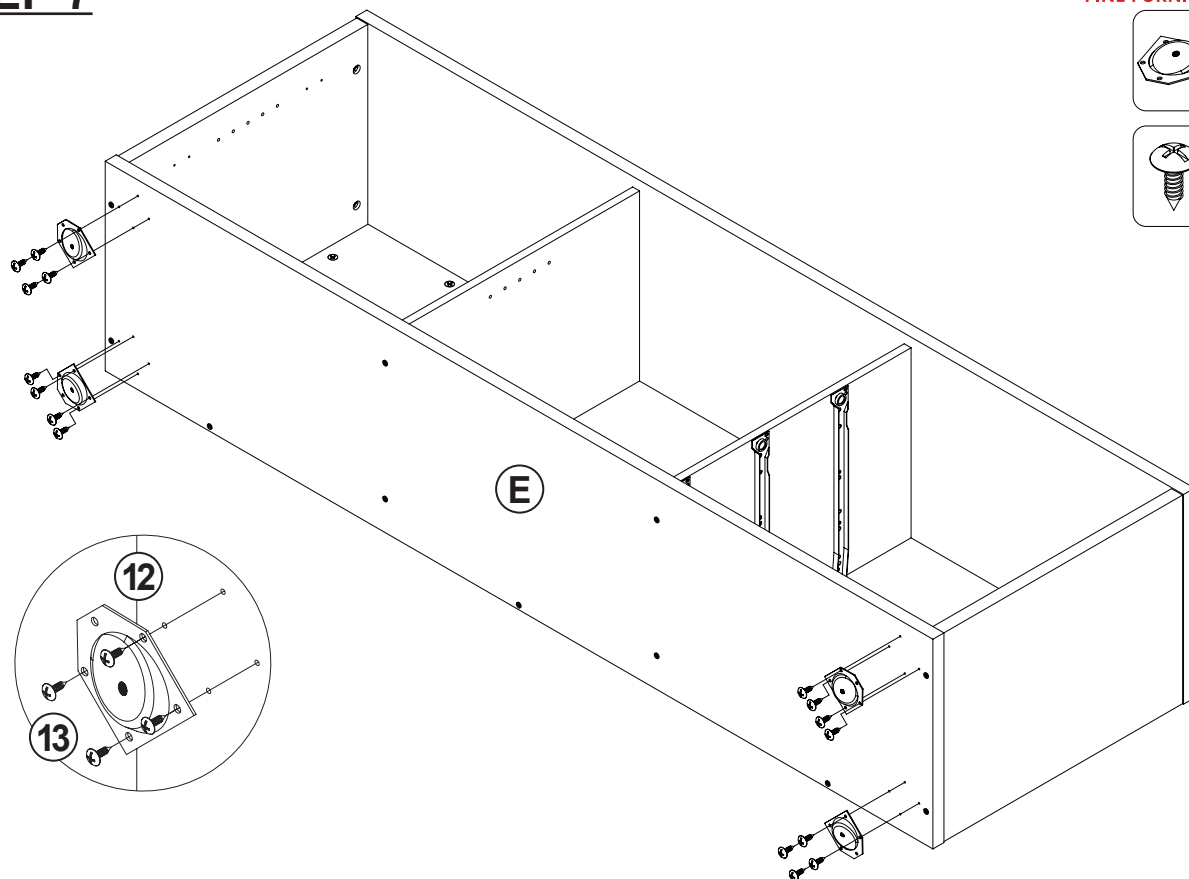
STEP 6



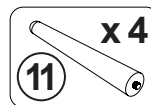
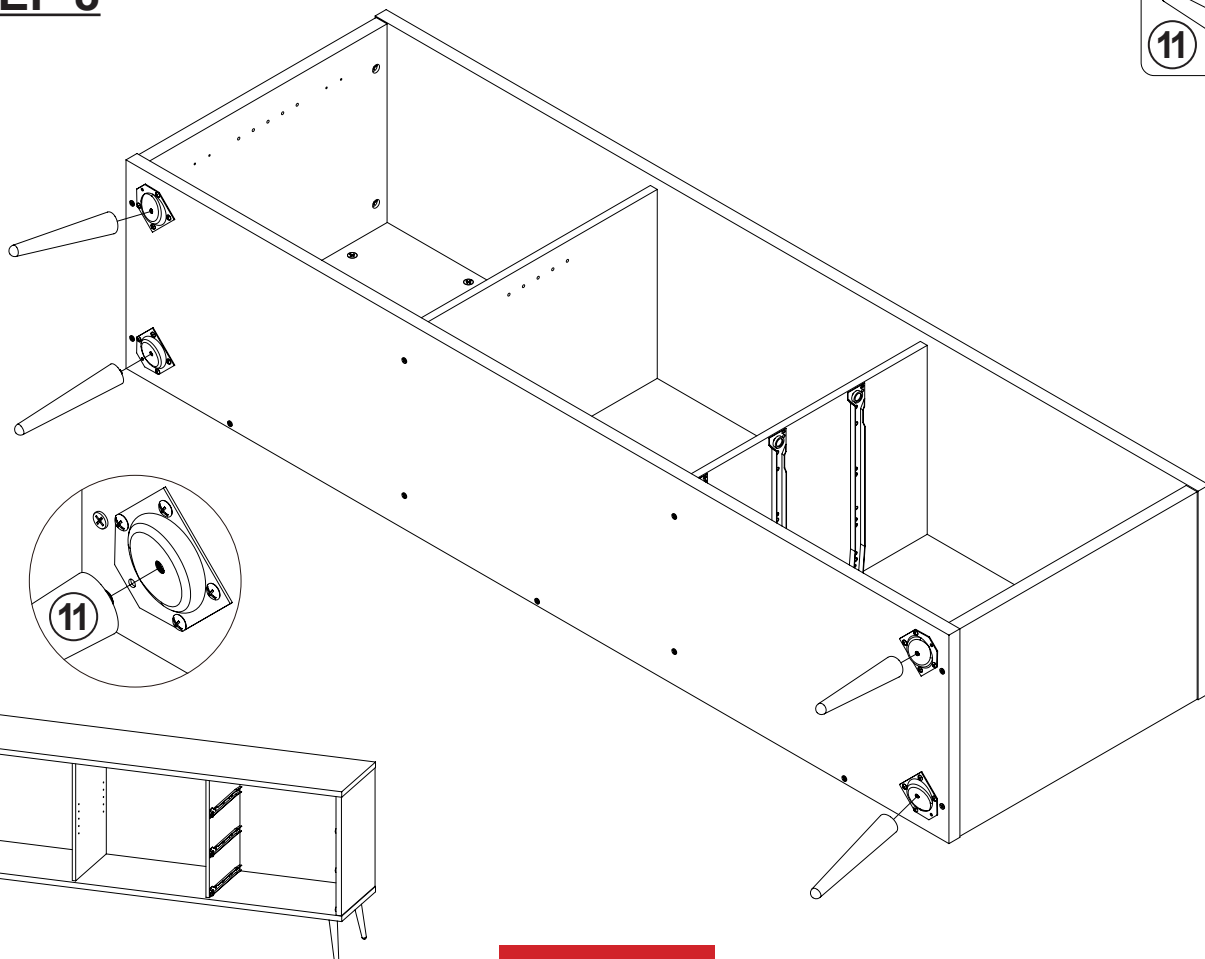
ITEM: 950352

COASTER
FINE FURNITURE

STEP 7



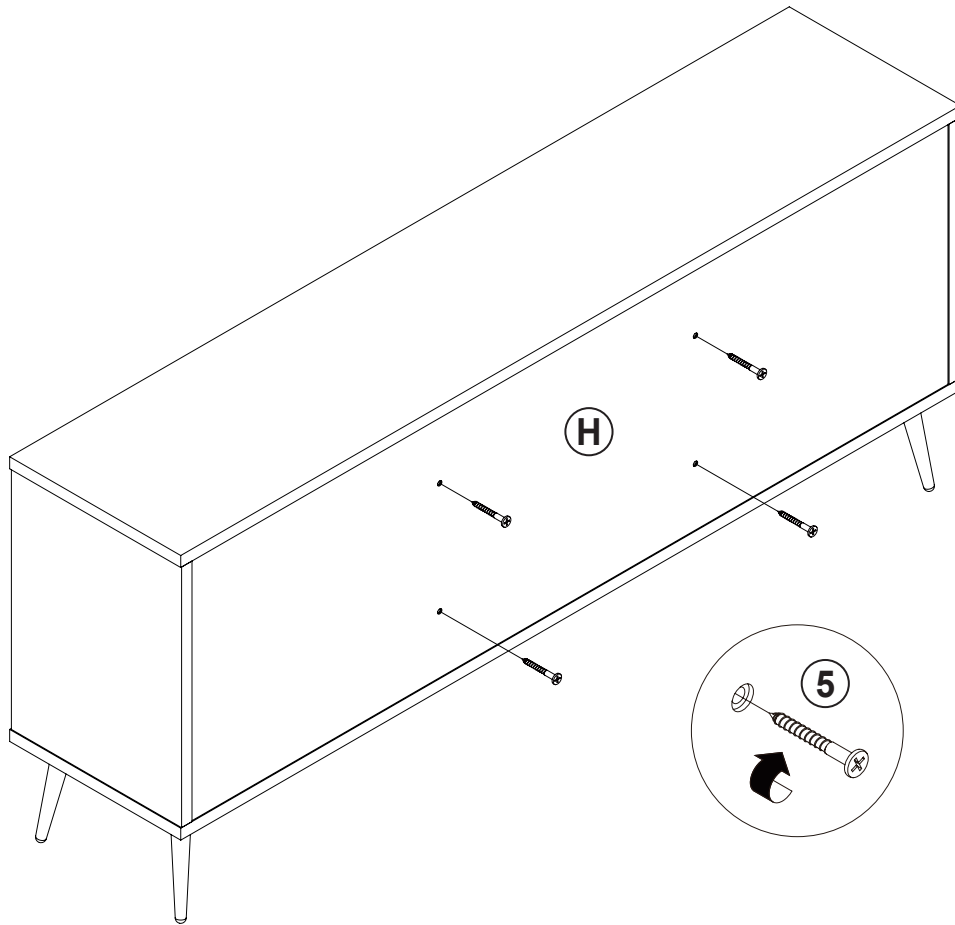
STEP 8



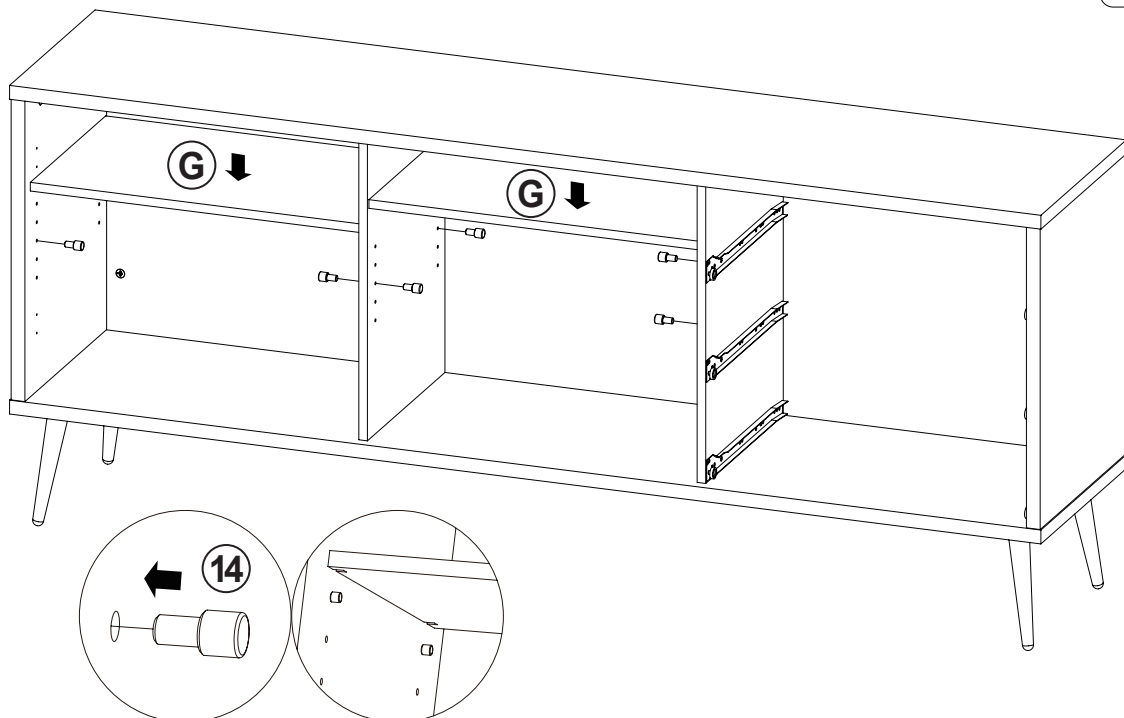
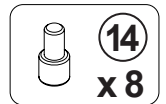
ITEM: **950352**

COASTER
FINE FURNITURE

STEP 9



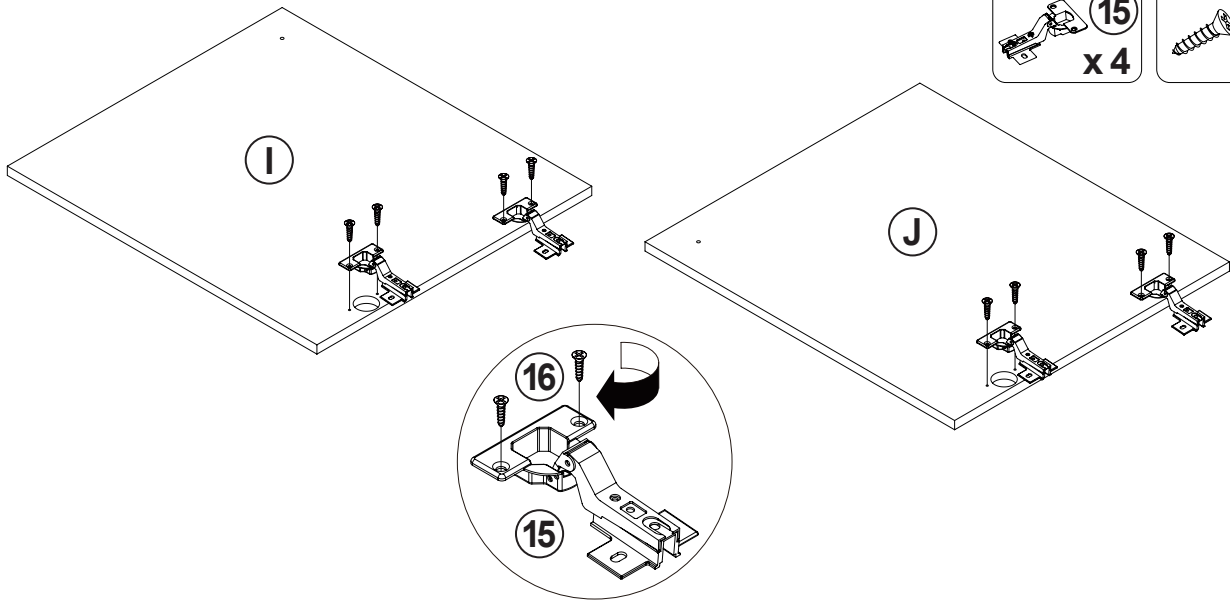
STEP 10



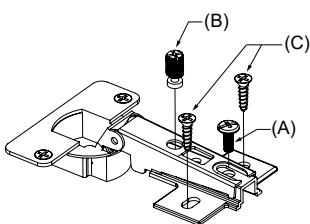
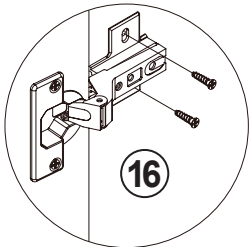
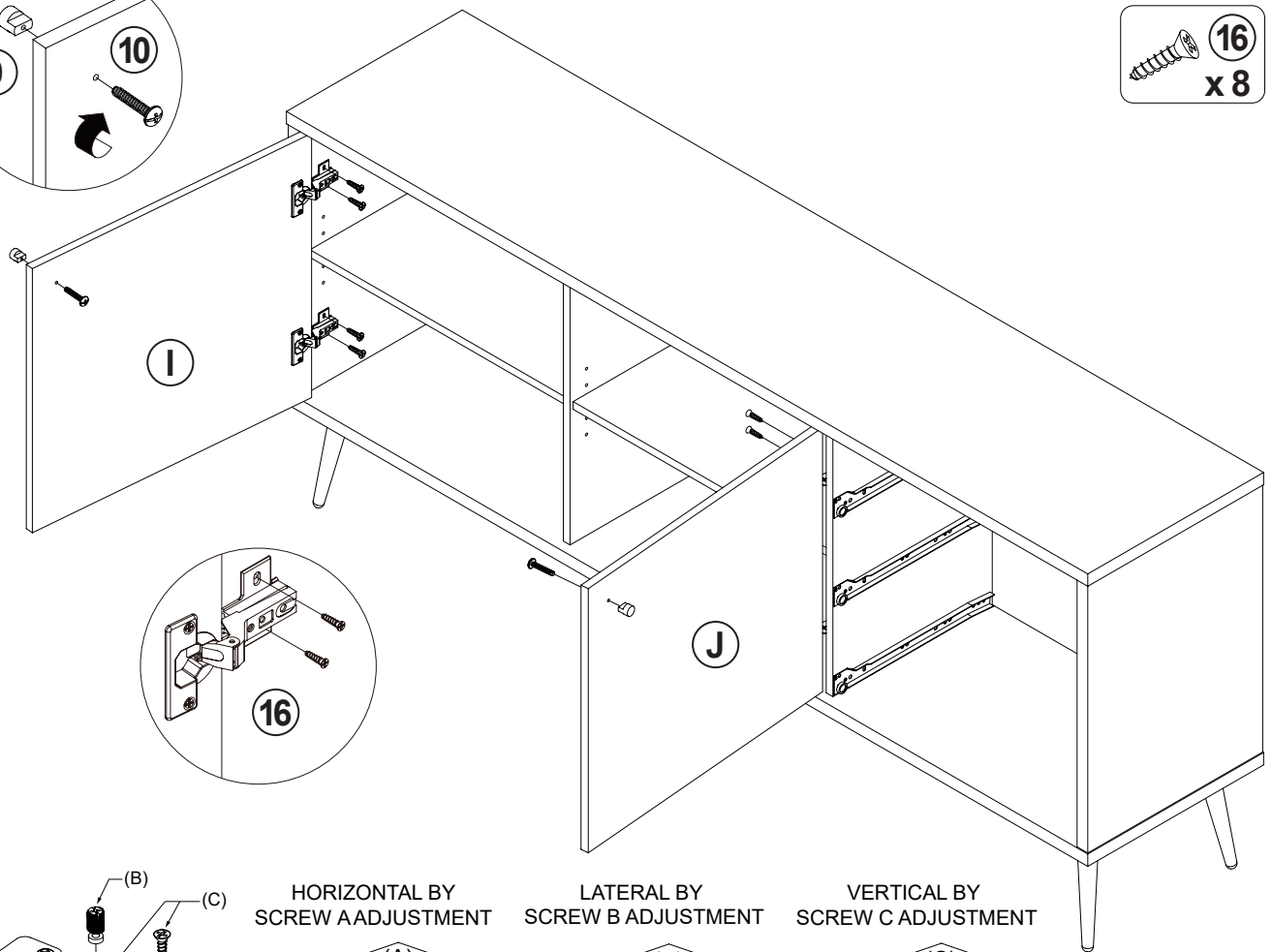
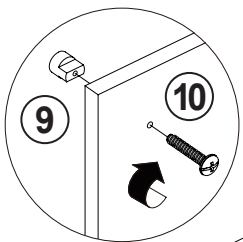
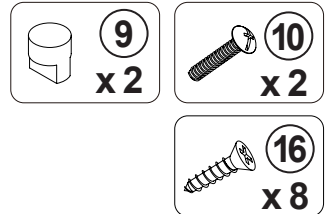
ITEM: 950352

COASTER
FINE FURNITURE

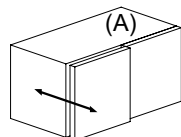
STEP 11



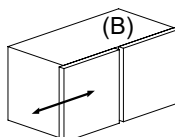
STEP 12



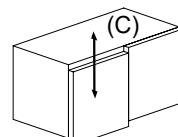
HORIZONTAL BY
SCREW A ADJUSTMENT



LATERAL BY
SCREW B ADJUSTMENT

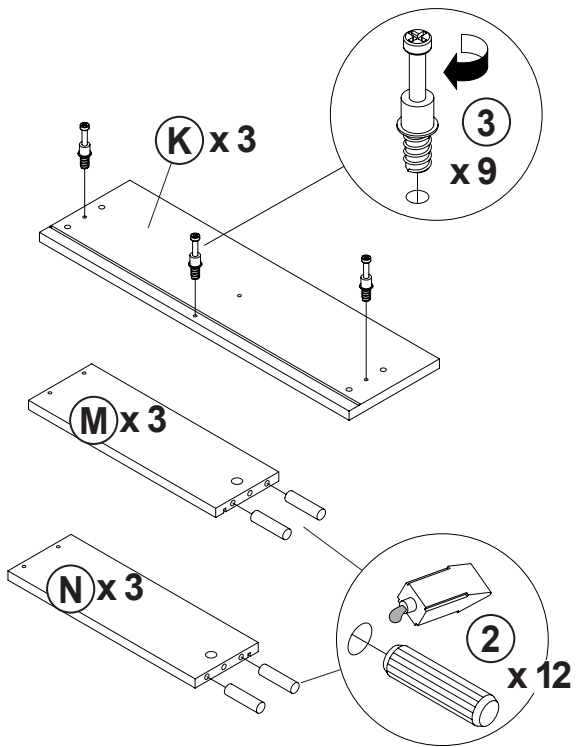


VERTICAL BY
SCREW C ADJUSTMENT

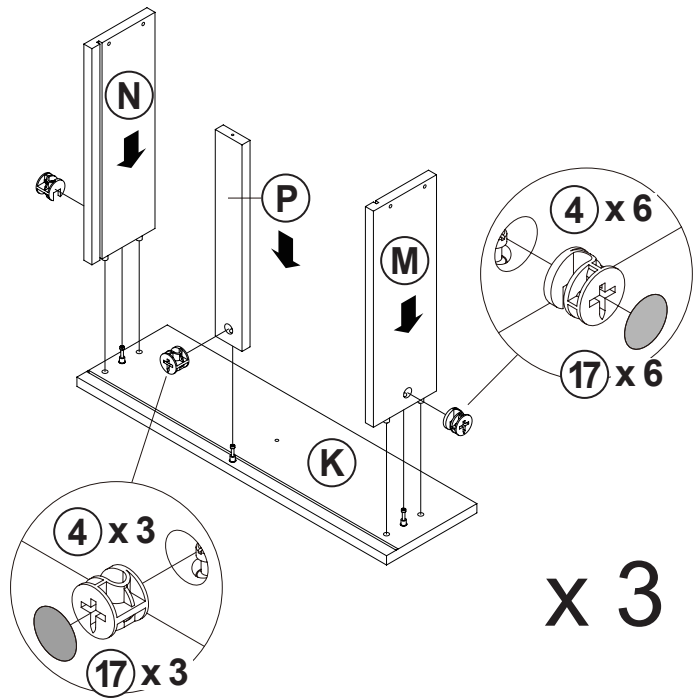


ITEM: 950352

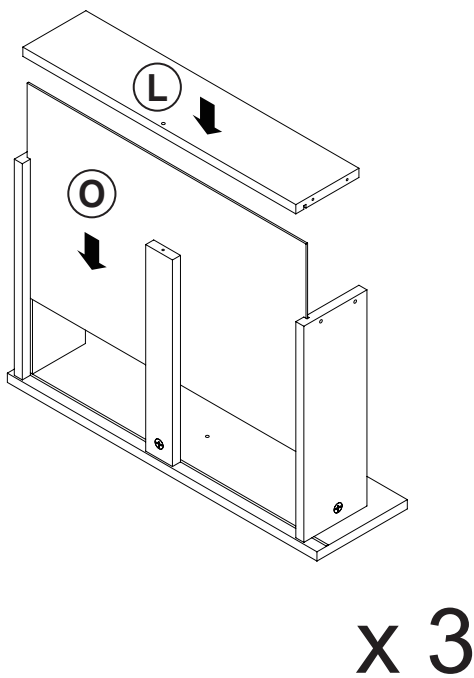
STEP 13



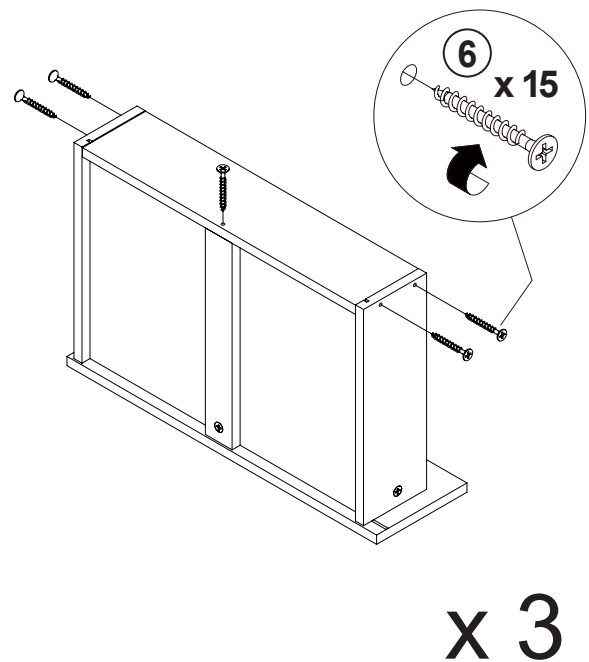
STEP 14



STEP 15

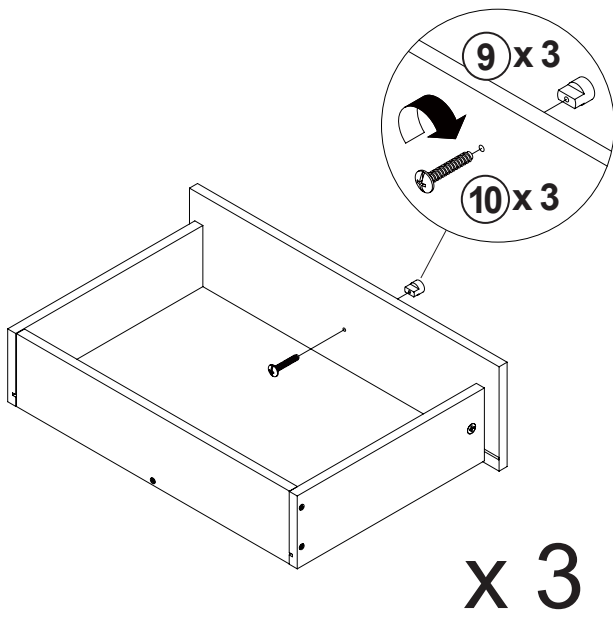


STEP 16

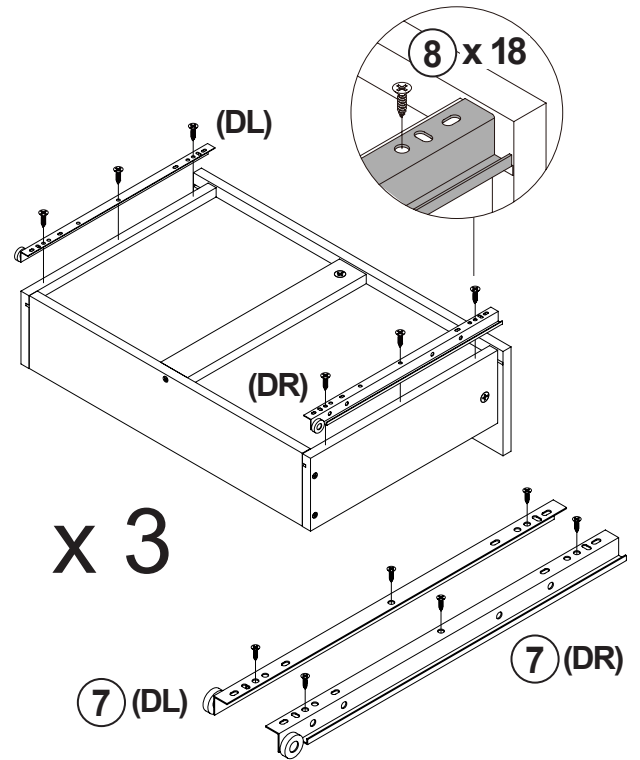


ITEM: 950352

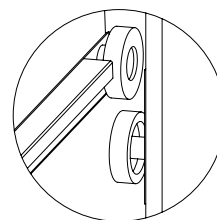
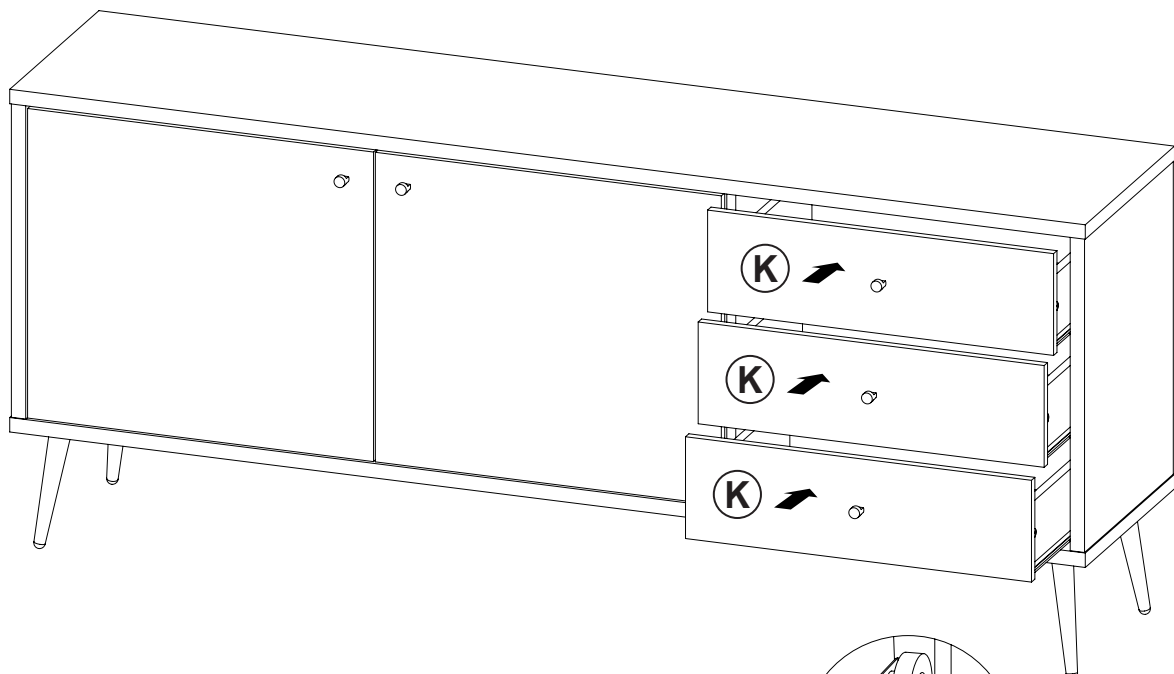
STEP 17



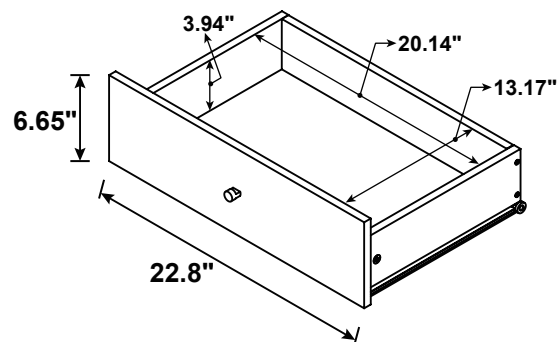
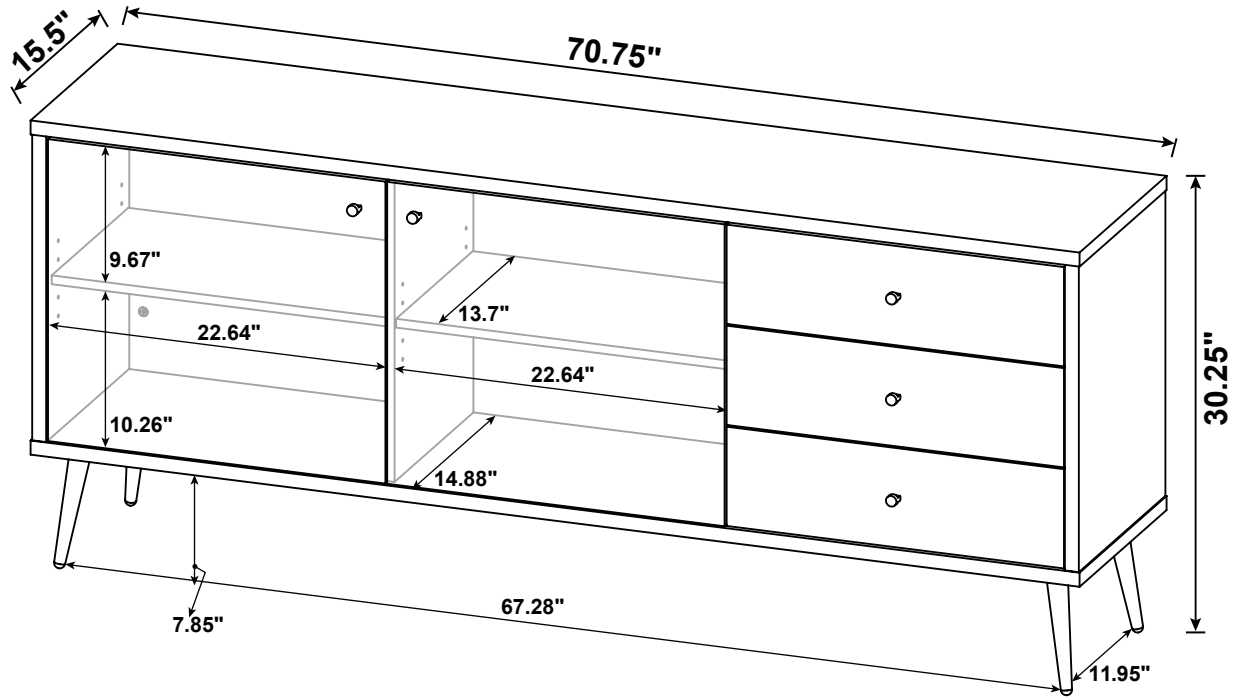
STEP 18



STEP 19



ITEM:950352



Note : Dimension tolerance $\pm 5\%$

ANTI-TIPPING INSTALLMENT INSTRUCTIONS FURNITURE TIPPING RESTRAINT

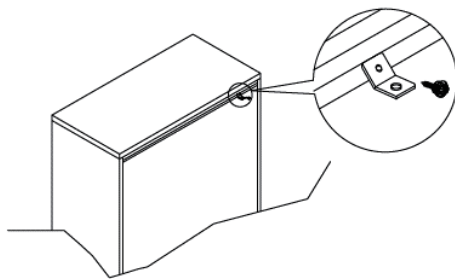
WARNING

Injury may result from tipping furniture.
This restraint may protect against tipping furniture.
Do not allow children to climb on furniture.
This restraint is not a substitute for proper adult supervision.
Failure to detach this restraint before moving the furniture may result in injury and damage.

This restraint must be screwed to a wood stud on the wall, using the long screw provided.

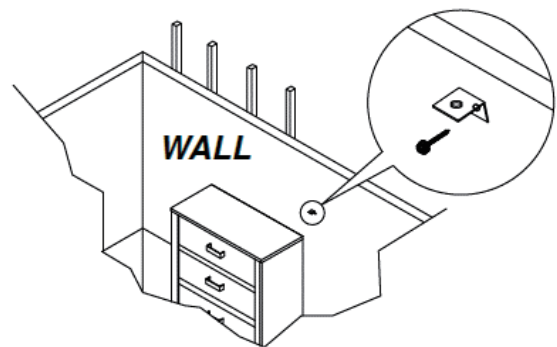
STEP 1

Secure the bracket to the back top of the unit, using the short screw provided, as shown in the drawing.



STEP 2

Locate the wood stud on the wall, and secure the other bracket, 2 inches below the back of the unit.



STEP 3

Place the furniture into position so both mounting brackets are vertically in line. Lace the end of the restraint strap through the larger hole in each mounting bracket. Bring both ends together and slide the flat end through the locking end, and drag it through, until the slack is removed. Ensure that the strap is securely laced and locked.

