

**ASSEMBLY INSTRUCTIONS**  
**COASTER FINE FURNITURE**



*Fine Furniture for every stage of life*

**122060**

**Swivel Bar Stool**

REVISION 1: 10/07/2020  
REVISION 1: 28/10/2020  
REVISION 2 :11/0 8/2022  
REVISION 3 : 09/13/2024

ITEM: 122060

# ASSEMBLY INSTRUCTIONS



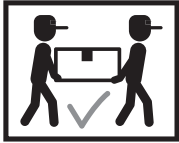
## ASSEMBLY TIPS:

1. Remove hardware from box and sort by size.
2. Please check to see that all hardware and parts are present prior to start of assembly.
3. Please follow attached instructions in the same sequence as numbered to assure fast & easy assembly.



### WARNING!

1. Don't attempt to repair or modify parts that are broken or defective. Please contact the store immediately.
2. This product is for home use only and not intended for commercial establishments.



ASSEMBLY TIME

15 MINUTES

## PARTS IDENTIFICATION

A LEGS  4PCS

B CIRCLE  1PC

C FRAME 1  1PC

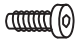




D FRAME 2  1PC

E PLATE  1PC

F BACK  1PC

G CUSHION  1PC

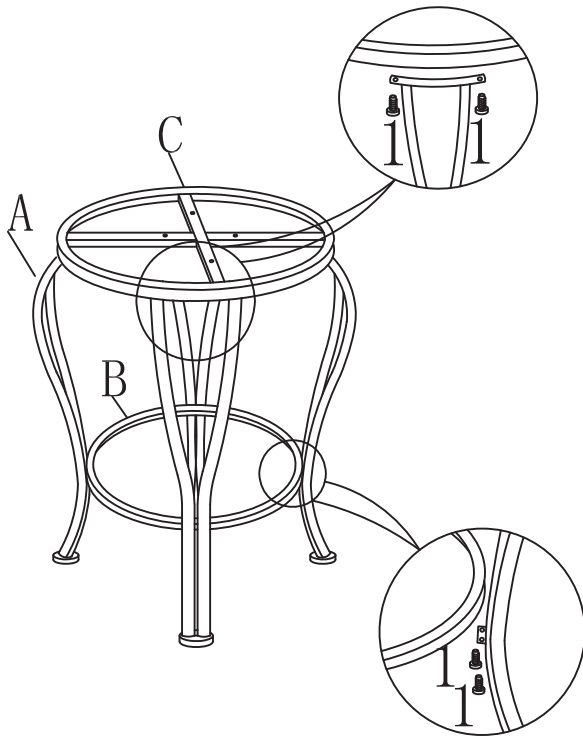
## Z HARDWARE IDENTIFICATION

	DESCRIPTION	FIGURE	Q'TY
1	1/4"x12mm ALLEN BOLT-SMALL		24PCS
2	1/4"x15mm ALLEN BOLT-MEDIUM		3PCS
3	1/4"x30mm ALLEN BOLT-LARGE		2PCS
4	5x35mm SCREW		4PCS
5	4mm ALLEN WRENCH		1PC

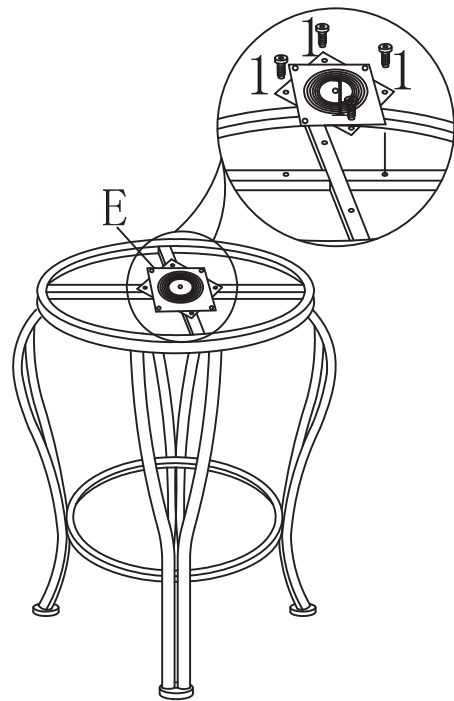
ITEM: 122060

**ASSEMBLY INSTRUCTIONS**

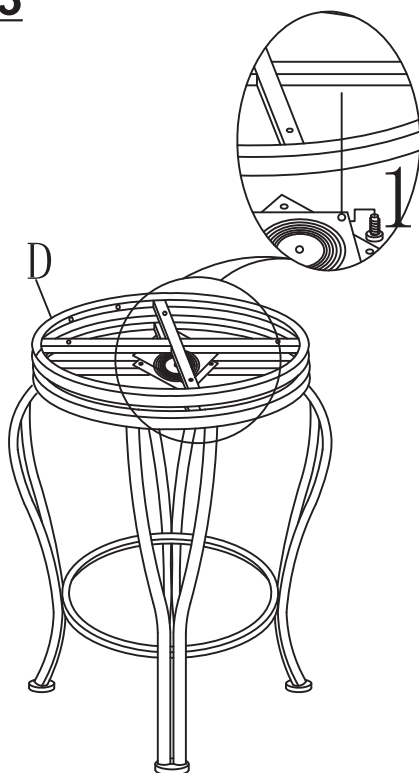
**STEP 1**



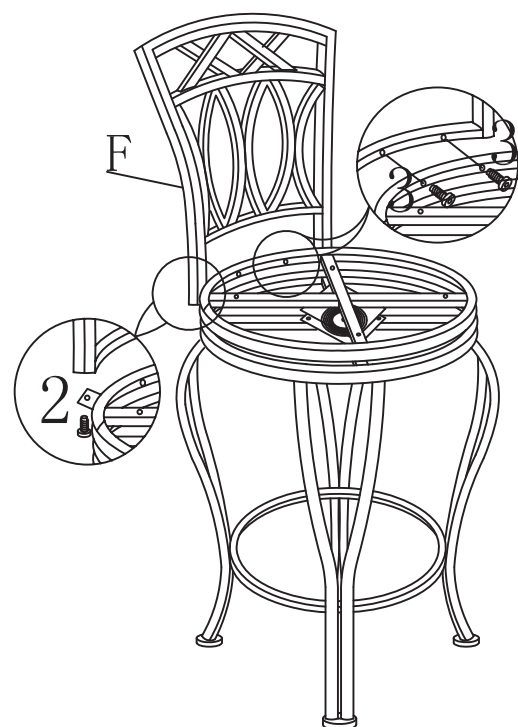
**STEP 2**



**STEP 3**



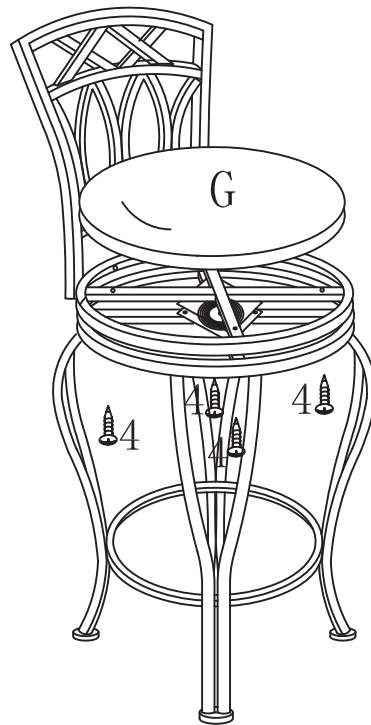
**STEP 4**



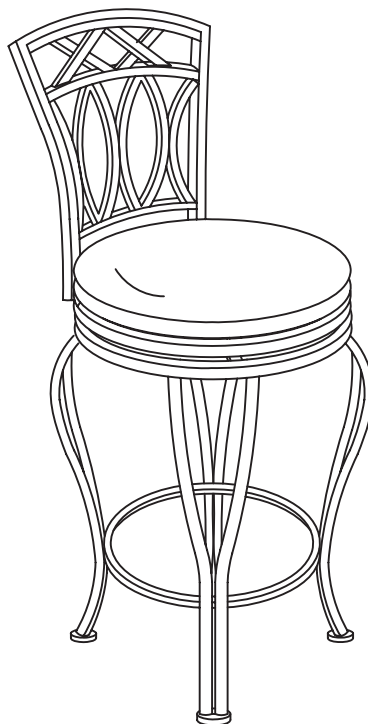
ITEM: 122060

**ASSEMBLY INSTRUCTIONS**

**STEP 5**



**STEP 6**



ITEM: 122060

**COASTER**  
FINE FURNITURE

