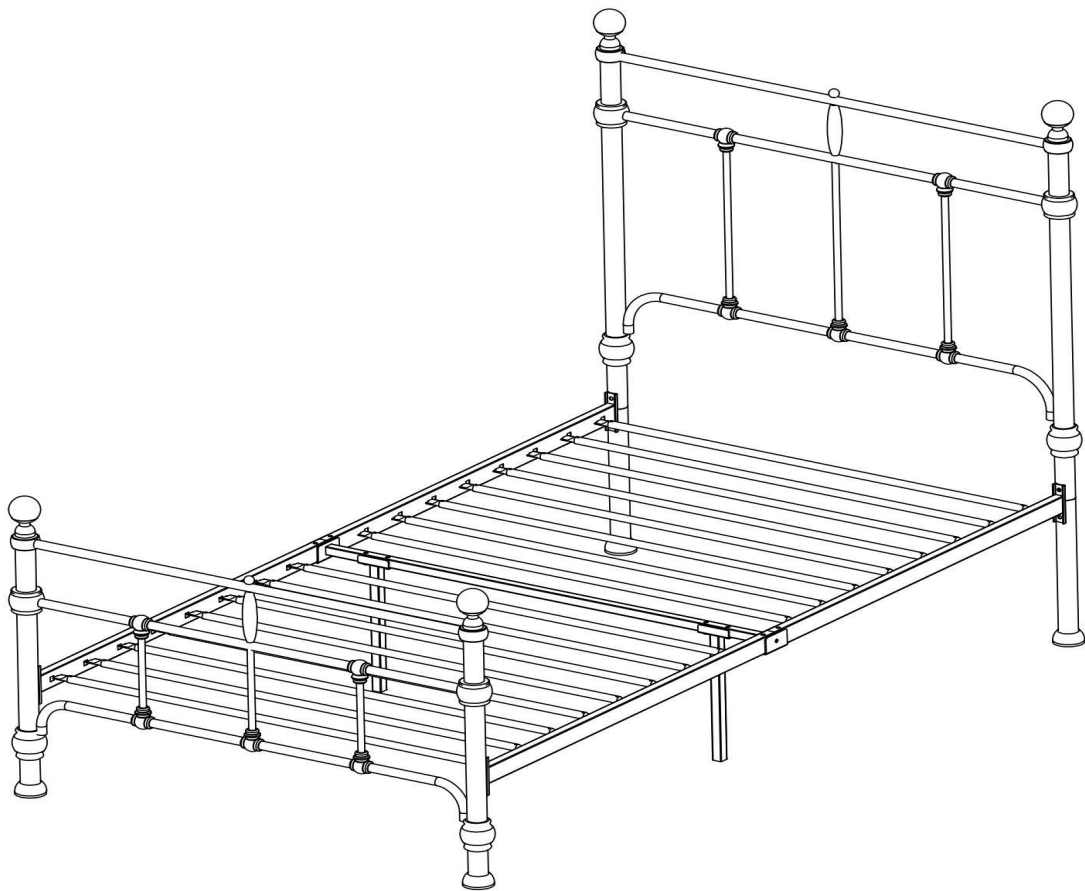


ASSEMBLY INSTRUCTIONS COASTER FINE FURNITURE



Fine Furniture for every stage of life

316001T
TWIN BED

ITEM: 316001T



ASSEMBLY INSTRUCTIONS

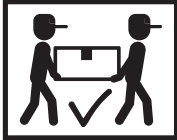
ASSEMBLY TIPS:

1. Remove hardware from box and sort by size.
2. Please check to see that all hardware and parts are present prior to start of assembly.
3. Please follow attached instructions in the same sequence as numbered to assure fast & easy assembly.



WARNING!

1. Don't attempt to repair or modify parts that are broken or defective. Please contact the store immediately.
2. This product is for home use only and not intended for commercial establishments.



ASSEMBLY TIME

30 MINUTES

PARTS IDENTIFICATION

A HEADBOARD		1PCS	G SLAT		16PCS
B FOOTBOARD		1PCS	H LARGE FINIAL		4PCS
C RAIL		4PCS	I SMALL FINIAL		2PCS
D CENTER SUPPORT BAR		1PCS			
E SUPPORT LEG		2PCS			
F HEADBOARD LEG		2PCS			

Z- HARDWARE IDENTIFICATION

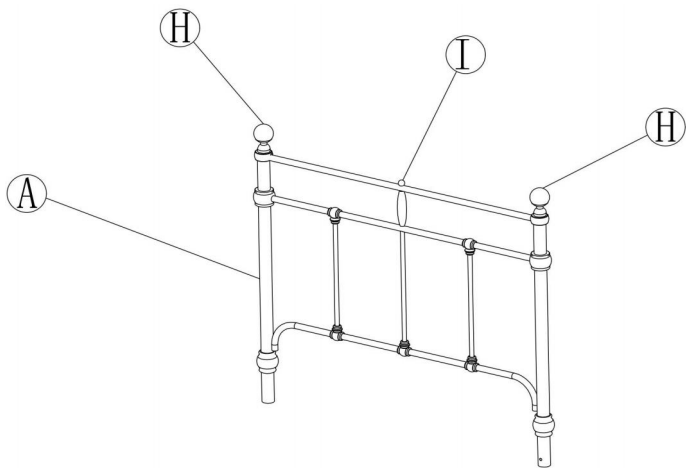
1 BOLT(M8x20MM)		8PCS	6 CURVED GASKET		2PCS
2 BOLT(M6x25MM)		4PCS	7 SLAT CONNECTOR		32PCS
3 BOLT(M6x45MM)		4PCS	8 BOLT(M6x30MM)		2PCS
4 BOLT(M8x20MM)		2PCS			
5 ALLEN WRENCH		1PCS			

ITEM: 316001T

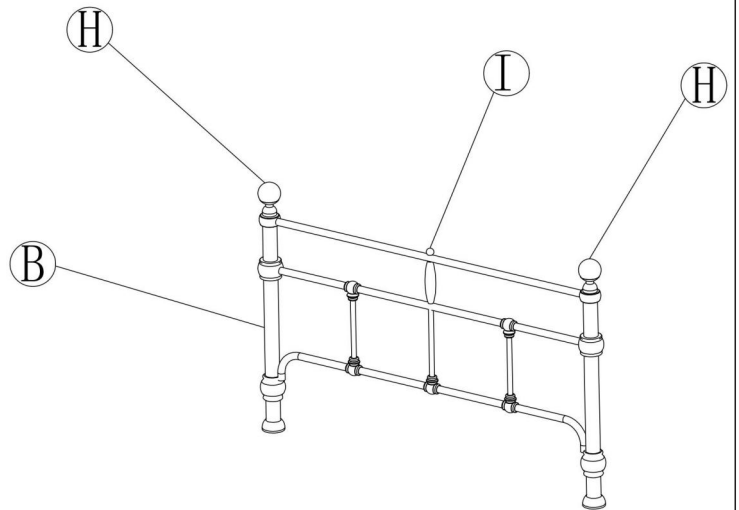
ASSEMBLY INSTRUCTIONS



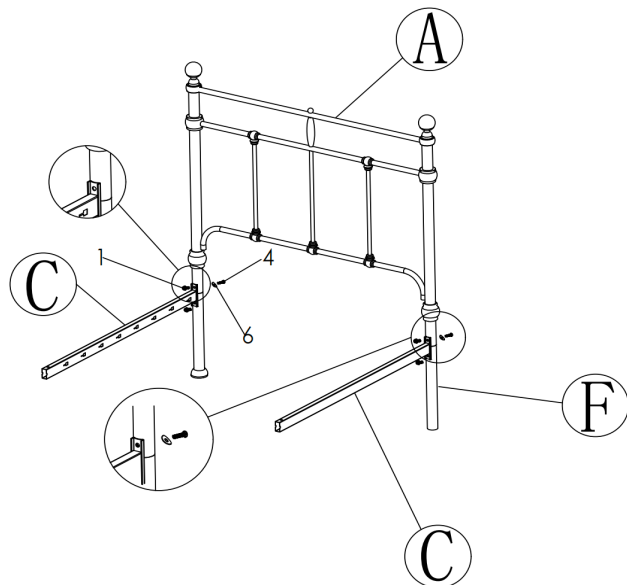
STEP 1



STEP 2

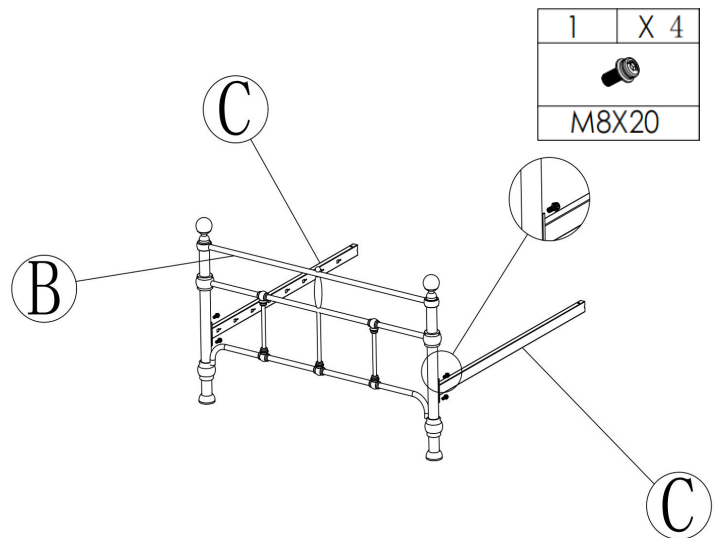


STEP 3



1	X 4	4	X 2	6	X 2
M8X20		M8X20		φ22Xφ8.5	

STEP 4



1	X 4
M8X20	

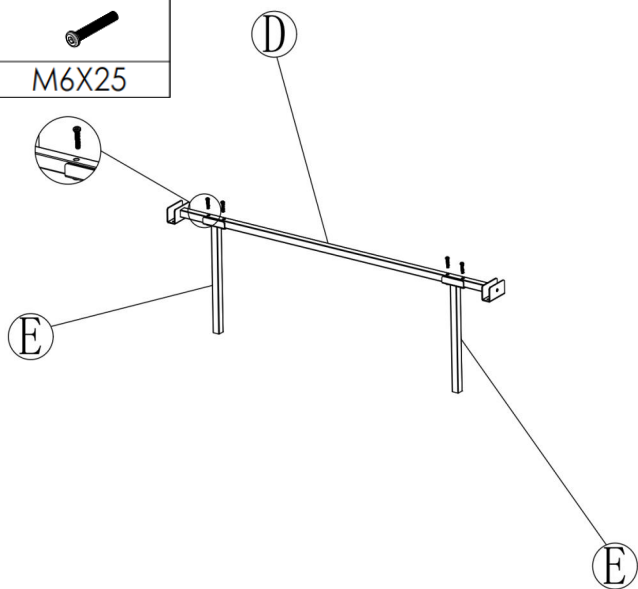
ITEM: 316001T

ASSEMBLY INSTRUCTIONS



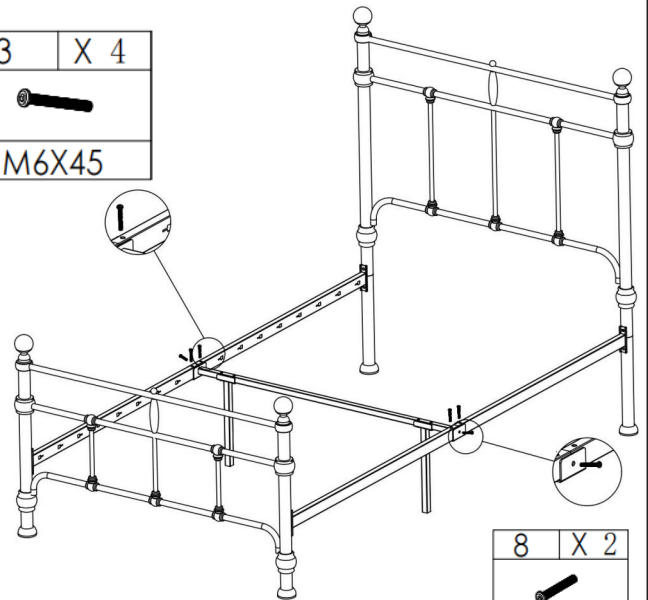
STEP 5

2	X 4
M6X25	



STEP 6

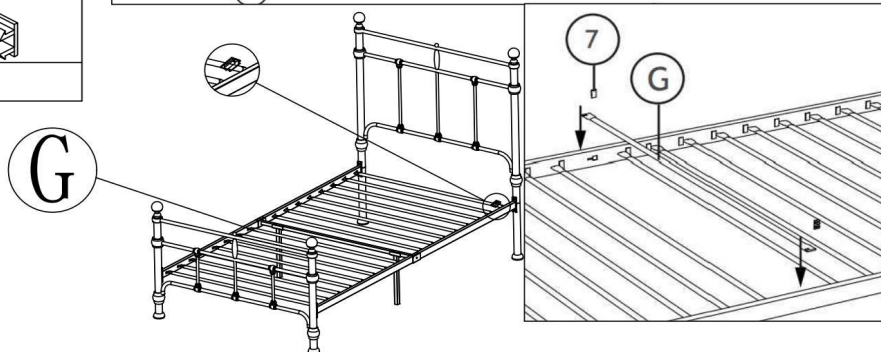
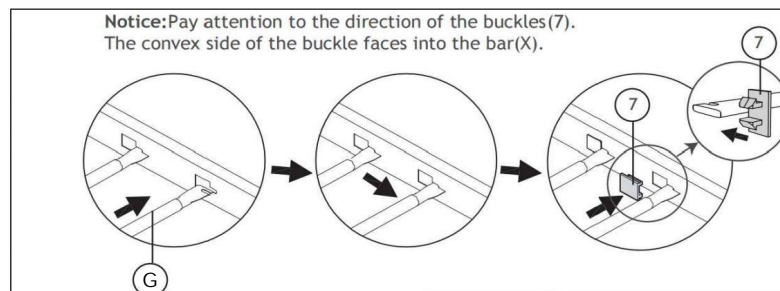
3	X 4
M6X45	



8	X 2
M6X30	

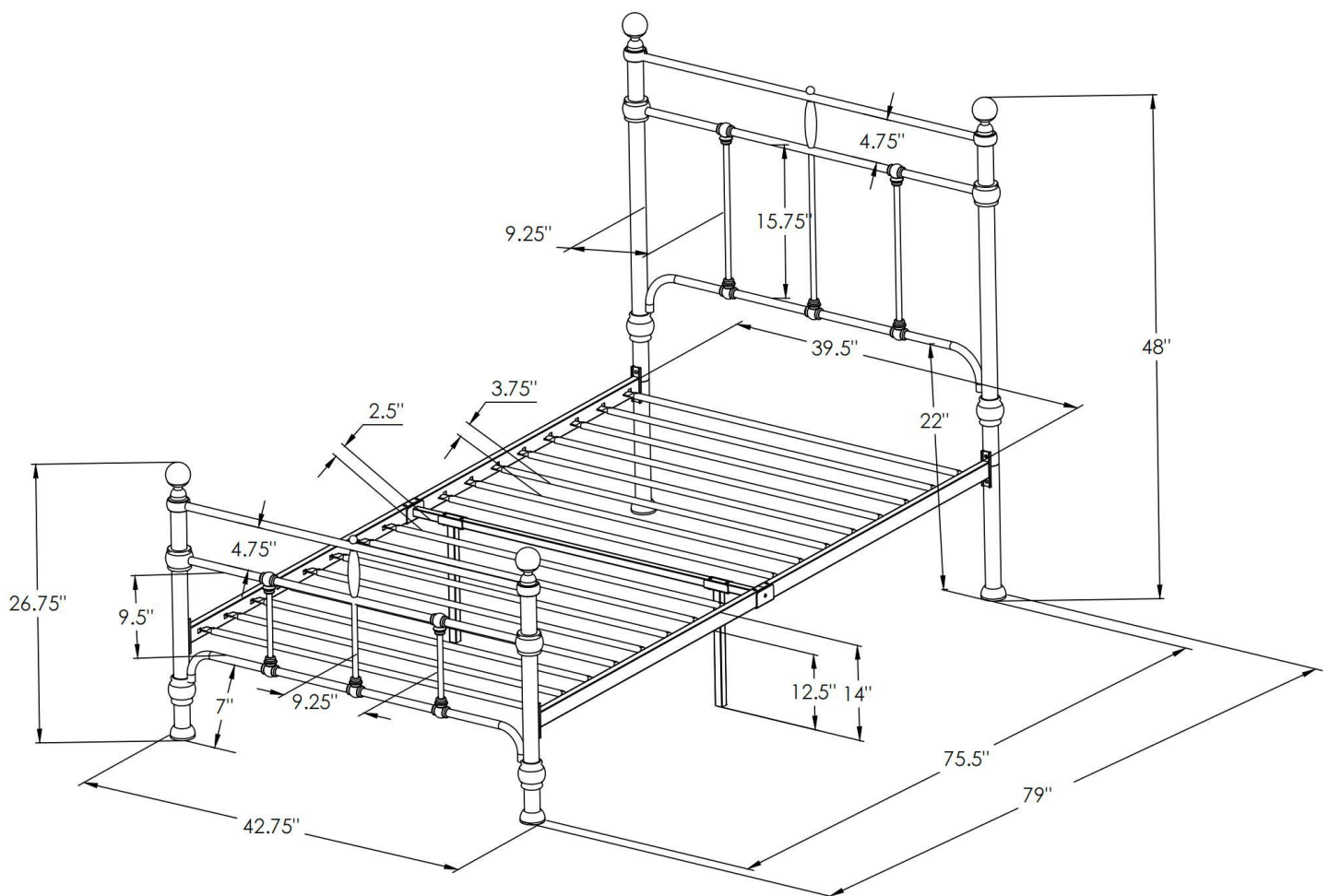
STEP 7

7	X 32



ITEM: 316001T

ASSEMBLY INSTRUCTIONS



Note : Dimension tolerance $\pm 5\%$

