

ASSEMBLY INSTRUCTIONS
COASTER FINE FURNITURE



Fine Furniture for every stage of life

360146
Sofa bed

ITEM: 360146



ASSEMBLY INSTRUCTIONS

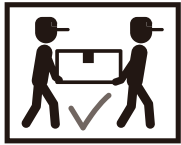
ASSEMBLY TIPS:

1. Remove hardware from box and sort by size.
2. Please check to see that all hardware and parts are present prior to start of assembly.
3. Please follow attached instructions in the same sequence as numbered to assure fast & easy assembly.



WARNING!

1. Don't attempt to repair or modify parts that are broken or defective. Please contact the store immediately.
2. This product is for home use only and not intended for commercial establishments.



ASSEMBLY TIME

30 MINUTES

PARTS IDENTIFICATION

A	SOFA		1PC	B	PILLOW		2PCS
C	ARM		2PCS	D	LEG		4PCS

HARDWARE IDENTIFICATION

1 BOLT (M8X2")



8PCS

2 ALLEN WRENCH (5#)



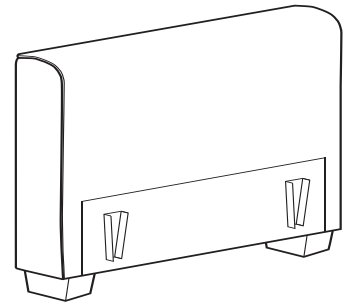
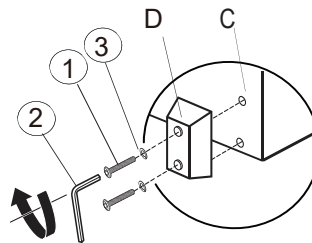
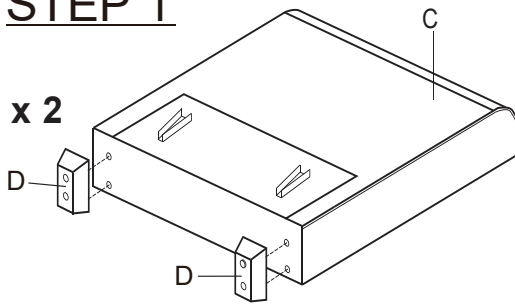
1PC

3 WASHER (M8)

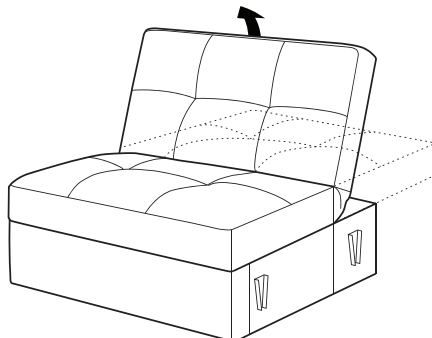


8PCS

STEP 1



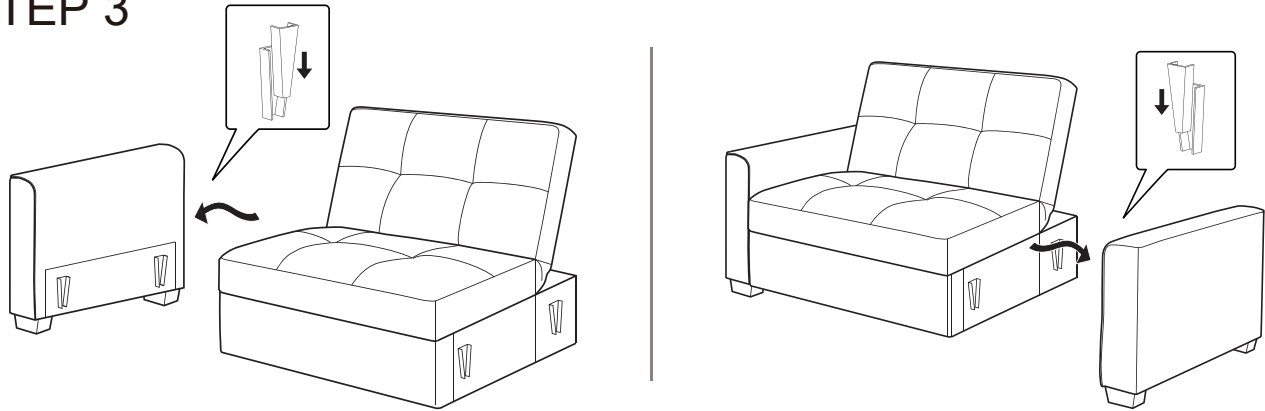
STEP 2



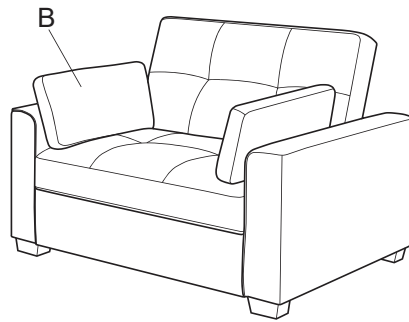
ITEM: 360146

ASSEMBLY INSTRUCTIONS

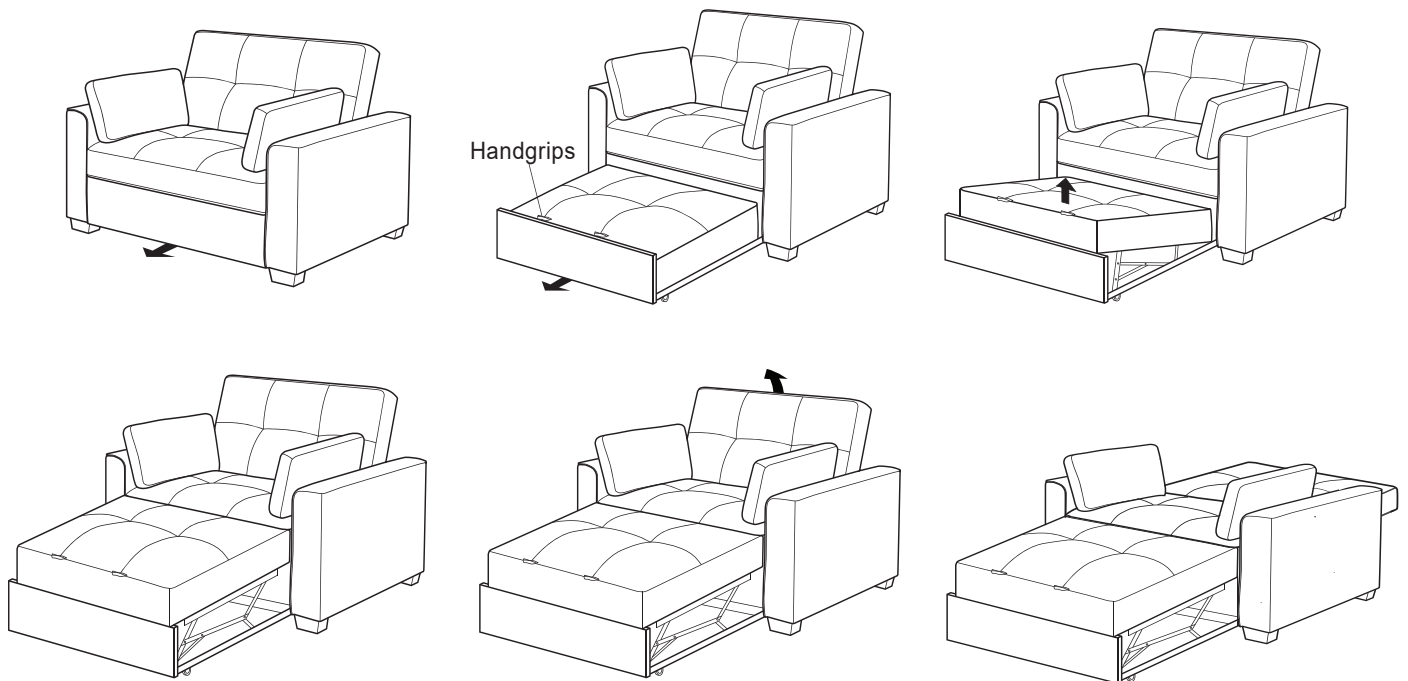
STEP 3



STEP 4



STEP 5

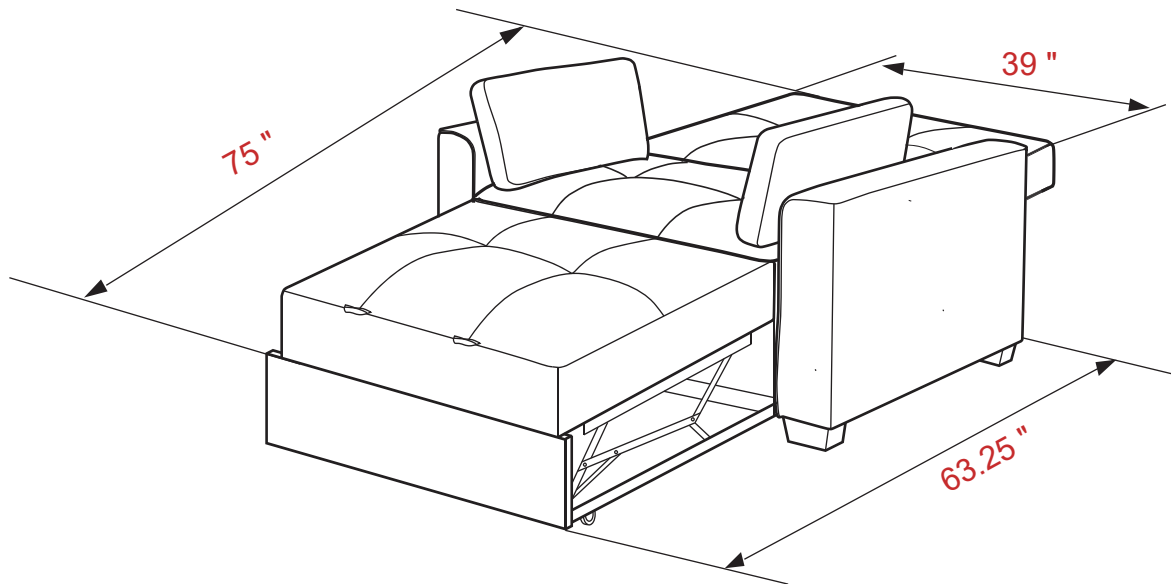
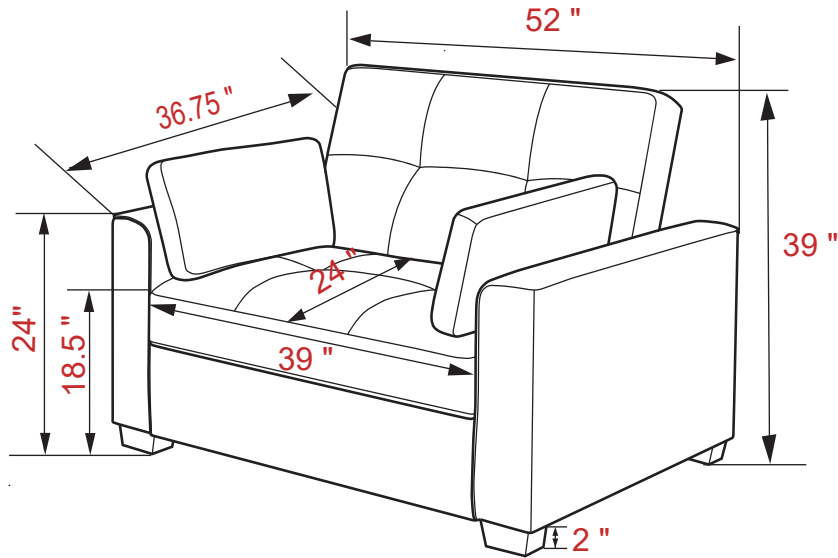


ITEM: 360146



ASSEMBLY INSTRUCTIONS

PRODUCT DIMENSION



Note: Dimension tolerance $\pm 5\%$