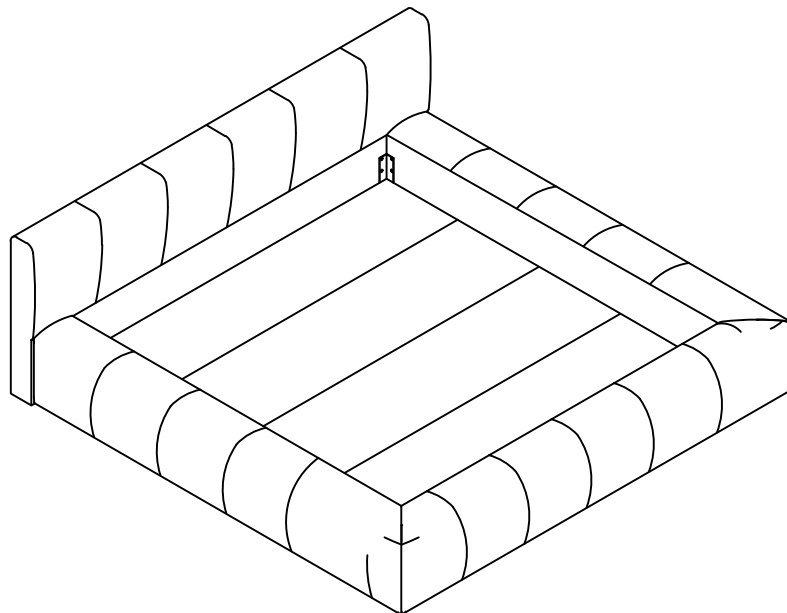




*ASSEMBLY INSTRUCTIONS*  
*COASTER FINE FURNITURE*



*Fine Furniture for every stage of life*

**315981KE(B1&B2)**  
***Eastern King Bed***

# ITEM: 315981KE(B1&B2)



## ASSEMBLY INSTRUCTIONS

### ASSEMBLY TIPS:

1. Remove hardware from box and sort by size.
2. Please check to see that all hardware and parts are present prior to start of assembly.
3. Please follow attached instructions in the same sequence as numbered to assure fast & easy assembly.



### WARNING!

1. Don't attempt to repair or modify parts that are broken or defective. Please contact the store immediately.
2. This product is for home use only and not intended for commercial establishments.

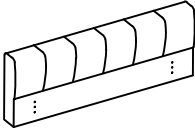





ASSEMBLY TIME

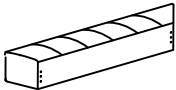

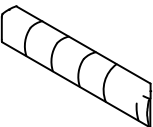
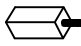
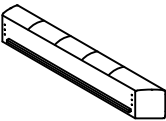

15 MINUTES

## PARTS IDENTIFICATION

### B1 (BOX 1)

A	HEABOARD PANEL		1PC	C	CONCEAL PANEL		4PCS
B	ROLL SLAT (13PCS)		1SET	I	FEET		4PCS

### B2 (BOX 2)

D	FOOTBOARD PANEL		1PC	G	CENTER RAIL		1PC
E	LEFT BED RAIL		1PC	H	BED SLAT SUPPORT WITH LEVELER		3PCS
F	RIGHT BED RAIL		1PC	I	FEET		9PCS

# ITEM: 315981KE(B1&B2)



## ASSEMBLY INSTRUCTIONS

### ASSEMBLY TIPS:

1. Remove hardware from box and sort by size.
2. Please check to see that all hardware and parts are present prior to start of assembly.
3. Please follow attached instructions in the same sequence as numbered to assure fast & easy assembly.


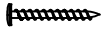
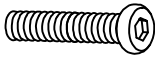





### WARNING!

1. Don't attempt to repair or modify parts that are broken or defective. Please contact the store immediately.
2. This product is for home use only and not intended for commercial establishments.

## HARDWARE IDENTIFICATION

### Z-B2 (BOX 2) - HARDWARE PACK IS LOCATED IN 315981KE(B2)

1	<b>ALLEN WRENCH</b> (M5 x 75mm x 32mm)		1PC	5	<b>FLAT HEAD SCREW</b> (M4 x 38mm - BLK)		22PCS
2	<b>BOLT</b> (Ø 5/16" x 38mm - BLK)		24PCS	6	<b>METAL BRACKET</b> (150mm x 45mm x 45mm x 3mm - BLK)		4PCS
3	<b>FLAT WASHER</b> (Ø 5/16" x 19mm - BLK)		24PCS				
4	<b>LOCK WASHER</b> (Ø 5/16" x R6.5 - BLK)		24PCS				

### NOTE:

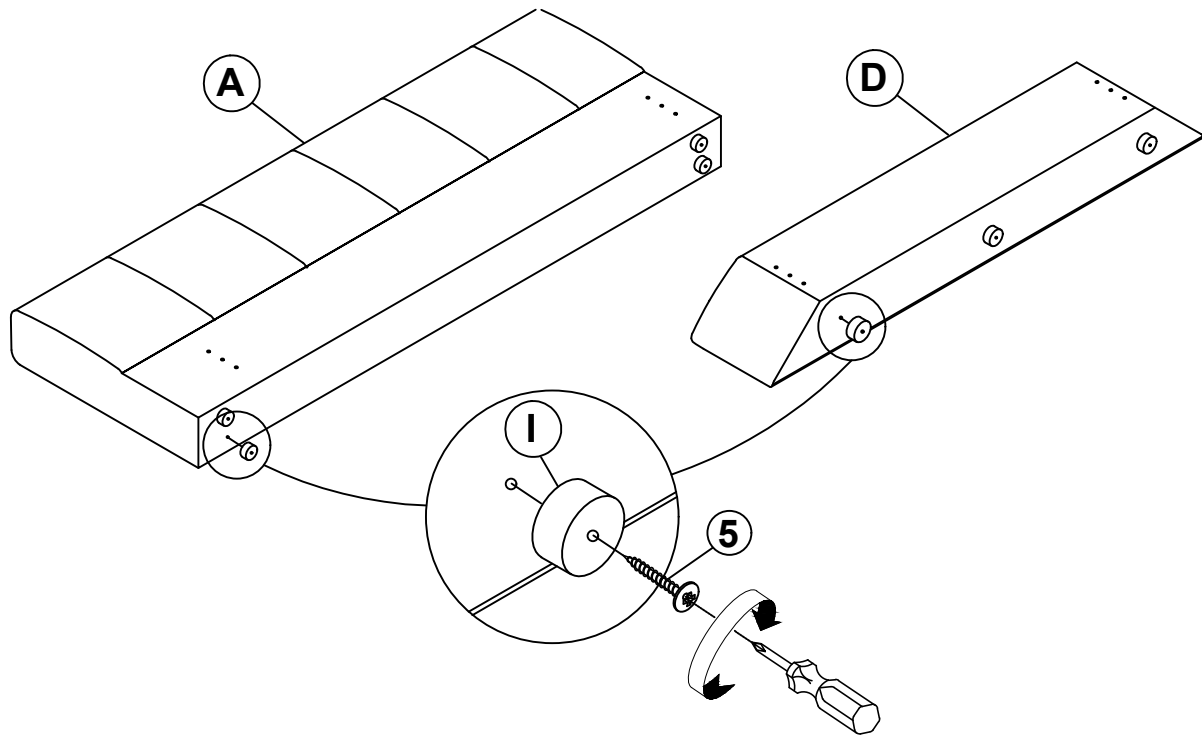
Phillips head screw driver is required in the assembly process; however, manufacturer does not provide this item.

# ITEM: 315981KE(B1&B2)

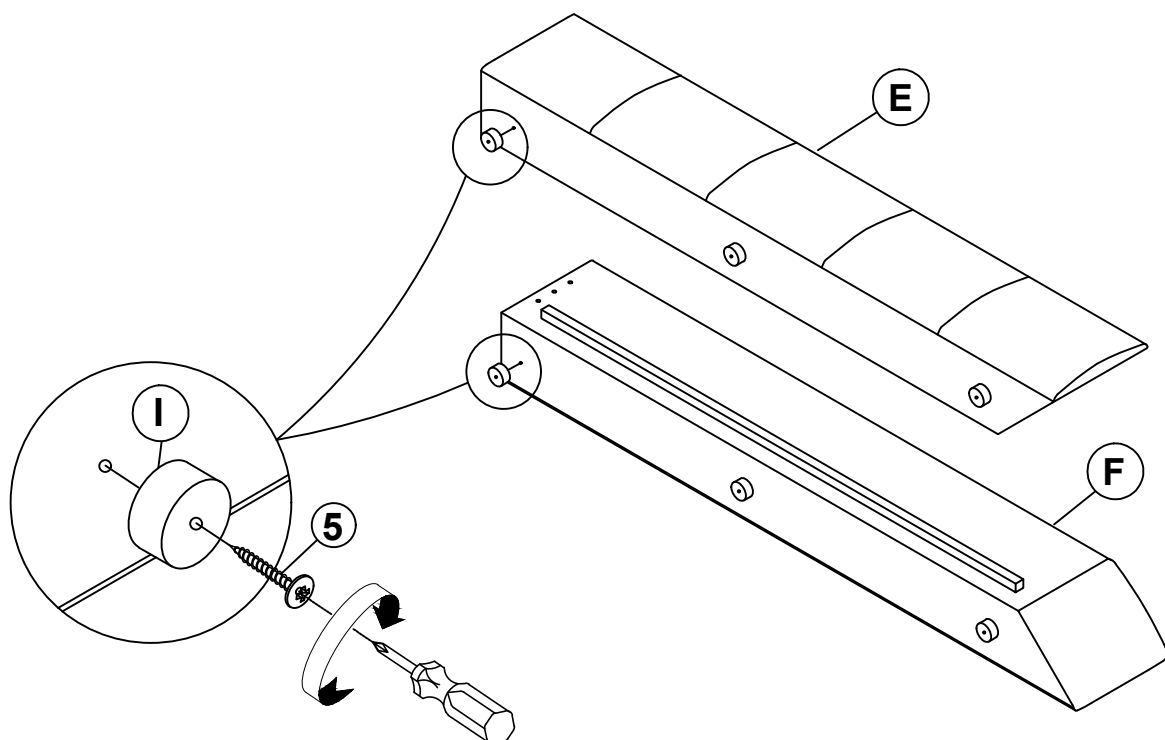
## ASSEMBLY INSTRUCTIONS



### STEP 1



### STEP 2

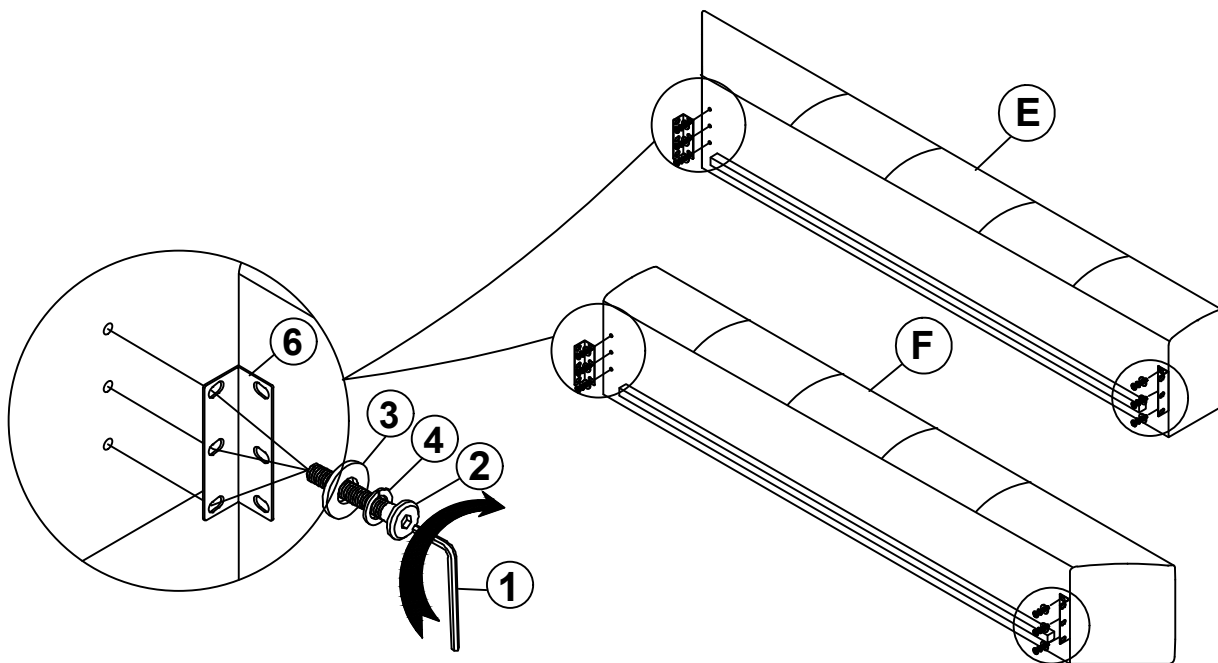


# ITEM: 315981KE(B1&B2)

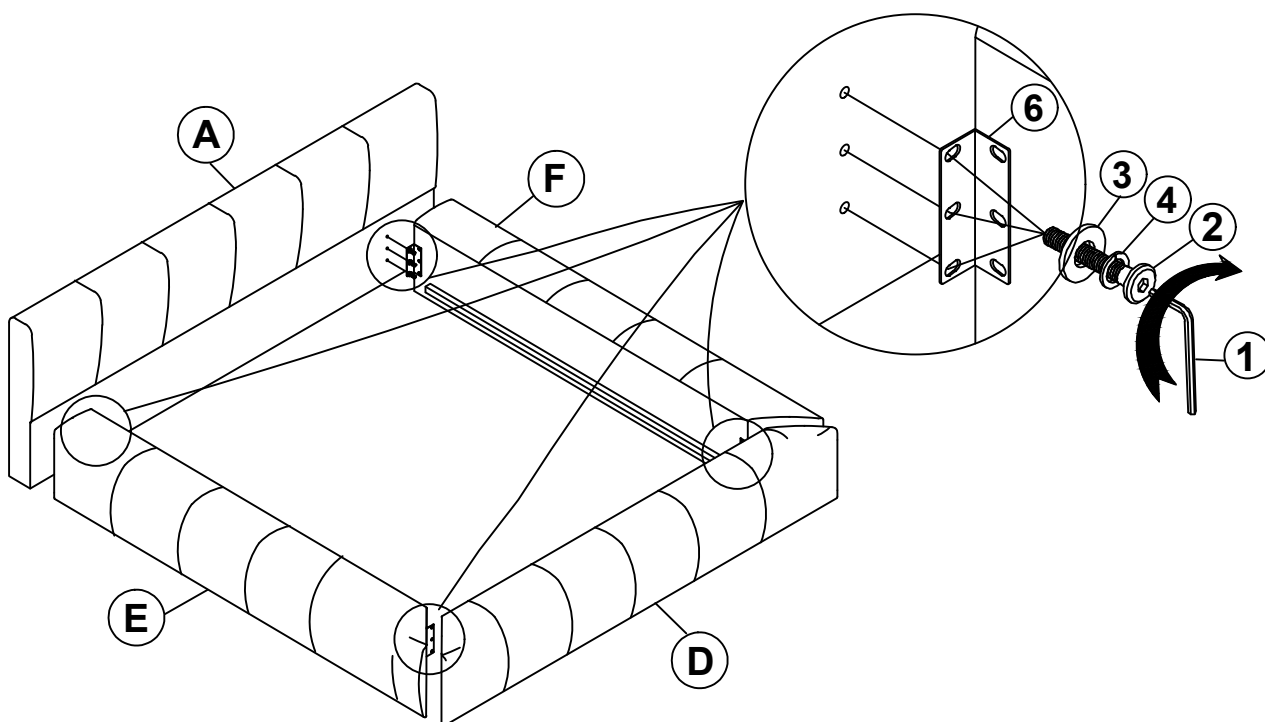
## ASSEMBLY INSTRUCTIONS



### STEP 3



### STEP 4

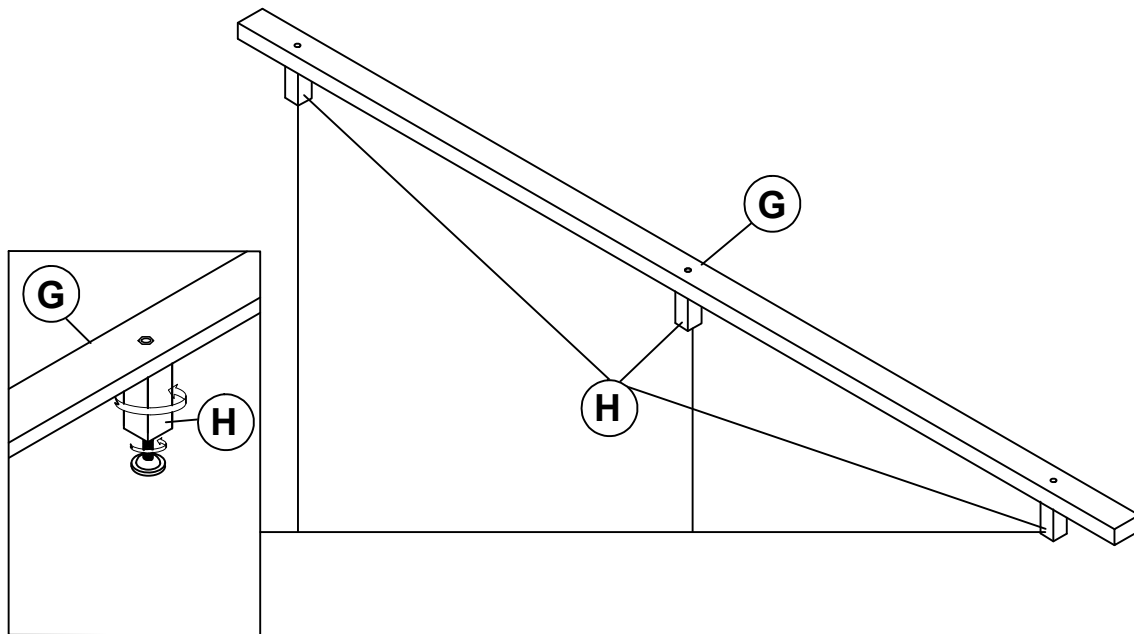


# ITEM: 315981KE(B1&B2)

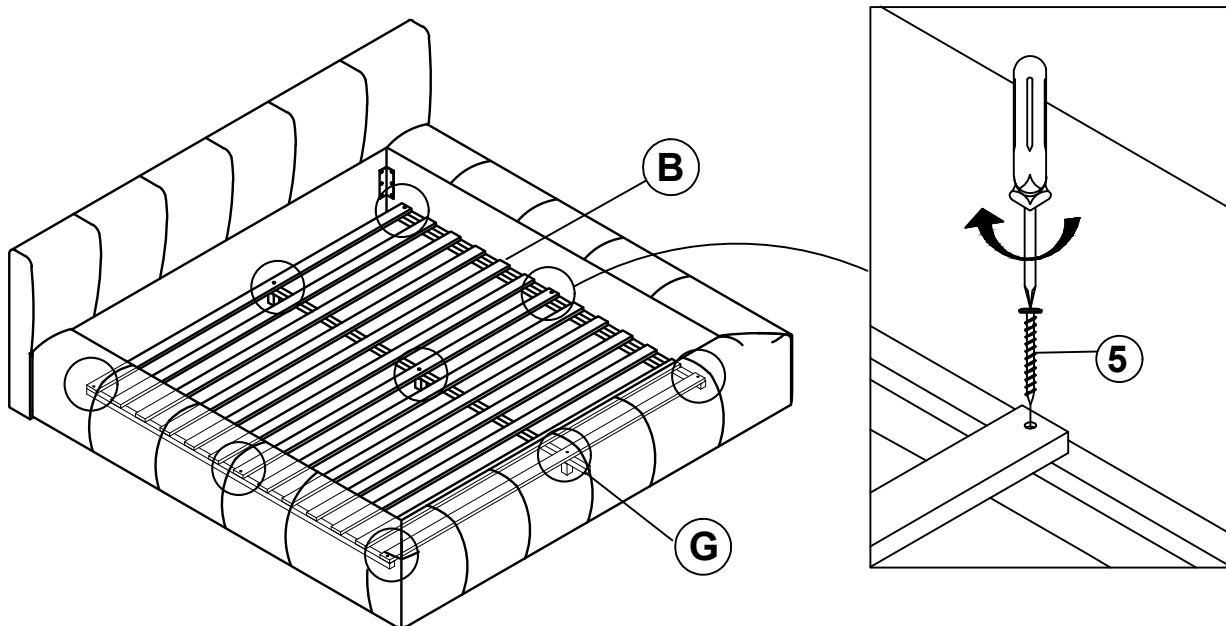
## ASSEMBLY INSTRUCTIONS



### STEP 5



### STEP 6

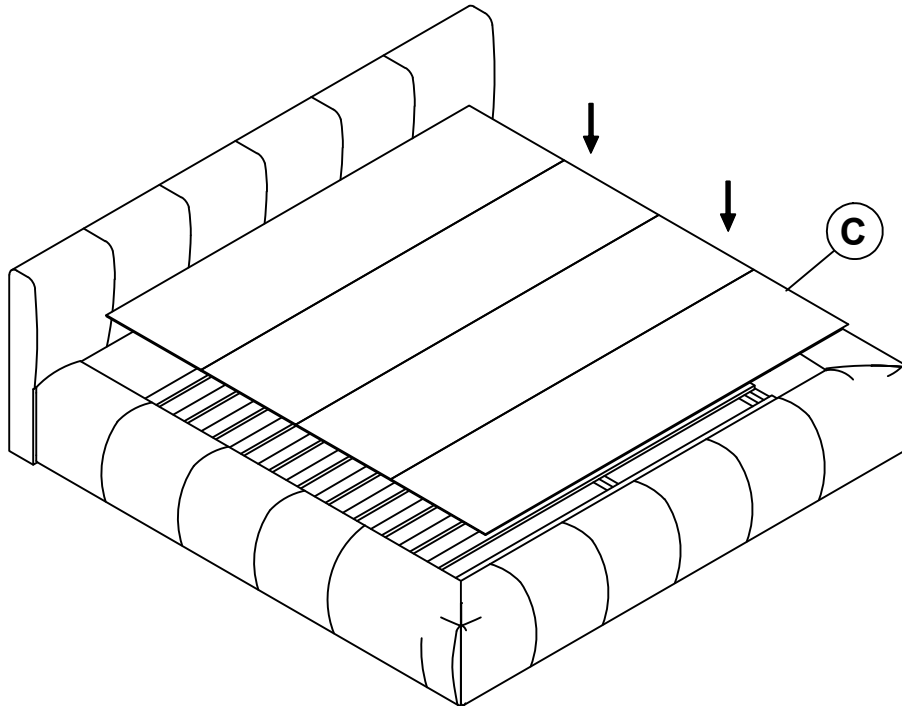


ITEM: **315981KE(B1&B2)**

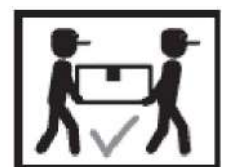
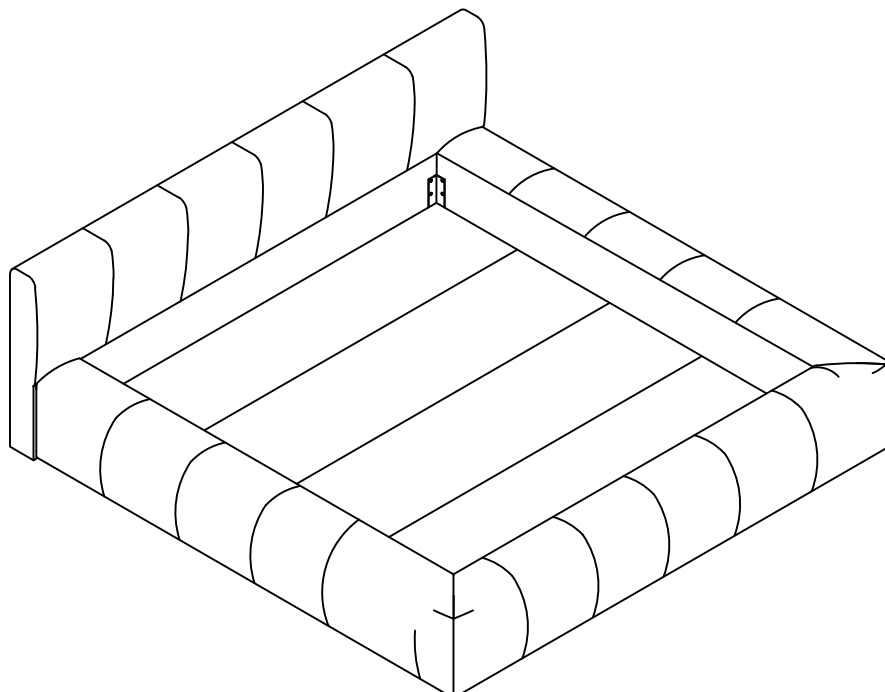
**ASSEMBLY INSTRUCTIONS**



**STEP 7**



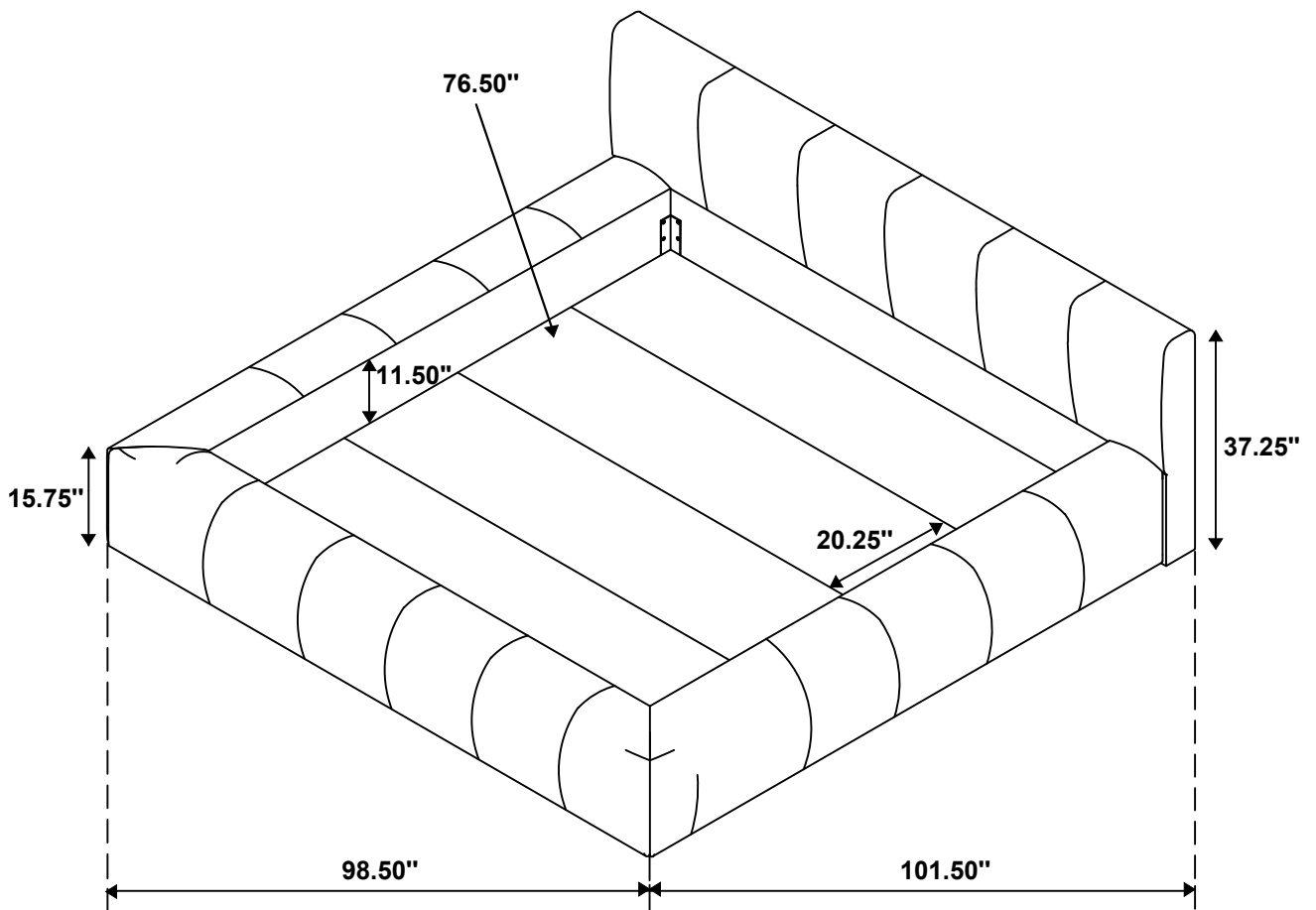
**STEP 8**  
**COMPLETE**



ITEM: **315981KE(B1&B2)**



Inner Size: 77.00"W X 81.00"D



Note: Dimension tolerance  $\pm 5\%$