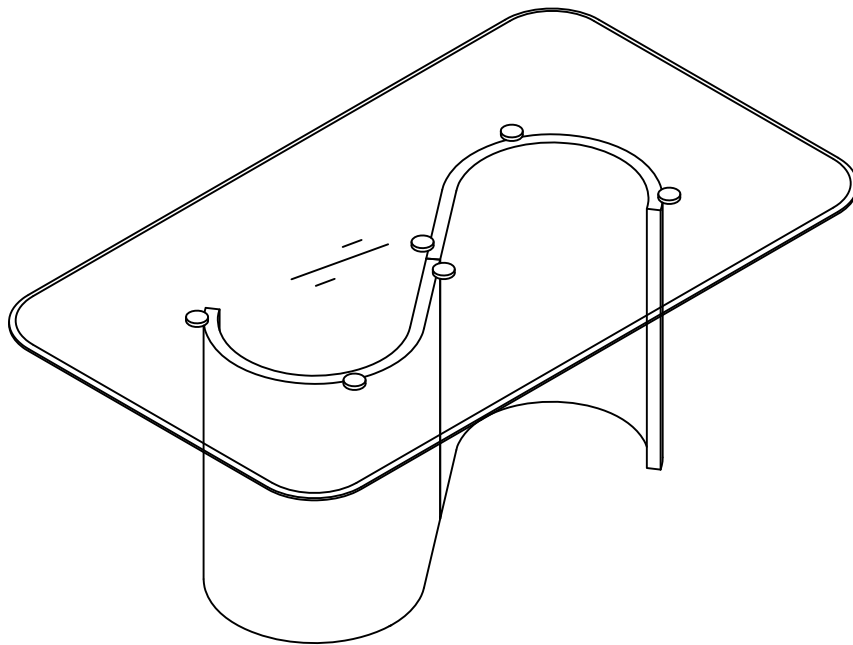


ASSEMBLY INSTRUCTIONS
COASTER FINE FURNITURE



Fine Furniture for every stage of life

105761(B1-B2)
DINING TABLE

ITEM: 105761(B1-B2)



ASSEMBLY INSTRUCTIONS

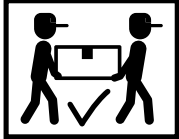
ASSEMBLY TIPS:

1. Remove hardware from box and sort by size.
2. Please check to see that all hardware and parts are present prior to start of assembly.
3. Please follow attached instructions in the same sequence as numbered to assure fast & easy assembly.



WARNING !

1. Don't attempt to repair or modify parts that are broken or defective. Please contact the store immediately.
2. This product is for home use only and not intended for commercial establishment.



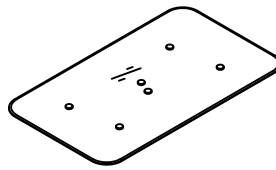
ASSEMBLY TIME

10 MINUTE

PARTS IDENTIFICATION

B1 (BOX 1)

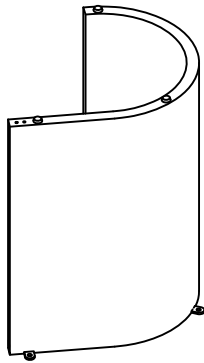
A GLASS TOP



1PC

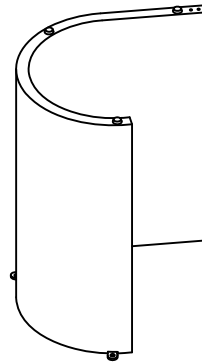
B2 (BOX 2)

B BASE 1



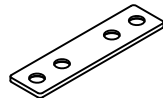
1PC

C BASE 2



1PC

D METAL PLATE



1PC

HARDWARE IDENTIFICATION

Z-B2 (BOX 2) - HARDWARE PACK IS LOATED IN 105761 (B2)

1	BOLT (1/4"x3/4")		6PCS	4	WASHER (ϕ 16mm)		6PCS
2	BOLT (1/4"x1/2")		4PCS	5	ALLEN KEY (4x22x60mm)		1PC
3	NUT (ϕ 1/4")		6PCS	6	WRENCH		1PC

ITEM: **105761(B1-B2)**

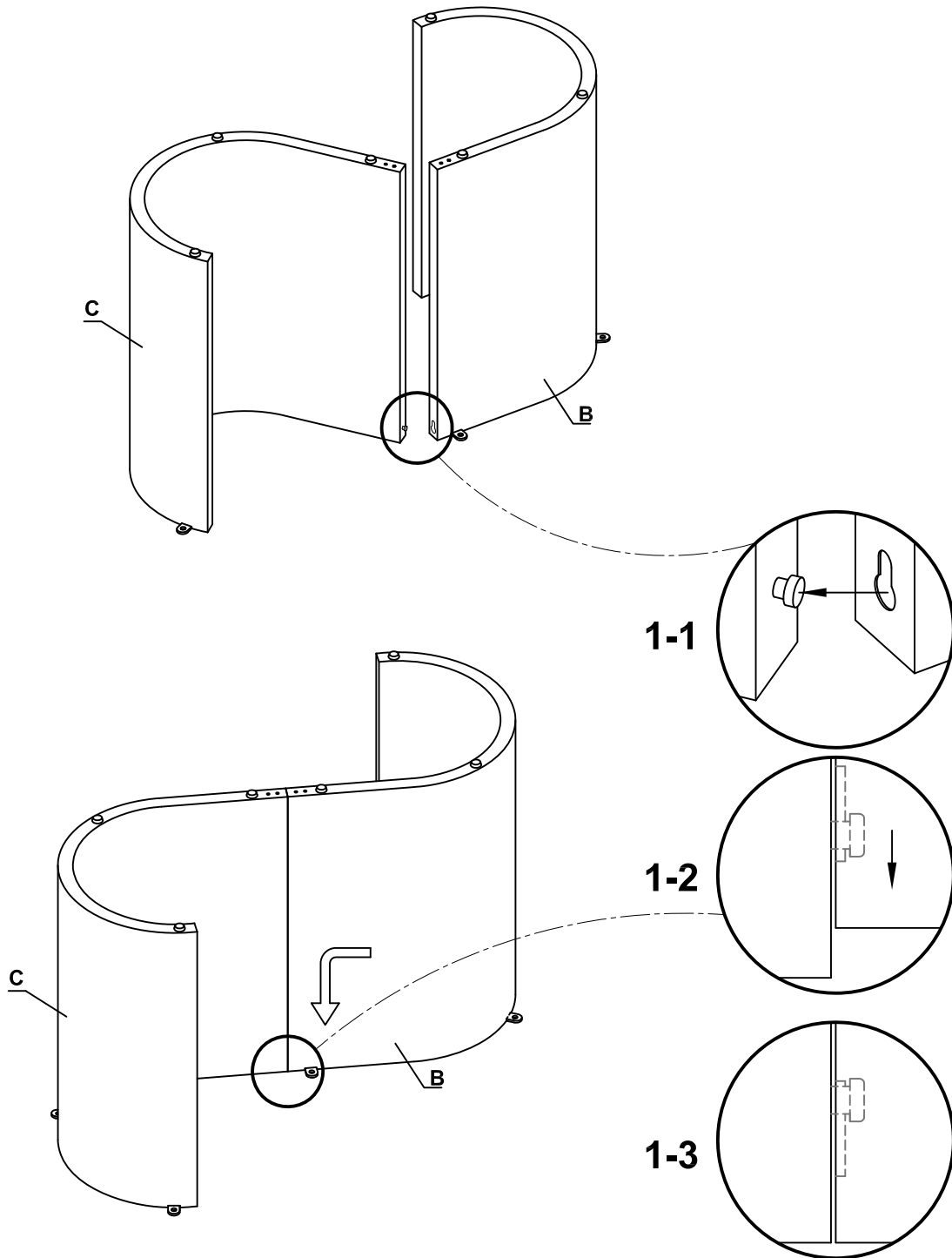


ASSEMBLY INSTRUCTIONS

STEP 1:

NOTE:

Please put all parts on a non-abrasive floor before assembly, and follow assembly steps to assemble your newly purchased product correctly and efficiently.



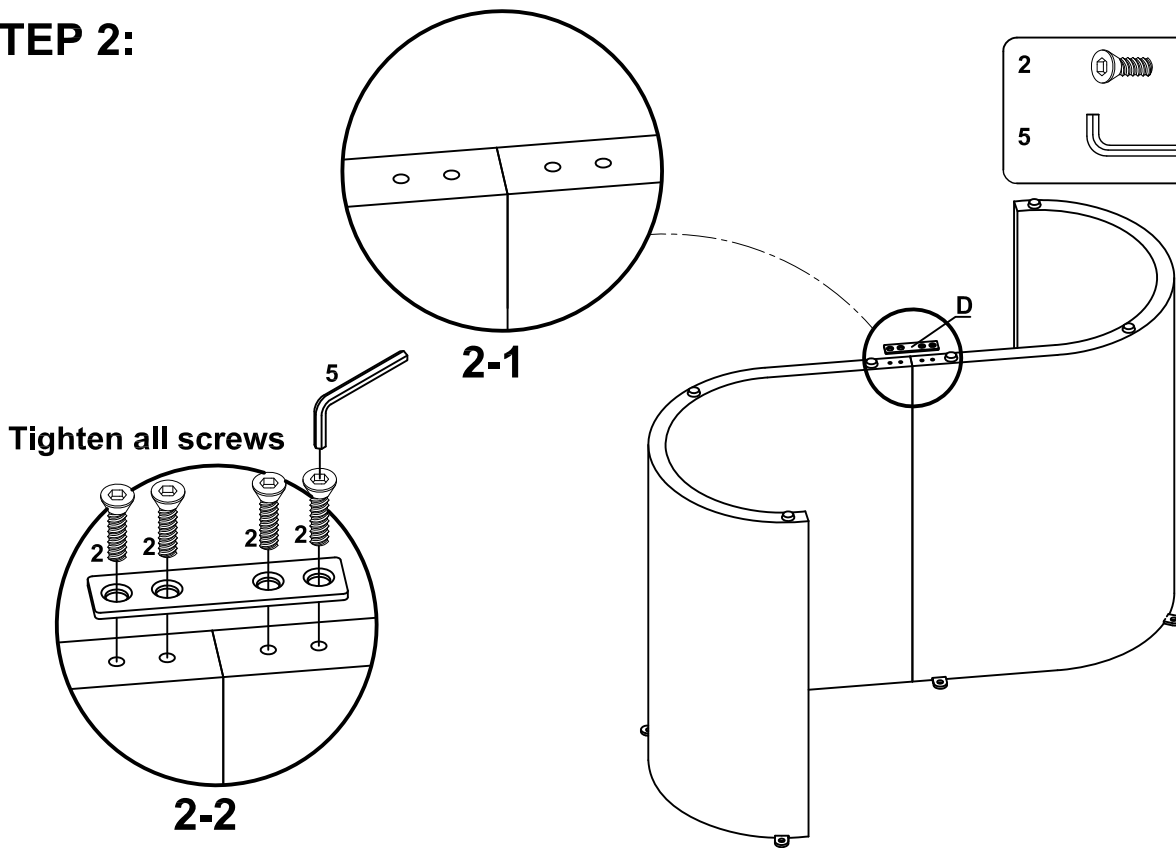
ITEM: **105761(B1-B2)**

ASSEMBLY INSTRUCTIONS

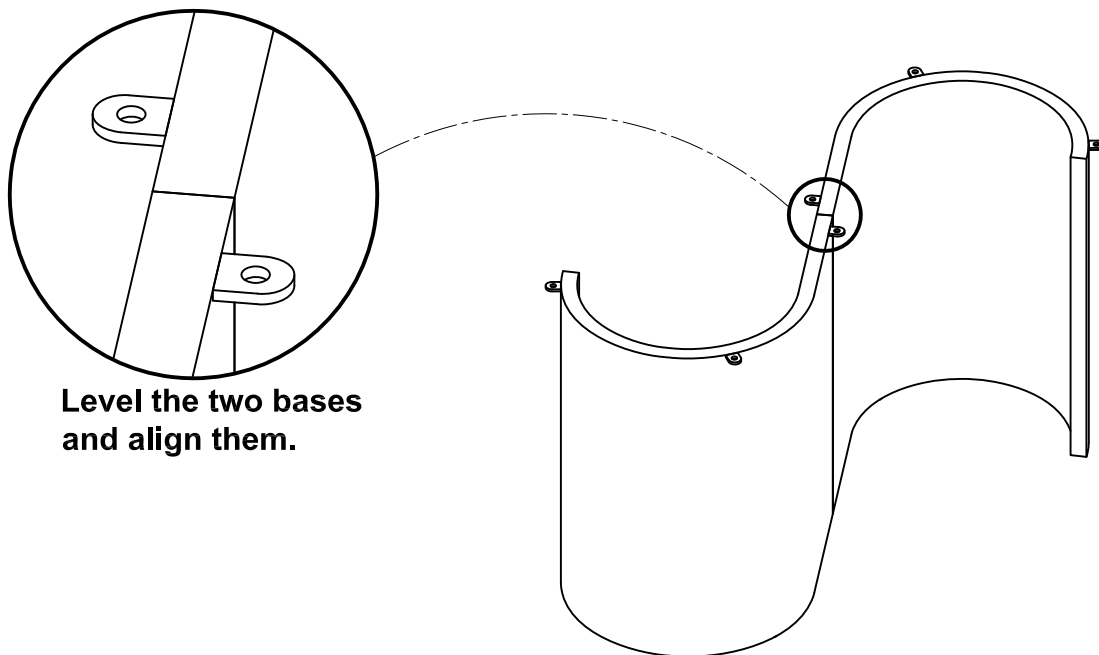
STEP 2:



2		4PCS
5		



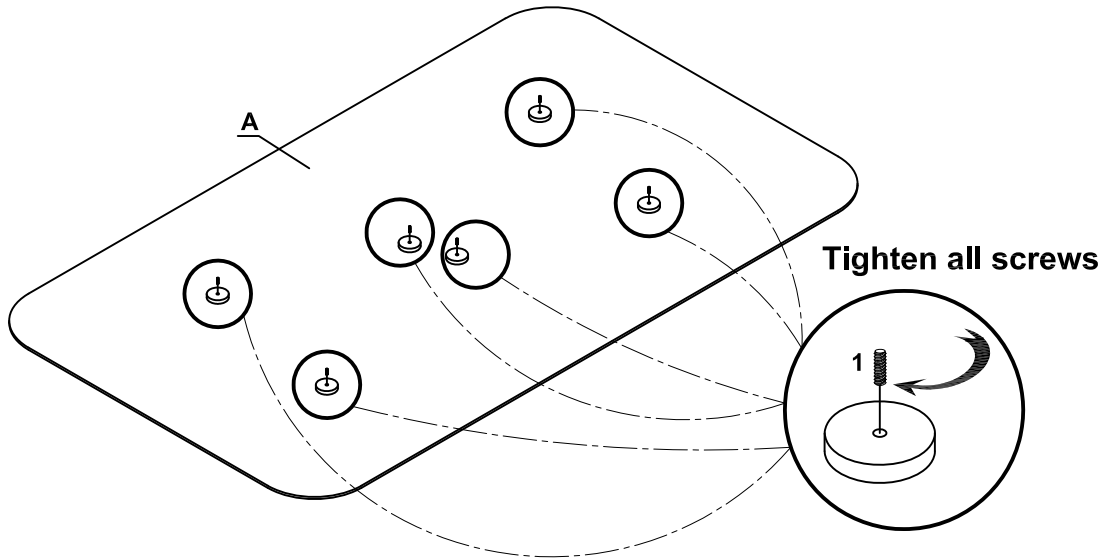
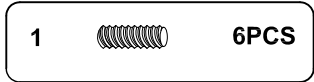
STEP 3:



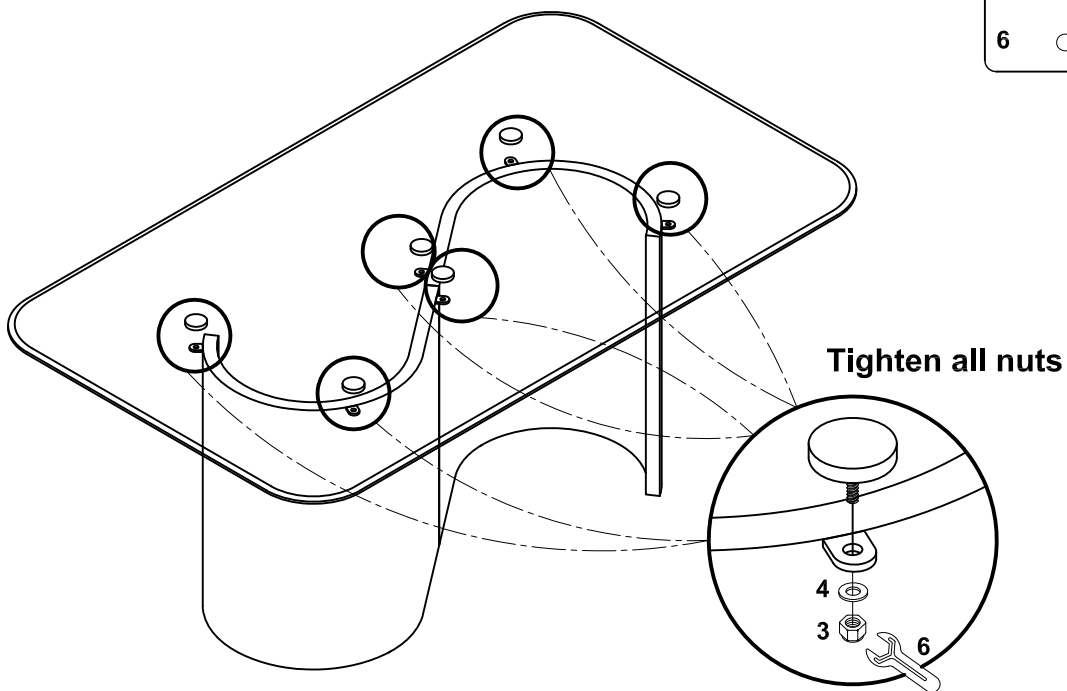
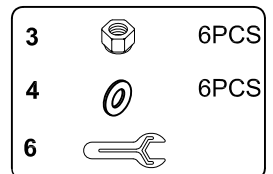
ITEM: **105761(B1-B2)**

ASSEMBLY INSTRUCTIONS

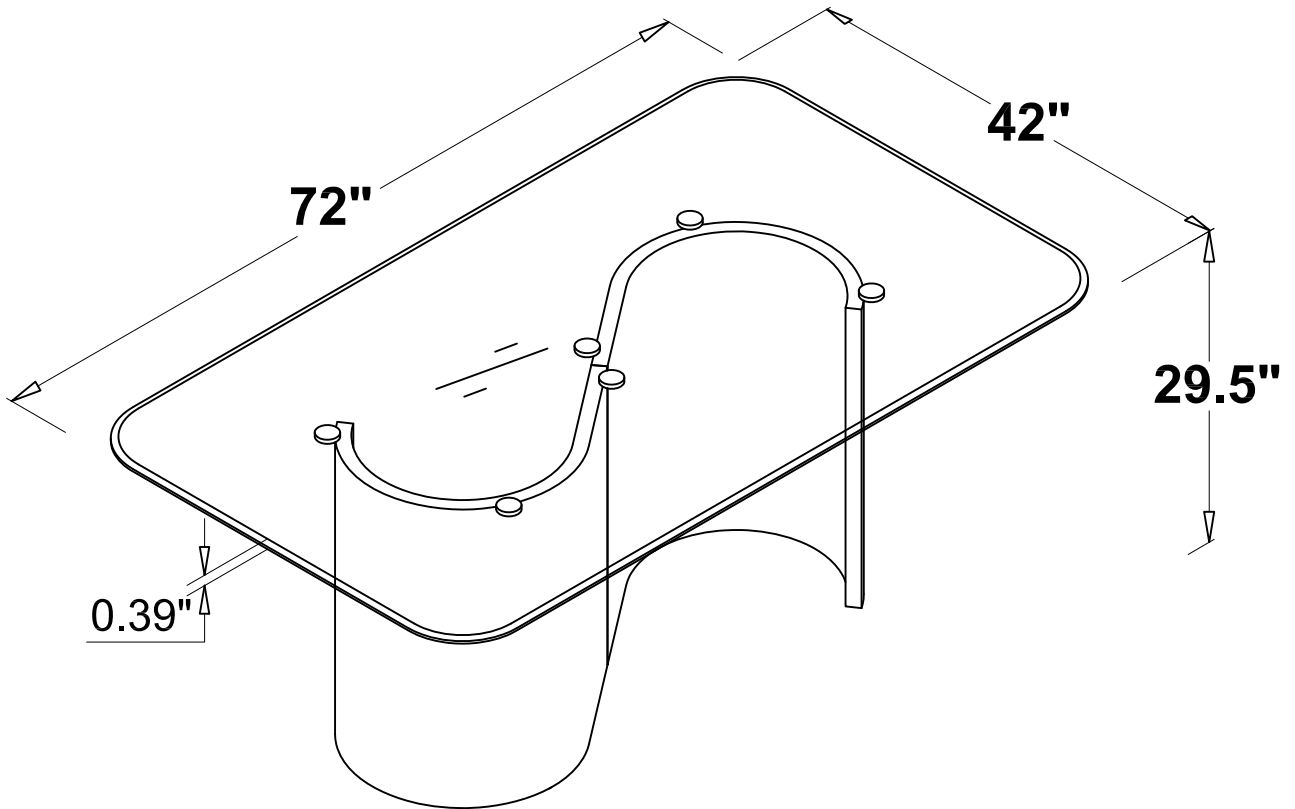
STEP 4:



STEP 5:



ITEM: **105761(B1-B2)**



Note : Dimension tolerance $\pm 5\%$