



*ASSEMBLY INSTRUCTIONS*  
*COASTER FINE FURNITURE*



*Fine Furniture for every stage of life*

**108232**  
***Side Chair***

# ITEM:108232



## ASSEMBLY INSTRUCTIONS

### ASSEMBLY TIPS:

- 1.Remove hardware from box and sort by size.
- 2.Please check to see that all hardware and parts are present prior to start of assembly.
- 3.Please follow attached instructions in the same sequence as numbered to assure fast & easy assembly.



### WARNING




- 1.Don't attempt to repair or modify parts that are broken or defective. Please contact the store immediately.
- 2.This product is for home use only and not intended for commercial establishments.




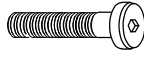
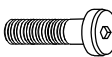



ASSEMBLY TIME

10 MINUTES

## PARTS IDENTIFICATION

A	BACK FRAME		1PC
B	SEAT CUSHION WITH FRAME		1PC
C	FRONT LEG		2PCS

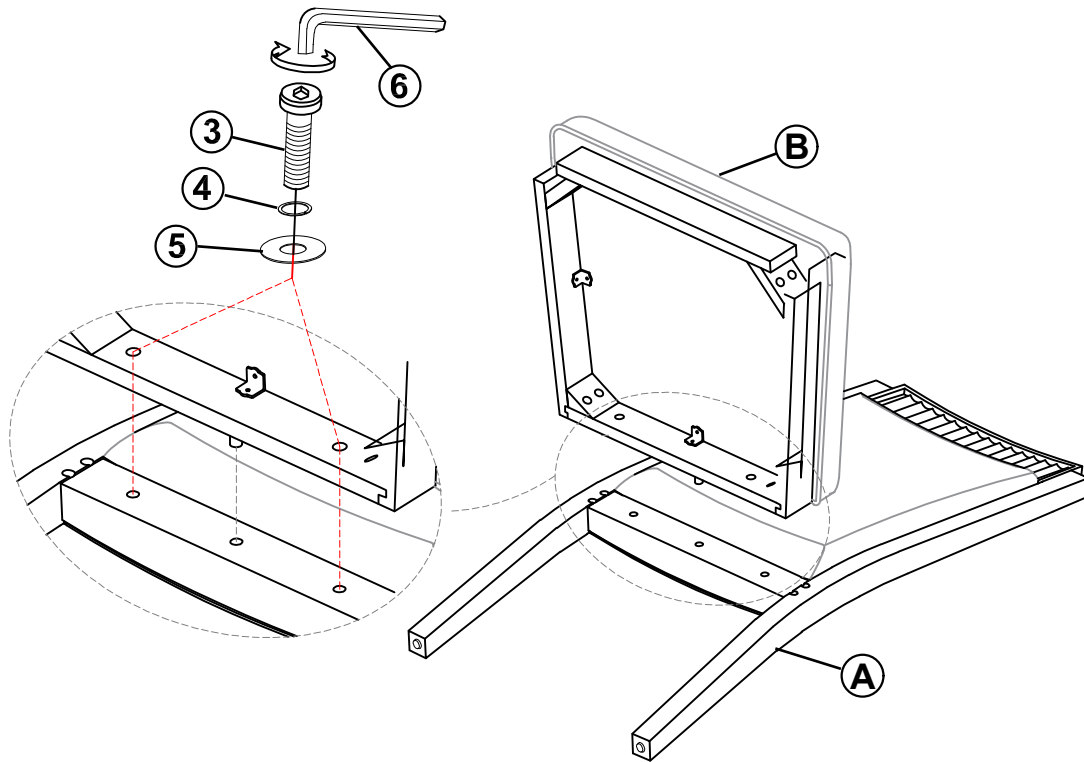
## HARDWARE IDENTIFICATION

1	LONG BOLT (5/16" x 70mm - RBW)		4PCS
2	MEDIUM BOLT (5/16" x 50mm - RBW)		4PCS
3	SHORT BOLT (5/16" x 38mm - RBW)		2PCS
4	LOCK WASHER (5/16" - RBW)		10PCS
5	FLAT WASHER (5/16" x 19 x 1.5mm - RBW)		10PCS
6	ALLEN WRENCH (4mm - RBW)		1PC

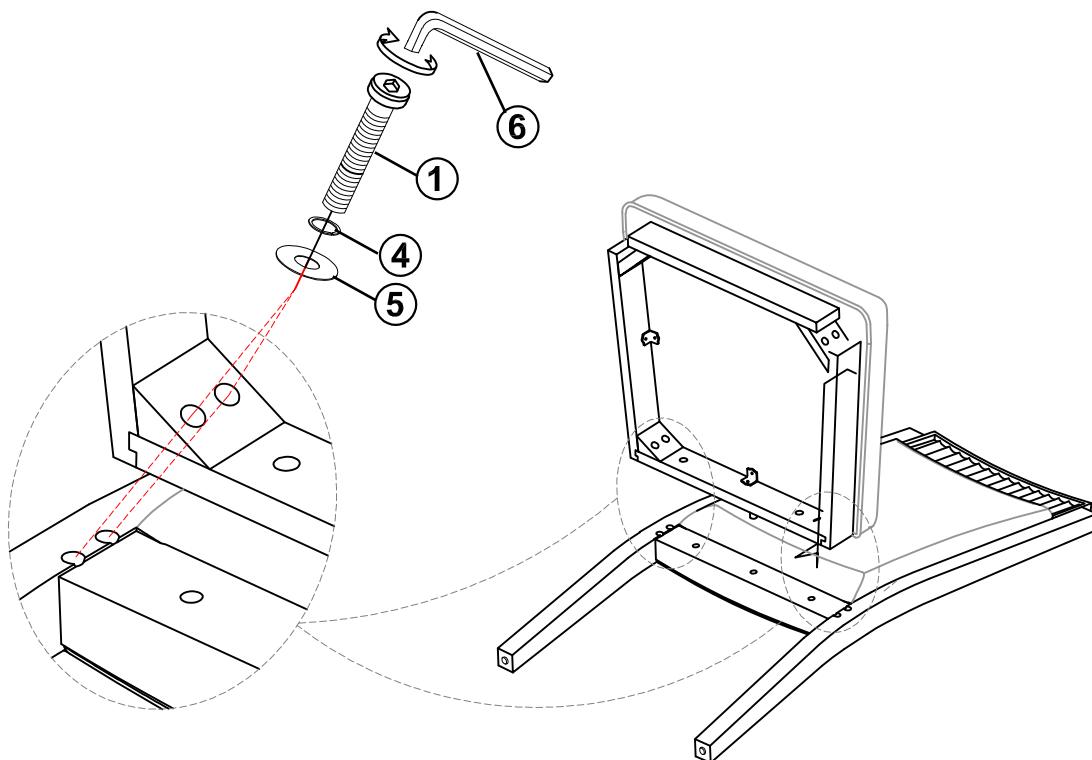
ITEM: **108232**  
**ASSEMBLY INSTRUCTIONS**



**STEP 1**



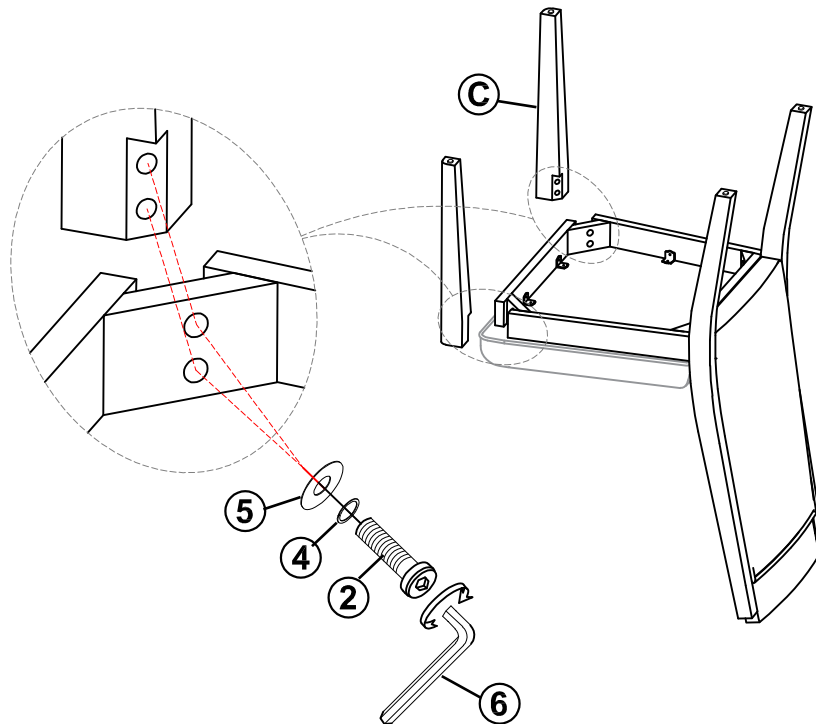
**STEP 2**



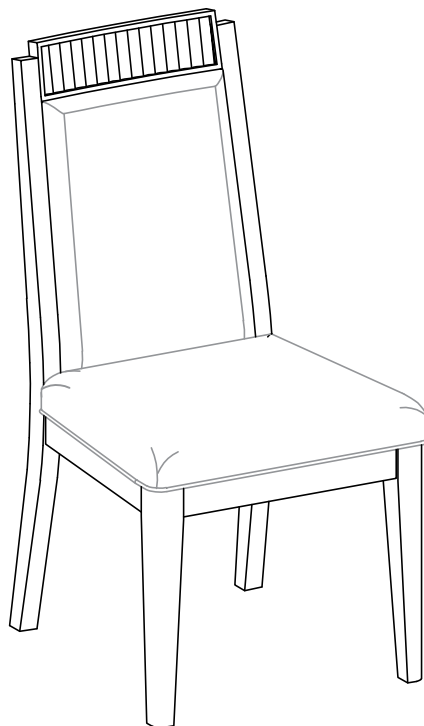
ITEM: **108232**  
**ASSEMBLY INSTRUCTIONS**



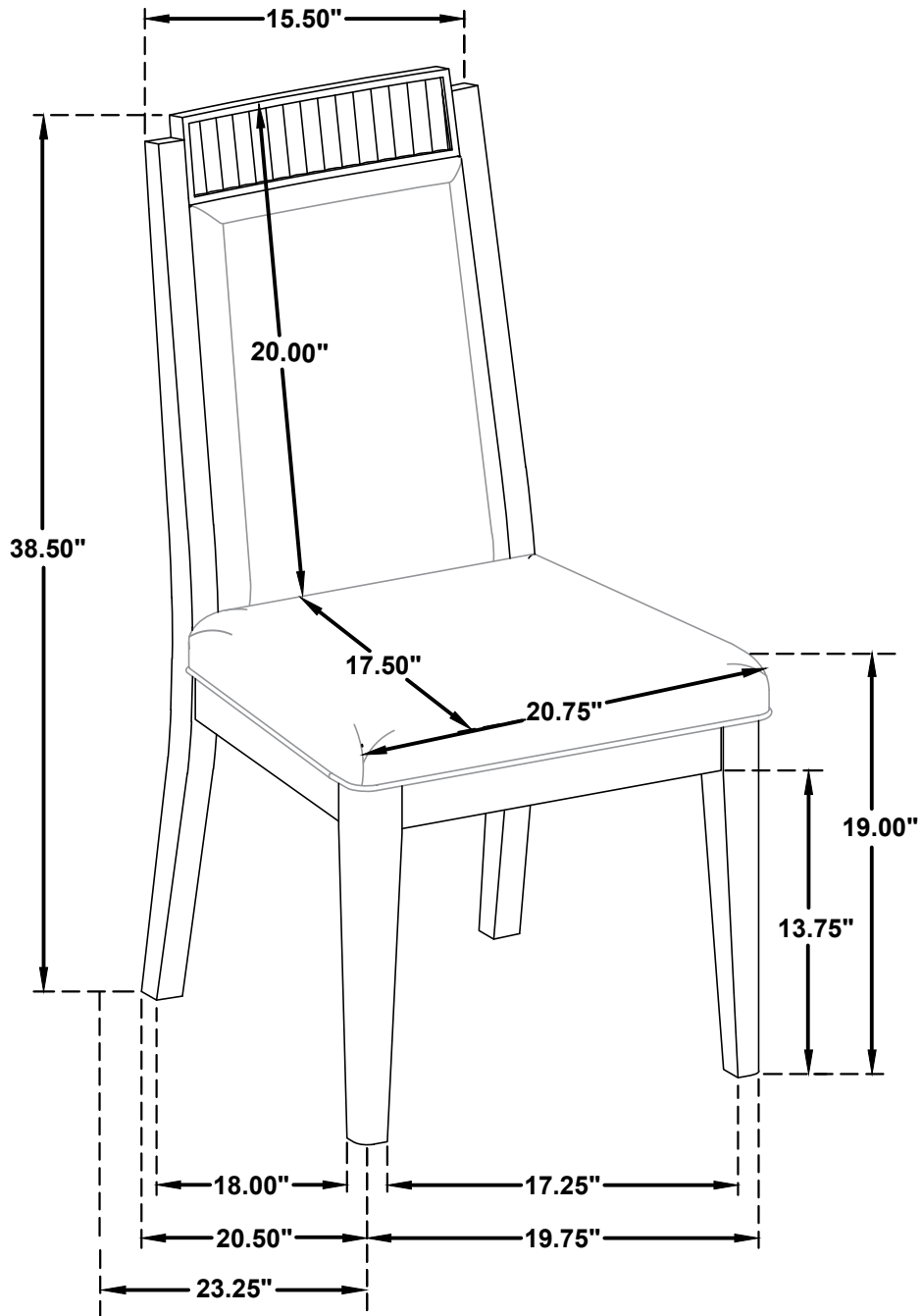
**STEP 3**



**STEP 4**  
**COMPLETE**



ITEM:108232



Note : Dimension tolerance  $\pm 5\%$