

ASSEMBLY INSTRUCTIONS
COASTER FINE FURNITURE



Fine Furniture for every stage of life

108622
Side Chair

ITEM:108622



ASSEMBLY INSTRUCTIONS

ASSEMBLY TIPS:

1. Remove hardware from box and sort by size.
2. Please check to see that all hardware and parts are present prior to start of assembly.
3. Please follow attached instructions in the same sequence as numbered to assure fast & easy assembly.



WARNING!

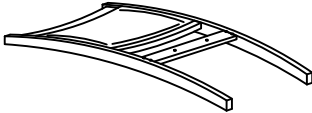
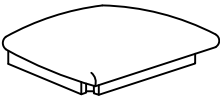
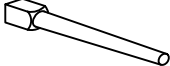
1. Don't attempt to repair or modify parts that are broken or defective. Please contact the store immediately.
2. This product is for home use only and not intended for commercial establishments.









ASSEMBLY TIME

10 MINUTES

PARTS IDENTIFICATION

A	BACK FRAME		1PC
B	SEAT CUSHION WITH FRAME		1PC
C	FRONT LEG		2PCS

HARDWARE IDENTIFICATION

1	SHORT BOLT (M6 x 35mm - RBW)		2PCS
2	MEDIUM BOLT (M6 x 60mm - RBW)		4PCS
3	LONG BOLT (M6 x 80mm - RBW)		4PCS
4	LOCK WASHER (M6 x 12mm - RBW)		10PCS
5	FLAT WASHER (M6 x 19mm - RBW)		10PCS
6	ALLEN WRENCH (M4 x 100mm - BLK)		1PC

NOTE:

Quantities shown are for one chair.

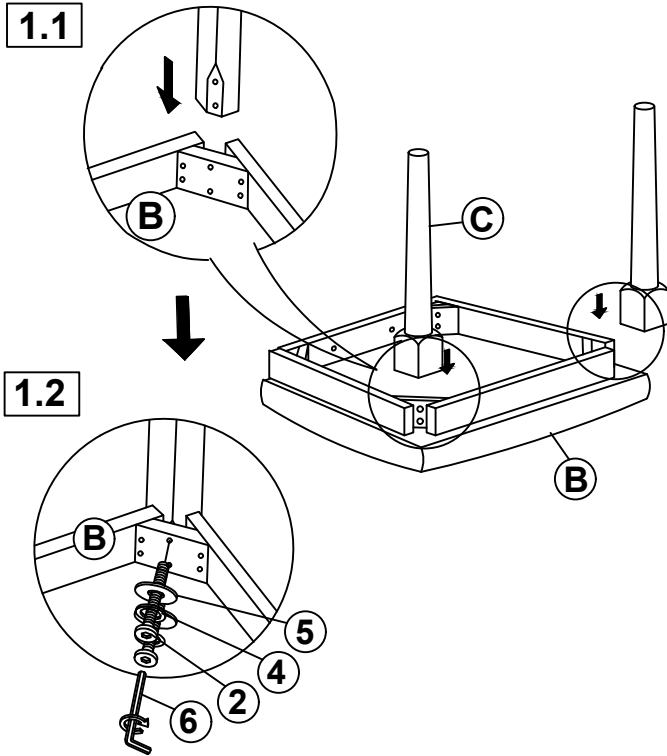
Phillips head screw driver is required in the assembly process; however, manufacturer does not provide this item.

ITEM: **108622**

ASSEMBLY INSTRUCTIONS

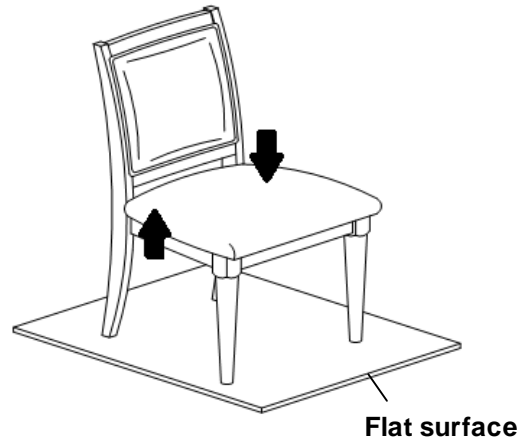


STEP 1



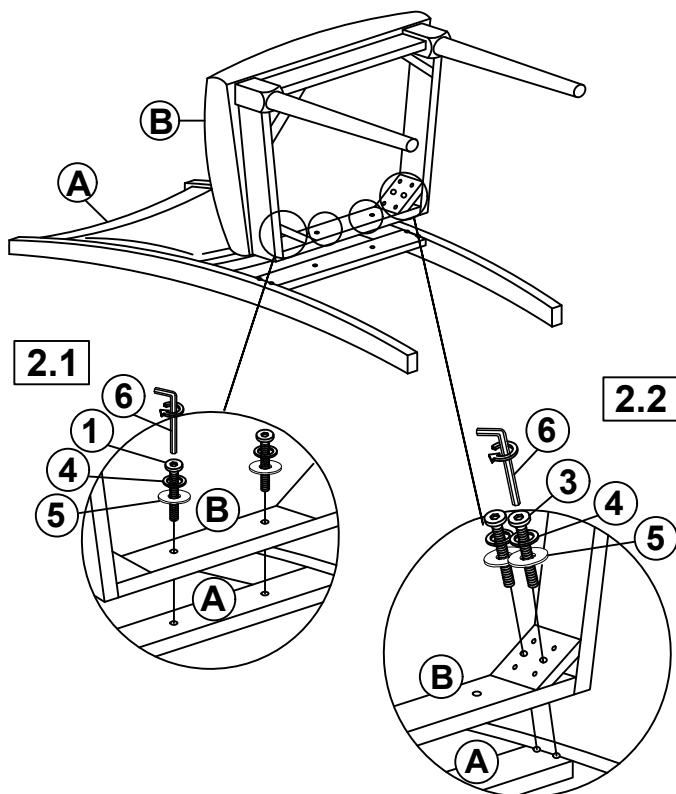
STEP 3

- a. Make sure the chair is level
(adjust the chair seat up/down if necessary)
- b. Fully tighten all the screw from step 2.



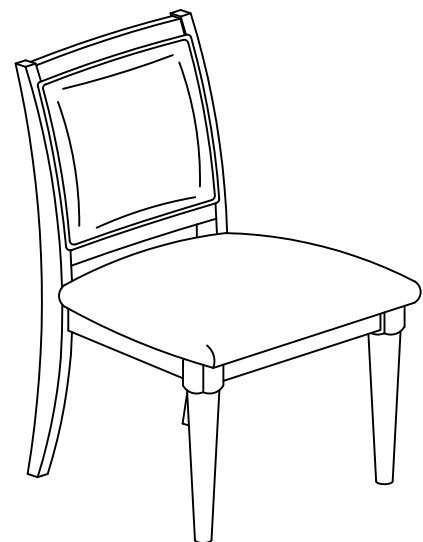
STEP 2

Remark: Do not fully tighten the screws.

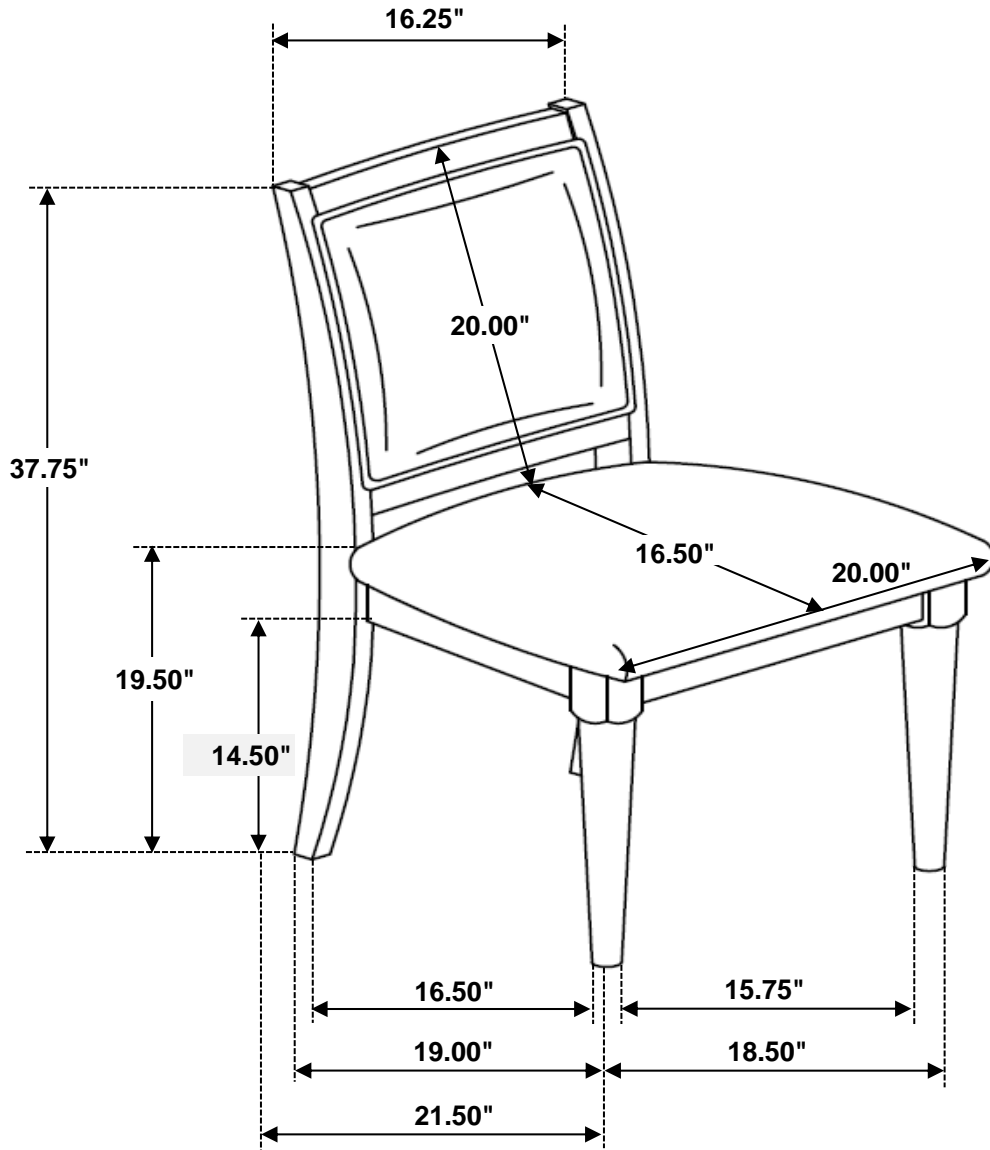


STEP 4

COMPLETE



ITEM:108622



Note: Dimension tolerance $\pm 5\%$