

ASSEMBLY INSTRUCTIONS
COASTER FINE FURNITURE



Fine Furniture for every stage of life

701703
MEDIA TOWER

ITEM:701703



ASSEMBLY INSTRUCTIONS

ASSEMBLY TIPS:

1. Remove hardware from box and sort by size.
2. Please check to see that all hardware and parts are present prior to start of assembly.
3. Please follow attached instructions in the same sequence as numbered to assure fast & easy assembly.



WARNING!

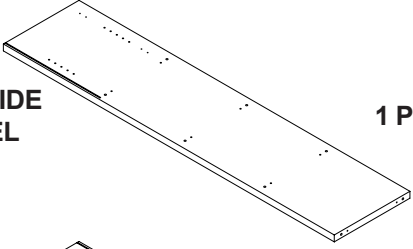
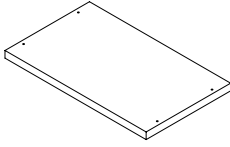
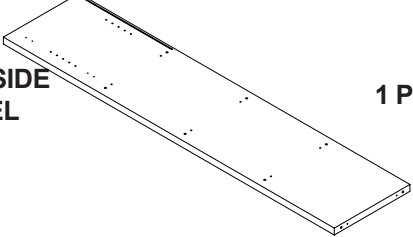
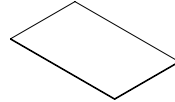
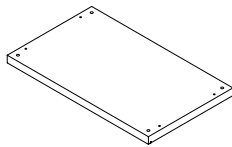
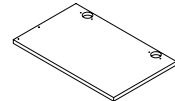
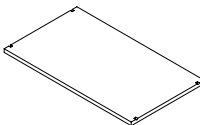
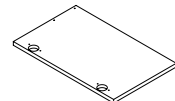
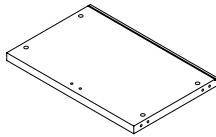
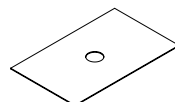
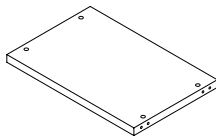
1. Don't attempt to repair or modify parts that are broken or defective. Please contact the store immediately.
2. This product is for home use only and not intended for commercial establishments.



ASSEMBLY TIME

40 MINUTES

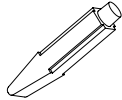

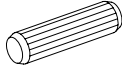
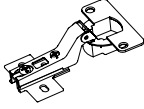
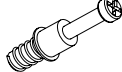


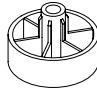
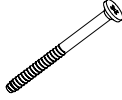
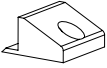


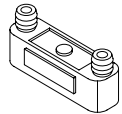
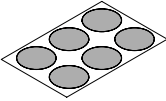
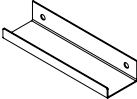

PARTS IDENTIFICATION

A	LEFT SIDE PANEL		1 PC	G	TOP PANEL		1 PC
B	RIGHT SIDE PANEL		1 PC	H	BACK PANEL		1 PC
C	BOTTOM PANEL		1 PC	I	LEFT DOOR		1 PC
D	ADJUSTABLE PANEL		1 PC	J	RIGHT DOOR		1 PC
E	LOWER CROSS PANEL		1 PC	KN	BACK PANEL		1 PC
F	UPPER CROSS PANEL		2 PCS				

NOTE:

Phillips head screw driver is required in the assembly process; however, manufacturer does not provide this item.

HARDWARE IDENTIFICATION

Z							
NO	DESCRIPTION	FIGURE	Q'TY	NO	DESCRIPTION	FIGURE	Q'TY
1	GLUE 15g		1 PC	9	HANDLE SCREW ø3x15mm BLK		4 PCS
2	WOODEN DOWEL ø8x30mm		20 PCS	10	HINGE ø35mm SR		4 PCS
3	CAM BOLT ø7x35.5mm SR		12 PCS	11	HINGE SCREW ø4x15mm SR		16 PCS
4	CAM LOCK ø15x12mm SR		12 PCS	12	FOOT ø35xH19mm		4 PCS
5	BOLT ø9.5x55mm SR		8 PCS	13	FIXER		6 PCS
6	PIN FOR ADJUSTABLE SHELF ø4.9x8mm SR		4 PCS	14	FIXER SCREW ø3x19mm SR		6 PCS
7	DOOR CATCH		1 PC	15	STICKER ø20mm		2 PCS
8	HANDLE L=120mm BLK		2 PCS	16	PLASTIC COVER Ø 52mm		1 PC

Z8,Z10,Z12 not included in blister packaging.

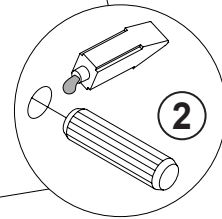
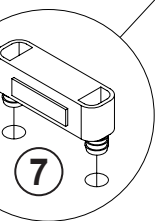
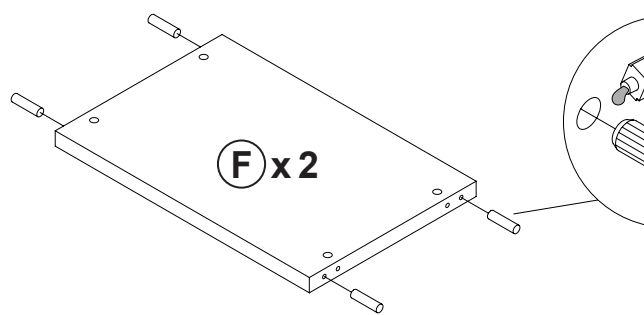
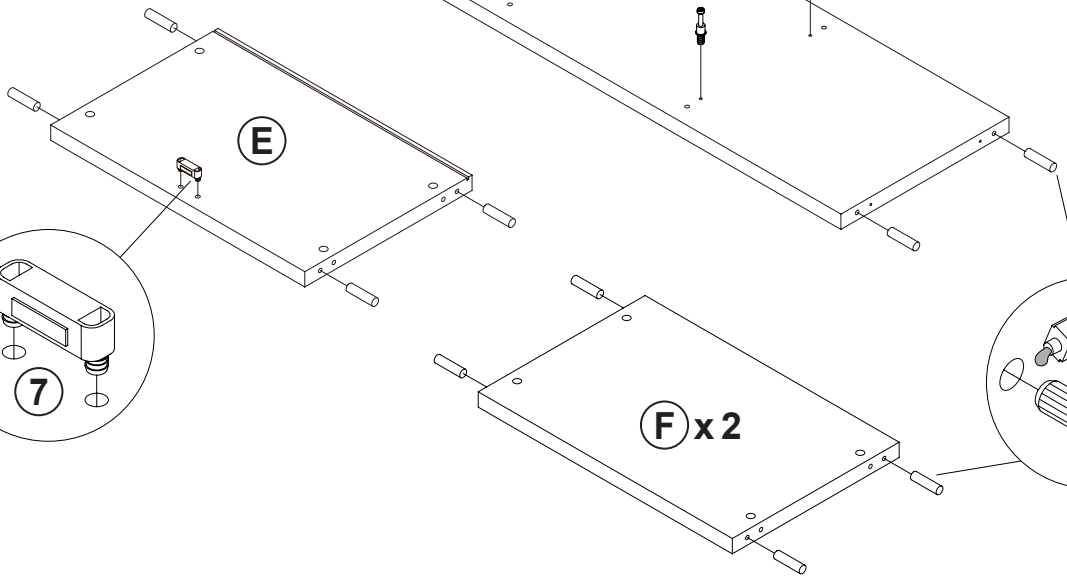
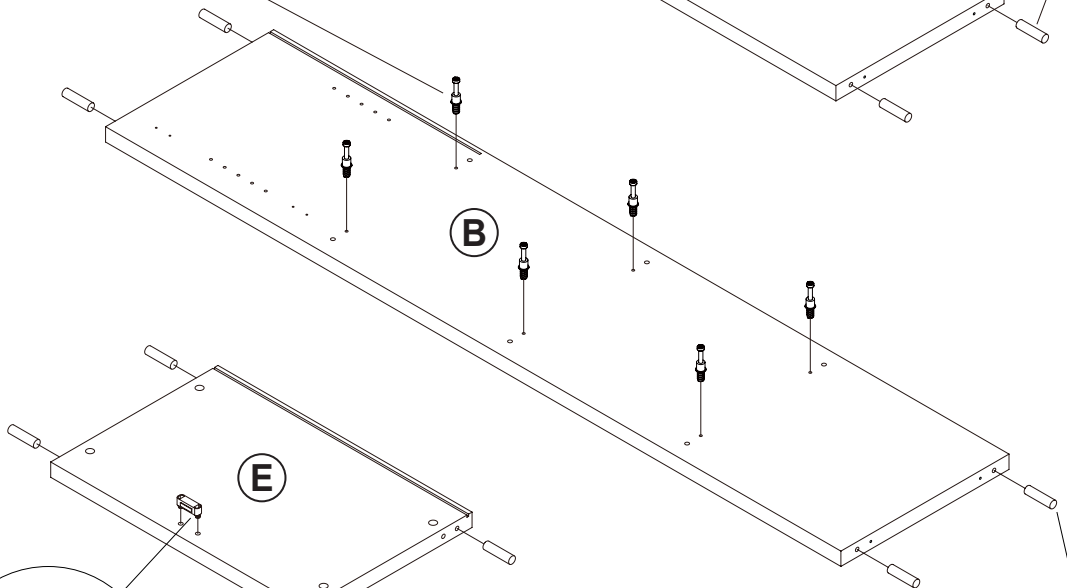
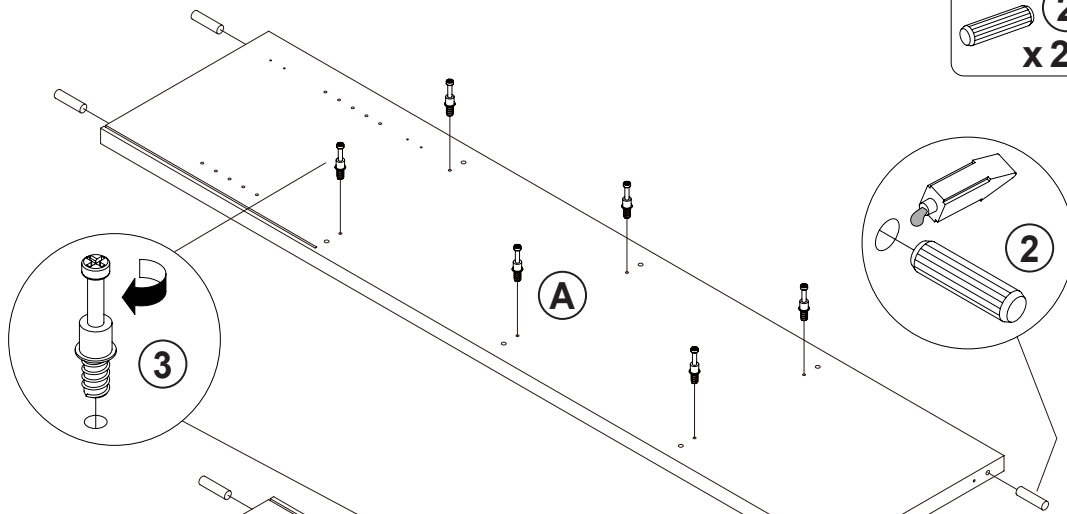
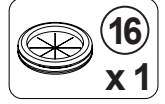
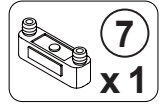
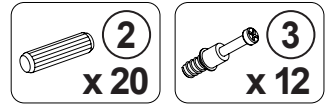
NOTE:

Phillips head screw driver is required in the assembly process; however, manufacturer does not provide this item.

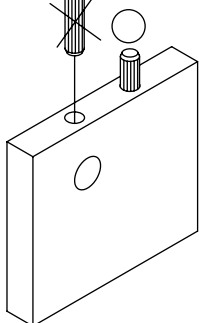
ITEM: 701703

COASTER
FINE FURNITURE

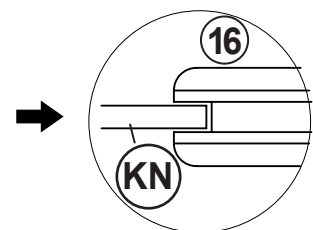
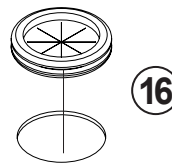
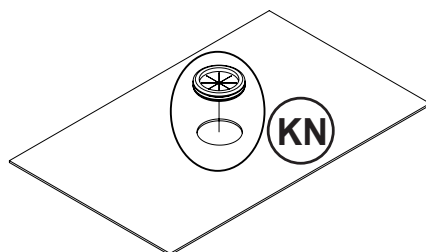
STEP 1



INCORRECT
CORRECT



Apply glue on all wooden dowels to ensure integrity of the structure.

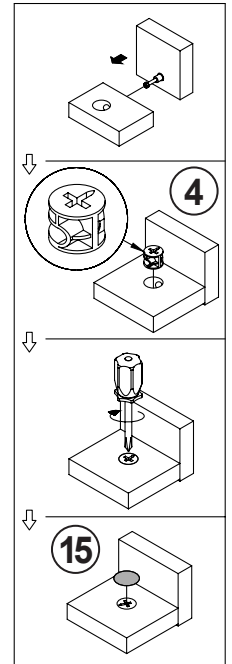
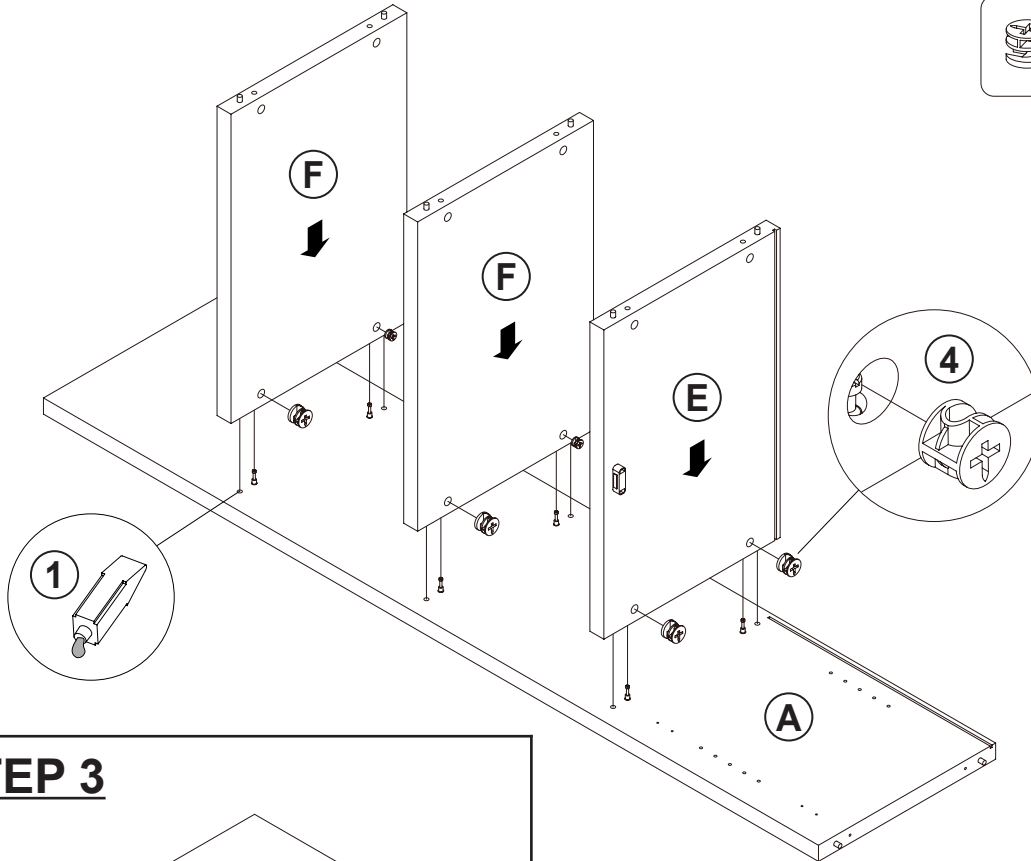
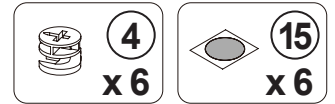


Section

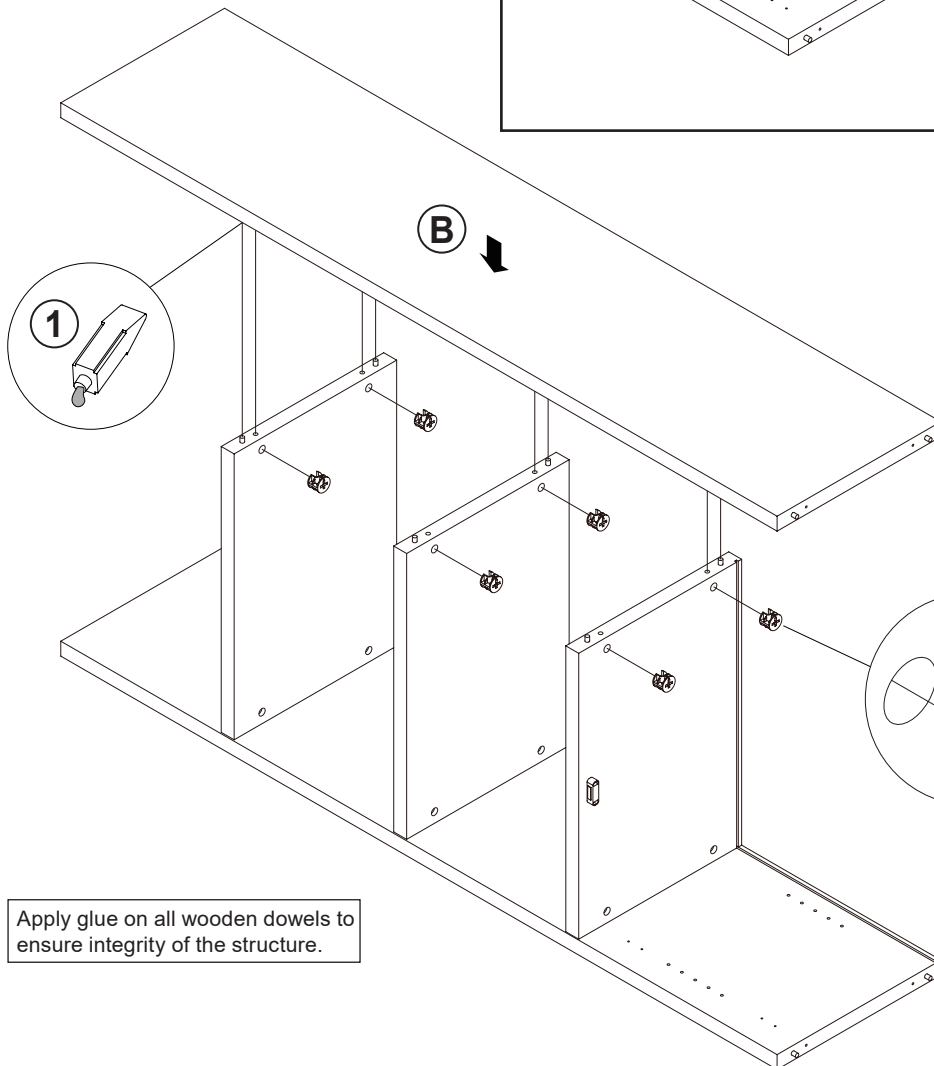
ITEM: 701703

COASTER
FINE FURNITURE

STEP 2



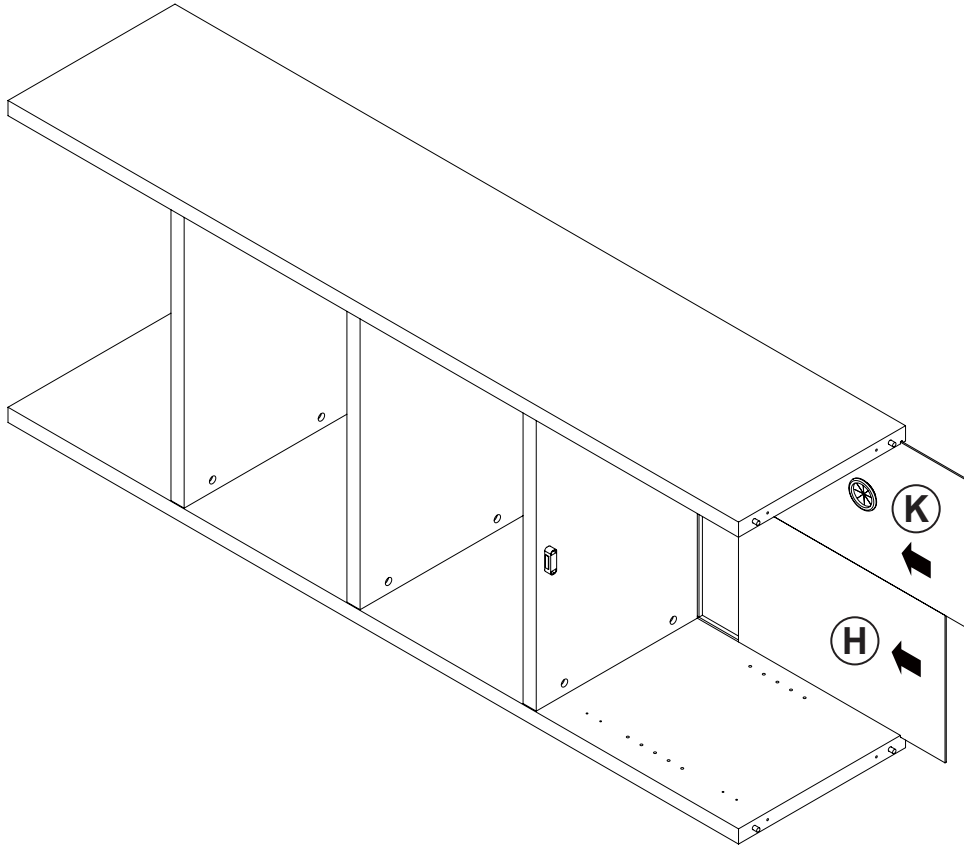
STEP 3



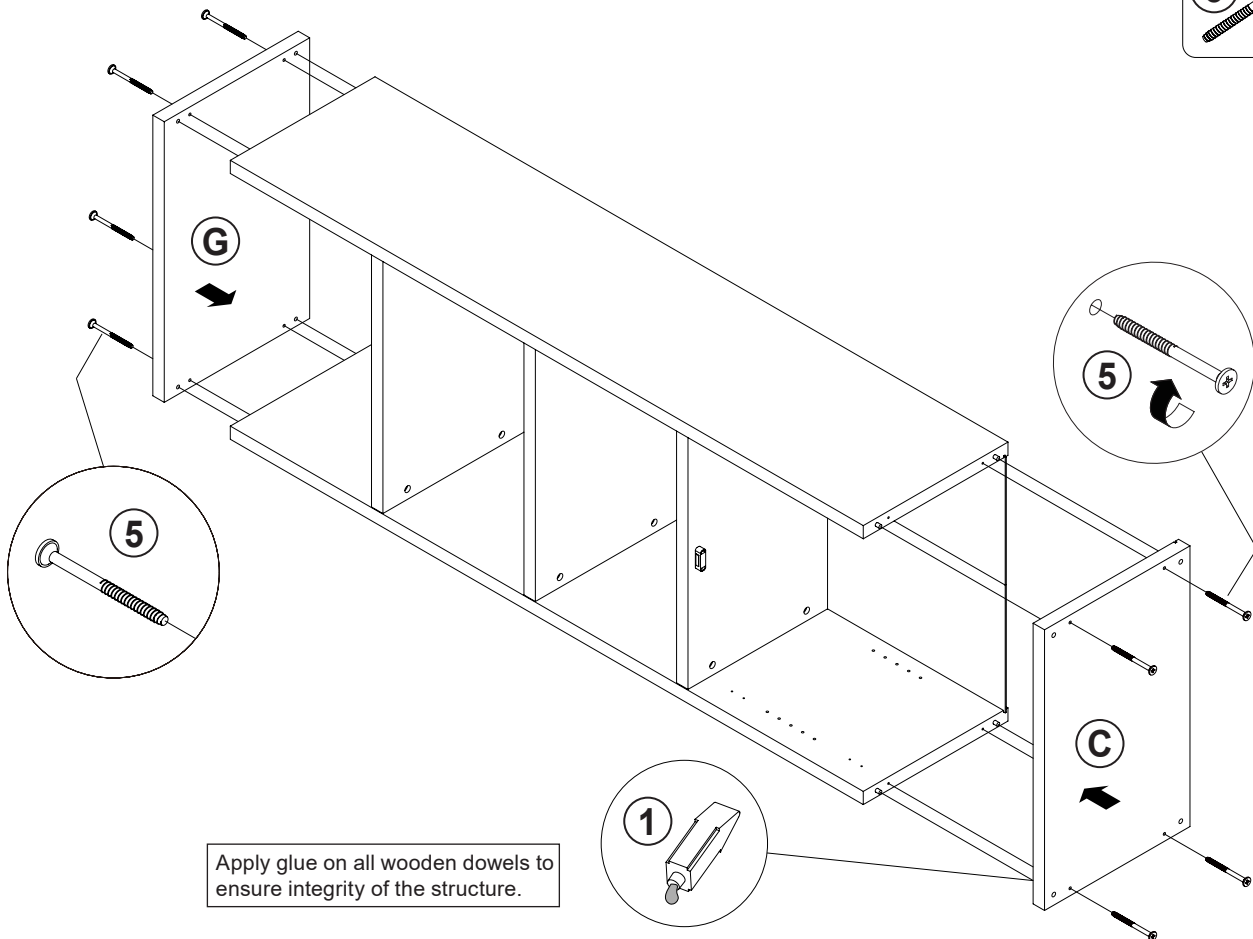
Apply glue on all wooden dowels to ensure integrity of the structure.

ITEM: 701703

STEP 4



STEP 5

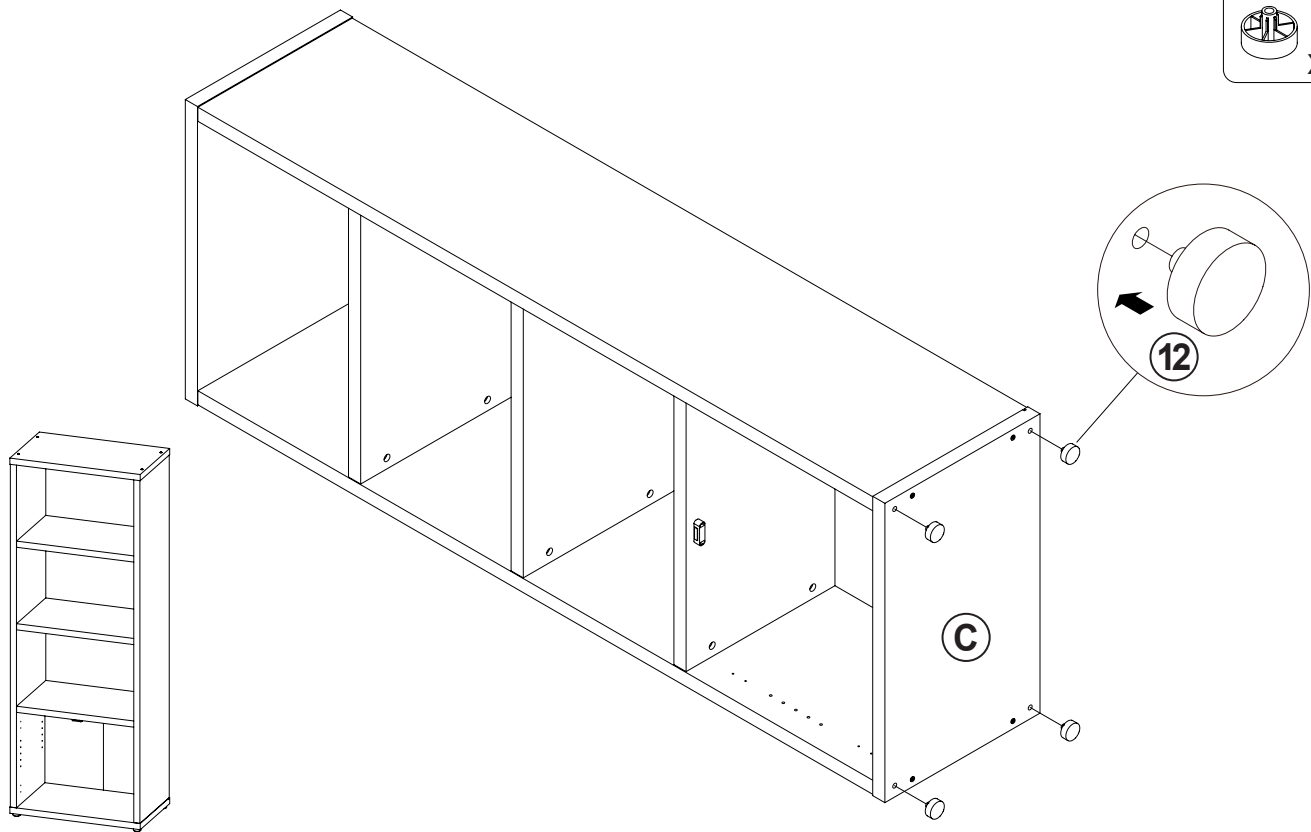
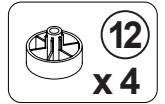


Apply glue on all wooden dowels to ensure integrity of the structure.

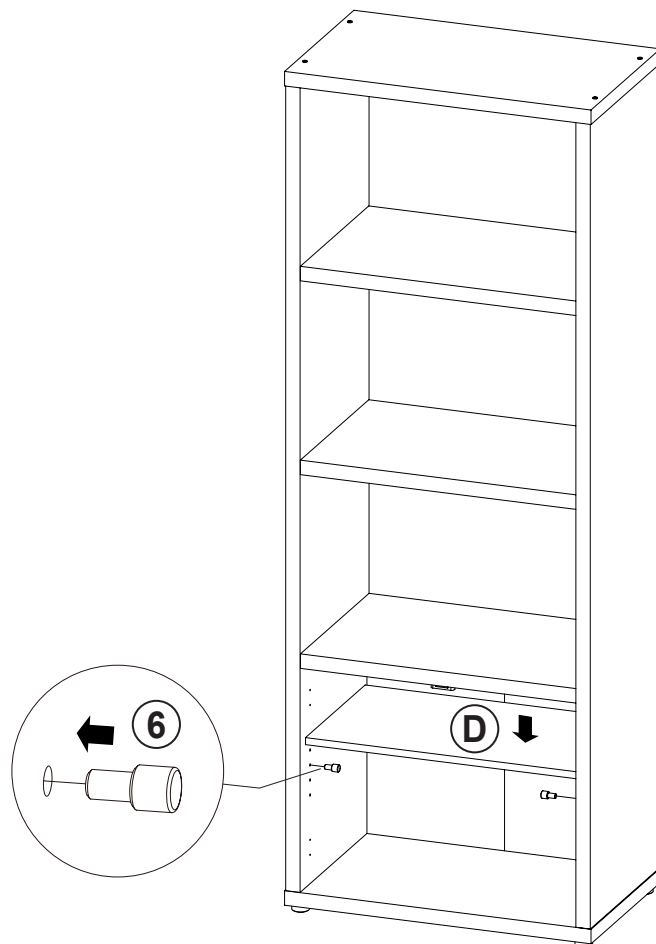
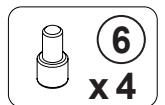
ITEM: 701703

COASTER
FINE FURNITURE

STEP 6



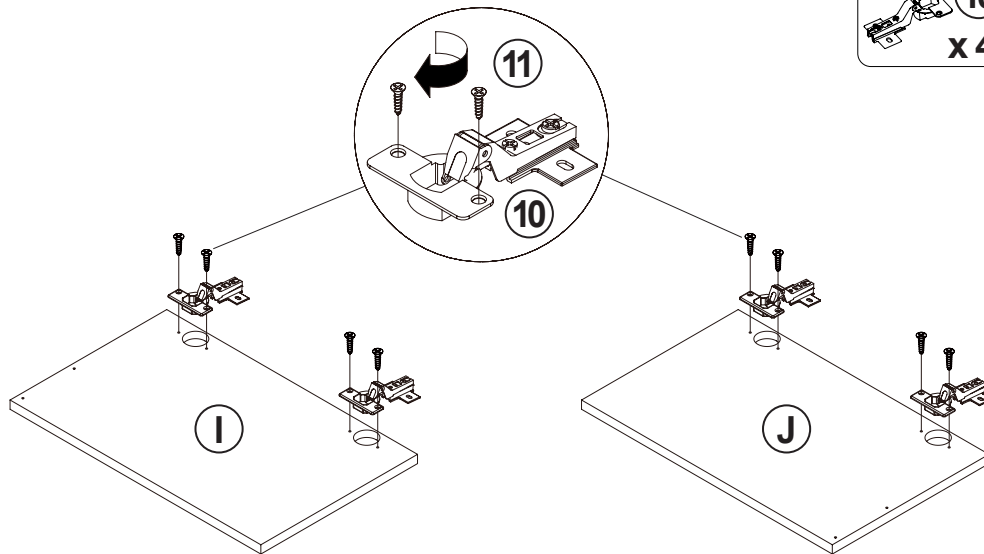
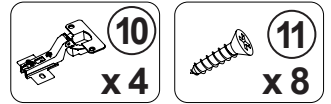
STEP 7



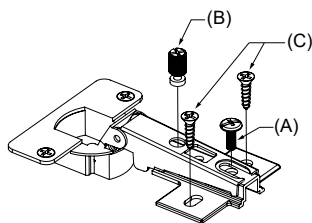
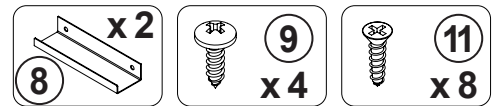
ITEM: 701703

COASTER
FINE FURNITURE

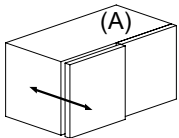
STEP 8



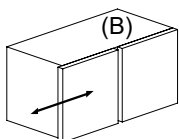
STEP 9



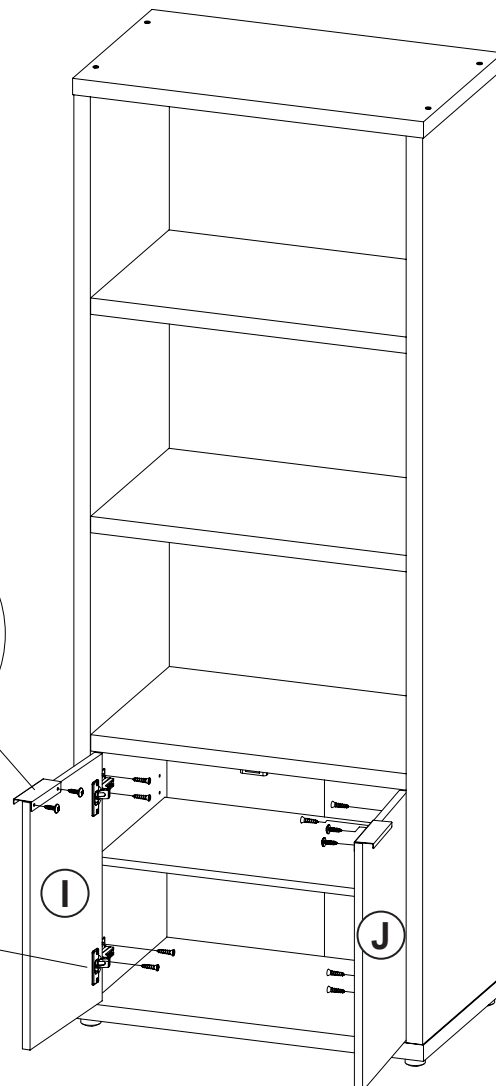
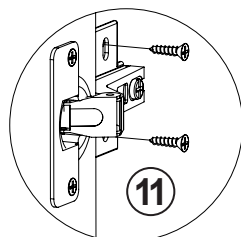
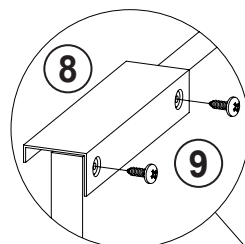
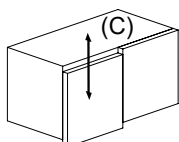
HORIZONTAL BY
SCREW A ADJUSTMENT



LATERAL BY
SCREW B ADJUSTMENT



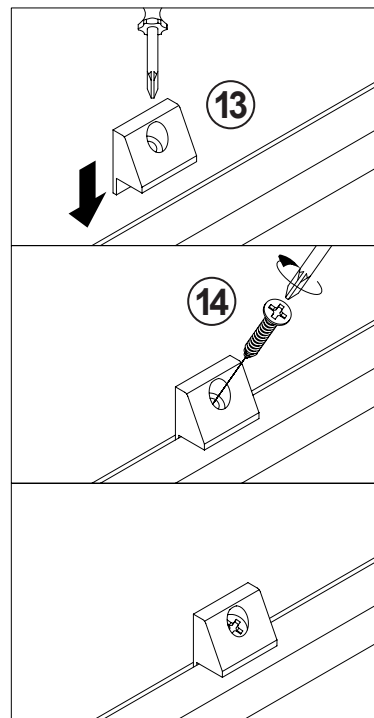
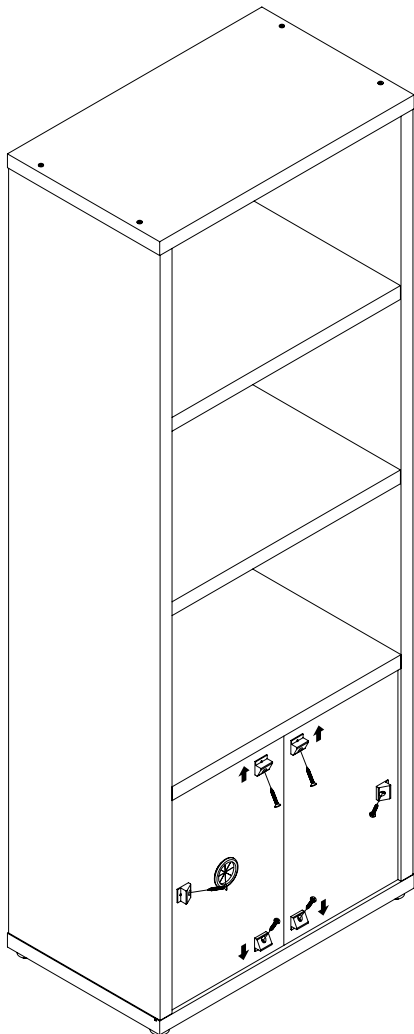
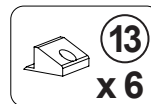
VERTICAL BY
SCREW C ADJUSTMENT



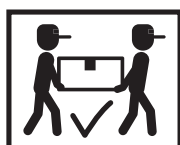
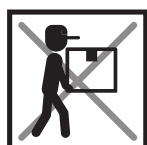
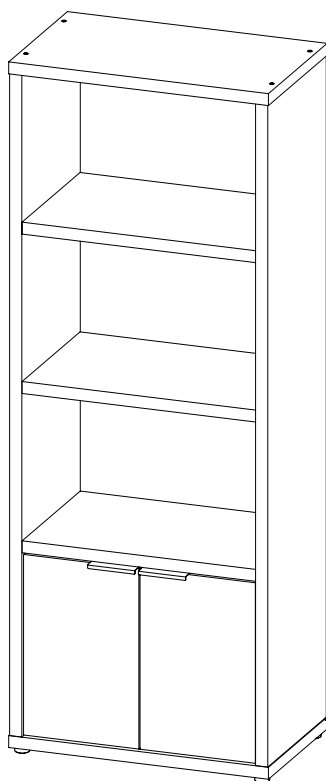
ITEM: 701703

STEP 10

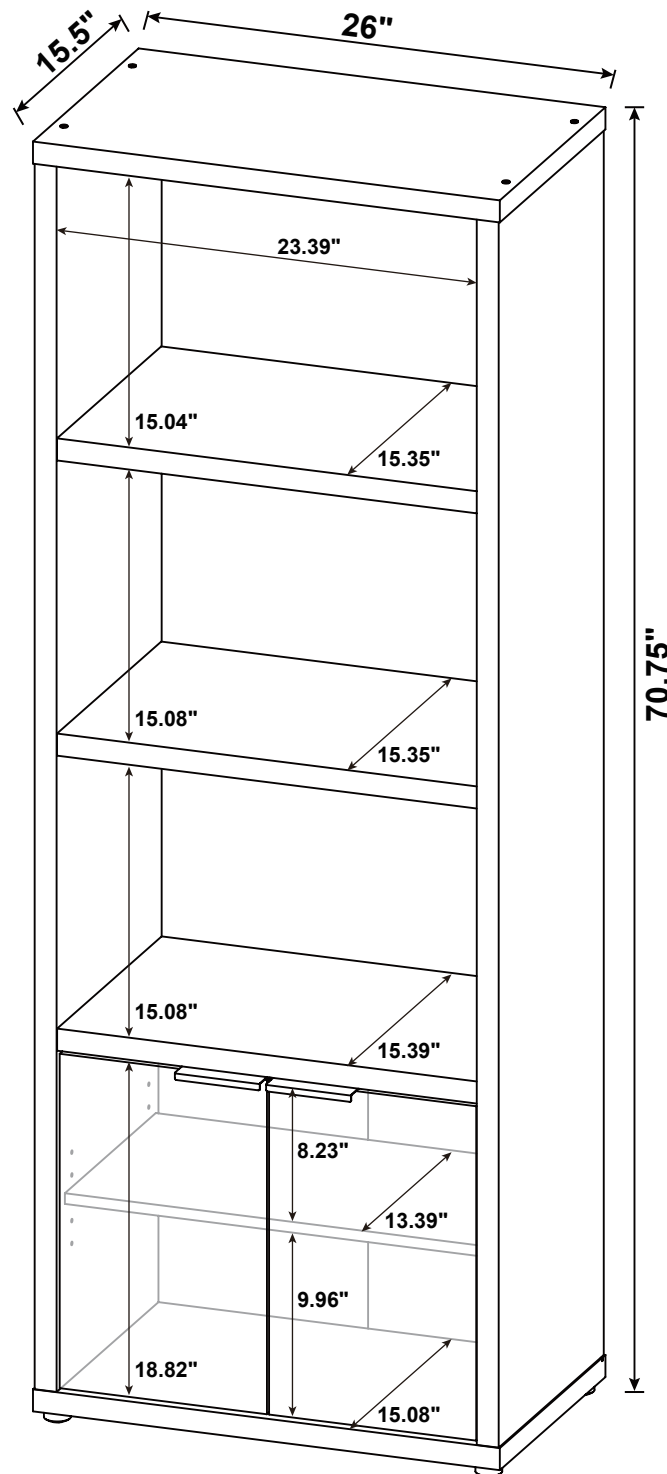
COASTER
FINE FURNITURE



STEP 11



ITEM: 701703



Note : Dimension tolerance $\pm 5\%$

ANTI-TIPPING INSTALLMENT INSTRUCTIONS FURNITURE TIPPING RESTRAINT

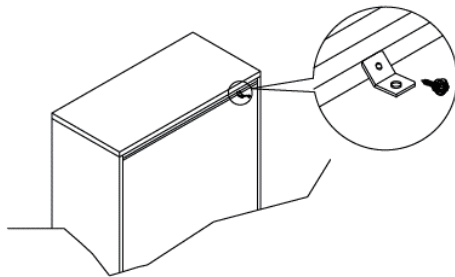
WARNING

Injury may result from tipping furniture.
This restraint may protect against tipping furniture.
Do not allow children to climb on furniture.
This restraint is not a substitute for proper adult supervision.
Failure to detach this restraint before moving the furniture may result in injury and damage.

This restraint must be screwed to a wood stud on the wall, using the long screw provided.

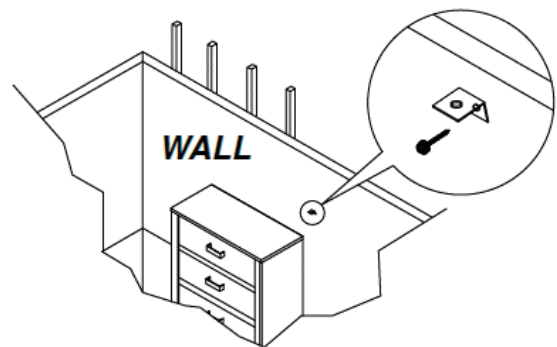
STEP 1

Secure the bracket to the back top of the unit, using the short screw provided, as shown in the drawing.



STEP 2

Locate the wood stud on the wall, and secure the other bracket, 2 inches below the back of the unit.



STEP 3

Place the furniture into position so both mounting brackets are vertically in line. Lace the end of the restraint strap through the larger hole in each mounting bracket. Bring both ends together and slide the flat end through the locking end, and drag it through, until the slack is removed. Ensure that the strap is securely laced and locked.

