

ASSEMBLY INSTRUCTIONS
COASTER FINE FURNITURE



Fine Furniture for every stage of life

724124
MEDIA TOWER

ITEM: 724124



ASSEMBLY INSTRUCTIONS

ASSEMBLY TIPS:

1. Remove hardware from box and sort by size.
2. Please check to see that all hardware and parts are present prior to start of assembly.
3. Please follow attached instructions in the same sequence as numbered to assure fast & easy assembly.



WARNING!

1. Don't attempt to repair or modify parts that are broken or defective. Please contact the store immediately.
2. This product is for home use only and not intended for commercial establishments.



ASSEMBLY TIME

60 MINUTES

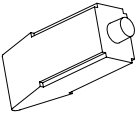
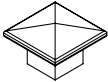
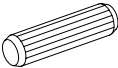

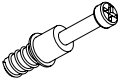
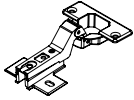


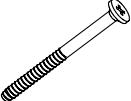
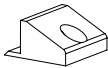
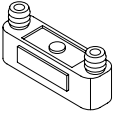

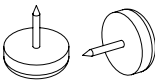
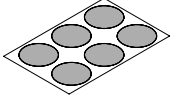
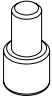

PARTS IDENTIFICATION

A	LEFT SIDE PANEL		1 PC	G	ADJUSTABLE SHELF		1 PC
B	RIGHT SIDE PANEL		1 PC	H	FRONT TOP AND BOTTOM CROSSBAR		2 PCS
C	BOTTOM PANEL		1 PC	I	BACK CROSS BRACE		1 PC
D	LOWER CROSS PANEL		1 PC	JN	LOWER BACK PANEL		1 PC
E	UPPER CROSS PANEL		2 PCS	K	UPPER BACK PANEL		3 PCS
F	TOP PANEL		1 PC	L	DOOR		1 PC

NOTE:

Phillips head screw driver is required in the assembly process; however, manufacturer does not provide this item.

HARDWARE IDENTIFICATION

Z							
NO	DESCRIPTION	FIGURE	Q'TY	NO	DESCRIPTION	FIGURE	Q'TY
1	GLUE 40g		1 PC	9	HANDLE BLK		1 PC
2	WOODEN DOWEL Ø8x30mm		35 PCS	10	HANDLE BOLT BLK		1 PC
3	CAM BOLT Ø7x35.5mm SR		16 PCS	11	HINGE Ø35mm SR		2 PCS
4	CAM LOCK Ø15x12mm SR		16 PCS	12	HINGE SCREW Ø4x15mm SR		8 PCS
5	BOLT Ø9.5x55mm SR		4 PCS	13	FIXER		6 PCS
6	DOOR CATCH		1 PC	14	FIXER SCREW Ø3x19mm SR		6 PCS
7	PLASTIC FEET Ø15mm		4 PCS	15	STICKER Ø20mm		3 PCS
8	PIN FOR ADJUSTABLE SHELF Ø4.9x15mm SR		4 PCS	16	PLASTIC COVER Ø 52mm		1 PC

Z11 not included in blister packaging.

NOTE:

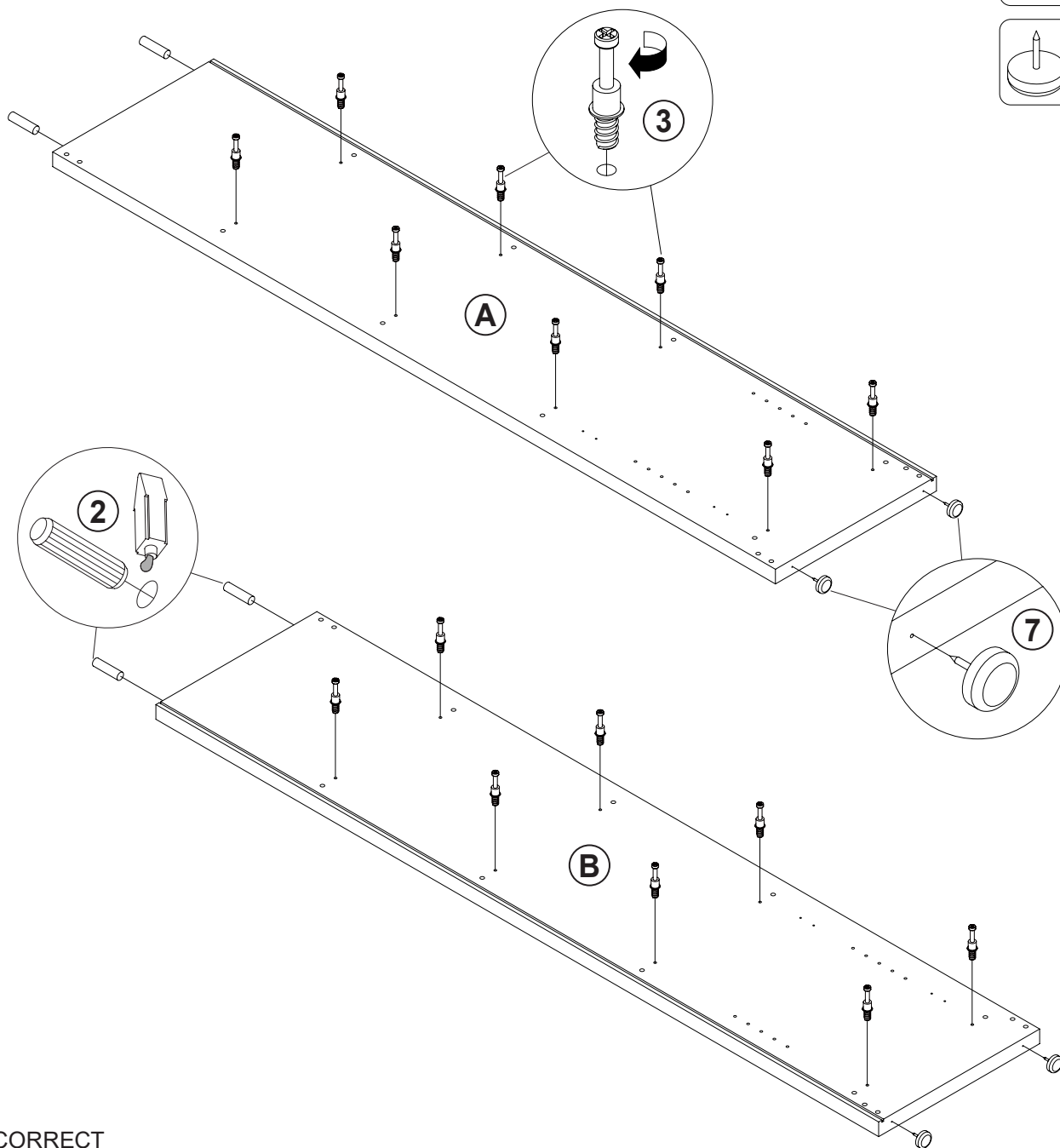
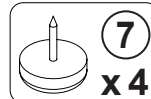
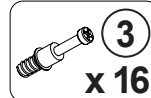
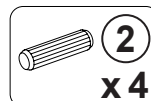
Phillips head screw driver is required in the assembly process; however, manufacturer does not provide this item.

ITEM: 724124

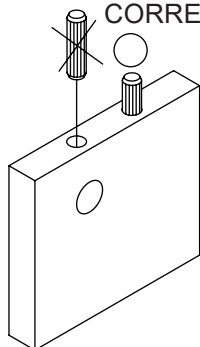
COASTER®

FINE FURNITURE

STEP 1



INCORRECT
CORRECT

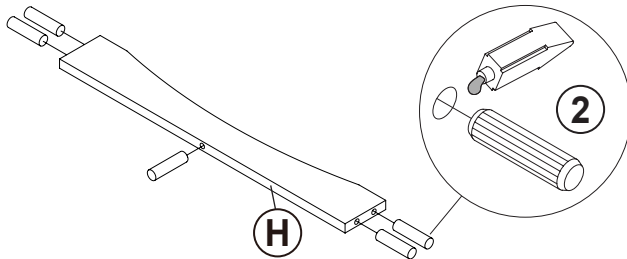
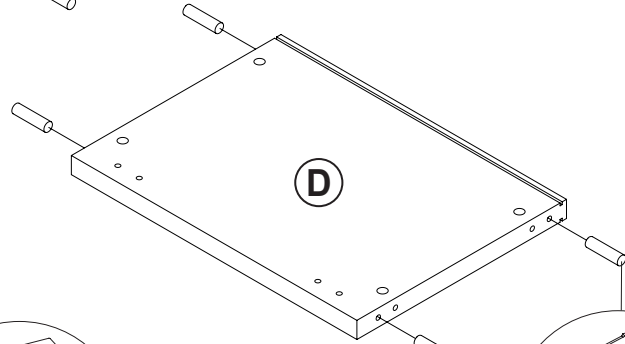
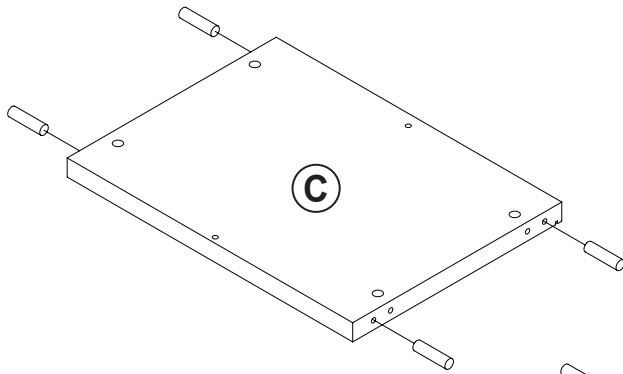
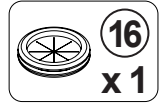
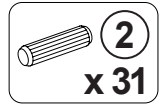


Apply glue on all wooden dowels to ensure integrity of the structure.

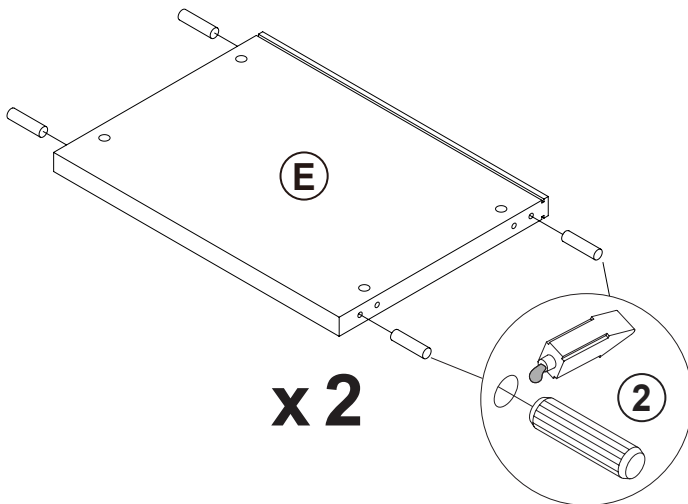
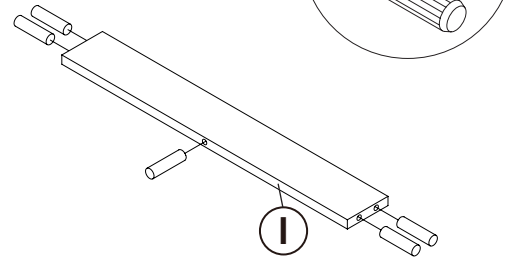
ITEM: 724124

COASTER
FINE FURNITURE

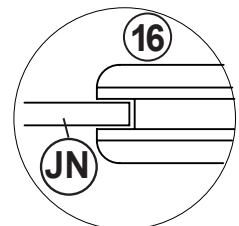
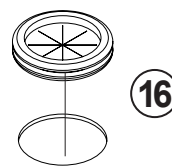
STEP 2



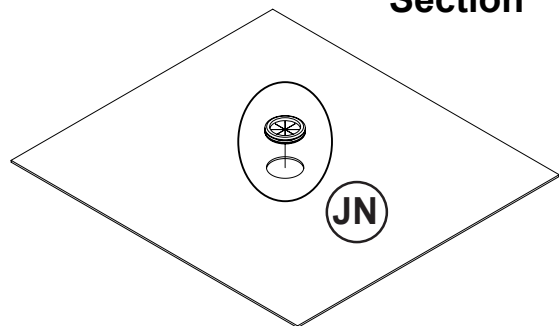
x 2



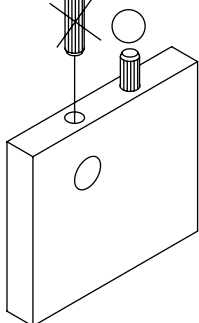
x 2



Section

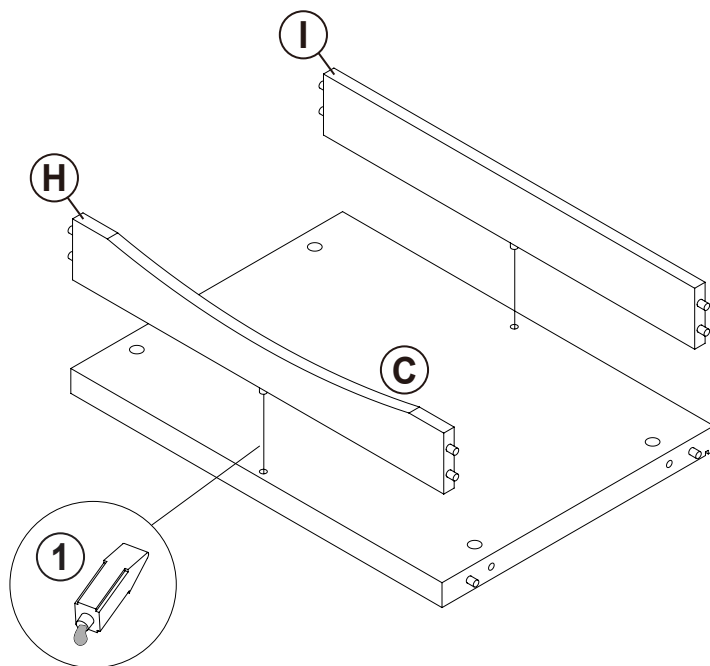


INCORRECT
CORRECT



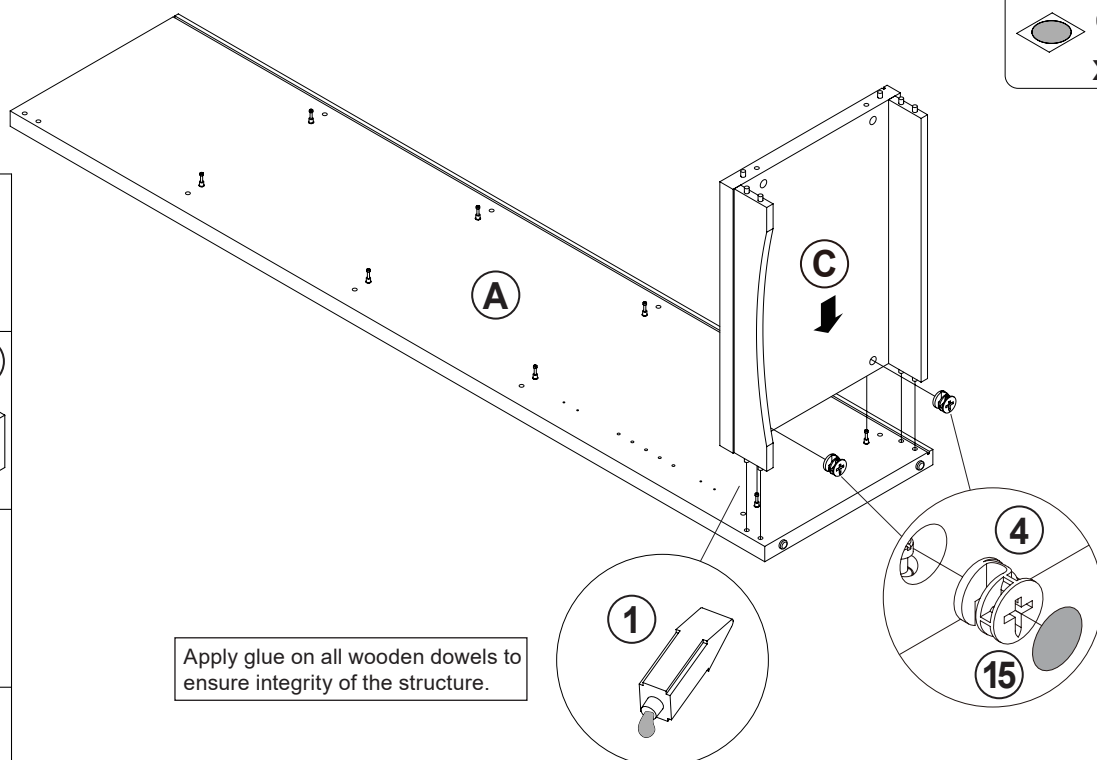
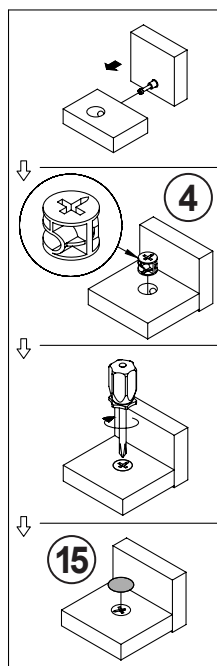
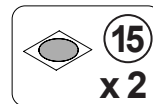
Apply glue on all wooden dowels to ensure integrity of the structure.

STEP 3



Apply glue on all wooden dowels to ensure integrity of the structure.

STEP 4



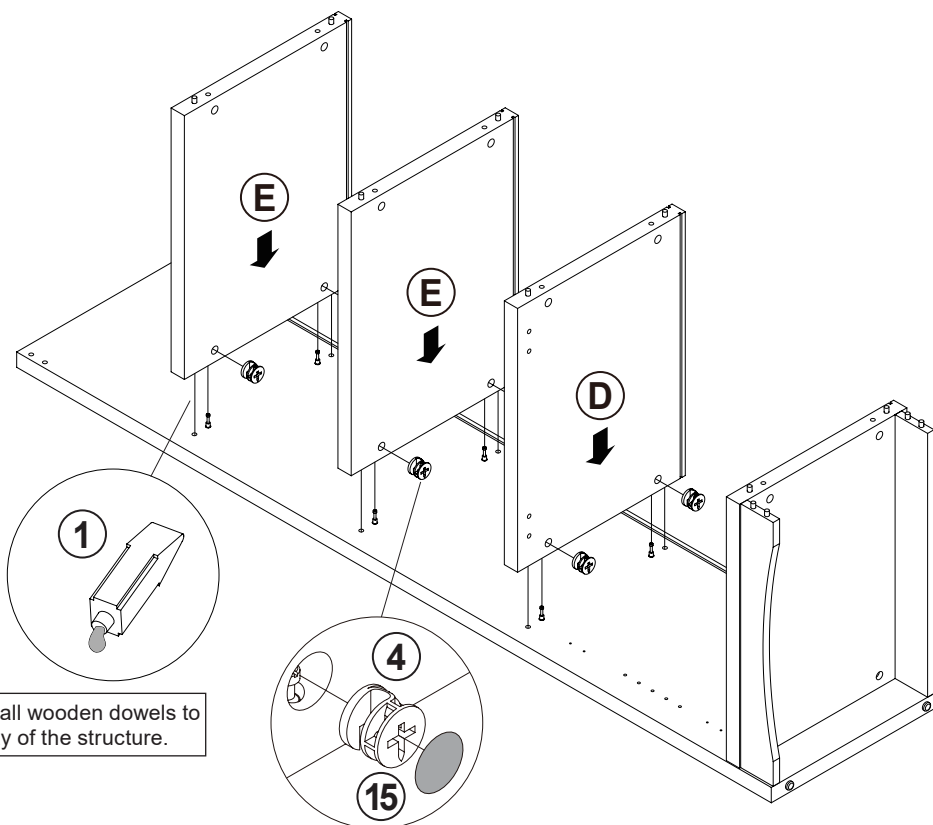
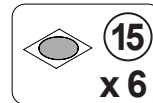
Apply glue on all wooden dowels to ensure integrity of the structure.

ITEM: 724124

COASTER[®]

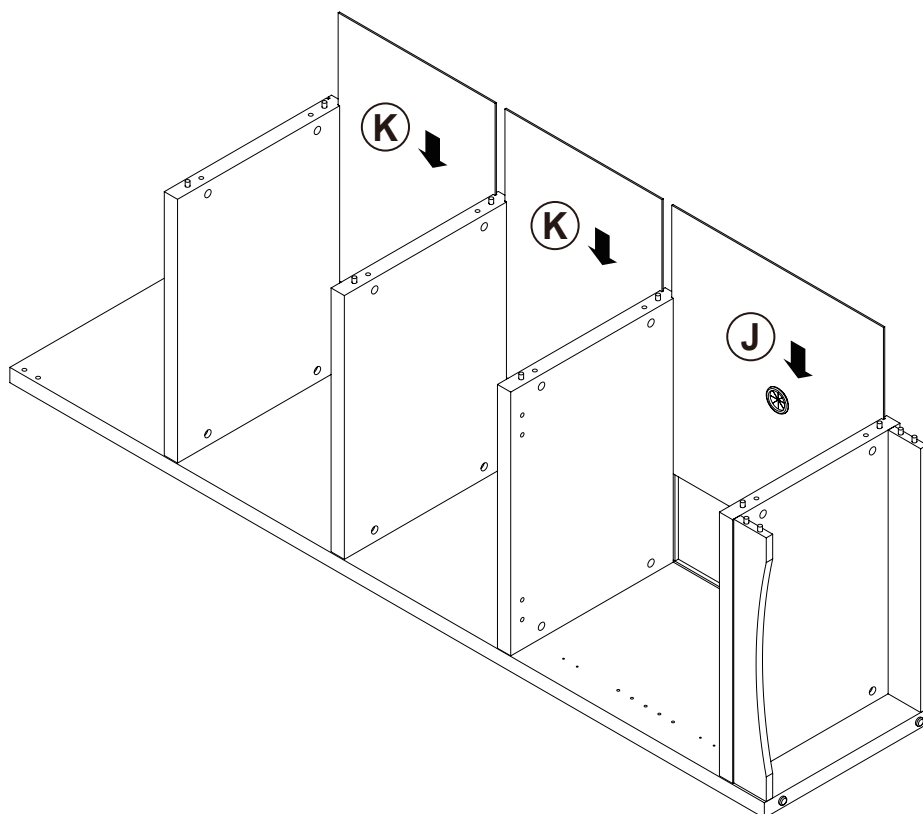
FINE FURNITURE

STEP 5



Apply glue on all wooden dowels to ensure integrity of the structure.

STEP 6

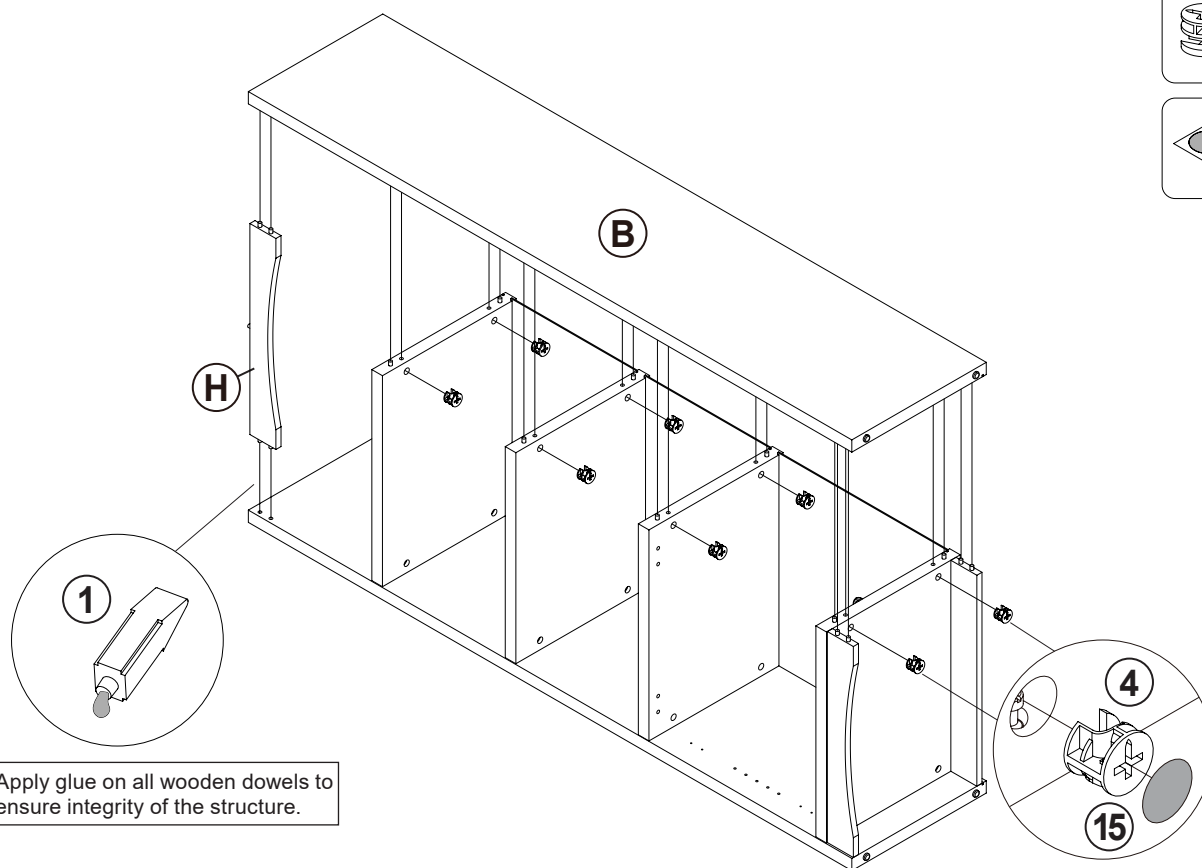
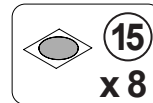


ITEM: 724124

COASTER[®]

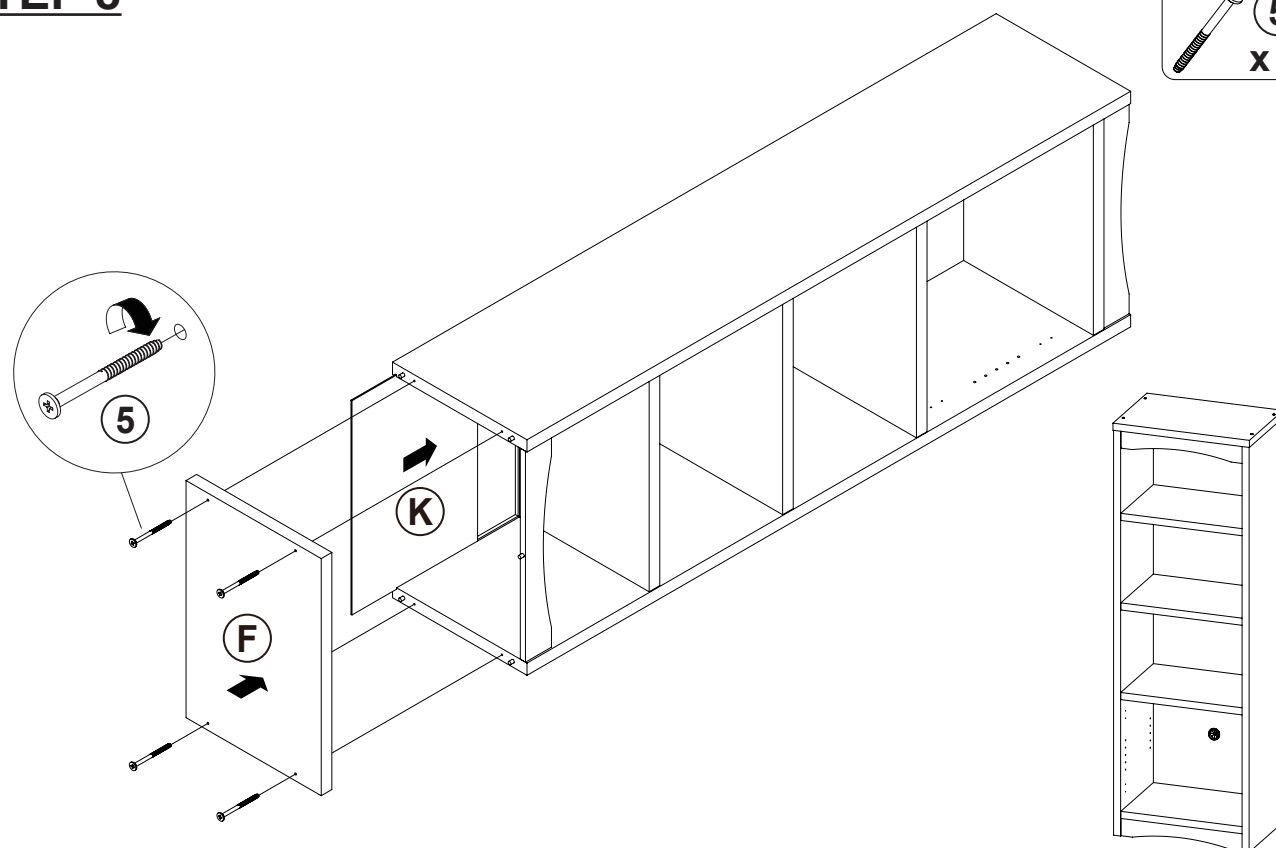
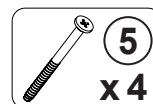
FINE FURNITURE

STEP 7



Apply glue on all wooden dowels to ensure integrity of the structure.

STEP 8

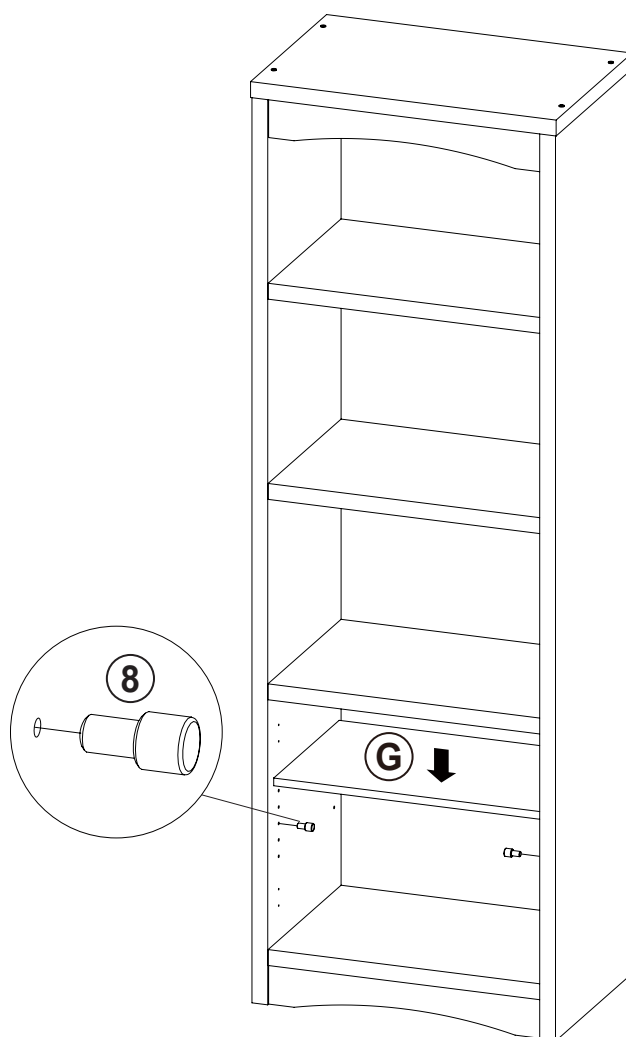
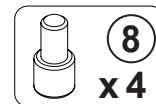


ITEM: 724124

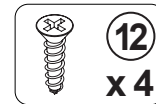
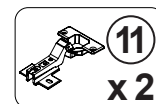
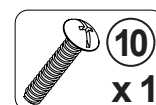
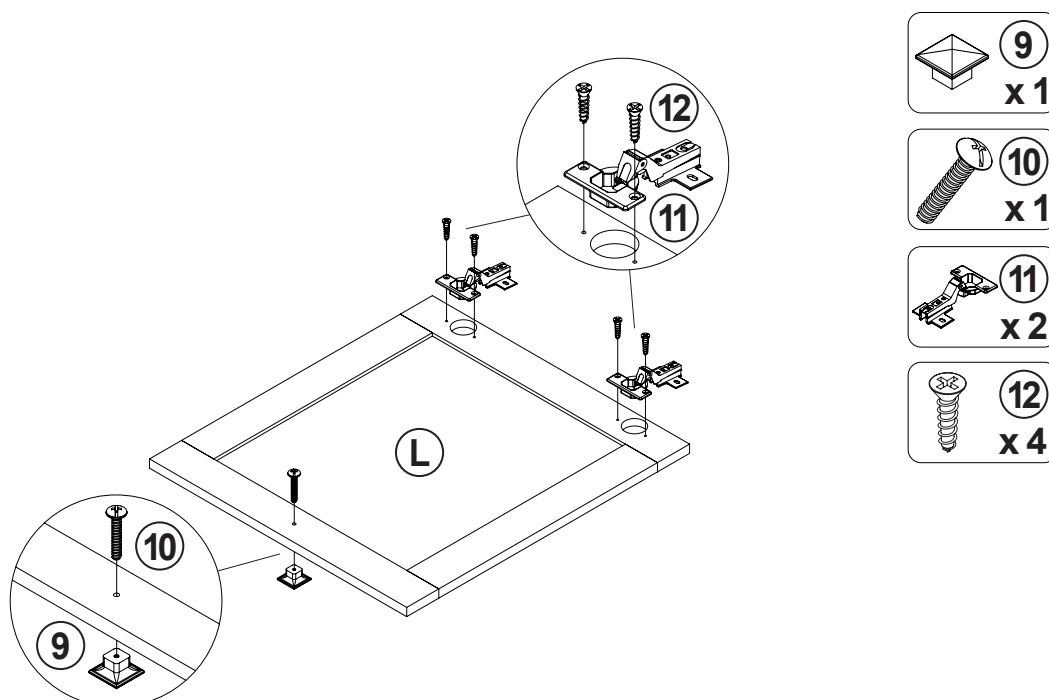
STEP 9

COASTER[®]

FINE FURNITURE



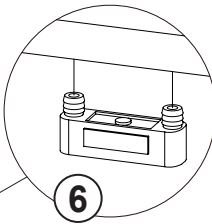
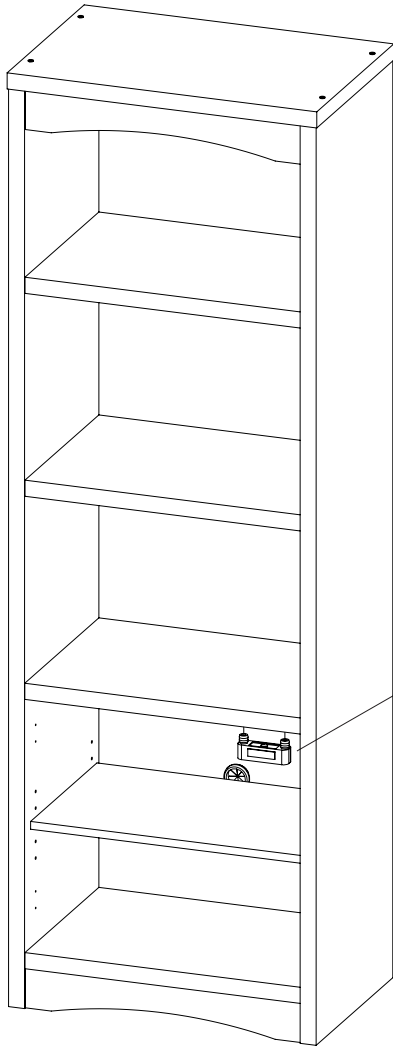
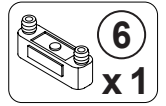
STEP 10



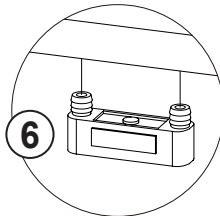
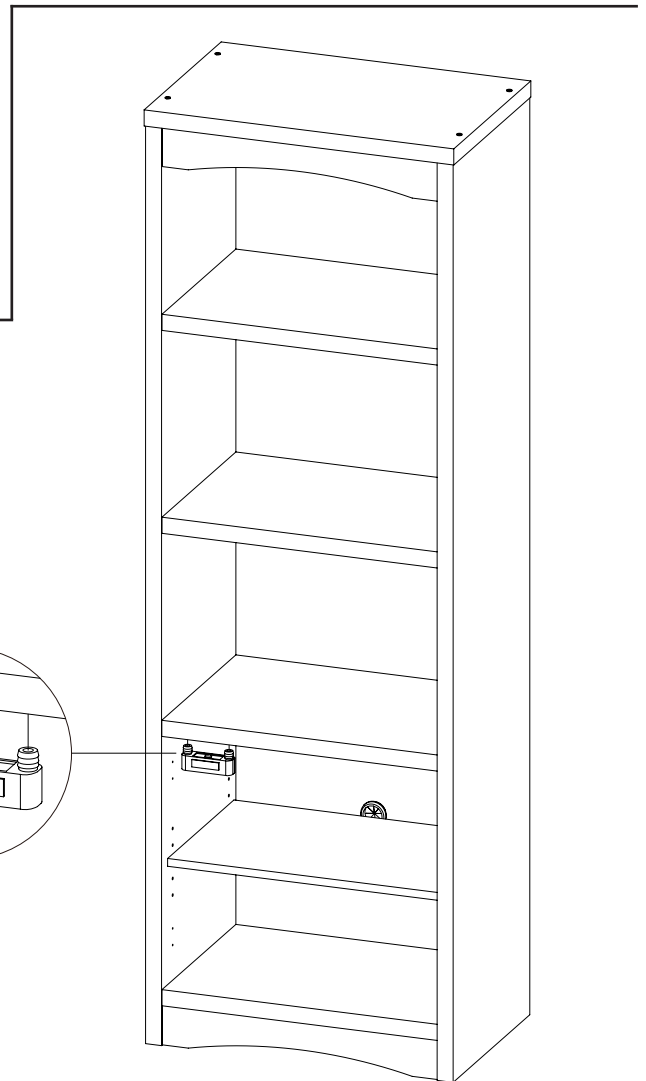
ITEM: 724124

STEP 11

LEFT



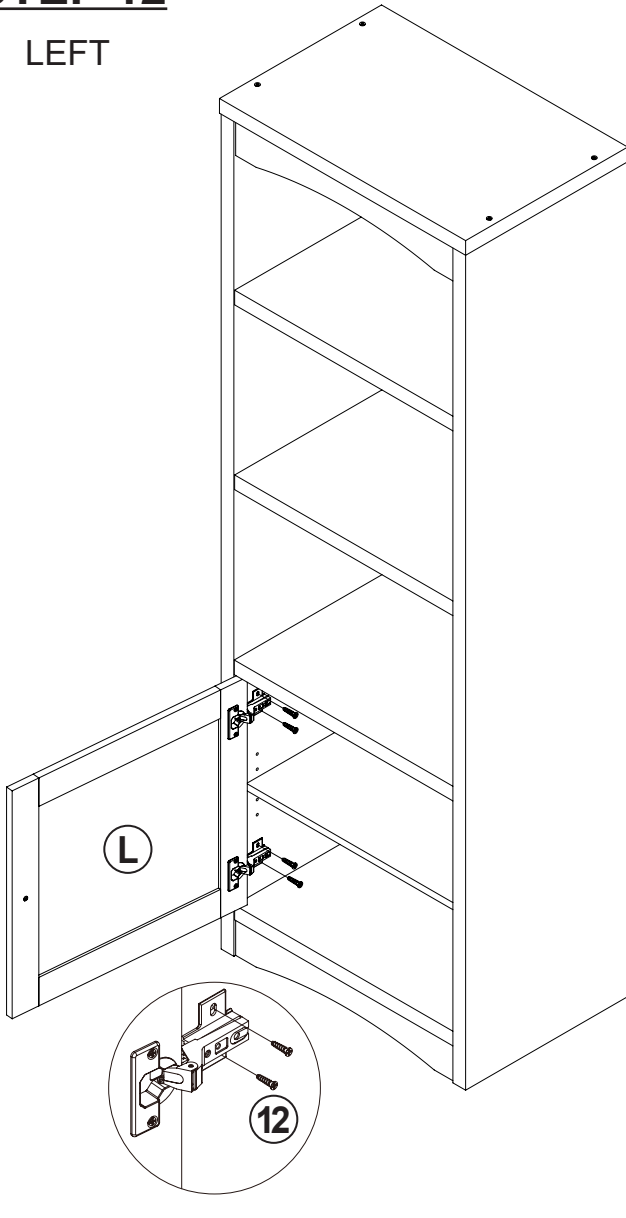
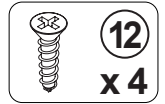
RIGHT



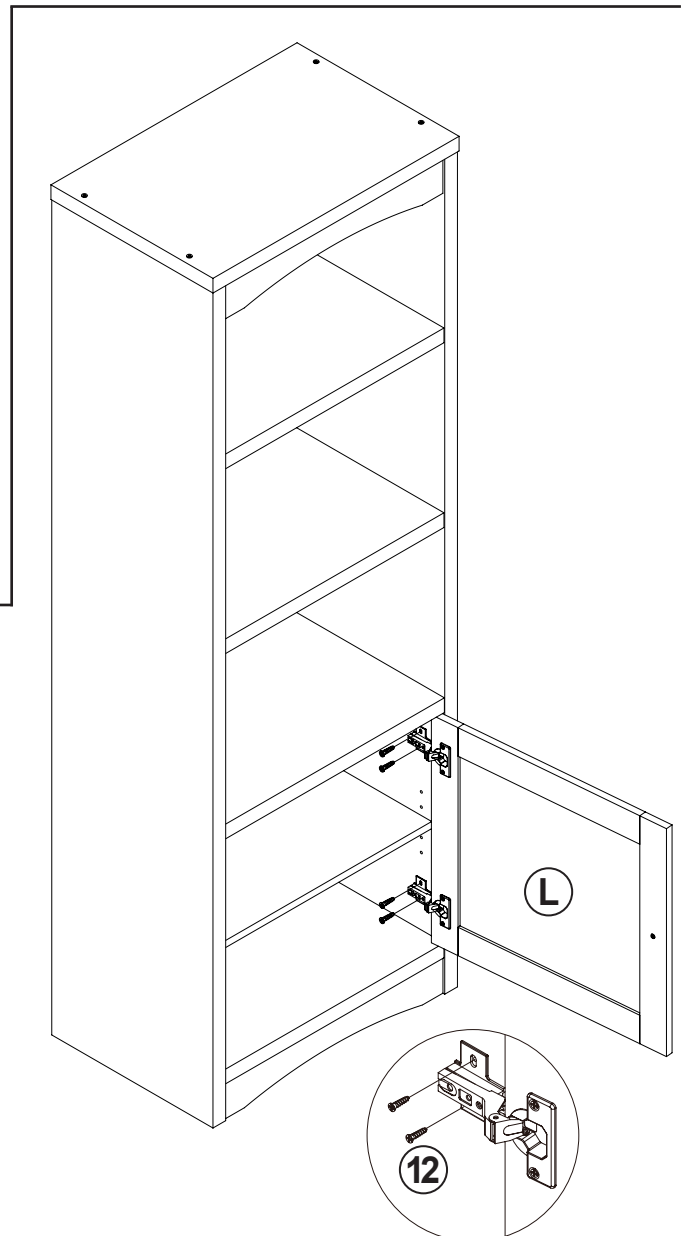
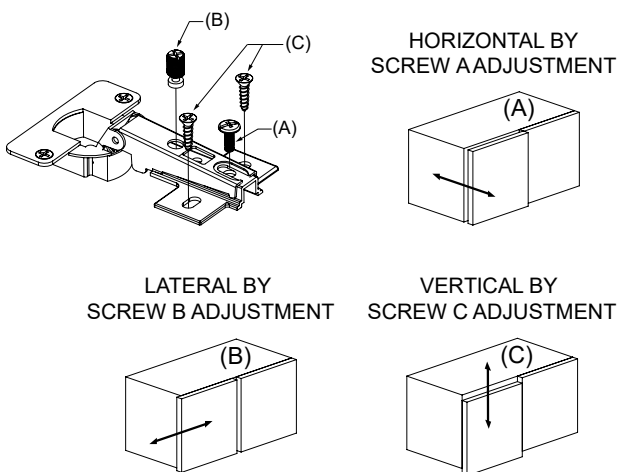
ITEM: 724124

STEP 12

LEFT

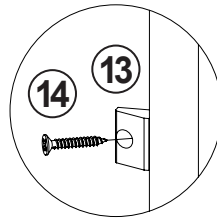
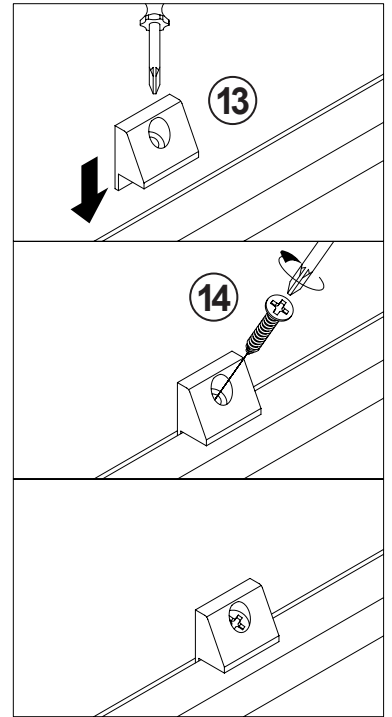
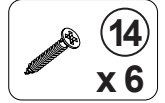
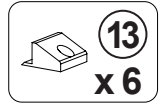
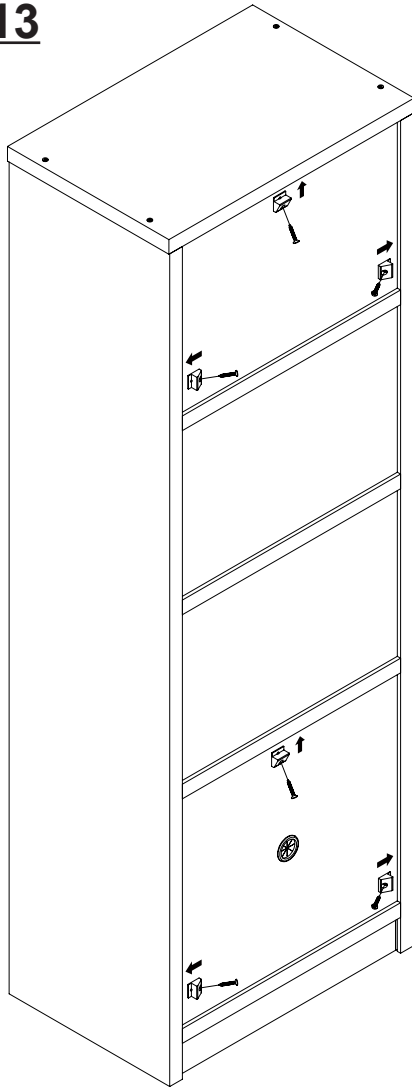


RIGHT



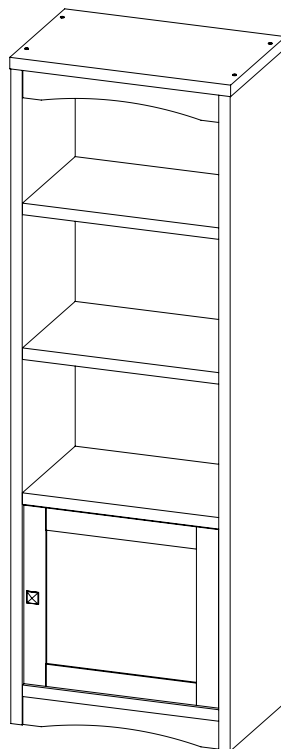
ITEM: 724124

STEP 13

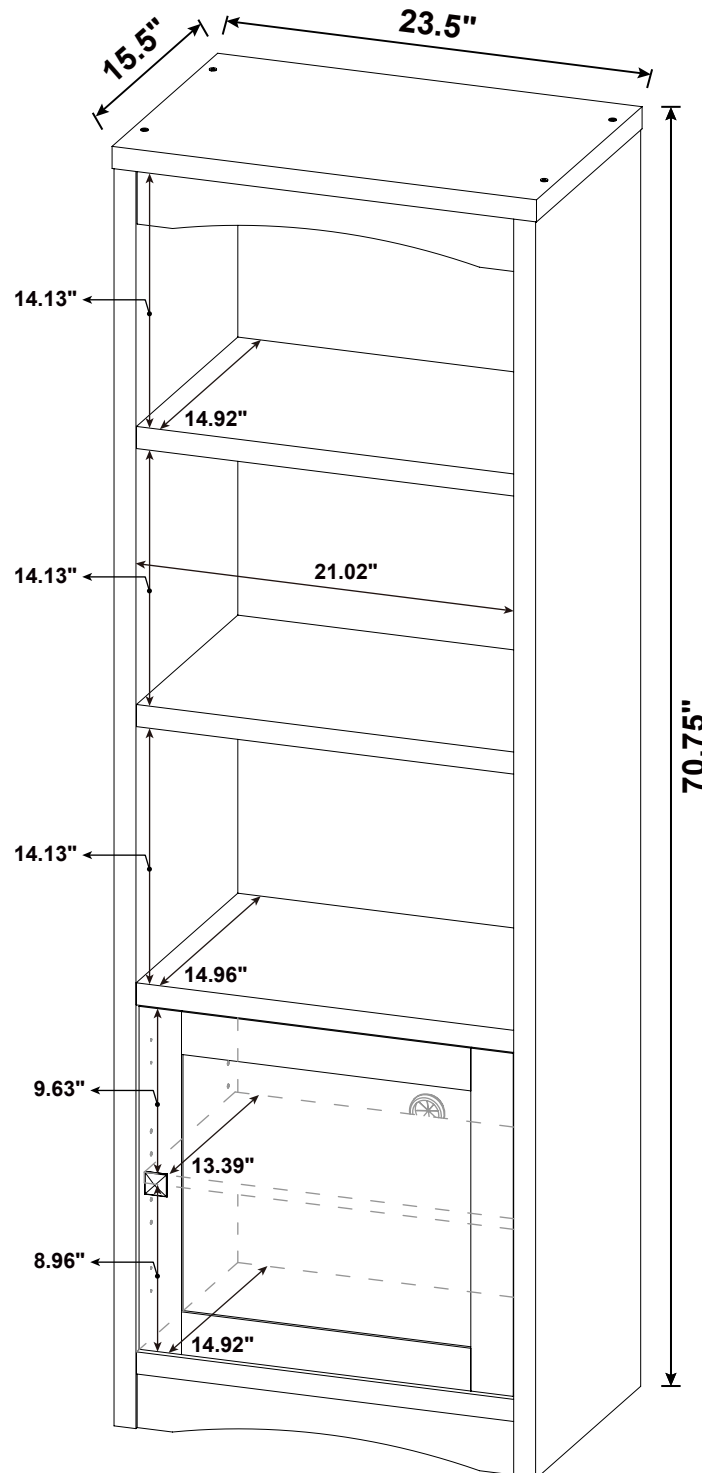


STEP 14

COMPLETE



ITEM: 724124



Note : Dimension tolerance $\pm 5\%$

ANTI-TIPPING INSTALLMENT INSTRUCTIONS FURNITURE TIPPING RESTRAINT

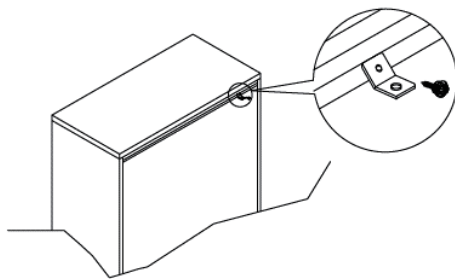
WARNING

Injury may result from tipping furniture.
This restraint may protect against tipping furniture.
Do not allow children to climb on furniture.
This restraint is not a substitute for proper adult supervision.
Failure to detach this restraint before moving the furniture may result in injury and damage.

This restraint must be screwed to a wood stud on the wall, using the long screw provided.

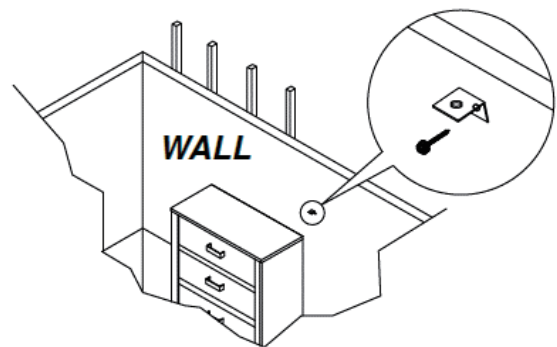
STEP 1

Secure the bracket to the back top of the unit, using the short screw provided, as shown in the drawing.



STEP 2

Locate the wood stud on the wall, and secure the other bracket, 2 inches below the back of the unit.



STEP 3

Place the furniture into position so both mounting brackets are vertically in line. Lace the end of the restraint strap through the larger hole in each mounting bracket. Bring both ends together and slide the flat end through the locking end, and drag it through, until the slack is removed. Ensure that the strap is securely laced and locked.

