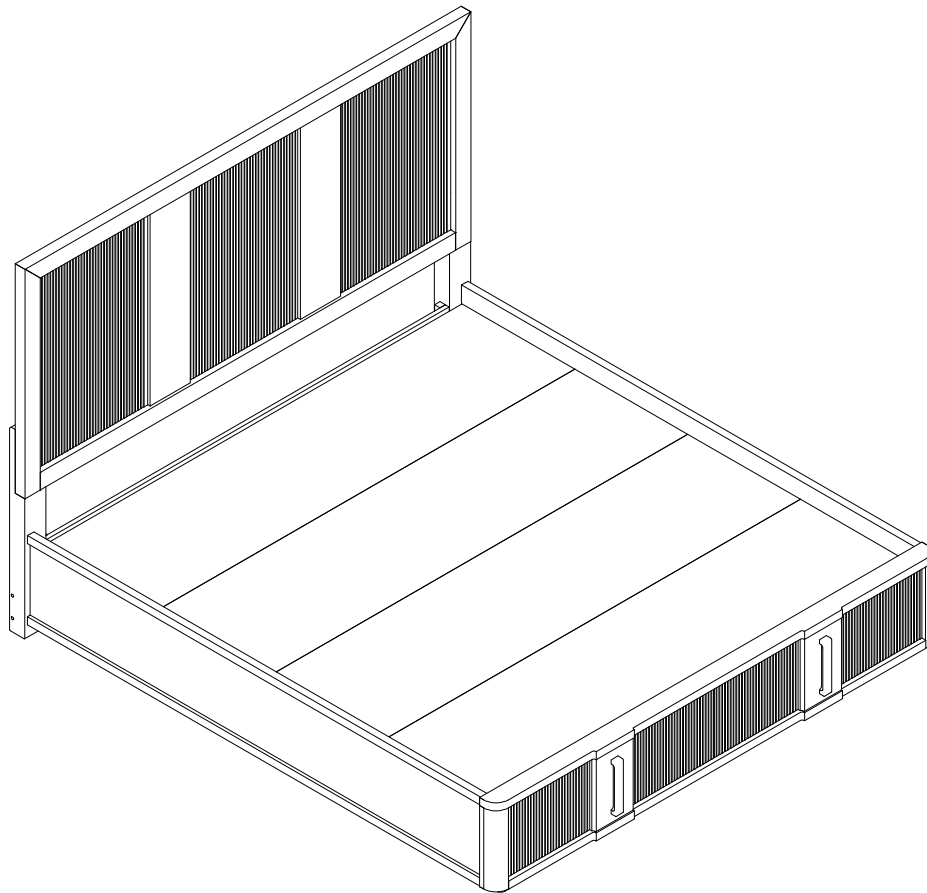




ASSEMBLY INSTRUCTIONS COASTER FINE FURNITURE



Fine Furniture for every stage of life

224900KE (B1-B3)
Eastern King Bed

ITEM: 224900KE(B1-B3)



ASSEMBLY INSTRUCTIONS

ASSEMBLY TIPS:

1. Remove hardware from box and sort by size.
2. Please check to see that all hardware and parts are present prior to start of assembly.
3. Please follow attached instructions in the same sequence as numbered to assure fast & easy assembly.



WARNING

1. Don't attempt to repair or modify parts that are broken or defective. Please contact the store immediately.
2. This product is for home use only and not intended for commercial establishments.



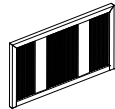
ASSEMBLY TIME

20 MINUTES

PARTS IDENTIFICATION

B1 (BOX 1)

A HEADBOARD PANEL



1PC

B LEFT HEADBOARD LEG



1PC

C RIGHT HEADBOARD LEG



1PC

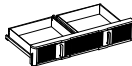
D HEADBOARD BOTTOM RAIL



1PC

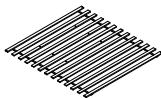
B2 (BOX 2)

E STORAGE FOOTBOARD



1PC

F ROLL SLAT (13PCS)



1SET

G CENTER RAIL SUPPORT WITH LEVELER



3PCS

H BED SLAT SUPPORT WITH LEVELER



6PCS

I CONCEAL PANEL



4PCS

B3 (BOX 3)

J BED RAIL



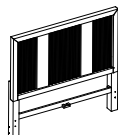
2PCS

K CENTER RAIL



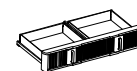
1PC

HB 224900KE (B1) FROM BOX 1 HEADBOARD COMPLETE



1PC

E 224900KE (B2) FROM BOX 2 FOOTBOARD



1PC

ITEM: 224900KE(B1-B3)



ASSEMBLY INSTRUCTIONS

ASSEMBLY TIPS:

- 1.Remove hardware from box and sort by size.
- 2.Please check to see that all hardware and parts are present prior to start of assembly.
- 3.Please follow attached instructions in the same sequence as numbered to assure fast & easy assembly.

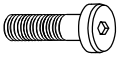





WARNING

- 1.Don't attempt to repair or modify parts that are broken or defective. Please contact the store immediately.
- 2.This product is for home use only and not intended for commercial establishments.

HARDWARE IDENTIFICATION

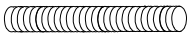
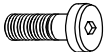




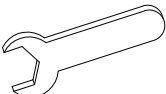

Z-B1 (BOX 1) - HARDWARE PACK IS LOCATED IN 224900KE (B1)

1	BOLT (5/16" x 38mm - RBW)		12PCS	3	FLAT WASHER (5/16" x 19 x 1.5mm - RBW)		12PCS
2	LOCK WASHER (5/16" - RBW)		12PCS	4	ALLEN WRENCH (74 x 30 x 4mm - RBW)		1PC

Z-B2 (BOX 2) - HARDWARE PACK IS LOCATED IN 224900KE (B2)

5	FLAT HEAD SCREW (4 x 32mm - RBW)		6PCS
---	--	---	------

Z-B3 (BOX 3) - HARDWARE PACK IS LOCATED IN 224900KE (B3)

6	THREADED BOLT (5/16" x 75mm - RBW)		8PCS	10	BOLT (1/4 x 25mm - RBW)		2PCS
7	U-SQUARE WASHER (25 x 15 x 2mm - RBW)		8PCS	11	LOCK WASHER (1/4" - RBW)		2PCS
8	HEX NUT (5/16" x 17mm - RBW)		8PCS	12	FLAT WASHER (1/4" x 19 x 1.5mm - RBW)		2PCS
9	WRENCH (13MM - RBW)		1PC	13	ALLEN WRENCH (74 x 30 x 4mm - RBW)		1PC

NOTE:

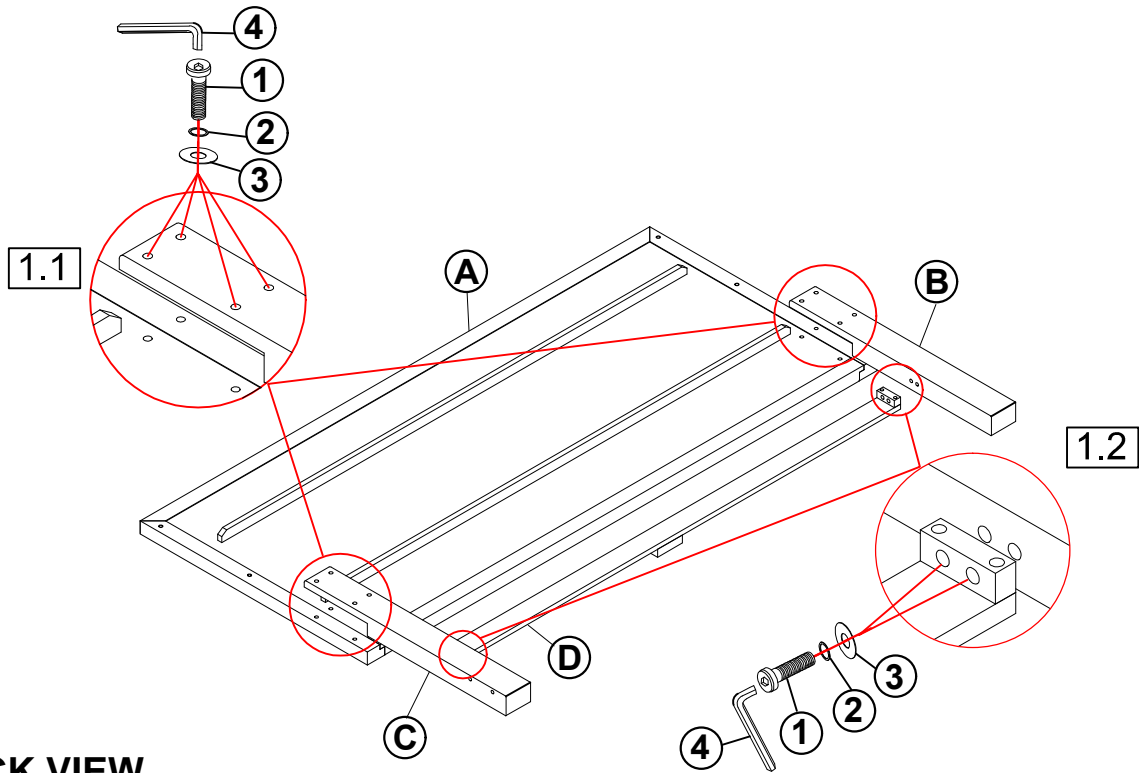
Phillips head screw driver is required in the assembly process; however, manufacturer does not provide this item.

ITEM: 224900KE(B1-B3)

ASSEMBLY INSTRUCTIONS

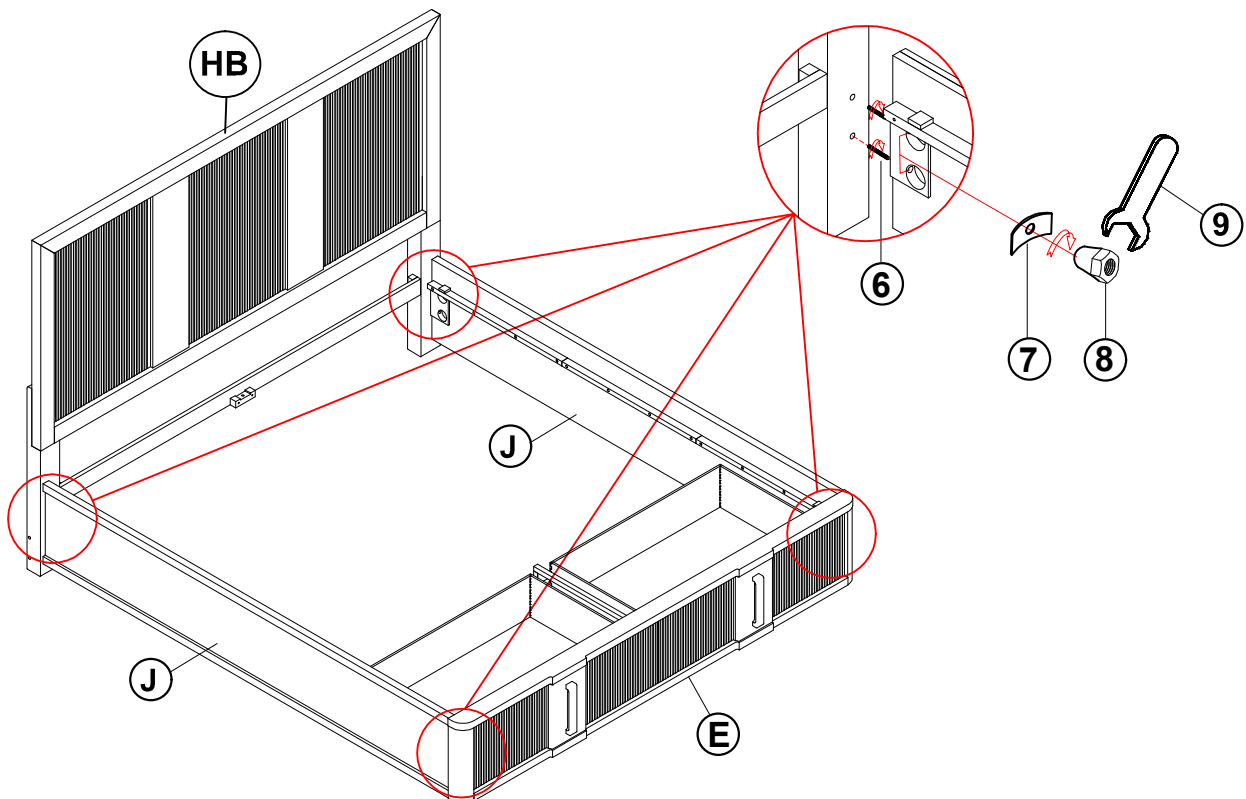


STEP 1



* BACK VIEW

STEP 2

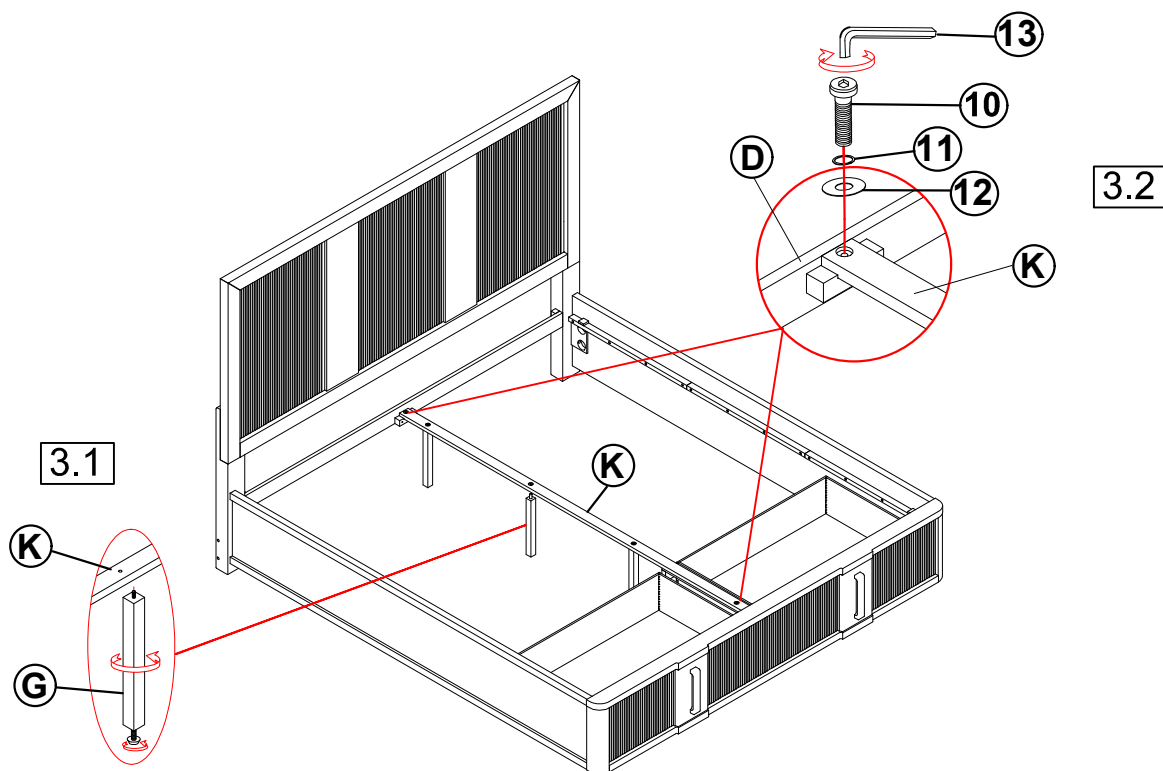


ITEM: 224900KE(B1-B3)

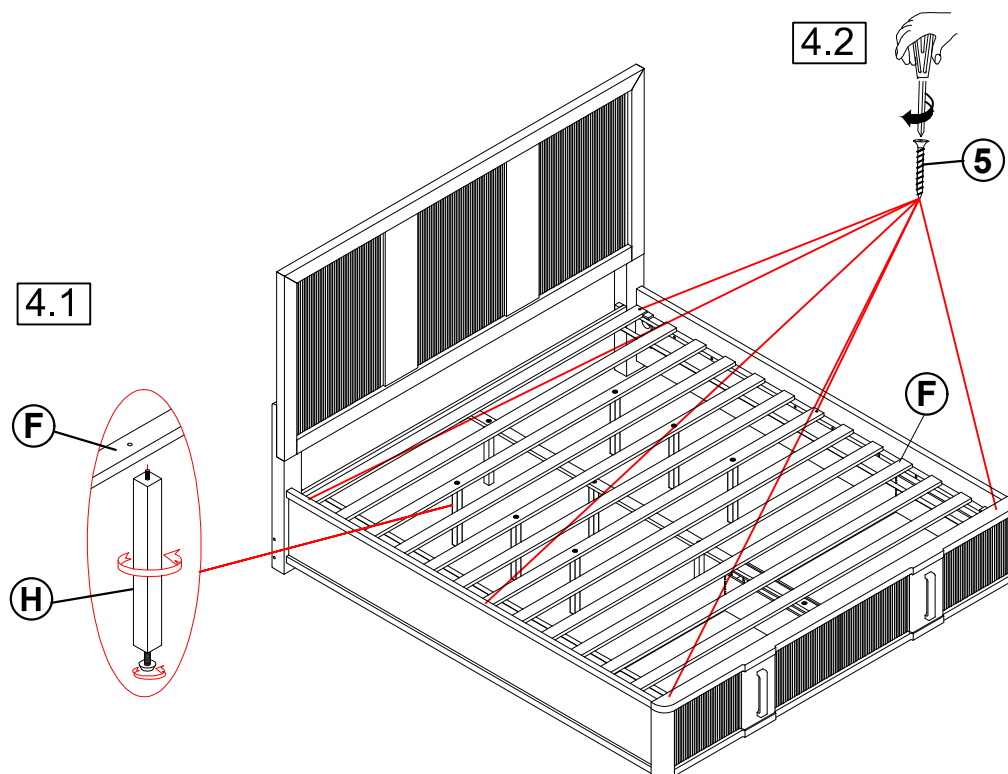
ASSEMBLY INSTRUCTIONS



STEP 3



STEP 4

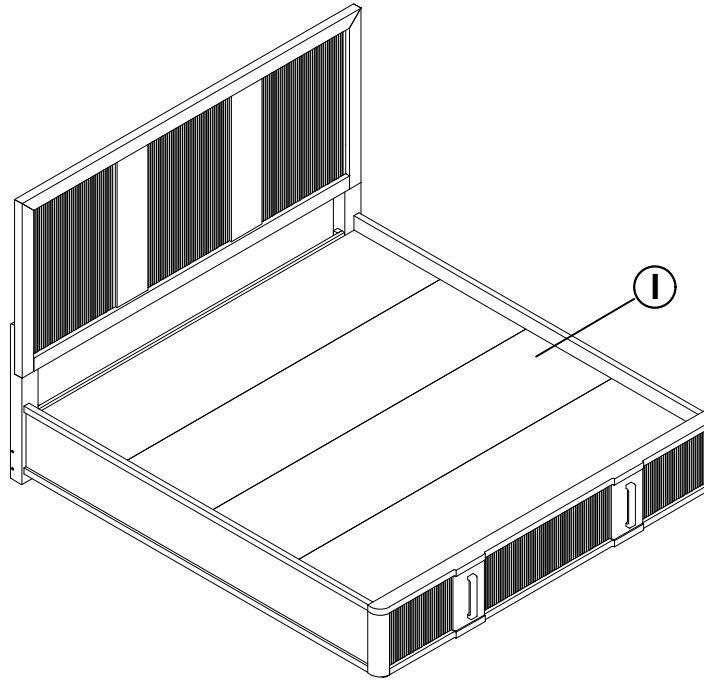


ITEM: **224900KE(B1-B3)**

ASSEMBLY INSTRUCTIONS



STEP 5



STEP 6
COMPLETE

