



**ASSEMBLY INSTRUCTIONS**  
**COASTER FINE FURNITURE**



*Fine Furniture for every stage of life*

**224900Q (B1-B3)**  
***Queen Bed***

# ITEM: 224900Q(B1-B3)



## ASSEMBLY INSTRUCTIONS

### ASSEMBLY TIPS:

1. Remove hardware from box and sort by size.
2. Please check to see that all hardware and parts are present prior to start of assembly.
3. Please follow attached instructions in the same sequence as numbered to assure fast & easy assembly.



### WARNING

1. Don't attempt to repair or modify parts that are broken or defective. Please contact the store immediately.
2. This product is for home use only and not intended for commercial establishments.

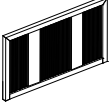
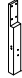




ASSEMBLY TIME

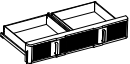

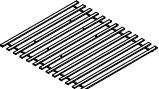

20 MINUTES

## PARTS IDENTIFICATION



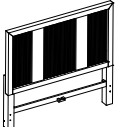

### B1 (BOX 1)

<p><b>A</b> HEADBOARD PANEL</p>  <p>1PC</p>	<p><b>C</b> RIGHT HEADBOARD LEG</p>  <p>1PC</p>
<p><b>B</b> LEFT HEADBOARD LEG</p>  <p>1PC</p>	<p><b>D</b> HEADBOARD BOTTOM RAIL</p>  <p>1PC</p>

### B2 (BOX 2)

<p><b>E</b> STORAGE FOOTBOARD</p>  <p>1PC</p>	<p><b>G</b> CENTER RAIL SUPPORT WITH LEVELER</p>  <p>3PCS</p>
<p><b>F</b> ROLL SLAT (13PCS)</p>  <p>1SET</p>	<p><b>H</b> CONCEAL PANEL</p>  <p>4PCS</p>

### B3 (BOX 3)

<p><b>I</b> BED RAIL</p>  <p>2PCS</p>	<p><b>J</b> CENTER RAIL</p>  <p>1PC</p>
<p><b>HB</b> 224900Q (B1) FROM BOX 1 HEADBOARD COMPLETE</p>  <p>1PC</p>	<p><b>E</b> 224900Q (B2) FROM BOX 2 FOOTBOARD</p>  <p>1PC</p>

# ITEM: 224900Q(B1-B3)



## ASSEMBLY INSTRUCTIONS

### ASSEMBLY TIPS:

1. Remove hardware from box and sort by size.
2. Please check to see that all hardware and parts are present prior to start of assembly.
3. Please follow attached instructions in the same sequence as numbered to assure fast & easy assembly.

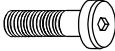





### WARNING

1. Don't attempt to repair or modify parts that are broken or defective. Please contact the store immediately.
2. This product is for home use only and not intended for commercial establishments.

## HARDWARE IDENTIFICATION

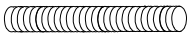
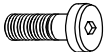




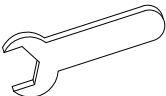

### Z-B1 (BOX 1) - HARDWARE PACK IS LOCATED IN 224900Q (B1)

1	<b>BOLT</b> (5/16" x 38mm - RBW)		12PCS	3	<b>FLAT WASHER</b> (5/16" x 19 x 1.5mm - RBW)		12PCS
2	<b>LOCK WASHER</b> (5/16" - RBW)		12PCS	4	<b>ALLEN WRENCH</b> (74 x 30 x 4mm - RBW)		1PC

### Z-B2 (BOX 2) - HARDWARE PACK IS LOCATED IN 224900Q (B2)

5	<b>FLAT HEAD SCREW</b> (4 x 32mm - RBW)		6PCS
---	--	---	------

### Z-B3 (BOX 3) - HARDWARE PACK IS LOCATED IN 224900Q (B3)

6	<b>THREADED BOLT</b> (5/16" x 75mm - RBW)		8PCS	10	<b>BOLT</b> (1/4 x 25mm - RBW)		2PCS
7	<b>U-SQUARE WASHER</b> (25 x 15 x 2mm - RBW)		8PCS	11	<b>LOCK WASHER</b> (1/4" - RBW)		2PCS
8	<b>HEX NUT</b> (5/16" x 17mm - RBW)		8PCS	12	<b>FLAT WASHER</b> (1/4" x 19 x 1.5mm - RBW)		2PCS
9	<b>WRENCH</b> (13MM - RBW)		1PC	13	<b>ALLEN WRENCH</b> (74 x 30 x 4mm - RBW)		1PC

### NOTE:

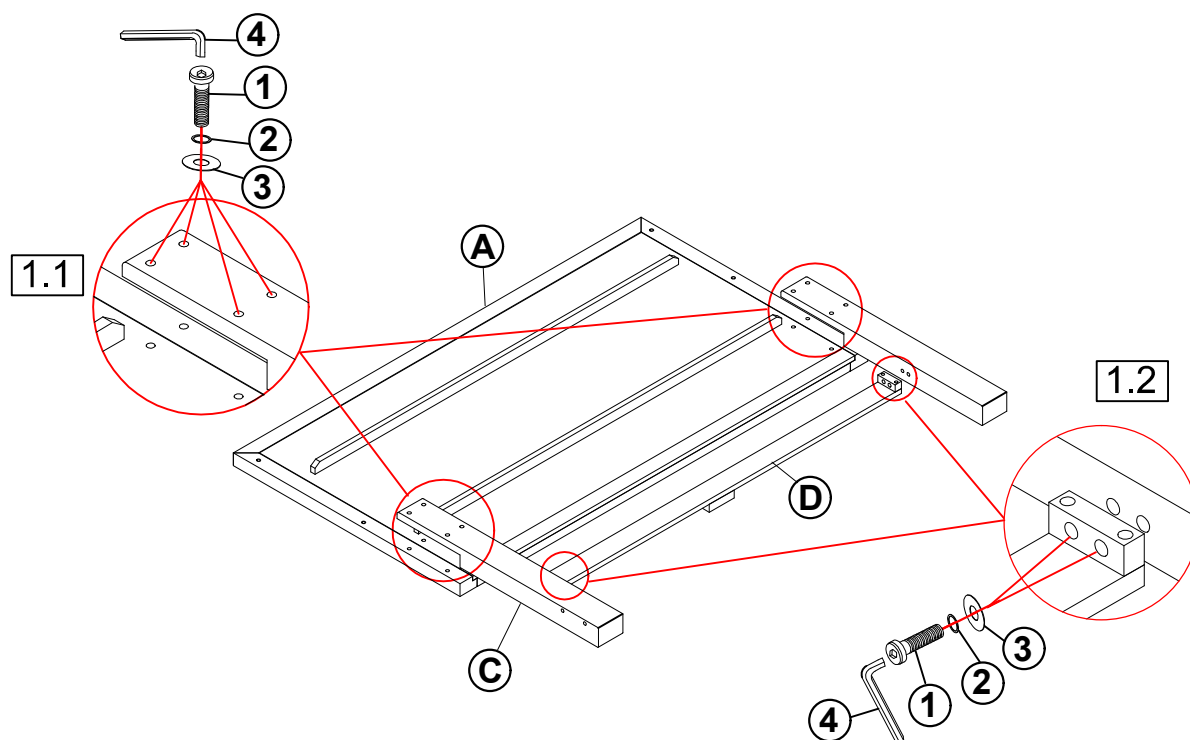
Phillips head screw driver is required in the assembly process; however, manufacturer does not provide this item.

# ITEM: 224900Q(B1-B3)

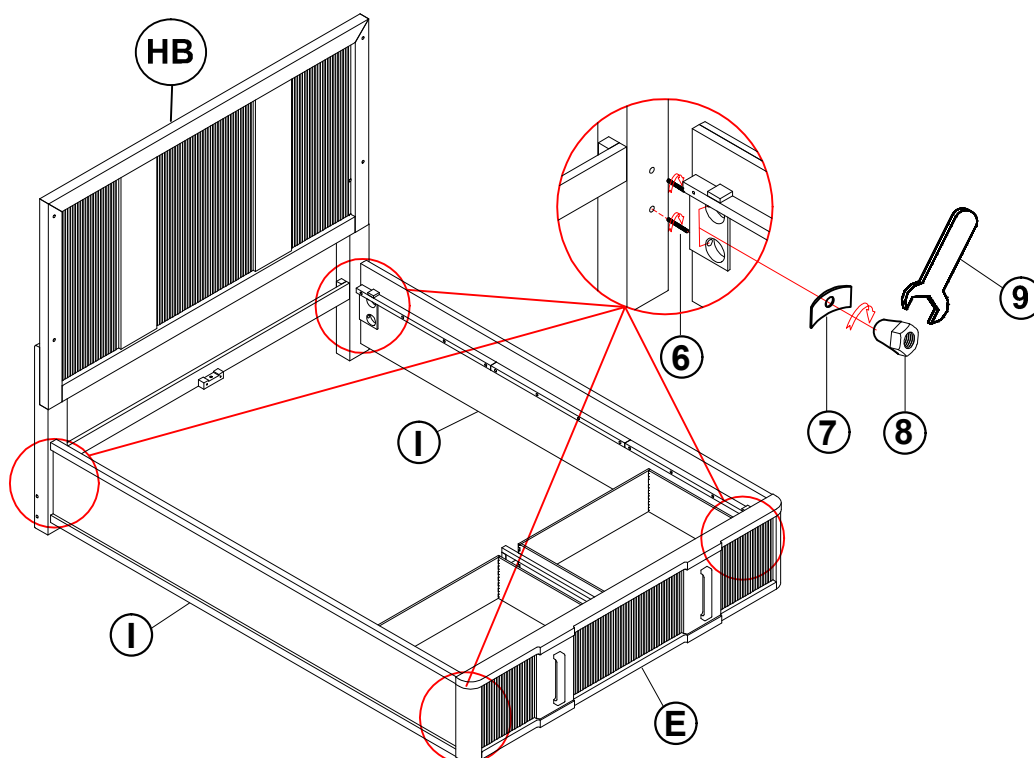
## ASSEMBLY INSTRUCTIONS



### STEP 1



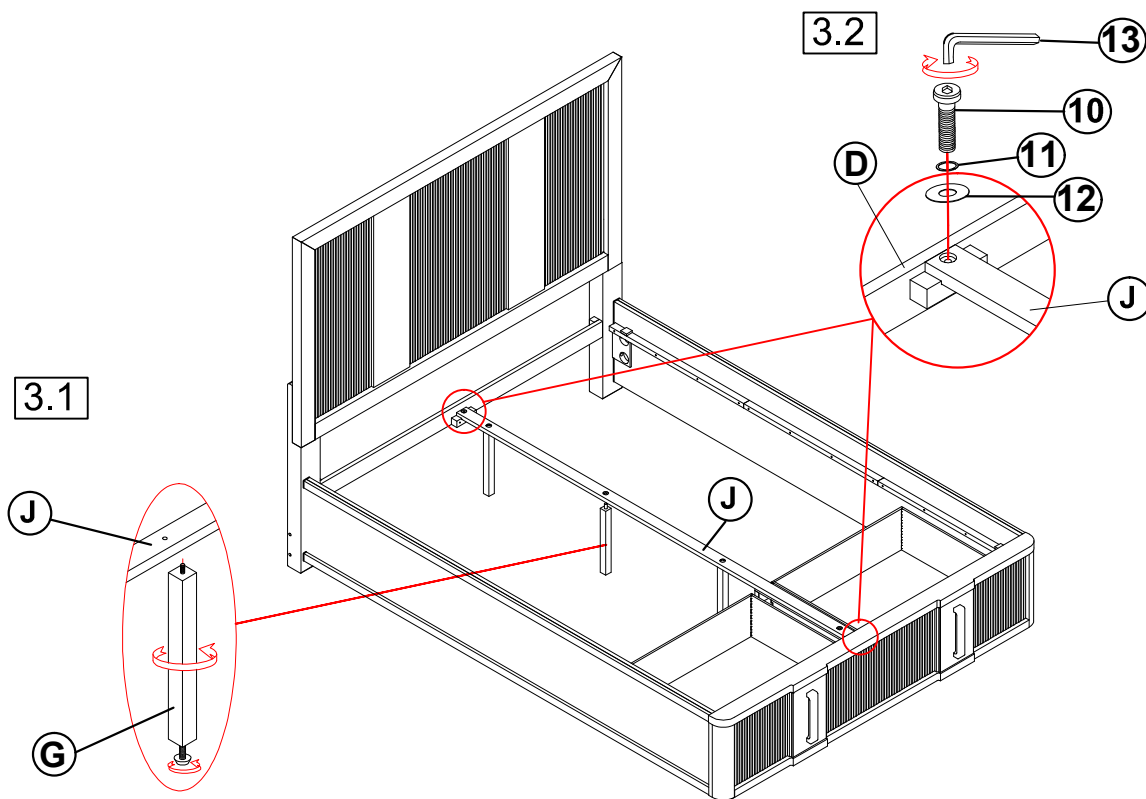
### STEP 2



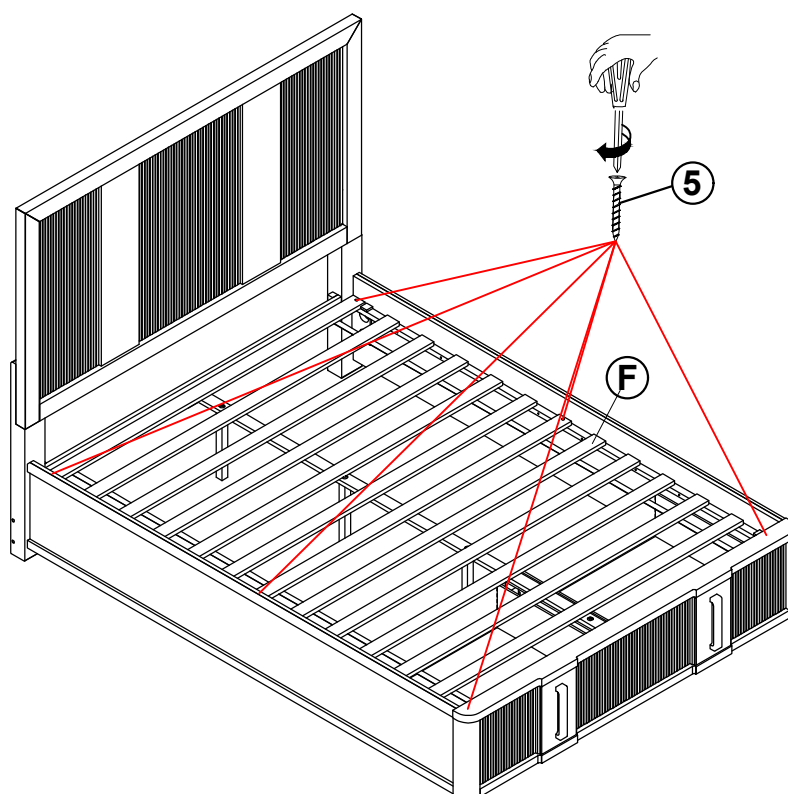
# ITEM: 224900Q(B1-B3)

## ASSEMBLY INSTRUCTIONS

### STEP 3



### STEP 4

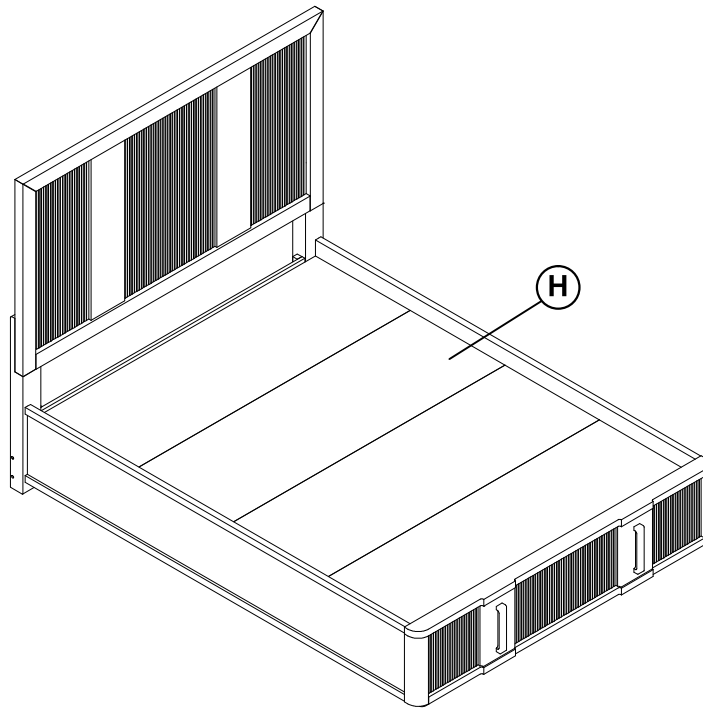


ITEM: **224900Q(B1-B3)**

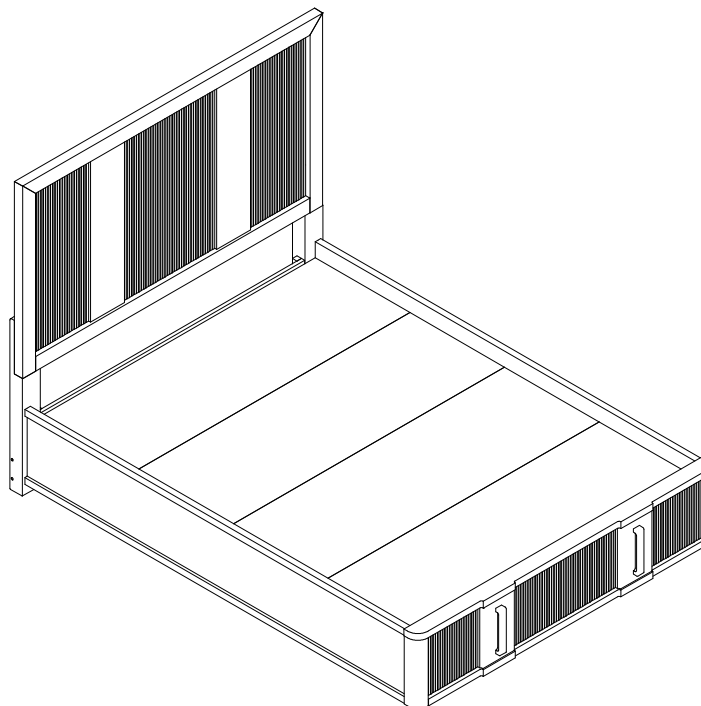
**ASSEMBLY INSTRUCTIONS**



**STEP 5**



**STEP 6**  
**COMPLETE**

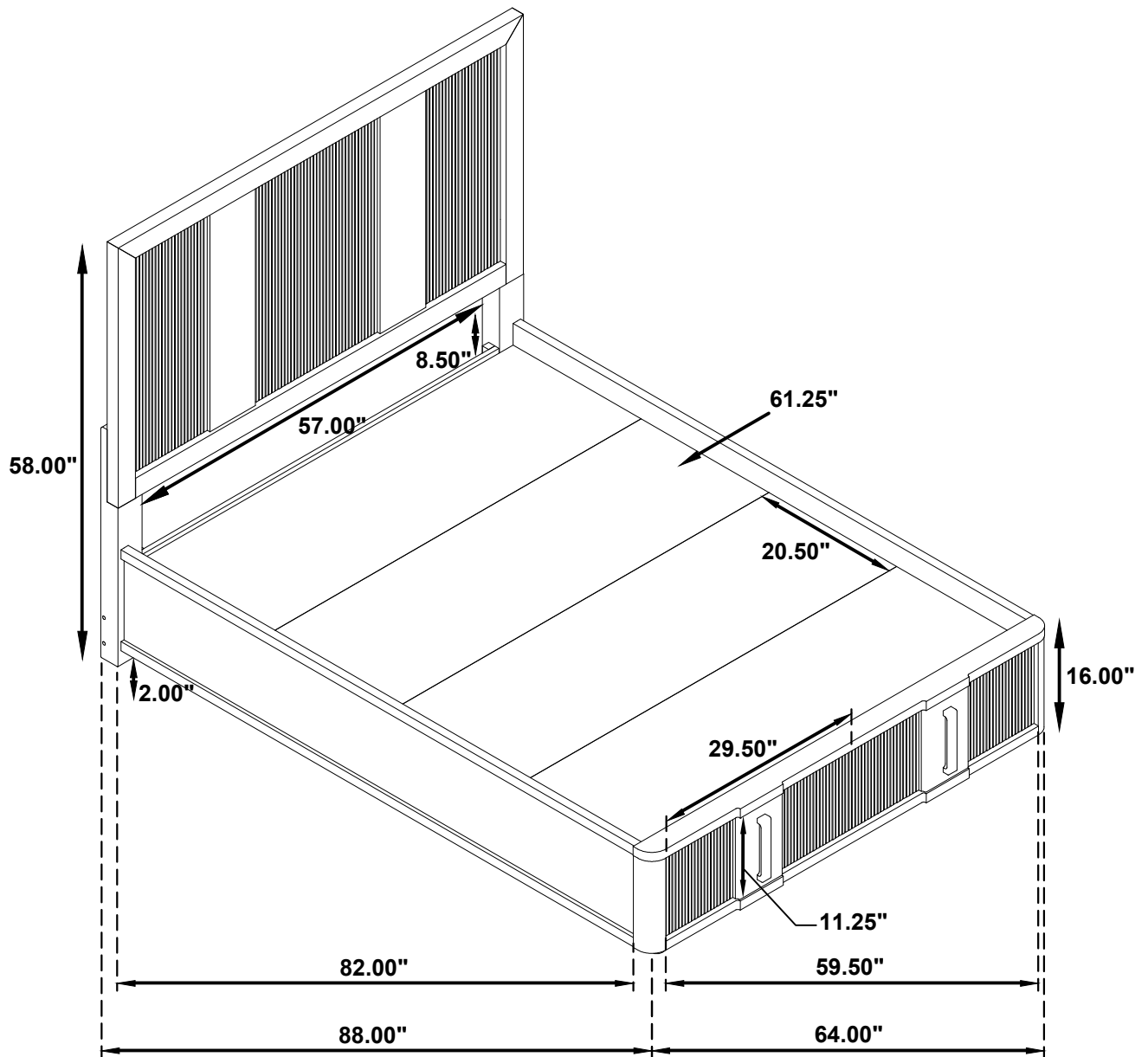


# ITEM: 224900Q(B1-B3)



Inner Size : 82.00"W x 61.25"D

Inner Size of Drawer : 25.75"W x 22.75"D x 7.25"H x 0.25T



Note : Dimension tolerance  $\pm$  5%