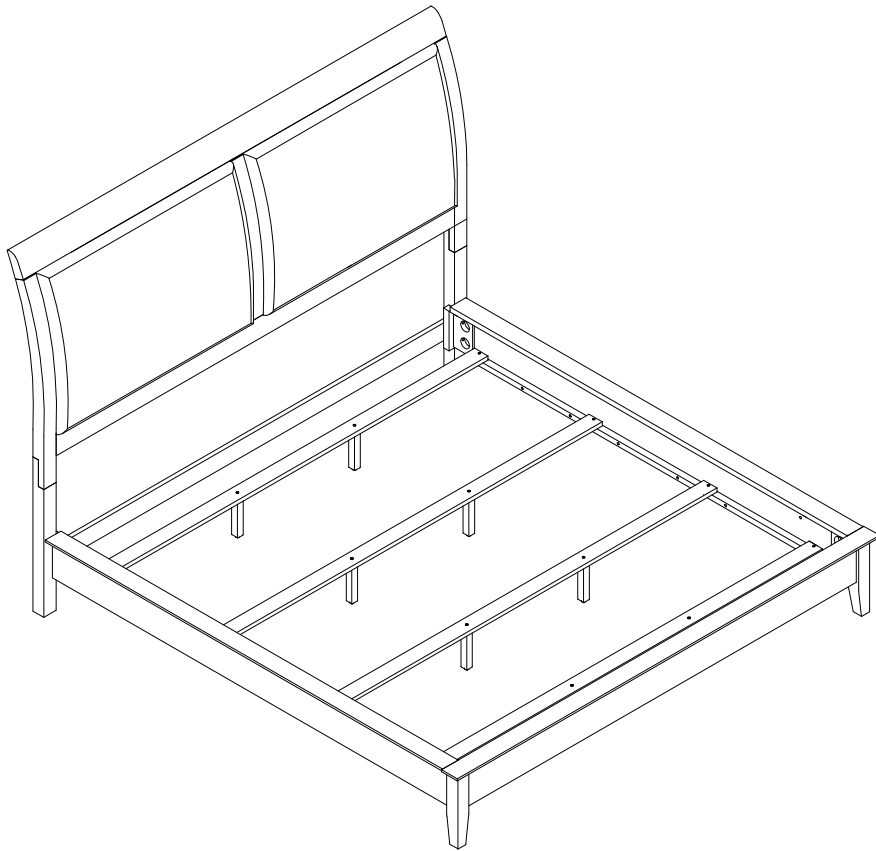


ASSEMBLY INSTRUCTIONS
COASTER FINE FURNITURE



Fine Furniture for every stage of life

223471KE (B1-B3)
Eastern King Bed

ITEM: 223471KE (B1-B3)



ASSEMBLY INSTRUCTIONS

ASSEMBLY TIPS:

1. Remove hardware from box and sort by size.
2. Please check to see that all hardware and parts are present prior to start of assembly.
3. Please follow attached instructions in the same sequence as numbered to assure fast & easy assembly.



WARNING!

1. Don't attempt to repair or modify parts that are broken or defective. Please contact the store immediately.
2. This product is for home use only and not intended for commercial establishments.

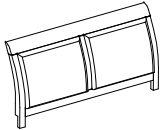





ASSEMBLY TIME

30 MINUTES

PARTS IDENTIFICATION




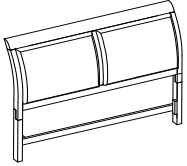

B1 (BOX 1)

A	HEADBOARD PANEL		1PC	B	RIGHT HEADBOARD LEG		1PC
C	LEFT HEADBOARD LEG		1PC	D	HEADBOARD BOTTOM RAIL		1PC

B2 (BOX 2)

E	FOOTBOARD		1PC
---	-----------	---	-----

B3 (BOX 3)

F	BED RAIL		2PCS	G	BED SLAT		4PCS
H	BED SLAT SUPPORT WITH LEVELER		8PCS				
HB	223471KE (B1) FROM BOX 1 HEADBOARD COMPLETE		1PC	FB	223471KE (B2) FROM BOX 2 FOOTBOARD		1PC

NOTE:

Phillips head screw driver is required in the assembly process; however, manufacturer does not provide this item.

ITEM: 223471KE(B1-B3)



ASSEMBLY INSTRUCTIONS

ASSEMBLY TIPS:

1. Remove hardware from box and sort by size.
2. Please check to see that all hardware and parts are present prior to start of assembly.
3. Please follow attached instructions in the same sequence as numbered to assure fast & easy assembly.








WARNING!






1. Don't attempt to repair or modify parts that are broken or defective. Please contact the store immediately.
2. This product is for home use only and not intended for commercial establishments.

HARDWARE IDENTIFICATION

Z-B1 (BOX 1) - HARDWARE PACK IS LOCATED IN 223471KE (B1)

1	LONG BOLT ($\varnothing 5/16''$ x 45MM - RBW)		8PCS	4	FLAT WASHER ($\varnothing 5/16''$ - RBW)		12PCS
2	SHORT BOLT ($\varnothing 5/16''$ x 35MM - RBW)		4PCS	5	ALLEN WRENCH (4MM - RBW)		1PC
3	LOCK WASHER ($\varnothing 5/16''$ - RBW)		12PCS				

Z-B3 (BOX 3) - HARDWARE PACK IS LOCATED IN 223471KE (B3)

6	THREADED BOLT ($\varnothing 5/16''$ x 90MM - RBW)		8PCS	9	WRENCH (14MM - RBW)		1PC
7	HALF ROUND NUT ($\varnothing 5/16''$ - RBW)		8PCS	10	FLAT HEAD SCREW ($\varnothing 4$ x 30MM - RBW)		8PCS
8	HEX NUT ($\varnothing 5/16''$ x 14MM - RBW)		8PCS				

NOTE:

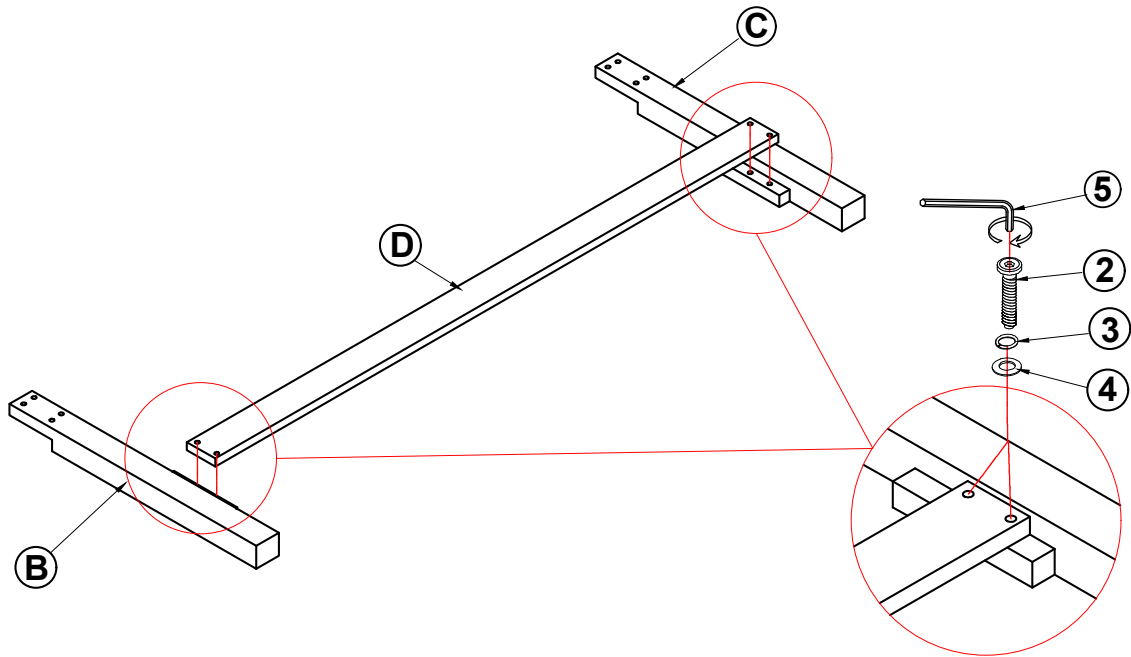
Phillips head screw driver is required in the assembly process; however, manufacturer does not provide this item.

ITEM: 223471KE(B1-B3)

ASSEMBLY INSTRUCTIONS

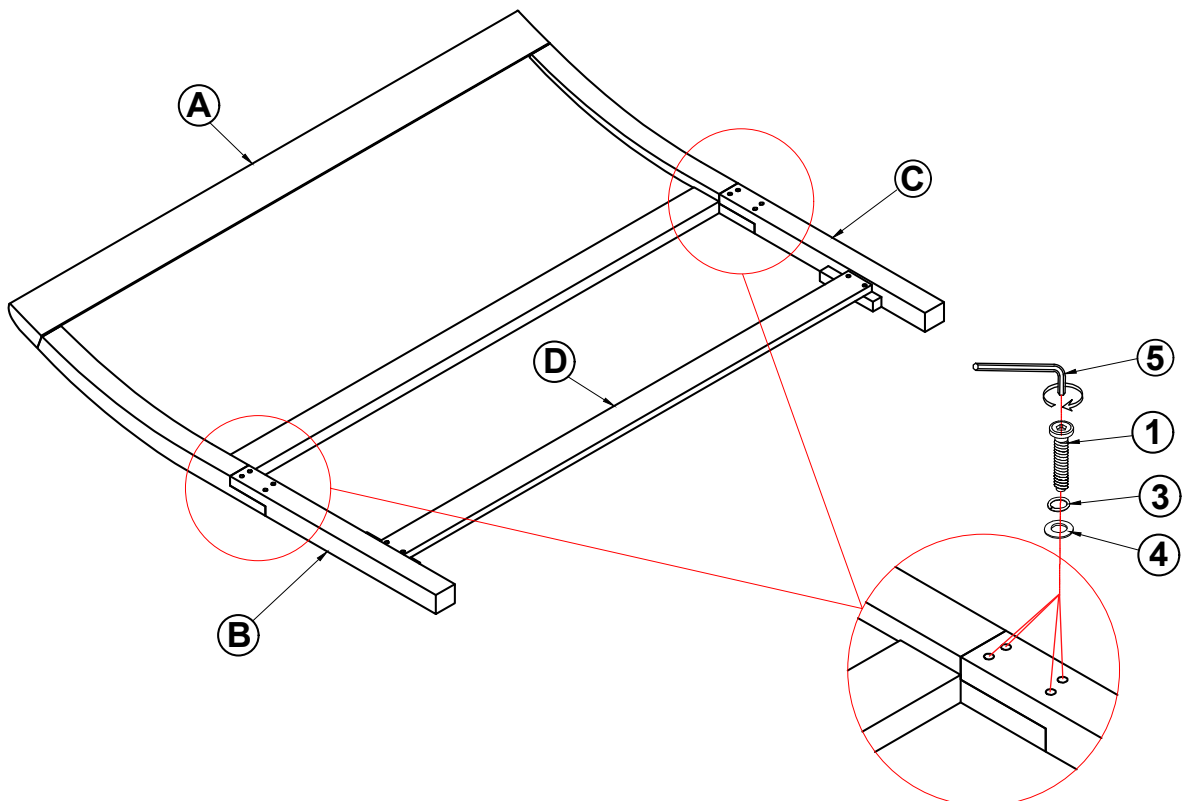


STEP 1



* BACK VIEW

STEP 2

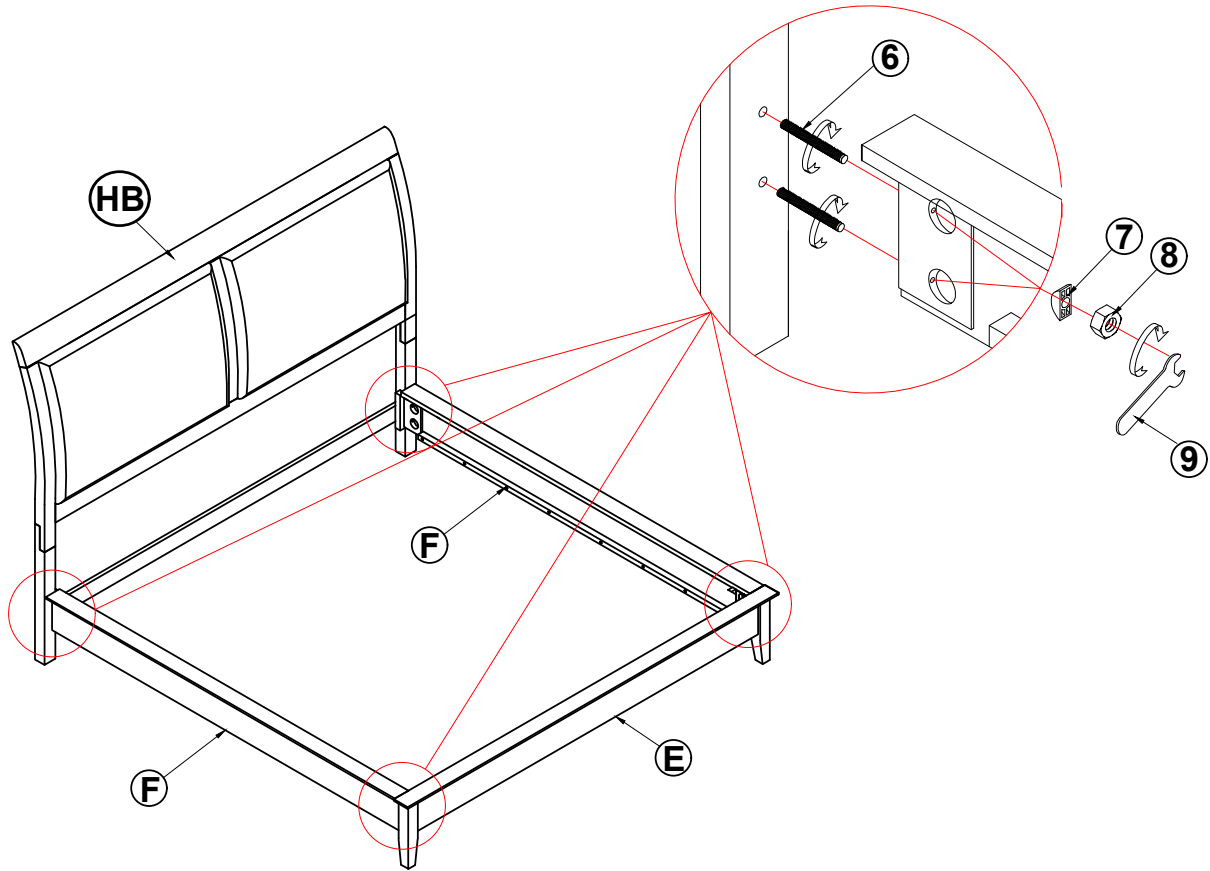


ITEM: 223471KE(B1-B3)

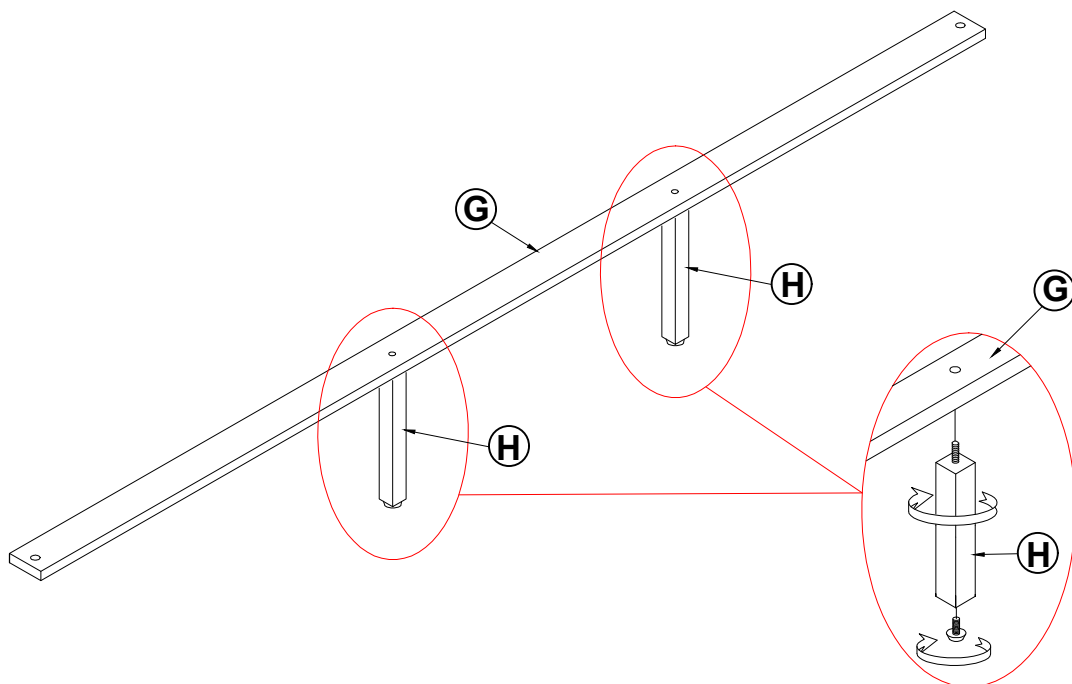


ASSEMBLY INSTRUCTIONS

STEP 3



STEP 4

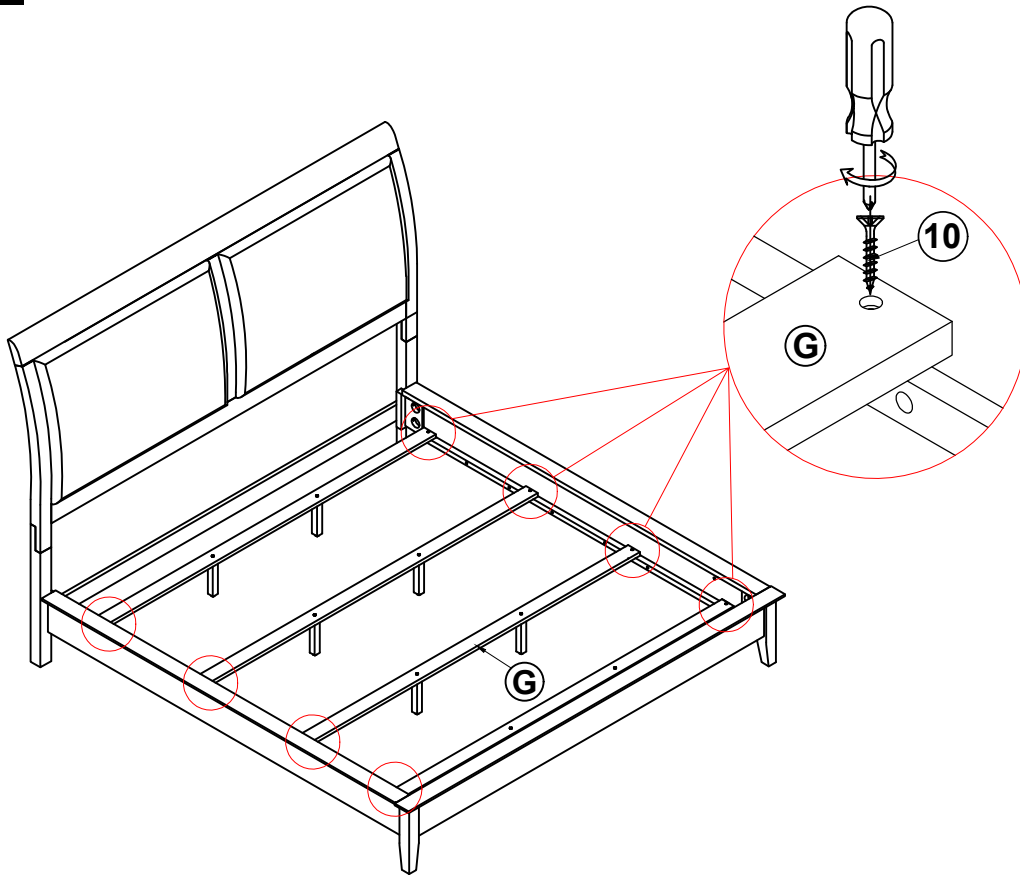


ITEM: **223471KE(B1-B3)**

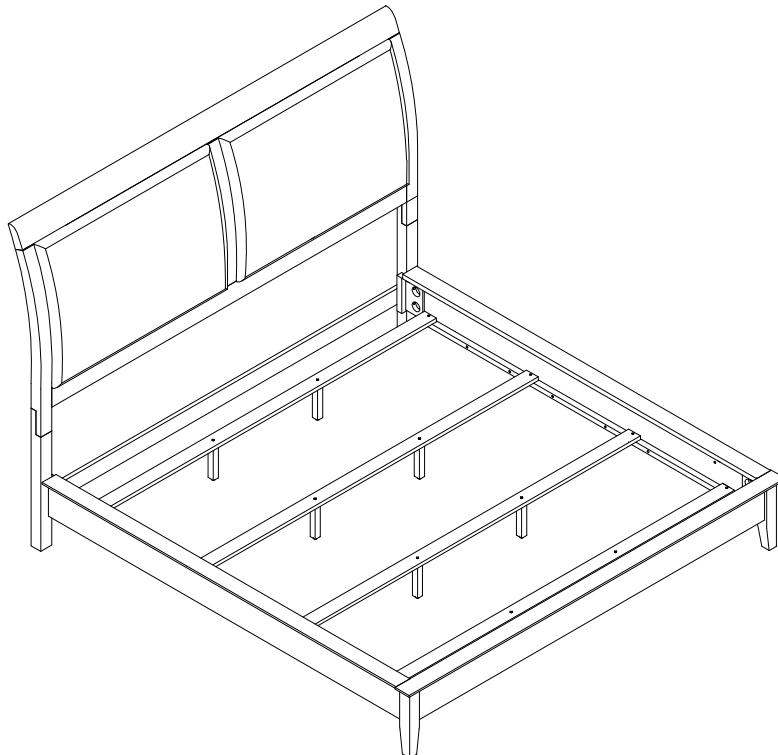


ASSEMBLY INSTRUCTIONS

STEP 5



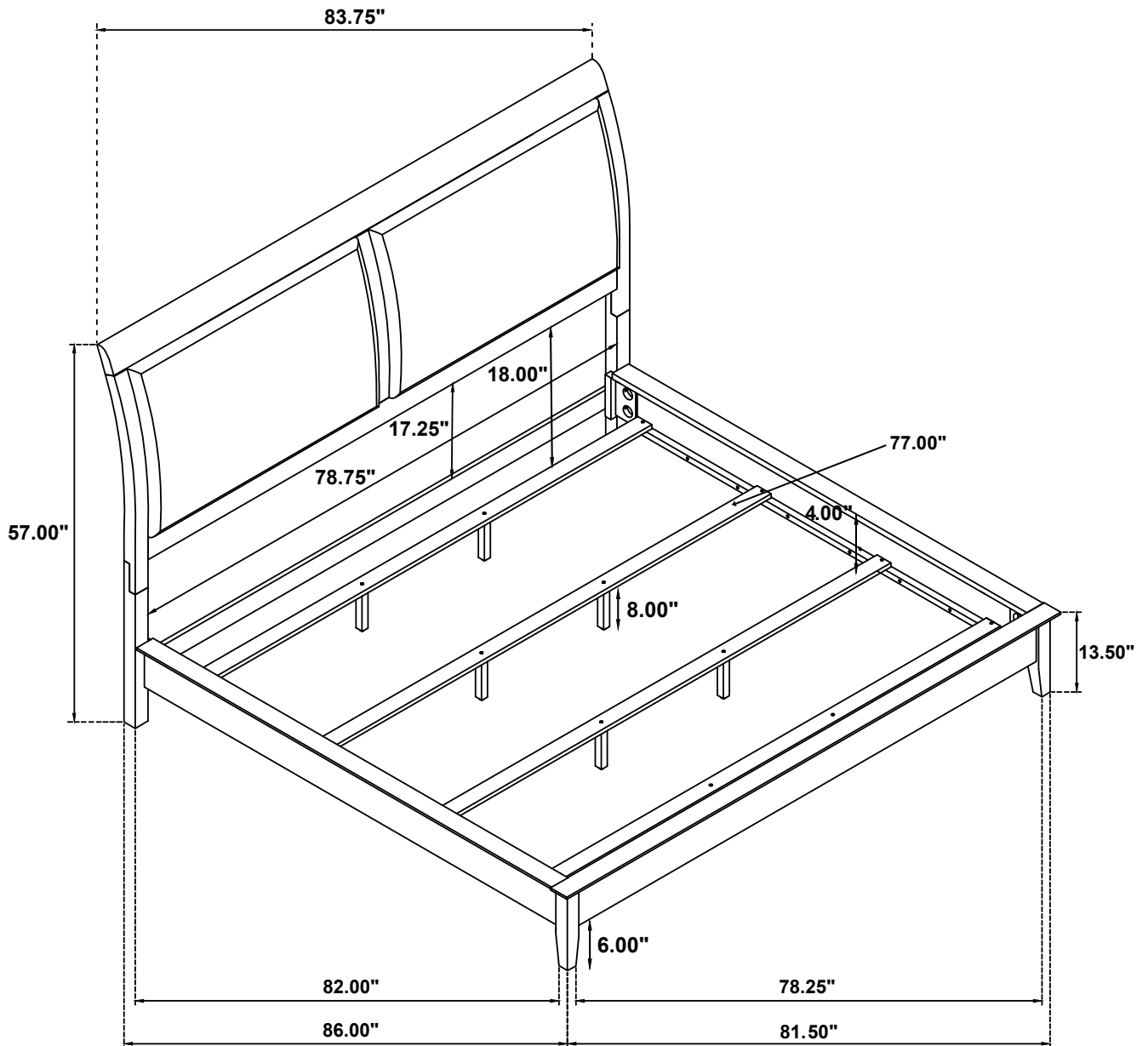
STEP 6
COMPLETE



ITEM: **223471KE(B1-B3)**



Inner Size : 81.50"W X 77.00"D



Note: Dimension tolerance $\pm 5\%$