



ASSEMBLY INSTRUCTIONS
COASTER FINE FURNITURE



Fine Furniture for every stage of life

223476
Bench

ITEM: **223476**



ASSEMBLY INSTRUCTIONS

ASSEMBLY TIPS:

1. Remove hardware from box and sort by size.
2. Please check to see that all hardware and parts are present prior to start of assembly.
3. Please follow attached instructions in the same sequence as numbered to assure fast & easy assembly.



WARNING!

1. Don't attempt to repair or modify parts that are broken or defective. Please contact the store immediately.
2. This product is for home use only and not intended for commercial establishments.

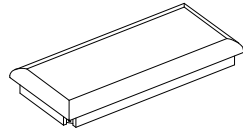


ASSEMBLY TIME

5 MINUTES

PARTS IDENTIFICATION

A SEAT CUSHION
WITH FRAME



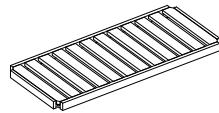
1PC

B LEG



4PCS

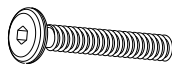
C BOTTOM FRAME



1PC

HARDWARE IDENTIFICATION

1 BOLT
(Φ 5/16" x 50mm - RBW)



12 PCS

3 LOCK WASHER
(Φ 5/16" - RBW)



12 PCS

2 FLAT WASHER
(Φ 5/16" - RBW)



12 PCS

4 ALLEN WRENCH
(4MM - RBW)



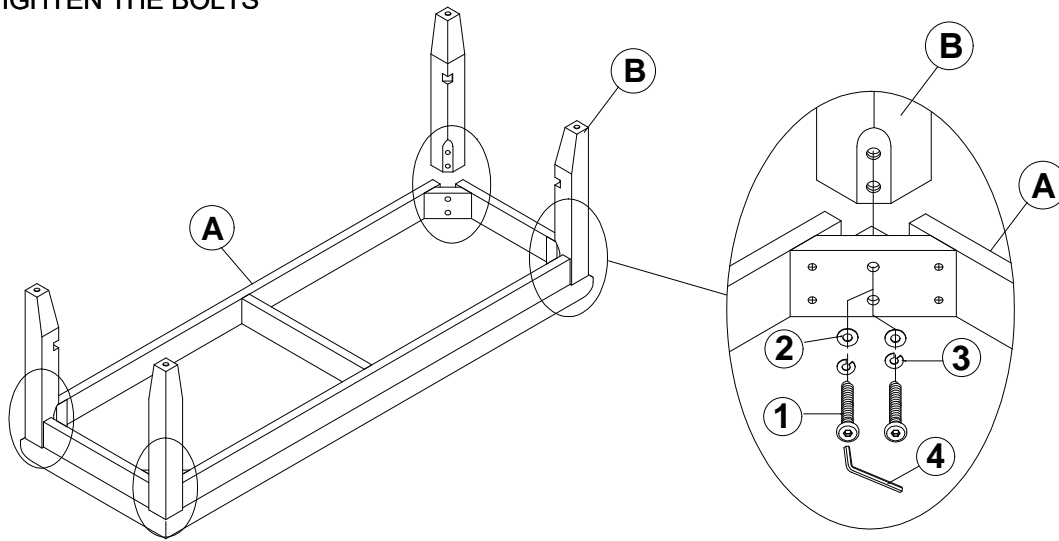
1PC

ITEM: **223476**

ASSEMBLY INSTRUCTIONS

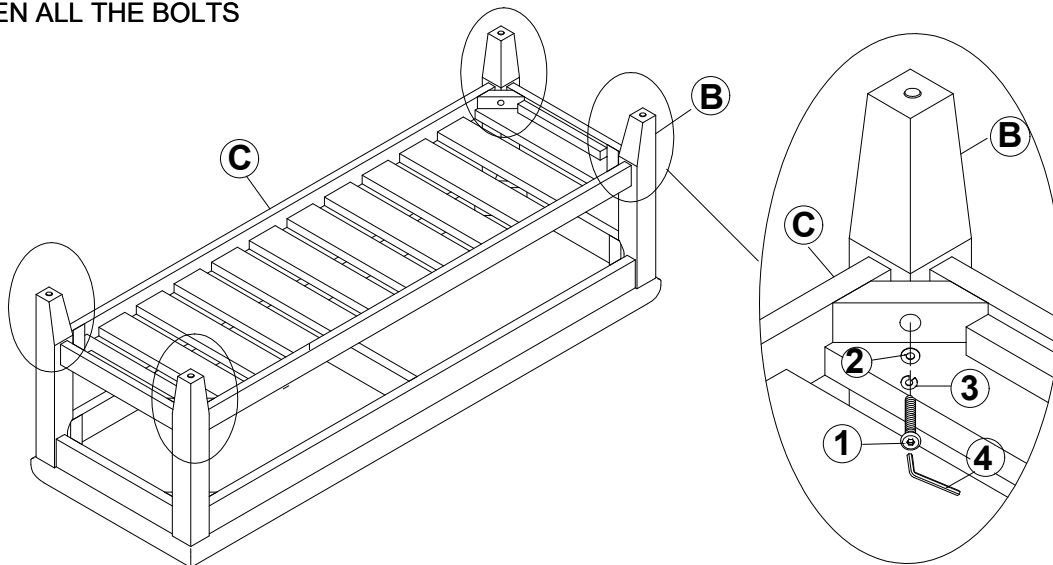
STEP 1

DO NOT TIGHTEN THE BOLTS

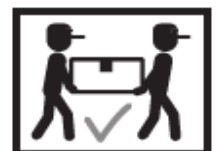
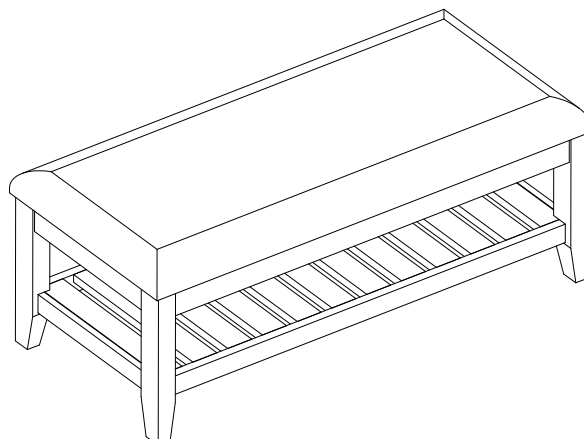


STEP 2

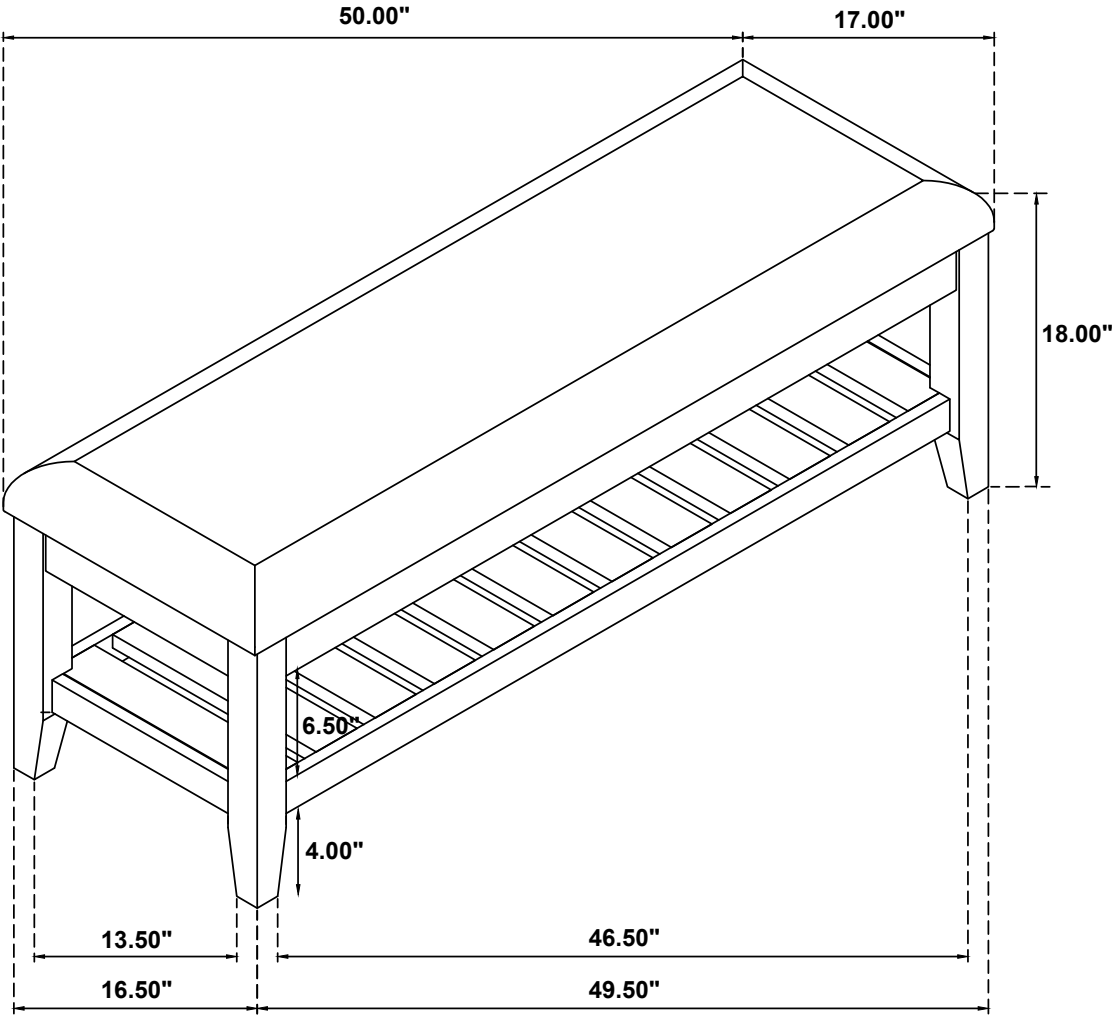
TIGHTEN ALL THE BOLTS



STEP 3 **COMPLETE**



ITEM: 223476



Note: Dimension tolerance $\pm 5\%$