

ASSEMBLY INSTRUCTIONS
COASTER FINE FURNITURE



Fine Furniture for every stage of life

109102
Side Chair

ITEM: 109102



ASSEMBLY INSTRUCTIONS

ASSEMBLY TIPS:

1. Remove hardware from box and sort by size.
2. Please check to see that all hardware and parts are present prior to start of assembly.
3. Please follow attached instructions in the same sequence as numbered to assure fast & easy assembly.



WARNING!


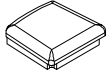
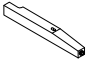
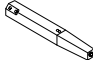
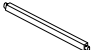
1. Don't attempt to repair or modify parts that are broken or defective. Please contact the store immediately.
2. This product is for home use only and not intended for commercial establishments.










ASSEMBLY TIME

15 MINUTES

PARTS IDENTIFICATION

A	BACK FRAME		1PC
B	SEAT CUSHION WITH FRAME		1PC
C	RIGHT FRONT LEG		1PC
D	LEFT FRONT LEG		1PC
E	SIDE STRETCHER		2PCS

HARDWARE IDENTIFICATION

1	ALLEN WRENCH (M4 x 58mm - RBW)		1PC
2	LONG BOLT (5/16" x 75mm - BLK)		4PCS
3	MEDIUM BOLT (5/16" x 60mm - BLACK)		4PCS
4	SHORT BOLT (5/16" x 38mm - BLACK)		2PCS
5	FLAT WASHER (5/16" - BLK)		10PCS
6	LOCK WASHER (5/16" - BLK)		10PCS
7	PAN HEAD SCREW (#8 x 45mm - BLK)		4PCS

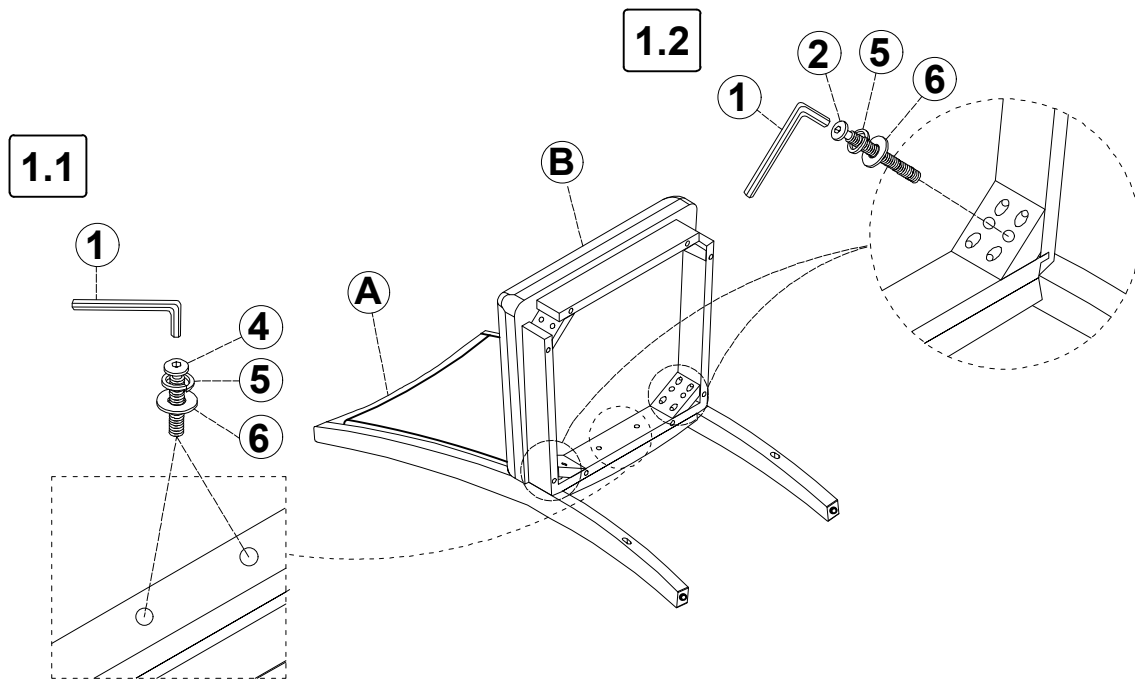
NOTE:

Quantities shown are for one chair.

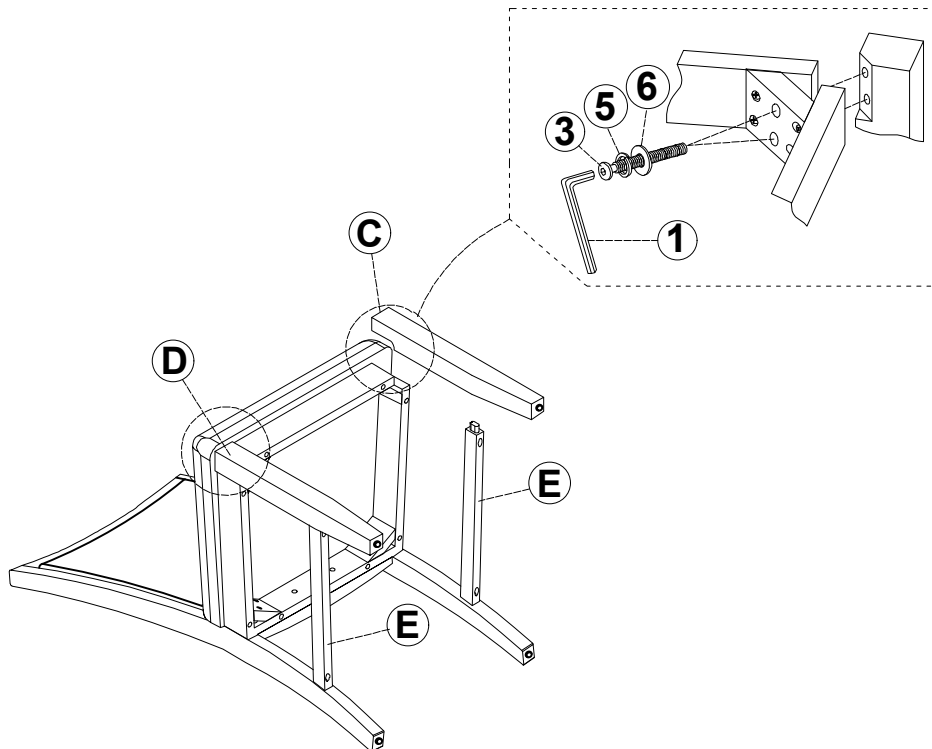
ITEM: 109102

ASSEMBLY INSTRUCTIONS

STEP 1



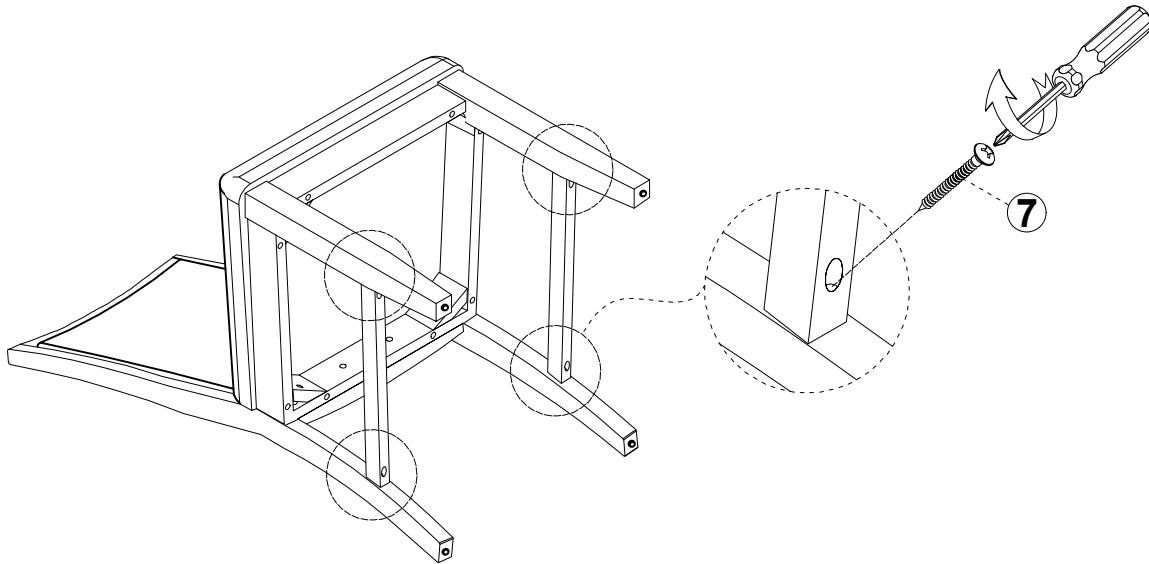
STEP 2



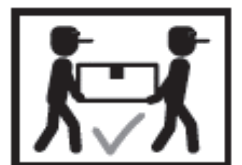
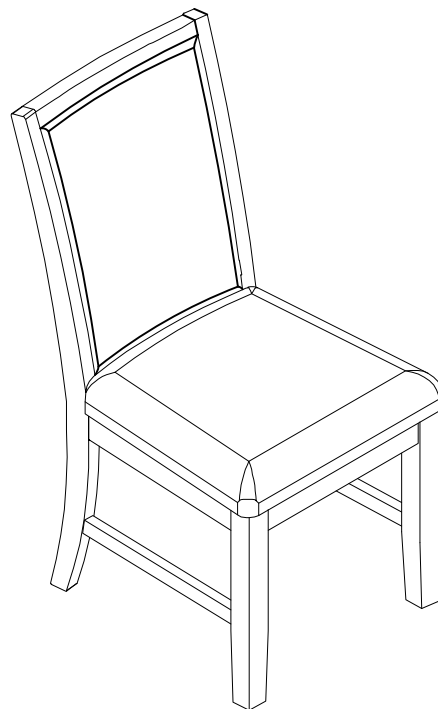
ITEM: **109102**
ASSEMBLY INSTRUCTIONS



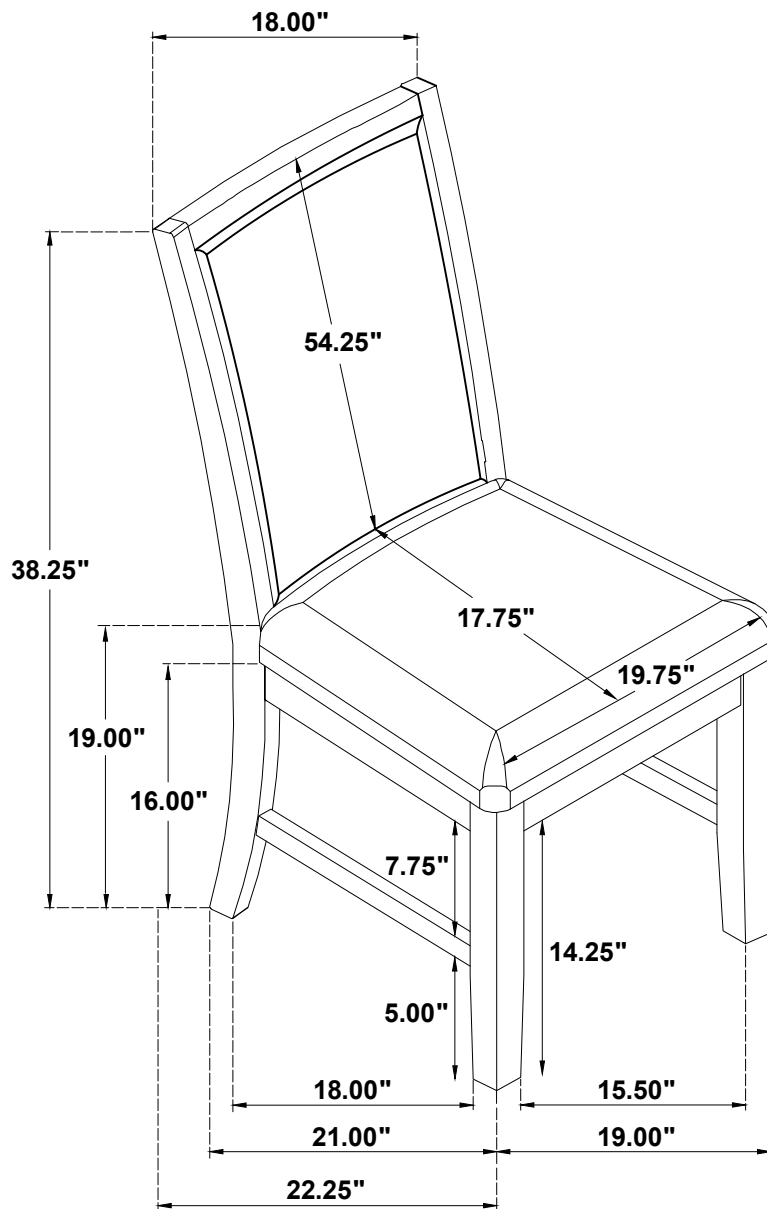
STEP 3



STEP 4
COMPLETE



ITEM: **109102**



Note: Dimension tolerance $\pm 5\%$