

ASSEMBLY INSTRUCTIONS
COASTER FINE FURNITURE



Fine Furniture for every stage of life

800521
OFFICE DESK

ITEM:800521

ASSEMBLY INSTRUCTIONS

ASSEMBLY TIPS:

1. Remove hardware from box and sort by size.
2. Please check to see that all hardware and parts are present prior to start of assembly.
3. Please follow attached instructions in the same sequence as numbered to assure fast & easy assembly.



WARNING!

1. Don't attempt to repair or modify parts that are broken or defective. Please contact the store immediately.
2. This product is for home use only and not intended for commercial establishments.



ASSEMBLY TIME

80 MINUTES

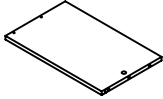
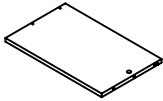
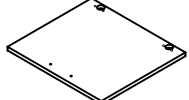
PARTS IDENTIFICATION

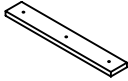
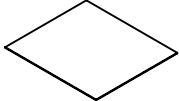
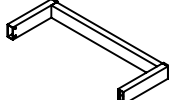
A	LEFT SIDE PANEL		1 PC	I	LARGE TOP PANEL		1 PC
B	LEFT DIVIDER PANEL		1 PC	J	SMALL DRAWER FRONT PANEL		1 PC
C	RIGHT DIVIDER PANEL		1 PC	K	SMALL DRAWER BACK PANEL		1 PC
D	RIGHT SIDE PANEL		1 PC	L	SMALL LEFT DRAWER SIDE PANEL		1 PC
E	BOTTOM PANEL		2 PCS	M	SMALL RIGHT DRAWER SIDE PANEL		1 PC
F	TOP PANEL		2 PCS	N	DRAWER BOTTOM PANEL		2 PCS
G	LEFT BACK PANEL		1 PC	O	LARGE DRAWER FRONT PANEL		1 PC
H	MIDDLE BACK PANEL		1 PC	P	LARGE DRAWER BACK PANEL		1 PC

NOTE:

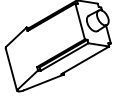

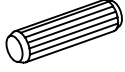

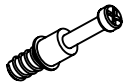







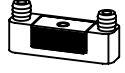
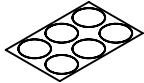
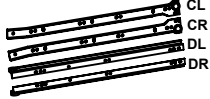
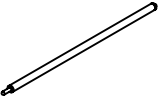

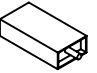
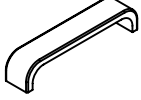
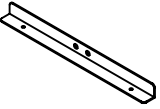

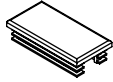
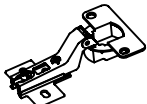
Phillips head screw driver is required in the assembly process; however, manufacturer does not provide this item.

ITEM:800521

Q	LARGE LEFT DRAWER SIDE PANEL		1 PC
R	LARGE RIGHT DRAWER SIDE PANEL		1 PC
S	DOOR		1 PC

T	CROSS BAR		2 PCS
U	RIGHT BACK PANEL		1 PC
V	FOOT		2 PCS

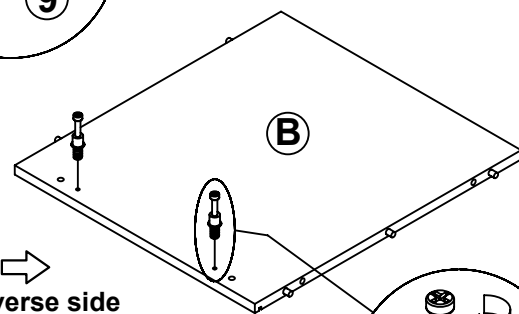
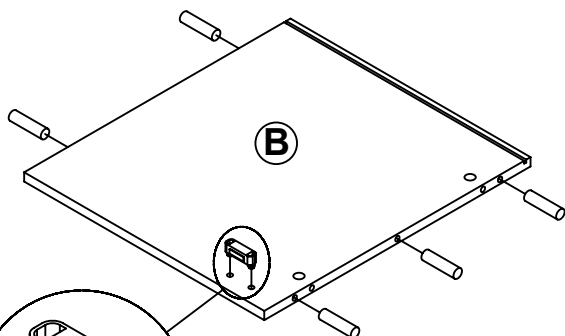
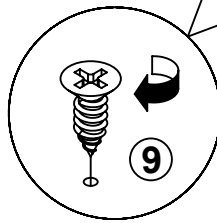
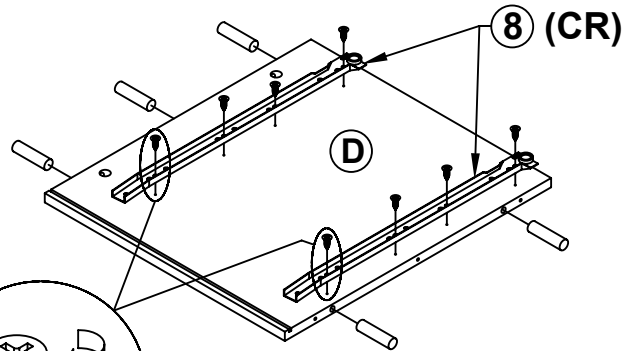
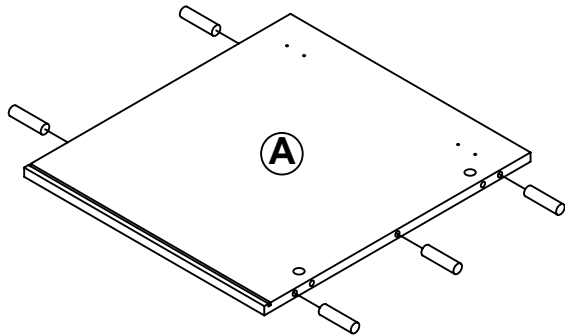
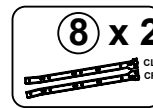
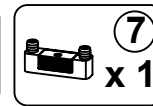
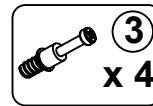
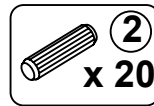
HARDWARE IDENTIFICATION

Z NO	DESCRIPTION	FIGURE	Q'TY	NO	DESCRIPTION	FIGURE	Q'TY
1	GLUE 40g		1 PC	13	HINGE SCREW (Ø 4x15mm SR)		8 PCS
2	WOODEN DOWEL Ø 8x30mm		30 PCS	14	LONG BOLT (M6x35mm SR)		6 PCS
3	CAM BOLT (Ø 7x35.5mm SR)		16 PCS	15	BOLT (M6x28mm SR)		4 PCS
4	CAM LOCK (Ø 15x12mm SR)		16 PCS	16	SHORT BOLT (M6x15mm SR)		4 PCS
5	LONG SCREW (Ø 4.5x42mm SR)		12 PCS	17	CROSS BAR SCREW (Ø 4x25mm RBW)		6 PCS
6	SCREW (Ø 4.3x35mm SR)		8 PCS	18	ALLEN WRENCH (4mm SR)		1 PC
7	DOOR CATCH		1 PC	19	STICKER Ø 20mm		3 PCS
8	GLIDES (L = 450mm WHT)		2 SET	20	IRON BAR (Ø 9.5x359mm SR)		2 PCS
9	SHORT SCREW (Ø 3x12mm SR)		28 PCS	21	IRON 80mm		4 PCS
10	HANDLE L=106mm		3 PCS	22	"L" SUPPORT IRON 300mm		2 PCS
11	HANDLE BOLT (Ø 4x23mm SR)		6 PCS	23	FLOOR PROTECTOR 40x20m		4 PCS
12	HINGE (Ø 26mm SR)		2 PCS				

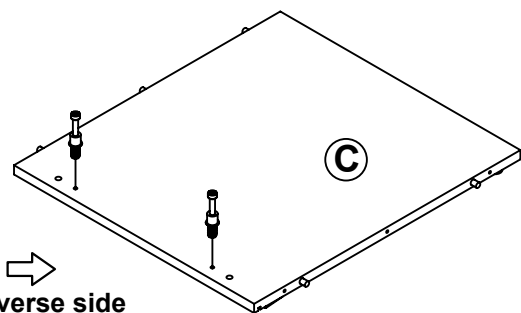
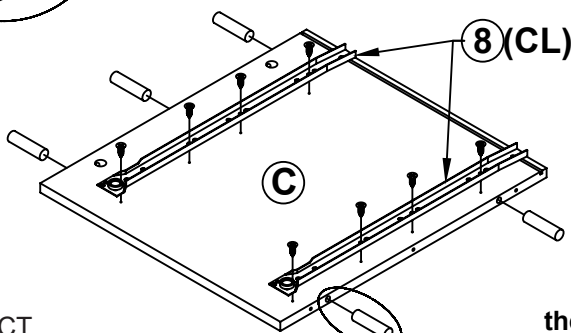
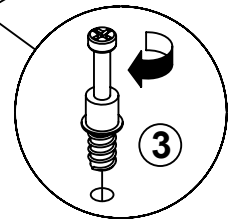
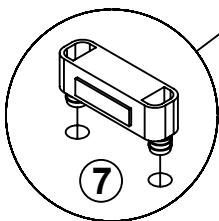
Z8,Z10,Z12,Z20,Z21,Z22 not included in blister packaging.

ITEM: 800521

STEP 1

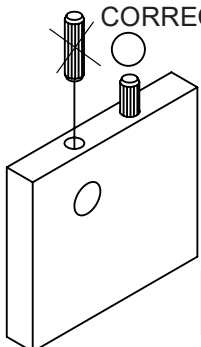


the reverse side

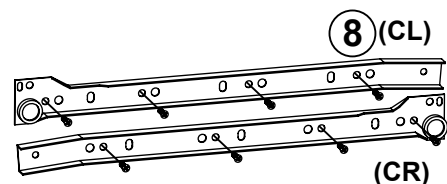
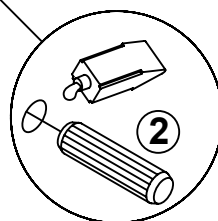


the reverse side

INCORRECT
CORRECT



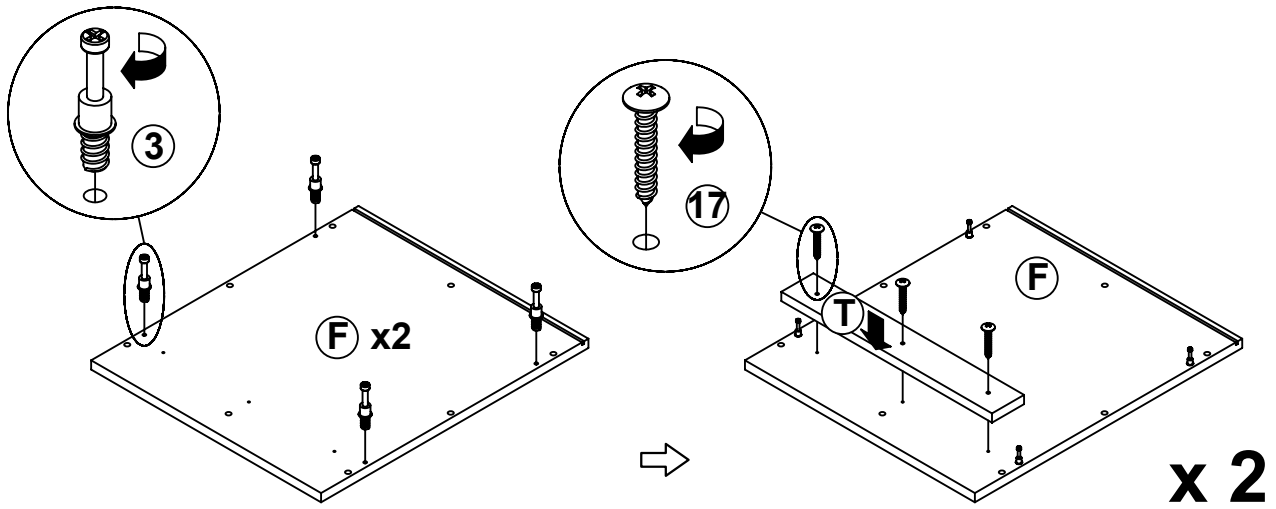
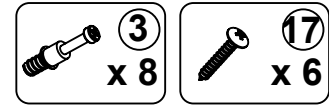
Apply glue on all wooden dowels to ensure integrity of the structure.



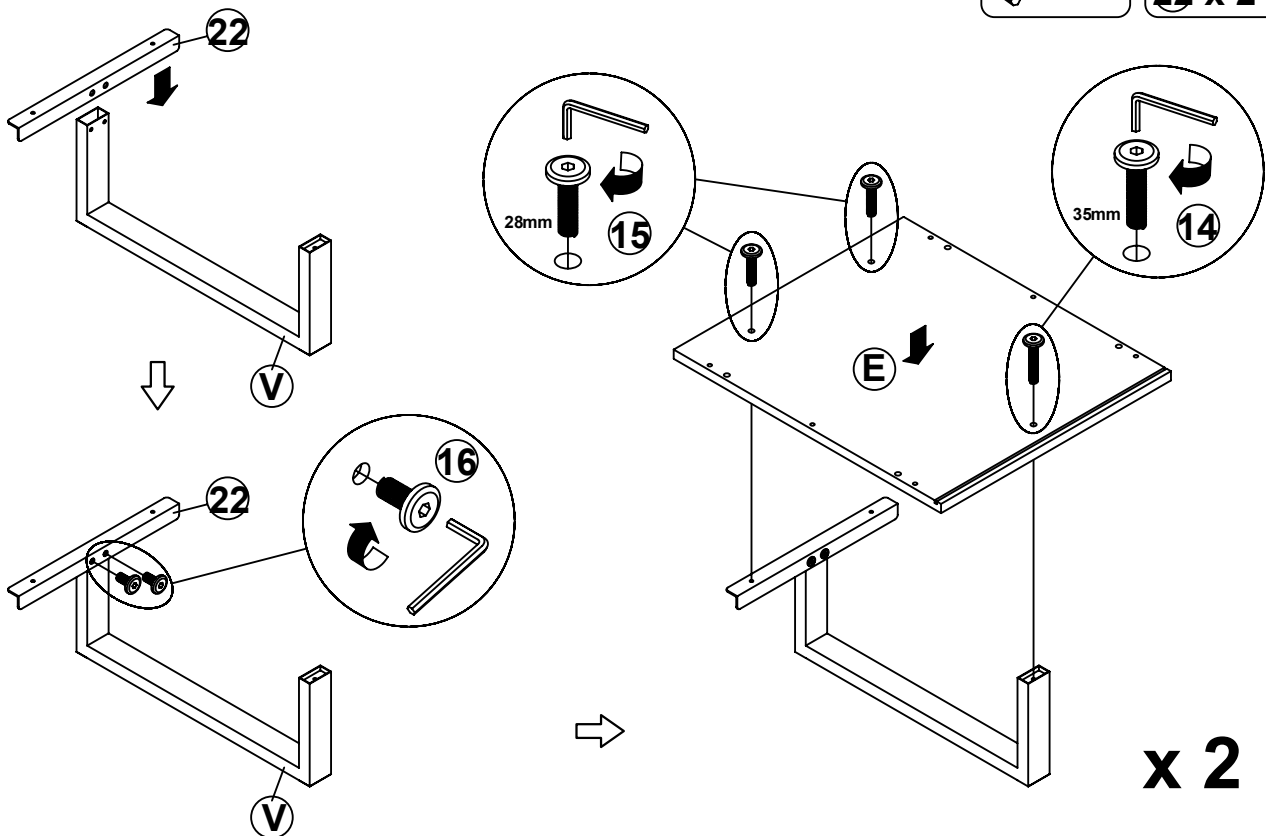
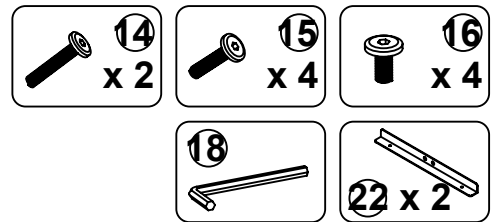
ITEM: 800521

COASTER
FINE FURNITURE

STEP 2

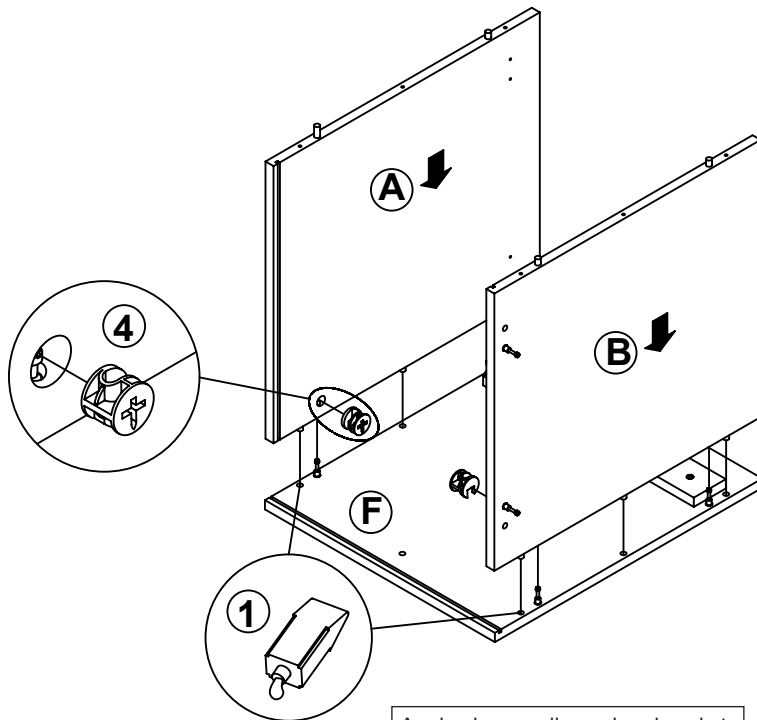
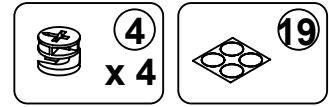


STEP 3

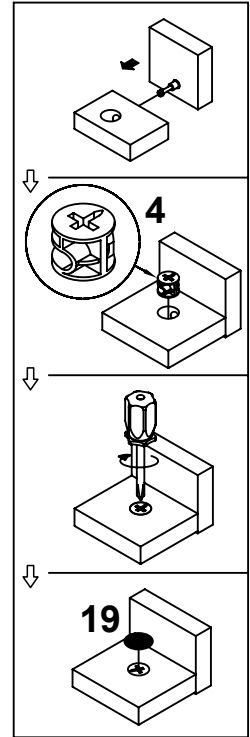


ITEM: 800521

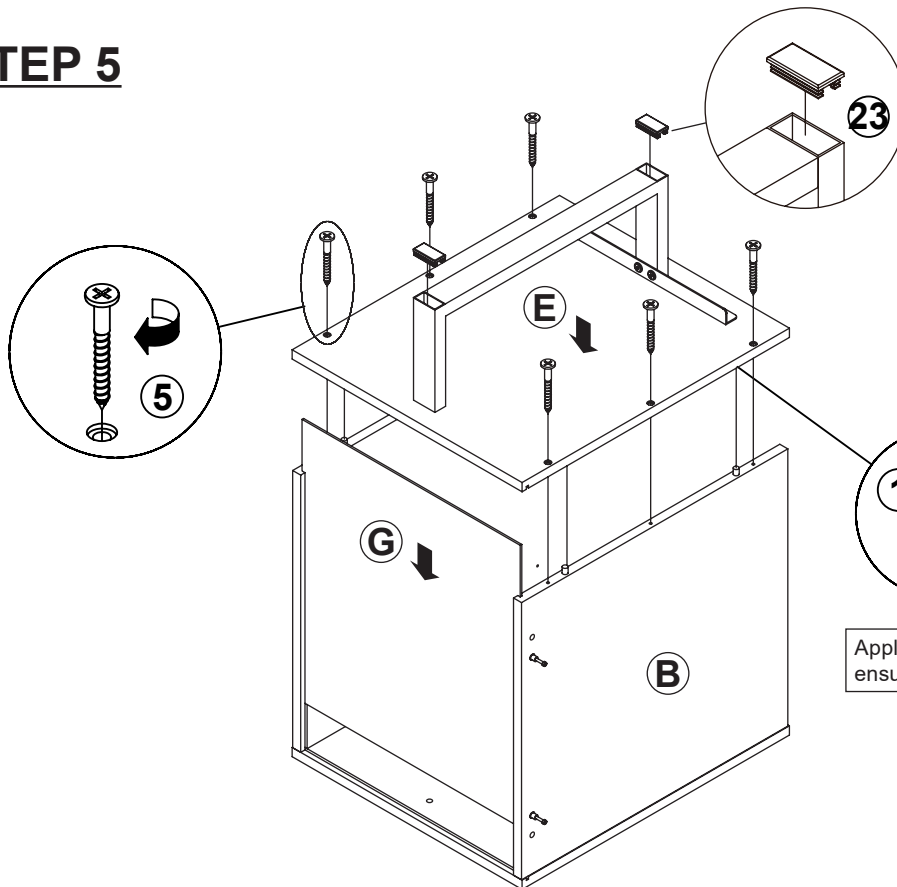
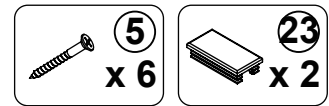
STEP 4



Apply glue on all wooden dowels to ensure integrity of the structure.



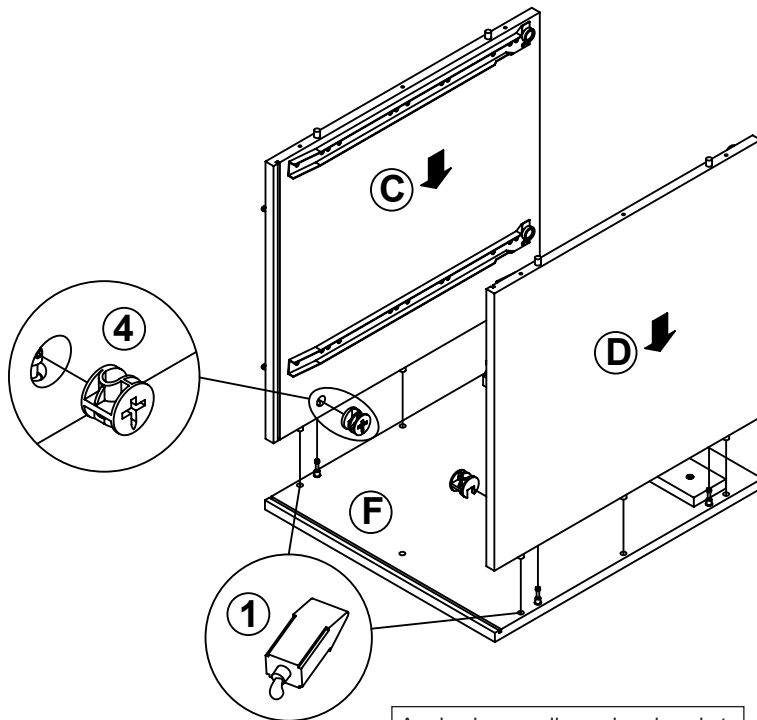
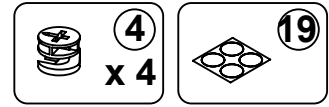
STEP 5



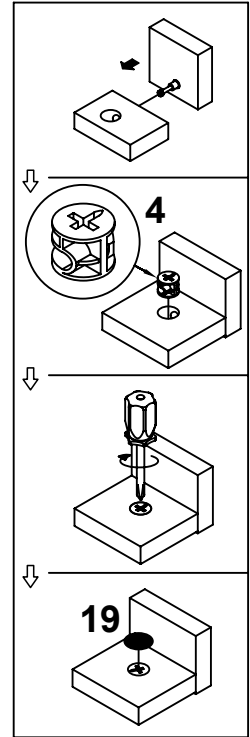
Apply glue on all wooden dowels to ensure integrity of the structure.

ITEM: 800521

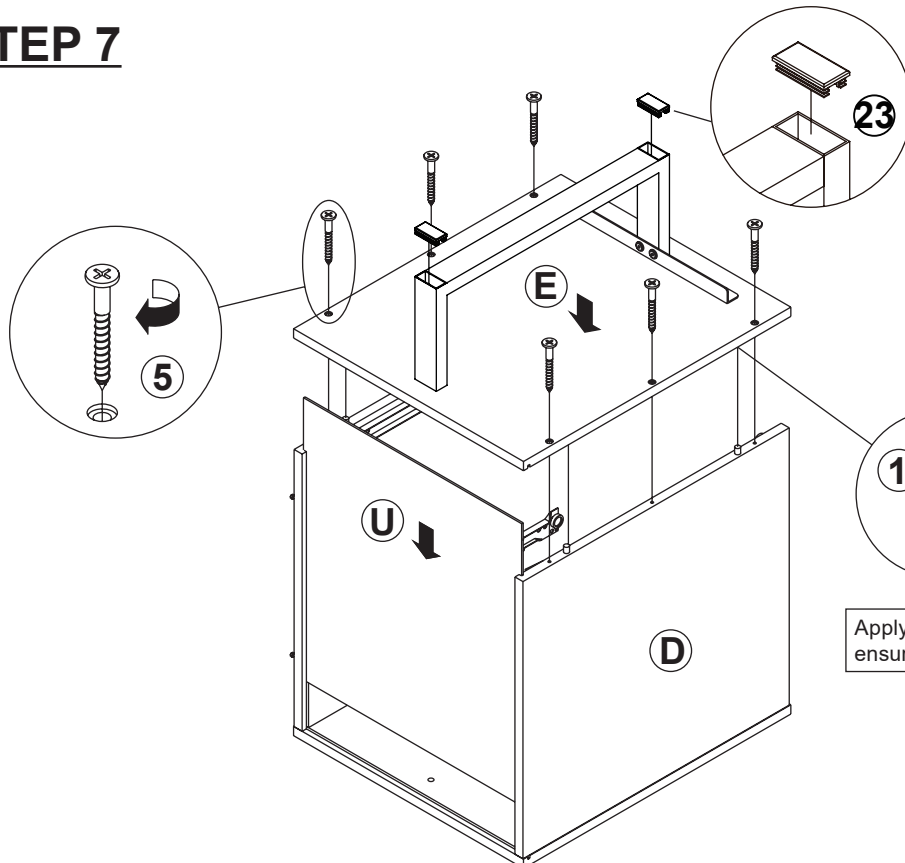
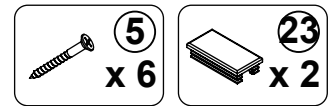
STEP 6



Apply glue on all wooden dowels to ensure integrity of the structure.



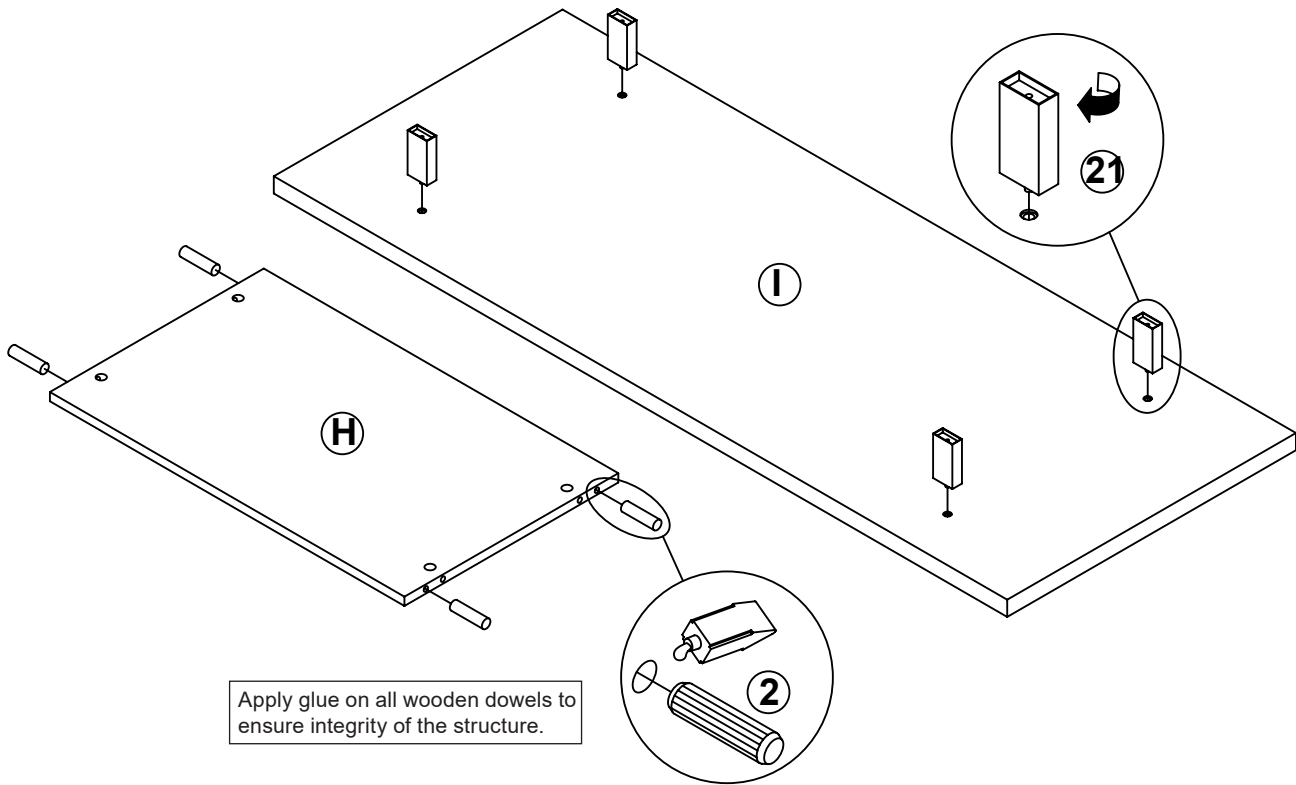
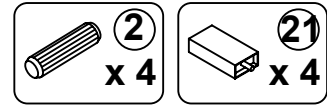
STEP 7



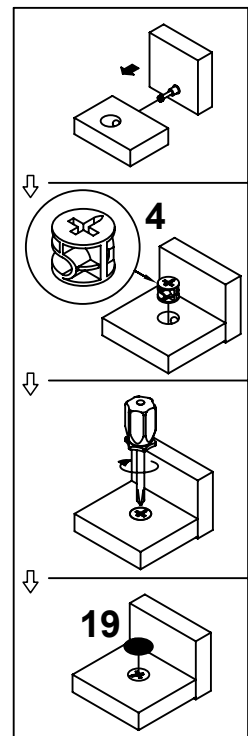
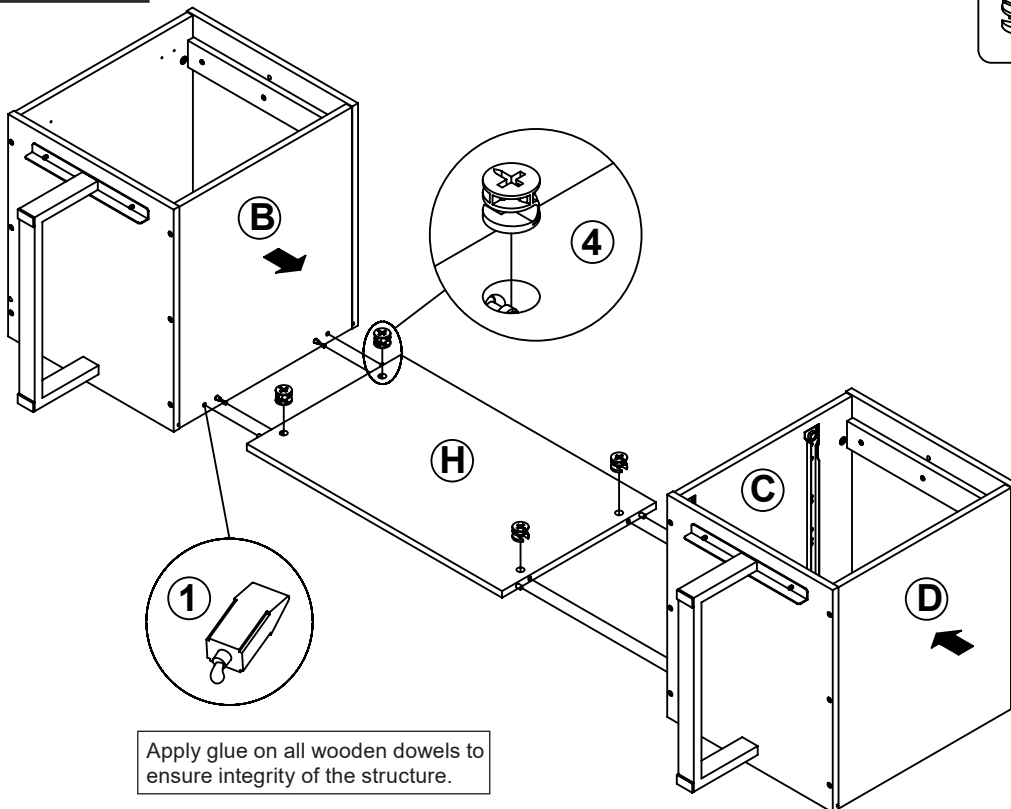
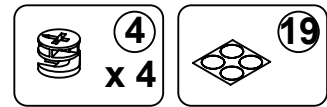
Apply glue on all wooden dowels to ensure integrity of the structure.

ITEM: 800521

STEP 8



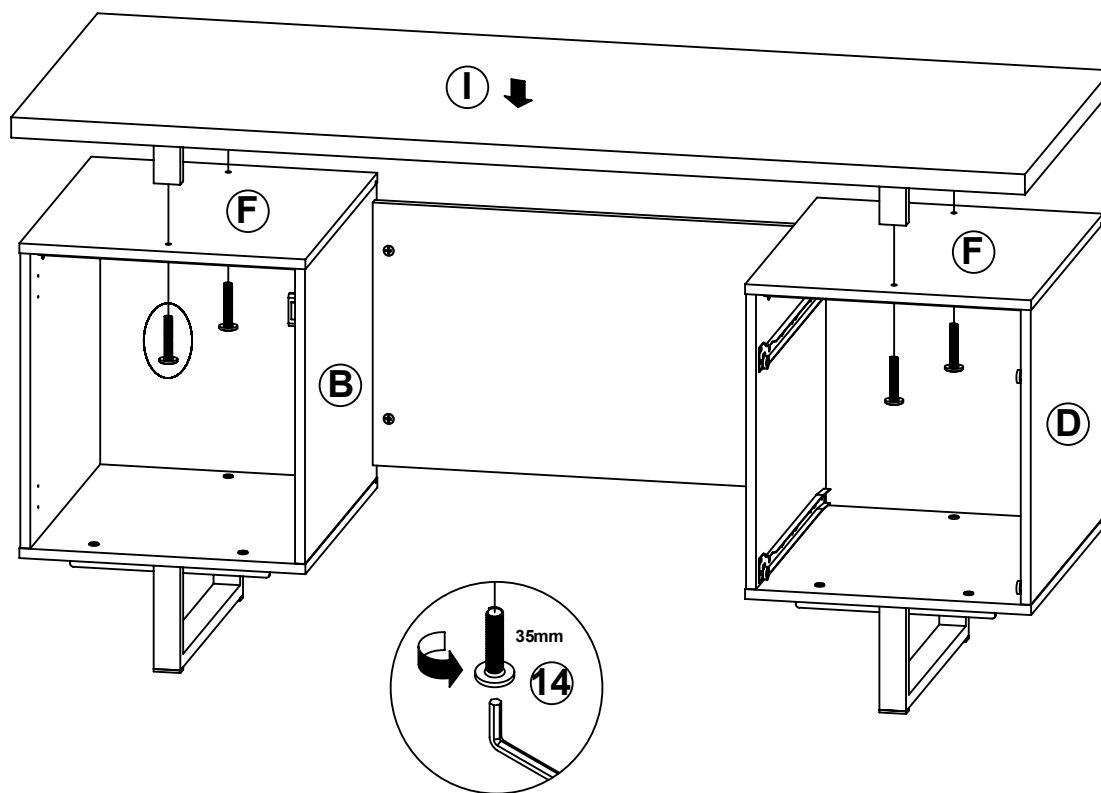
STEP 9



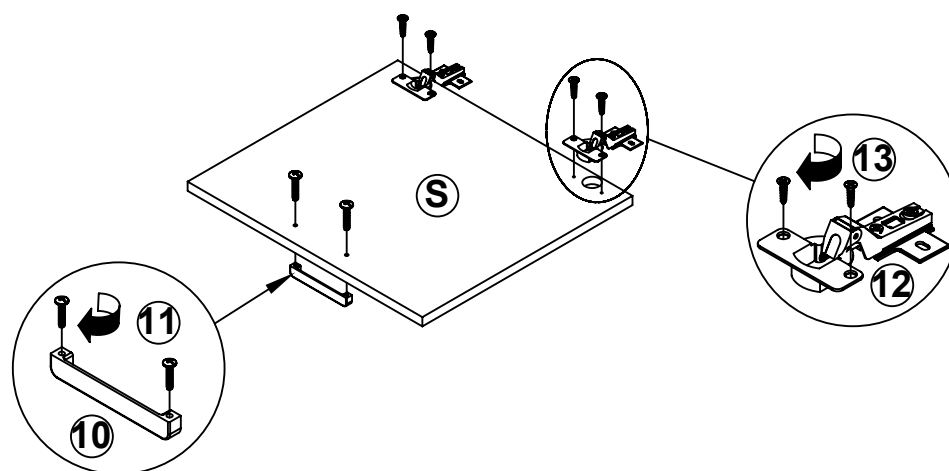
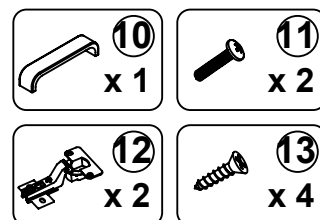
ITEM: 800521

COASTER
FINE FURNITURE

STEP 10

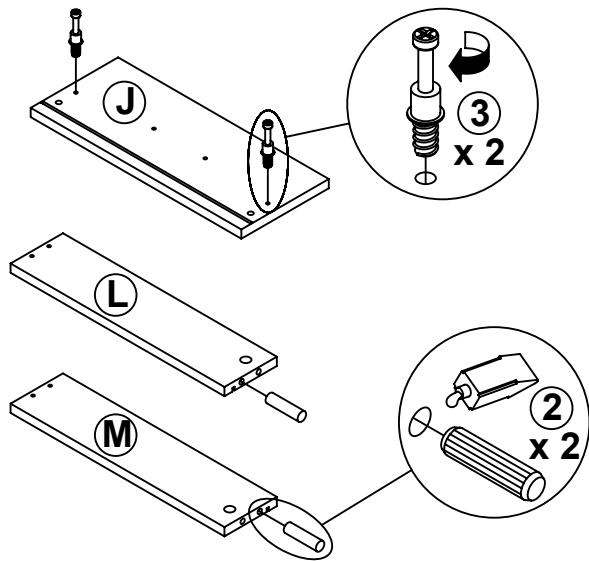


STEP 11

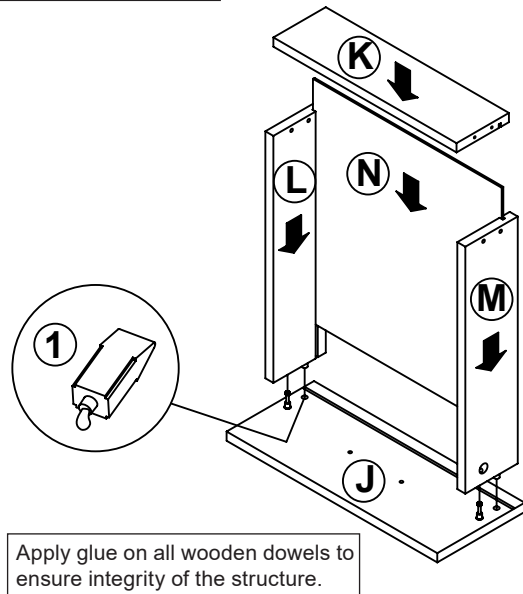


ITEM: 800521

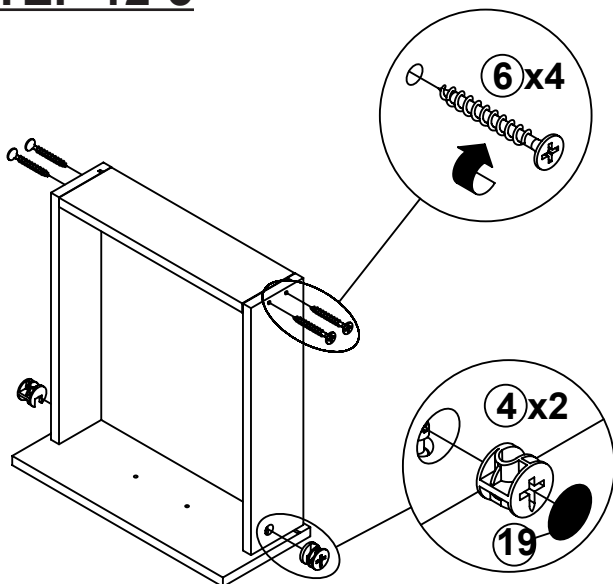
STEP 12-1



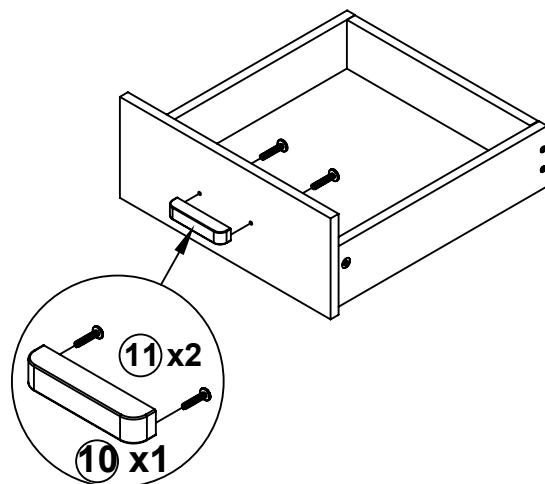
STEP 12-2



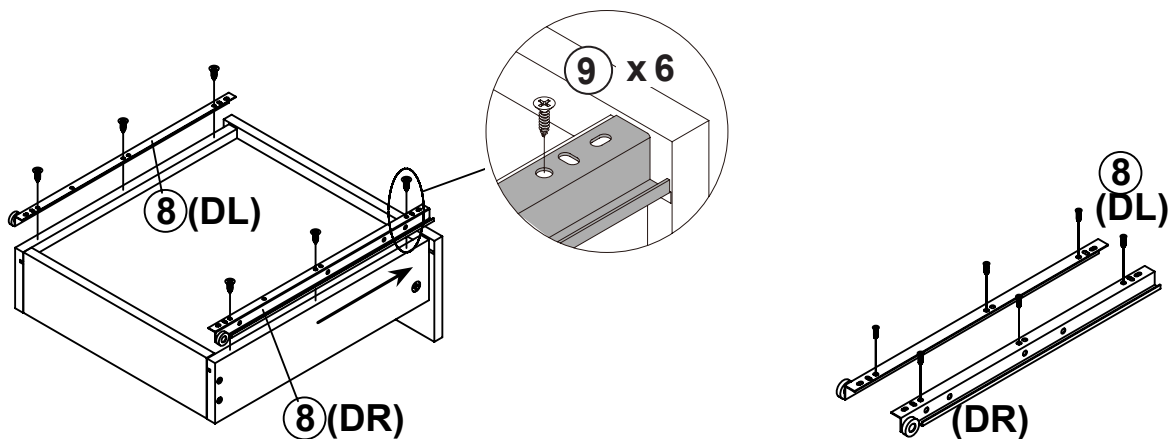
STEP 12-3



STEP 12-4

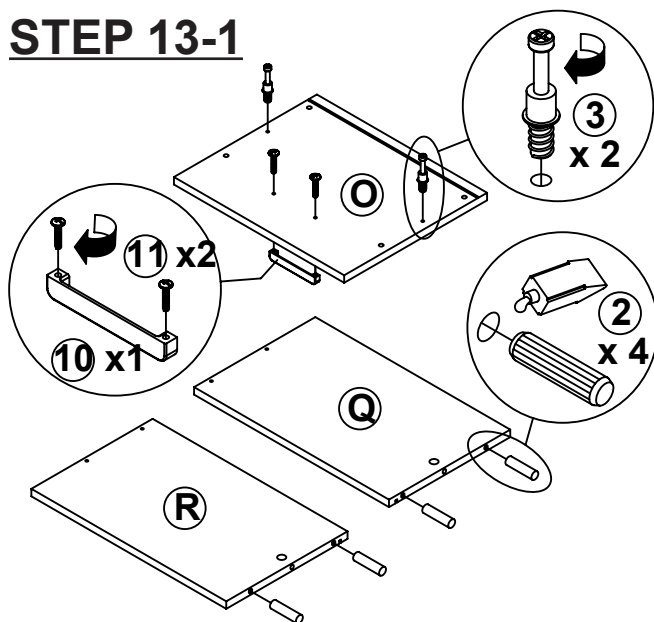


STEP 12-5

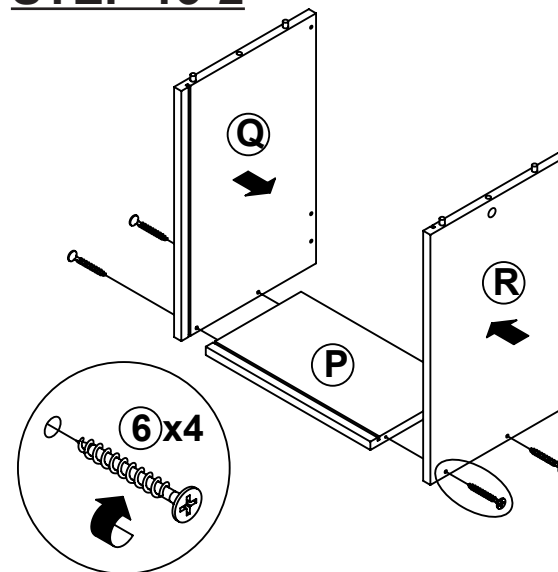


ITEM: 800521

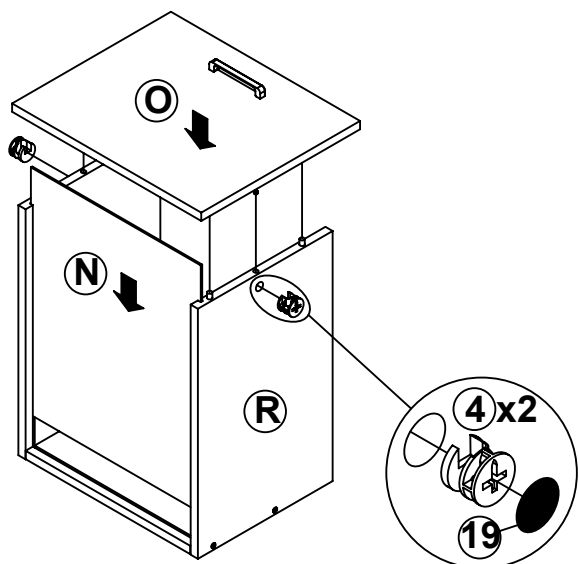
STEP 13-1



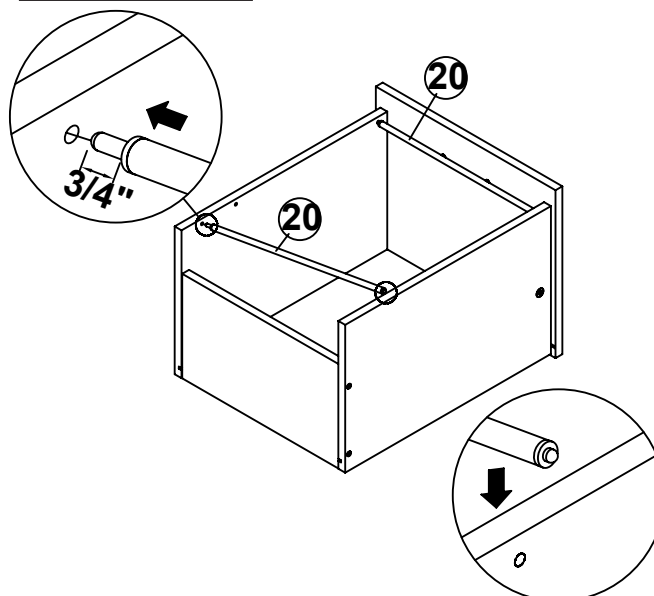
STEP 13-2



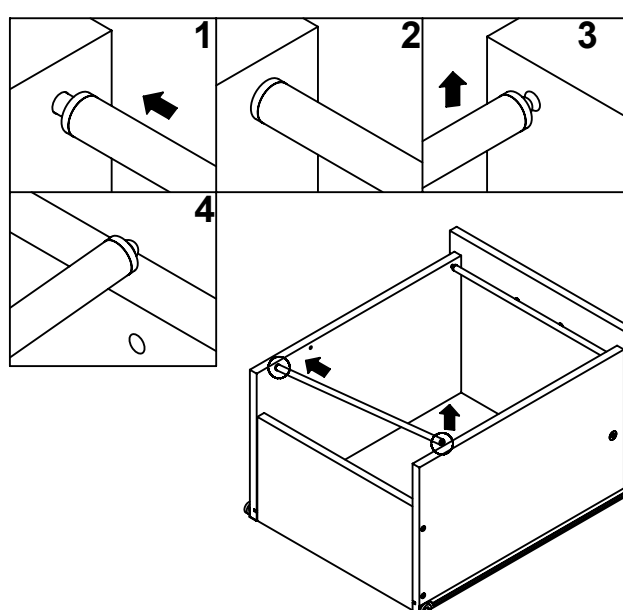
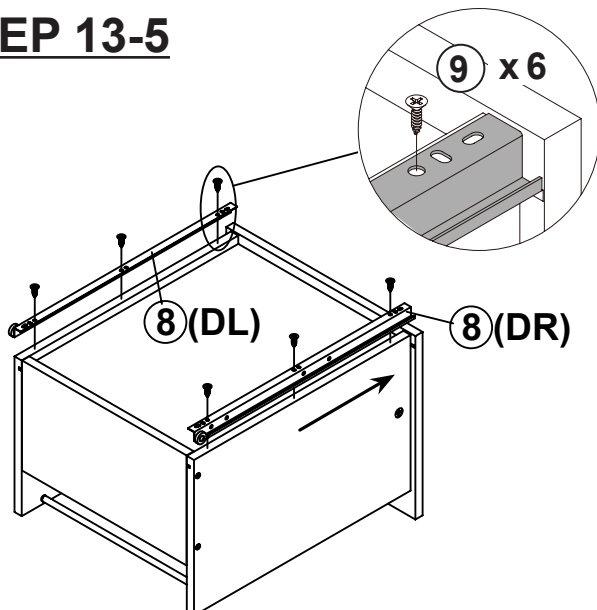
STEP 13-3



STEP 13-4

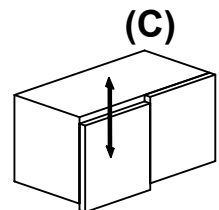
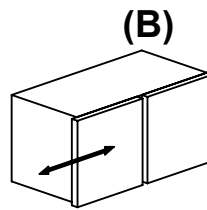
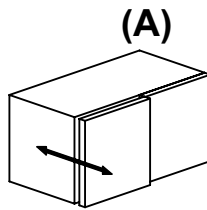
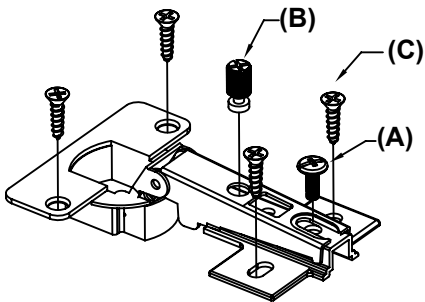
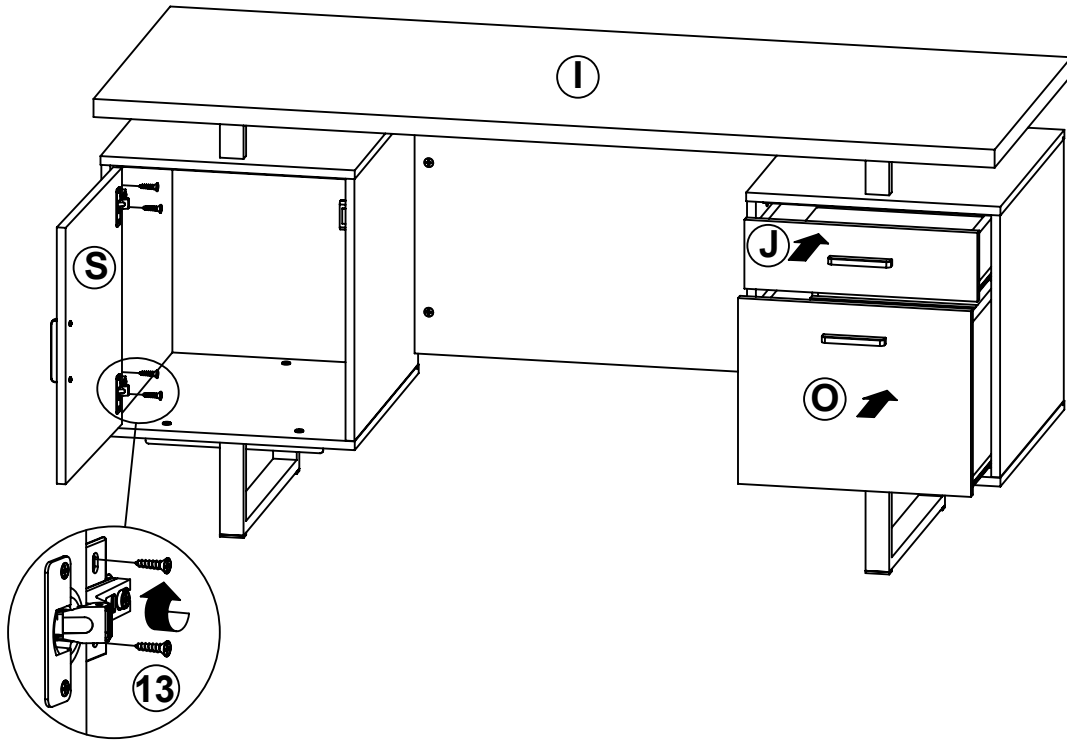
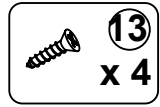


STEP 13-5



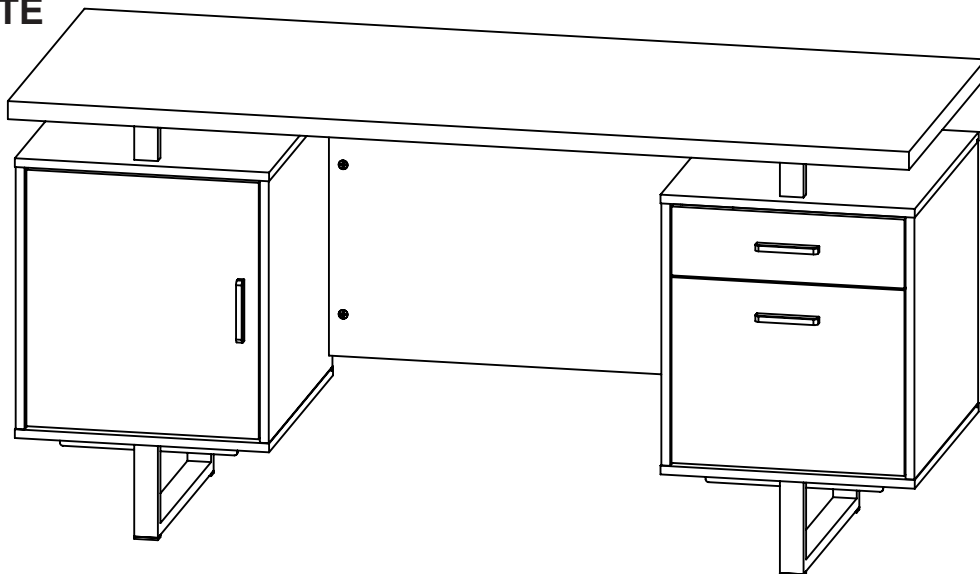
ITEM: 800521

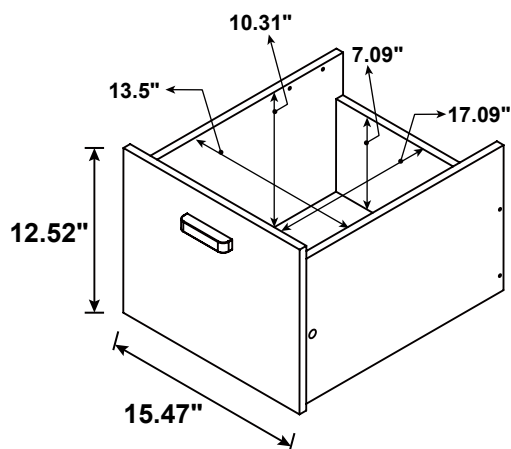
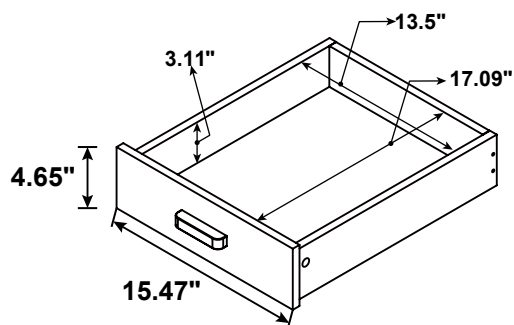
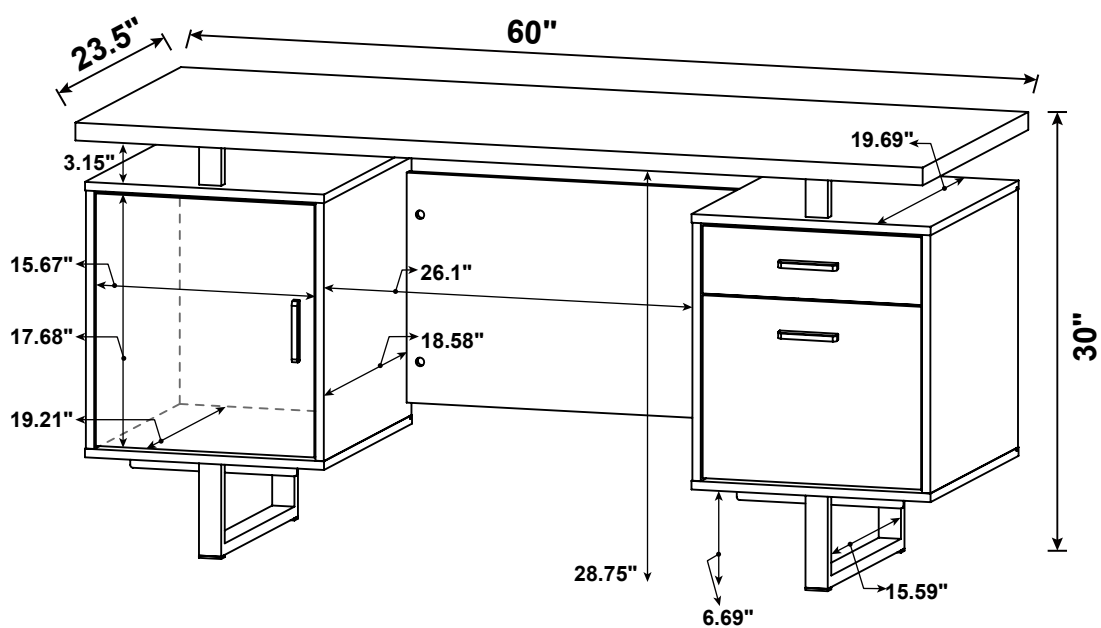
STEP 14



STEP 15

COMPLETE





Note : Dimension tolerance $\pm 5\%$