

**ASSEMBLY INSTRUCTIONS
COASTER FINE FURNITURE**



Fine Furniture for every stage of life

802269
OFFICE CHAIR

REVISION 0:04/07/2017
REVISION 1:06/05/2019
REVISION 2:11/05/2019
REVISION 3:01/07/2020
REVISION 4:07/18/2022
REVISION 5:11/12/2024

ITEM :802269



ASSEMBLY INSTRUCTIONS

ASSEMBLY TIPS:

- 1.Remove hardware from box and sort by size.
- 2.Please check to see that all hardware and parts are present prior to start of assembly.
- 3.Please follow attached instructions in the same sequence as numbered to assure fast & easy assembly.











WARNING !

- 1.Don't attempt to repair or modify parts that are broken or defective. Please contact the store immediately.
- 2.This product is for home uses only and not intended for commercial establishments.







ASSEMBLY TIME 20 MINUTES

PARTS IDENTIFICATION

A		BACK	1PC
B		SEAT	1PC
C		CASTER	5PCS
D		BASE	1PC
E		RIGHT ARMREST	1PC
F		LEFT ARMREST	1PC
G		GAS LIFT	1PC
H		MECHANISM	1PC

HARDWARE IDENTIFICATION

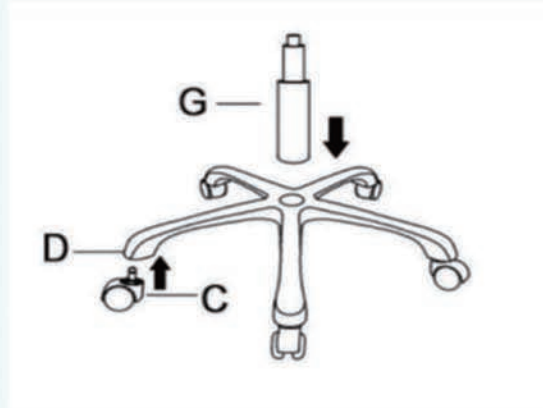
NO.	DESCRIPTION	FIGURE	Q'TY
1	WASHER	 M6*18*1.2	8PCS
2	LONG BOLT	 M6*40	8PCS
3	BOLT	 M6*20	4PCS
4	ALLEN WRENCH	 M6	1PCS

ITEM:802269

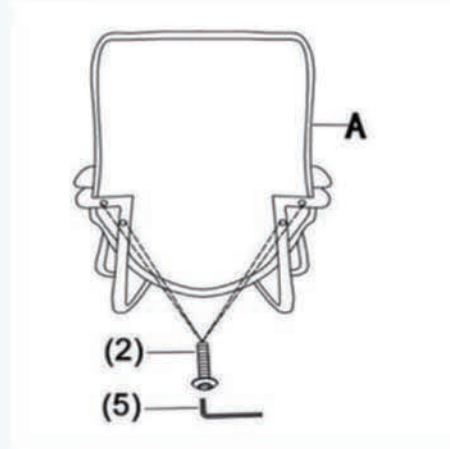


ASSEMBLY INSTRUCTIONS

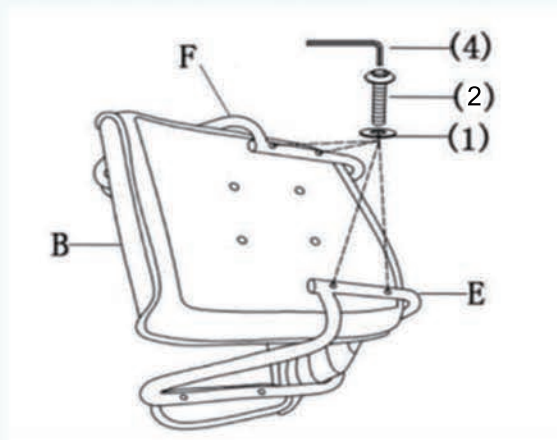
STEP1



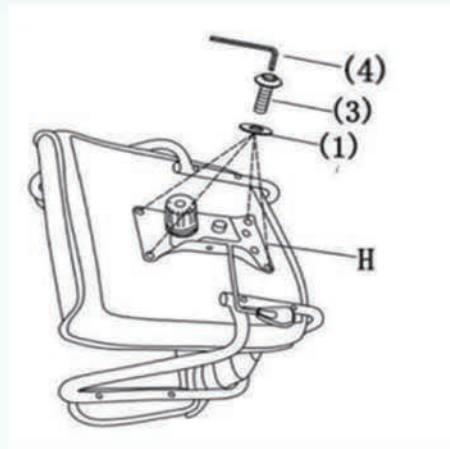
STEP2



STEP3



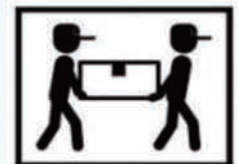
STEP4



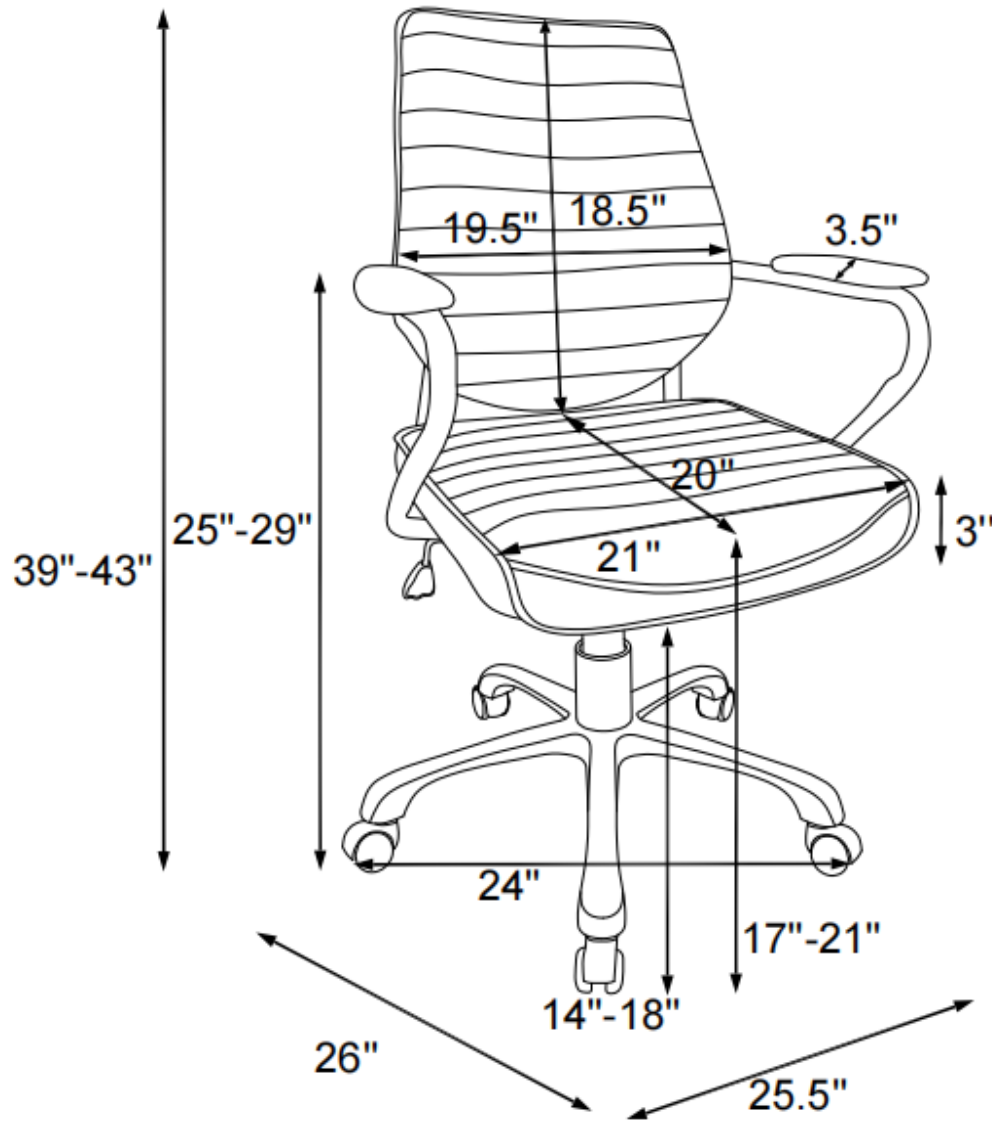
STEP5



STEP6



ITEM: 802269



Note : Dimension tolerance $\pm 5\%$