

*ASSEMBLY INSTRUCTIONS*  
*COASTER FINE FURNITURE*



*Fine Furniture for every stage of life*

**930218**  
**VANITY SET**

ITEM:930218



# ASSEMBLY INSTRUCTIONS

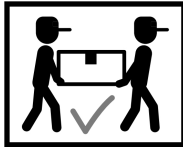
## ASSEMBLY TIPS:

1. Remove hardware from box and sort by size.
2. Please check to see that all hardware and parts are present prior to start of assembly.
3. Please follow attached instructions in the same sequence as numbered to assure fast & easy assembly.



### WARNING!

1. Don't attempt to repair or modify parts that are broken or defective. Please contact the store immediately.
2. This product is for home use only and not intended for commercial establishments.



ASSEMBLY TIME 99 MINUTES

## PARTS IDENTIFICATION

B2: VANITY BASE

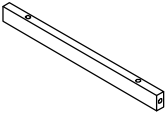
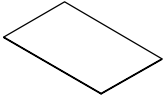
A	TOP PANEL		1PC	F	LEFT BOTTOM PANEL		1PC
B	LEFT PANEL		1PC	G	LEFT BACK PANEL		1PC
C	RIGHT PANEL		1PC	H	RIGHT FRONT PANEL		1PC
D	MIDDLE PANEL		1PC	I	RIGHT MIDDLE PANEL		1PC
E	LEFT FRONT PANEL		1PC	J	RIGHT BOTTOM PANEL		1PC


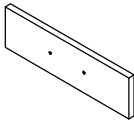
ITEM:930218

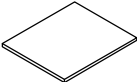



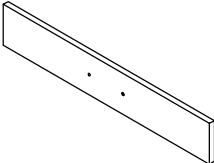
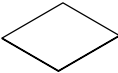
# ASSEMBLY INSTRUCTIONS

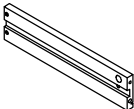
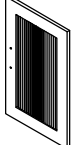
## PARTS IDENTIFICATION

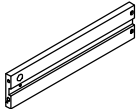
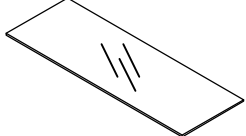
K RIGHT BOTTOM SUPPORT PANEL  2PCS R LARGE DRAWER BOTTOM PANEL  1PC

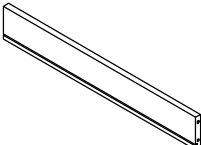
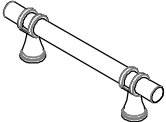
L RIGHT BACK PANEL  1PC S SMALL DRAWER FRONT PANEL  1PC

M SHELF PANEL  1PC T SMALL DRAWER BACK PANEL  1PC

N LARGE DRAWER FRONT PANEL  1PC U SMALL DRAWER BOTTOM PANEL  1PC

O DRAWER LEFT PANEL  2PCS V DOOR PANEL  1PC

P DRAWER RIGHT PANEL  2PCS A1 TOP GLASS  1PC

Q LARGE DRAWER BACK PANEL  1PC A2 HANDLE  5PCS

ITEM:930218

# ASSEMBLY INSTRUCTIONS

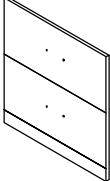
## PARTS IDENTIFICATION



A3 HINGE  2PCS

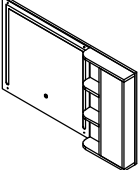
A4 POWER ADAPTER  1PC

B1: VANITY TOP, STOOL

A5 CHAIR FRONT PANEL  1PC

A10 CUSHION SEAT  1PC

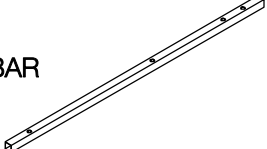
A6 CHAIR LEFT PANEL  1PC

A11 VANITY TOP  1PC

A7 CHAIR RIGHT PANEL  1PC

A12 CHAIR CROSSBAR  2PCS

A8 CHAIR BOTTOM PANEL  1PC

A13 BACK CROSSBAR  2PCS

A9 CHAIR BACK PANEL  1PC

A14 WHEEL  4PCS




















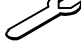

ITEM:930218

# ASSEMBLY INSTRUCTIONS



Z

## HARDWARE IDENTIFICATION

1	CAM BOLT (35MM)		34PCS	12	SUCTION CUP		6PCS
2	SMALL CAM BOLT (33MM)		3PCS	13	SHORT SCREW		12PCS
3	CAM-LOCK (Ø15MM)		33PCS	14	STICKER		24PCS
4	SMALL CAM-LOCK (Ø12MM)		4PCS	15	SHELF PIN		4PCS
5	WOOD DOWEL (8 x 30mm)		43PCS	16	FOOT PIN		6PCS
6	SMALL WOOD DOWEL (6 x 30mm)		4PCS	17	CAP (16 x 16mm WHT)		4PCS
7	LONG SCREW (8 x 38mm)		8PCS	18	GLUE		1PC
8	DRAWER BOLT (5/32" x 10mm)		4PCS	19	HOOK		3PCS
9	HANDLE BOLT (M4 x 20mm)		10PCS	20	ALLEN WRENCH (4mm)		1PC
10	COARSE THREAD SCREWS (7# x 50mm)		4PCS	21	HEXAGONAL KEY (8mm)		1PC
11	BOLT (1/4" x 25mm)		16PCS				

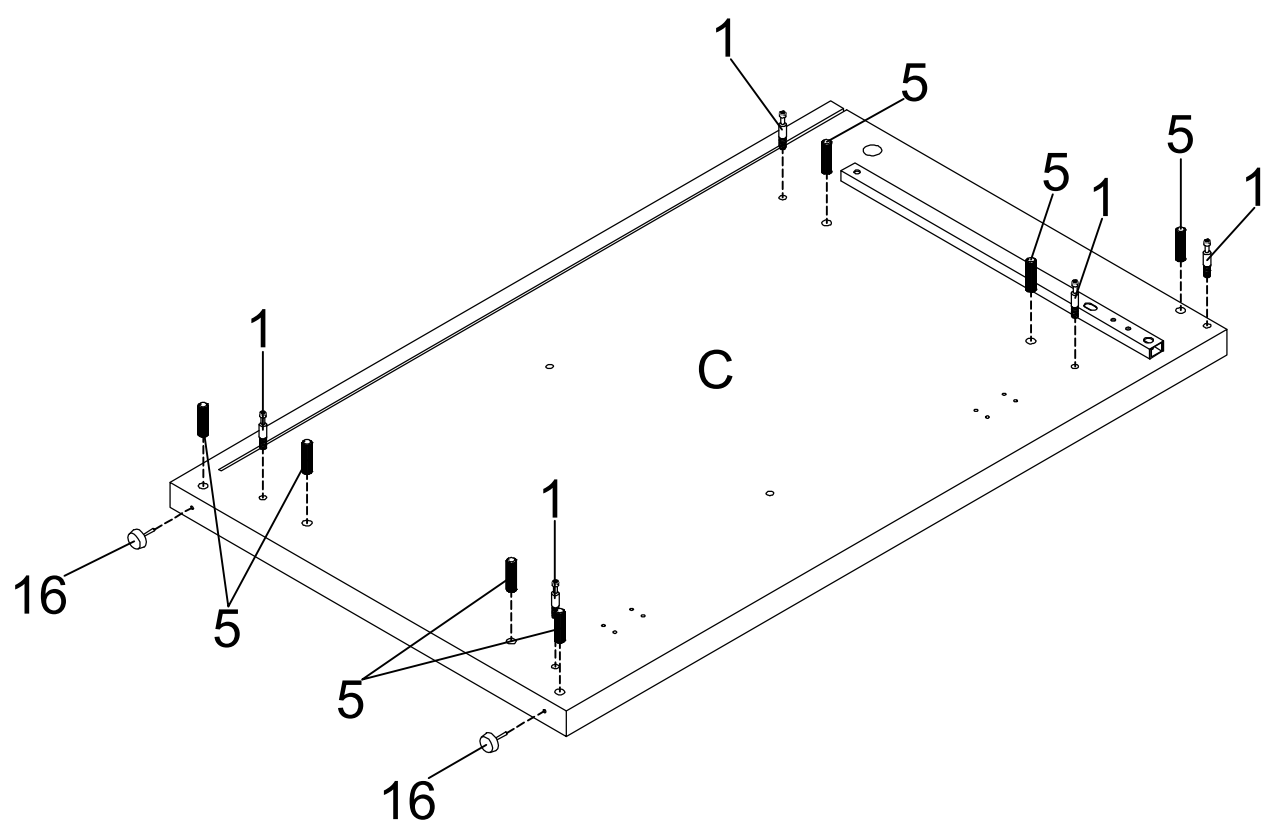
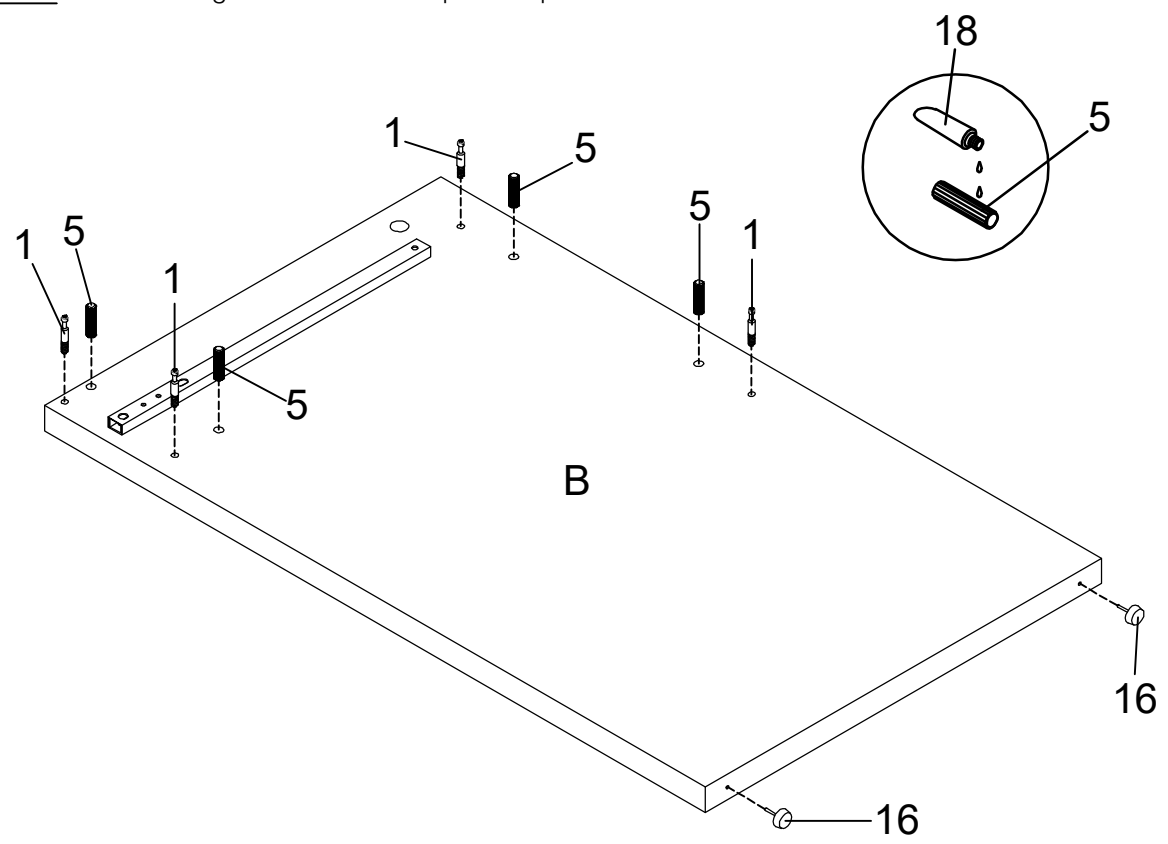
Hardware pack is located in 930218B2

ITEM:930218



# ASSEMBLY INSTRUCTIONS

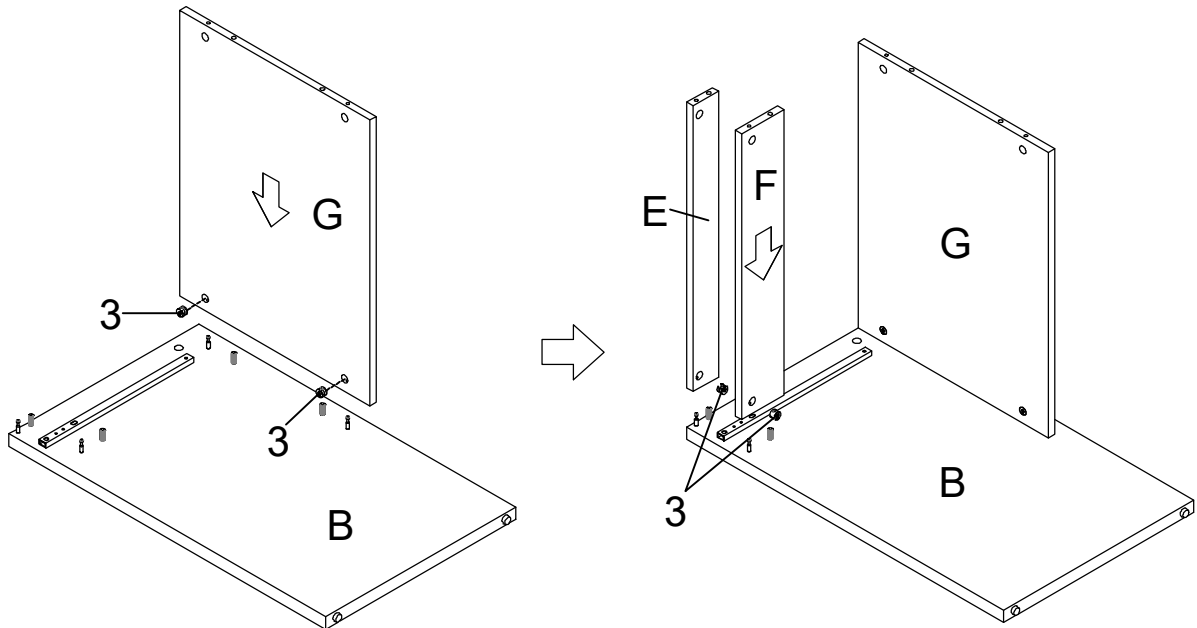
**STEP 1** Do not tighten until each step is completed or instructed.



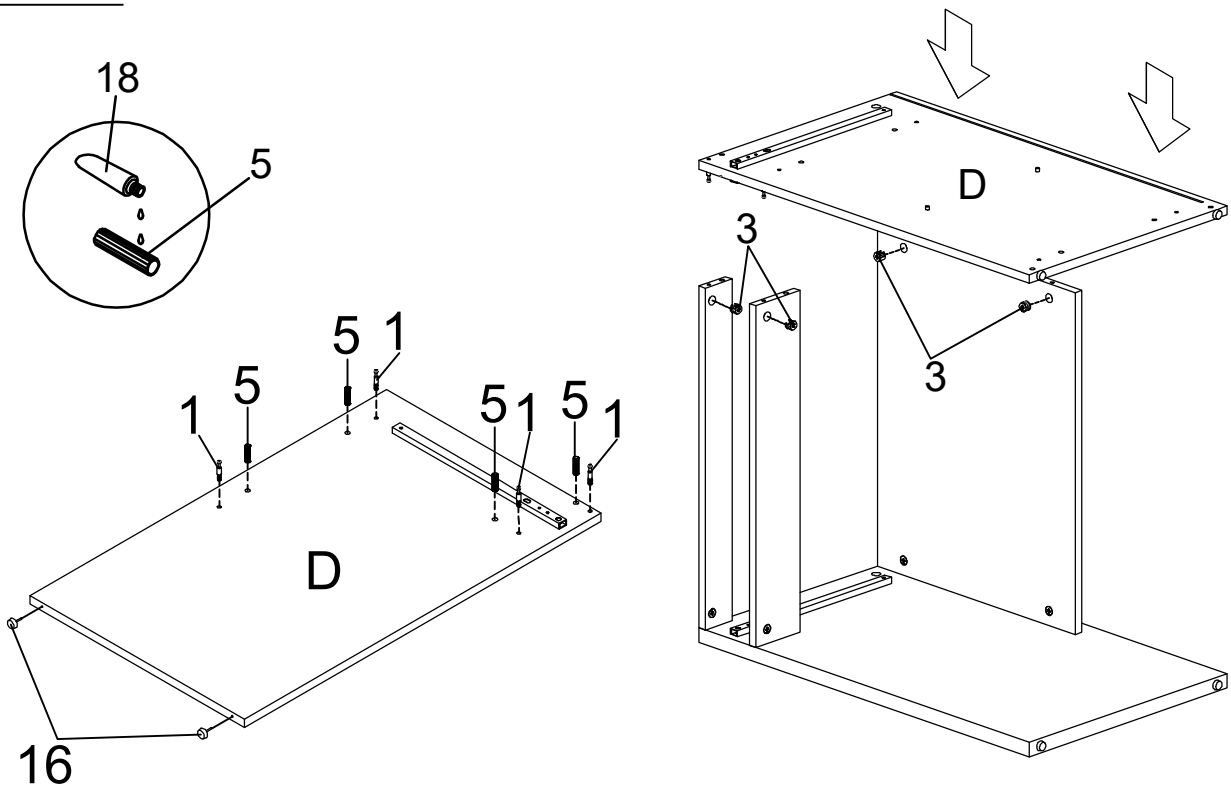
ITEM:930218

# ASSEMBLY INSTRUCTIONS

## STEP 2



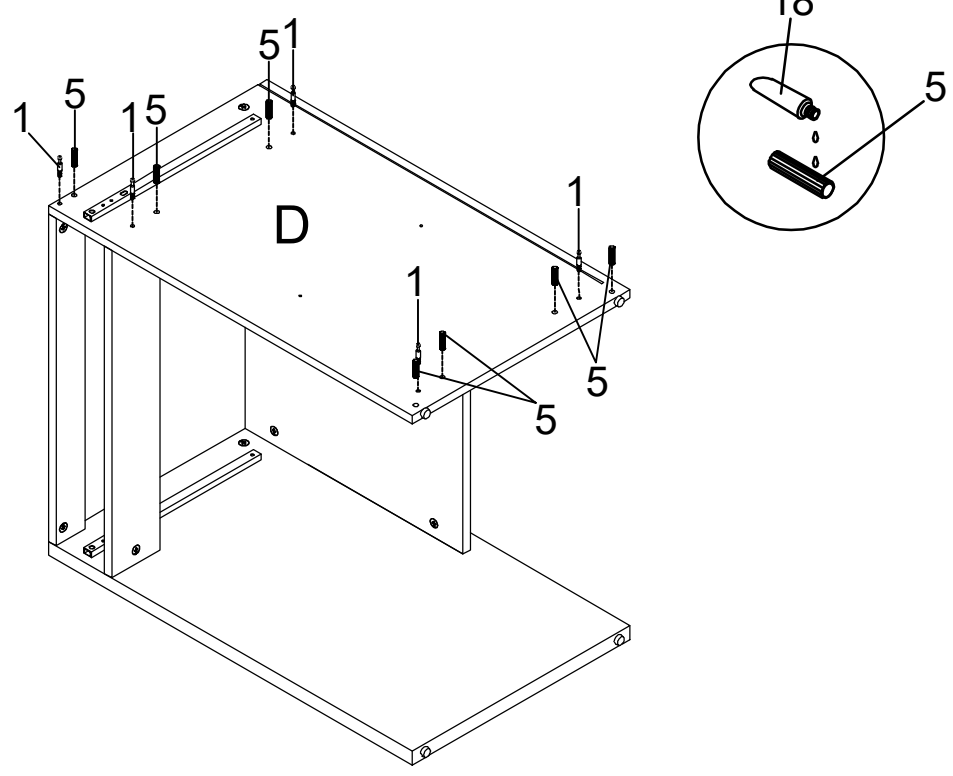
## STEP 3



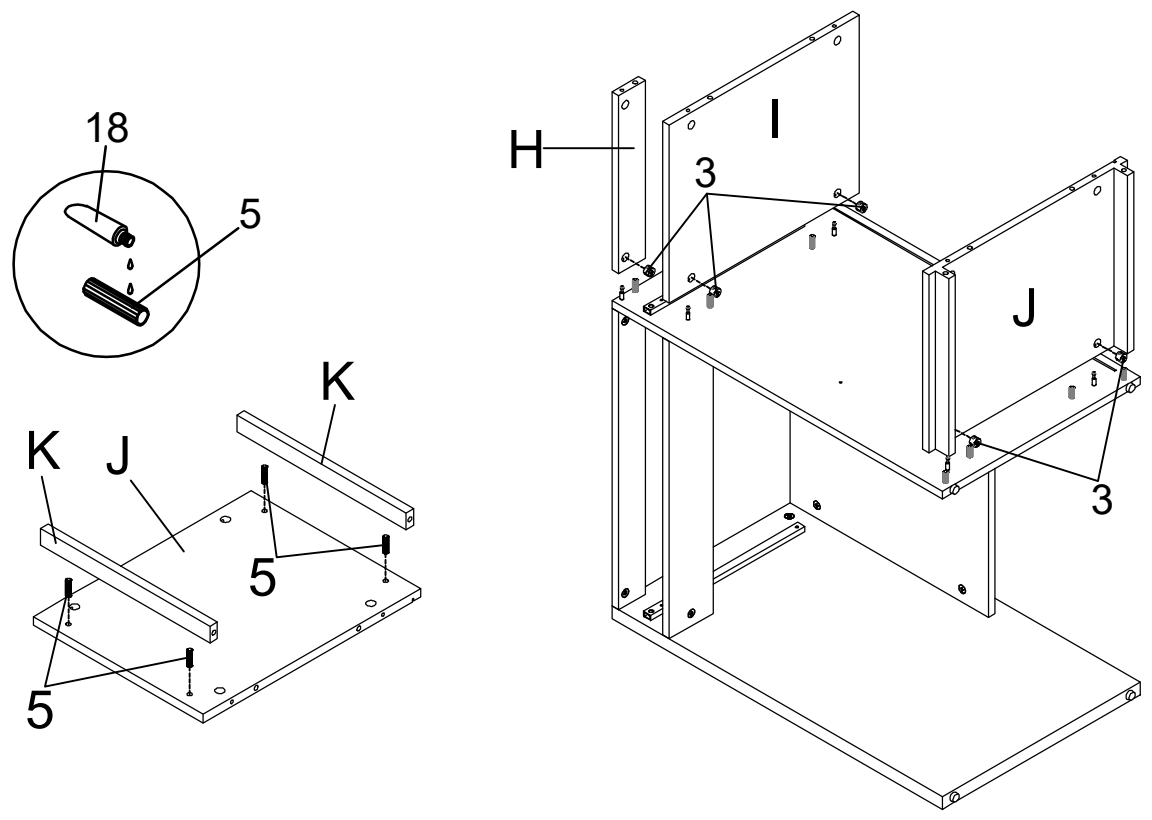
# ITEM:930218 ASSEMBLY INSTRUCTIONS



## STEP 4



## STEP 5

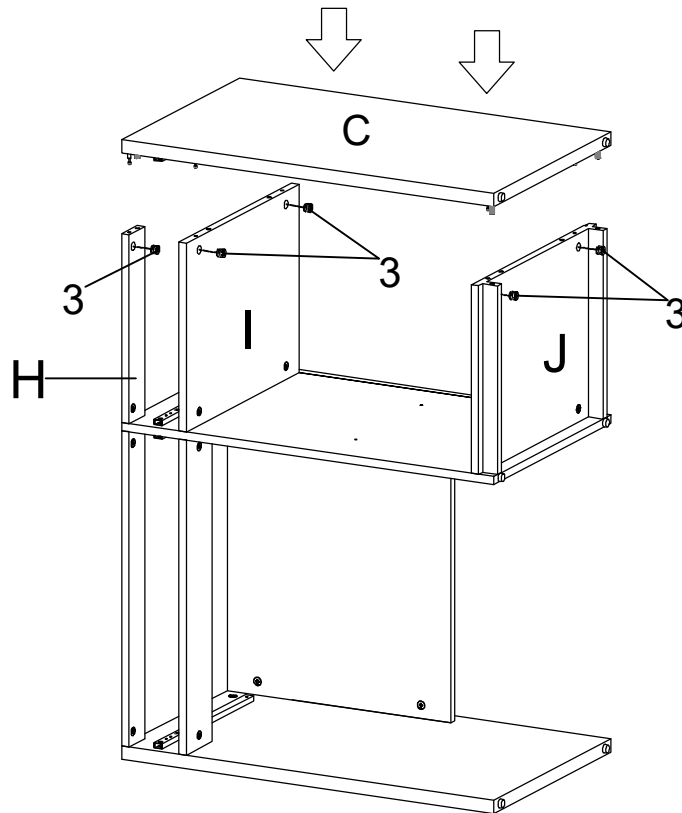




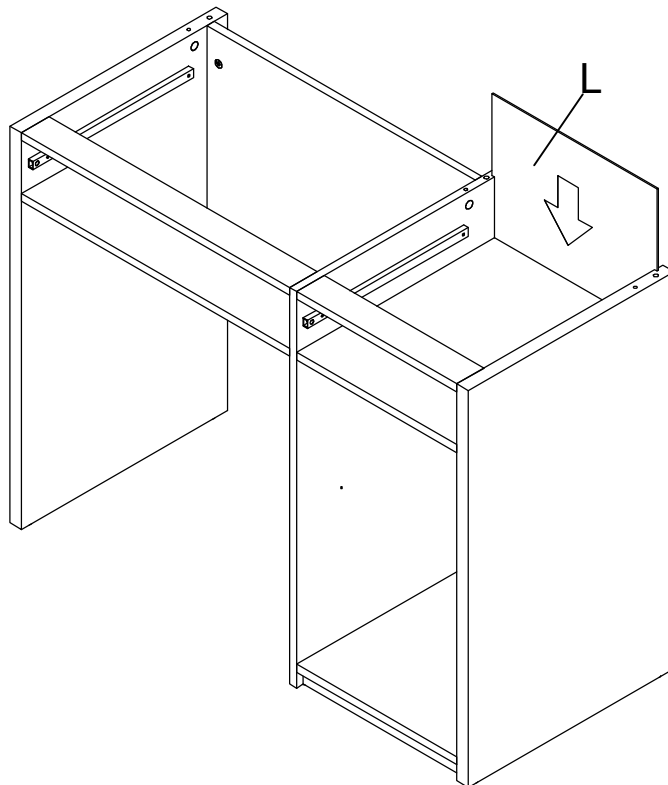
ITEM:930218  
ASSEMBLY INSTRUCTIONS



STEP 6



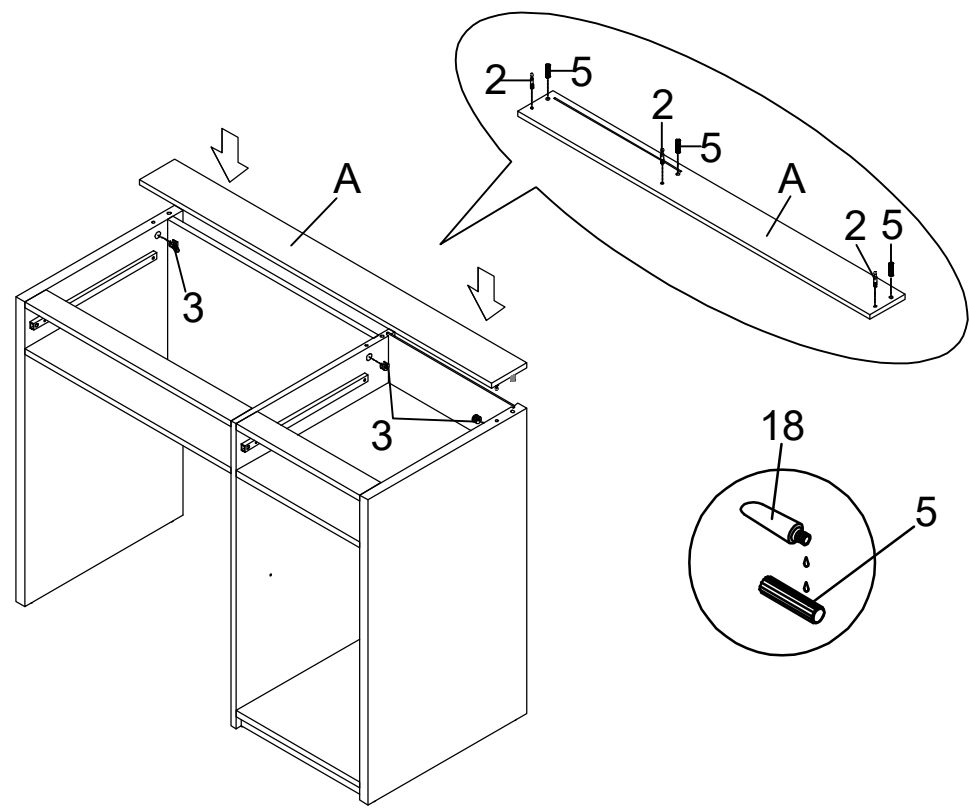
STEP 7



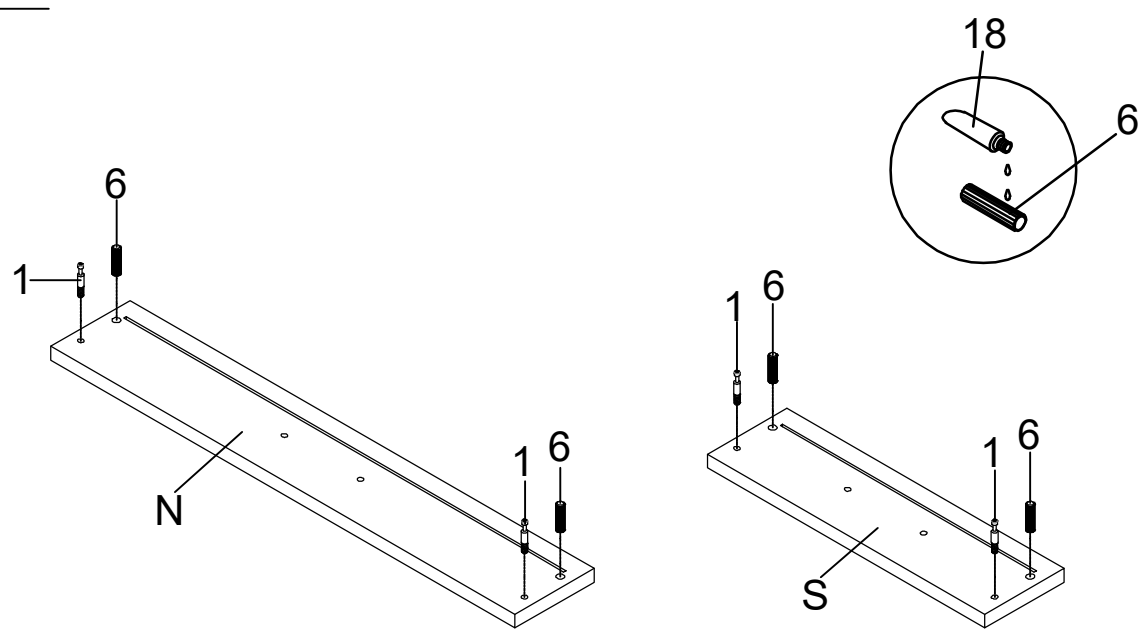
ITEM:930218  
ASSEMBLY INSTRUCTIONS



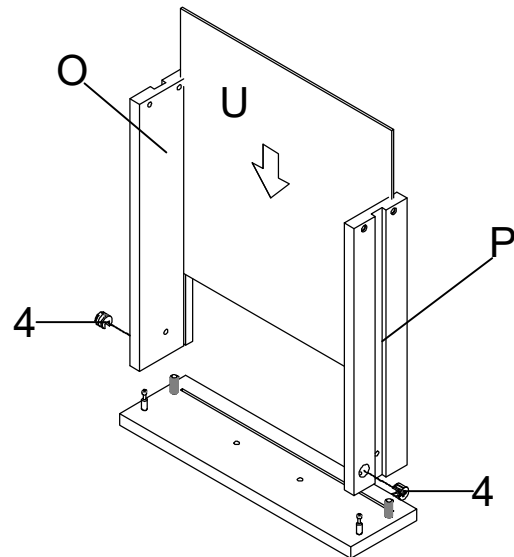
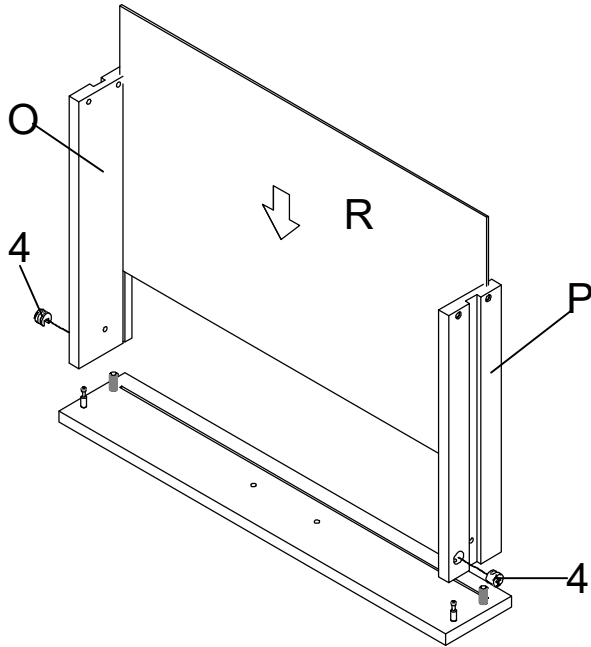
STEP 8



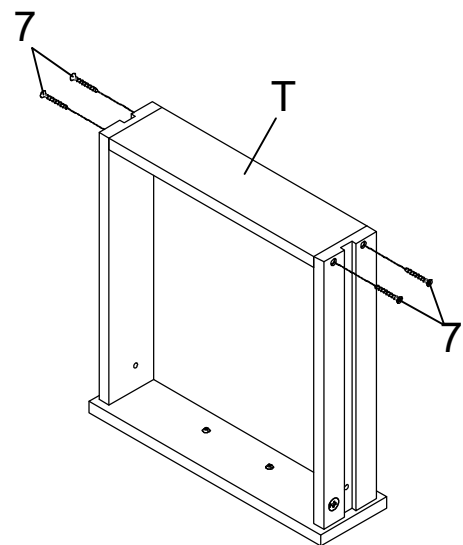
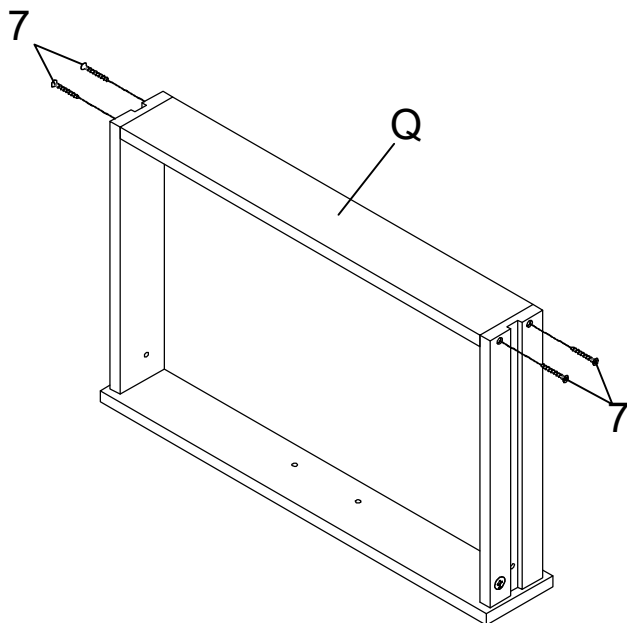
STEP 9



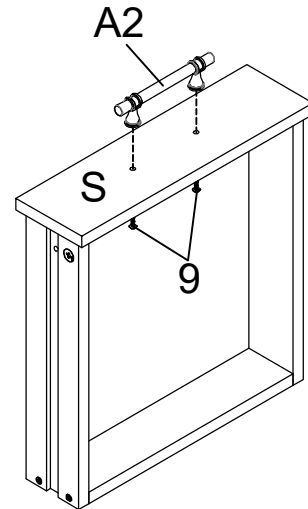
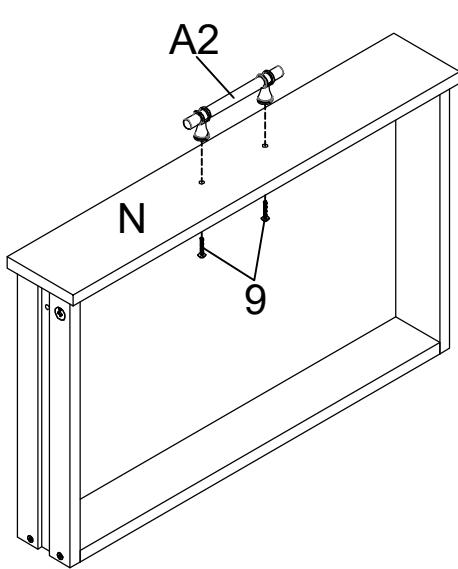
ITEM:930218  
ASSEMBLY INSTRUCTIONS  
STEP 10



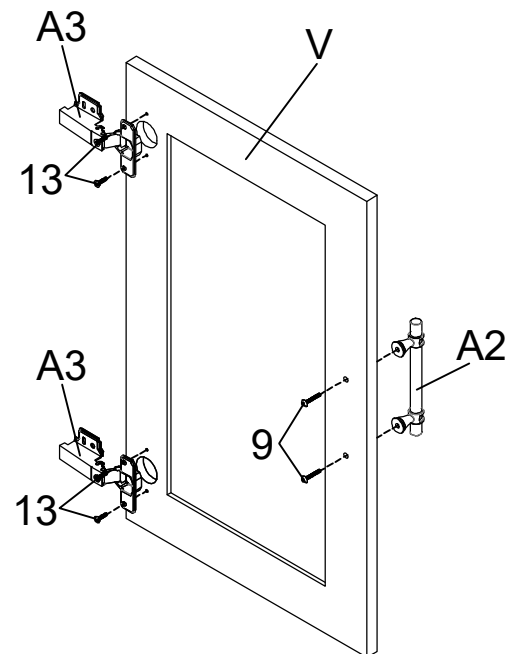
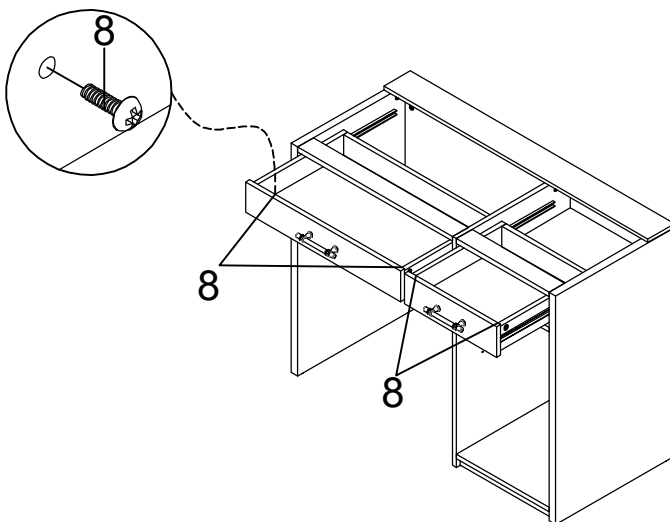
STEP 11



ITEM:930218  
ASSEMBLY INSTRUCTIONS  
STEP 12



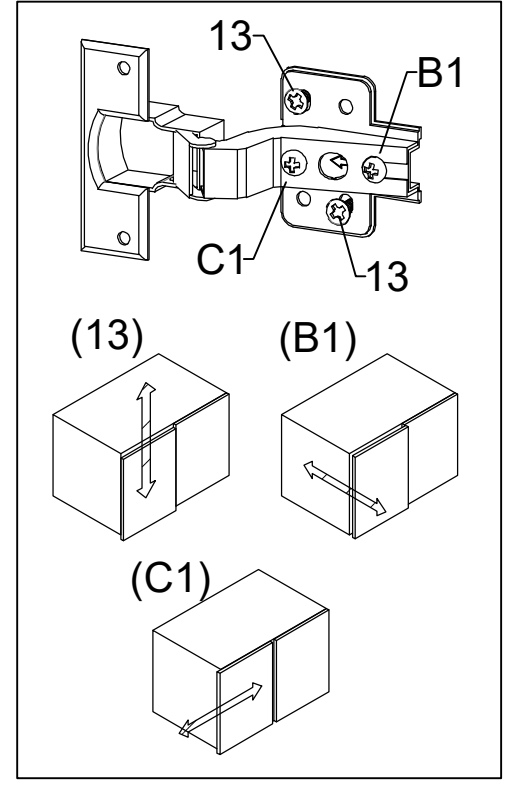
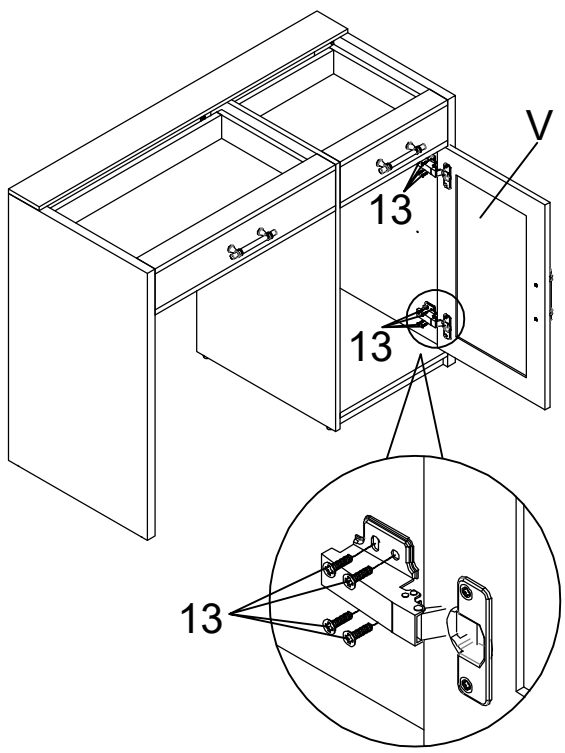
STEP 13



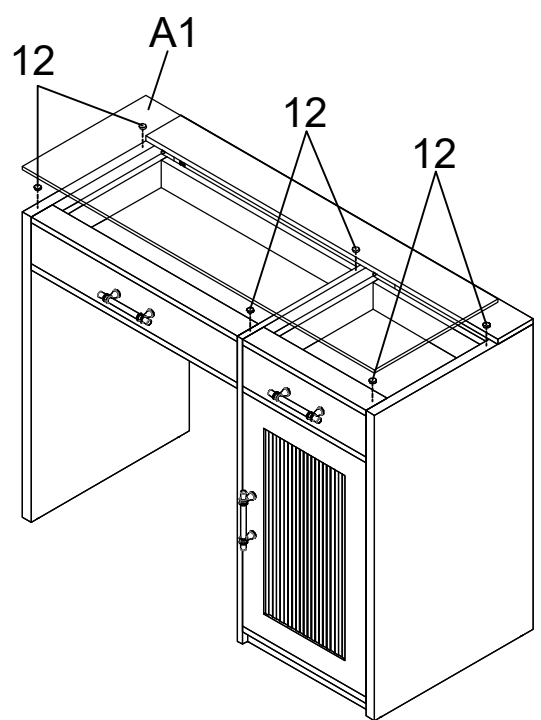
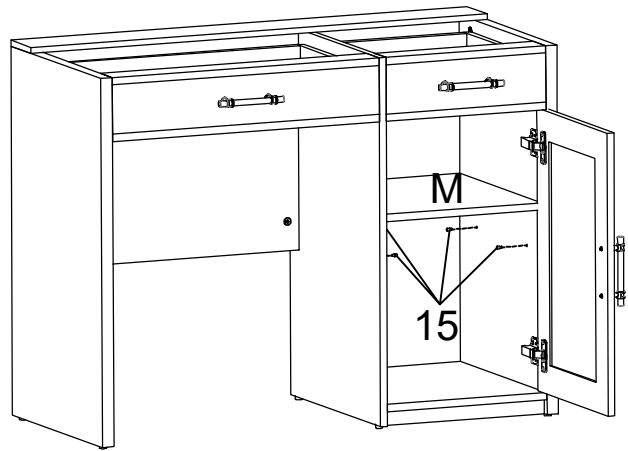
# ITEM:930218 ASSEMBLY INSTRUCTIONS



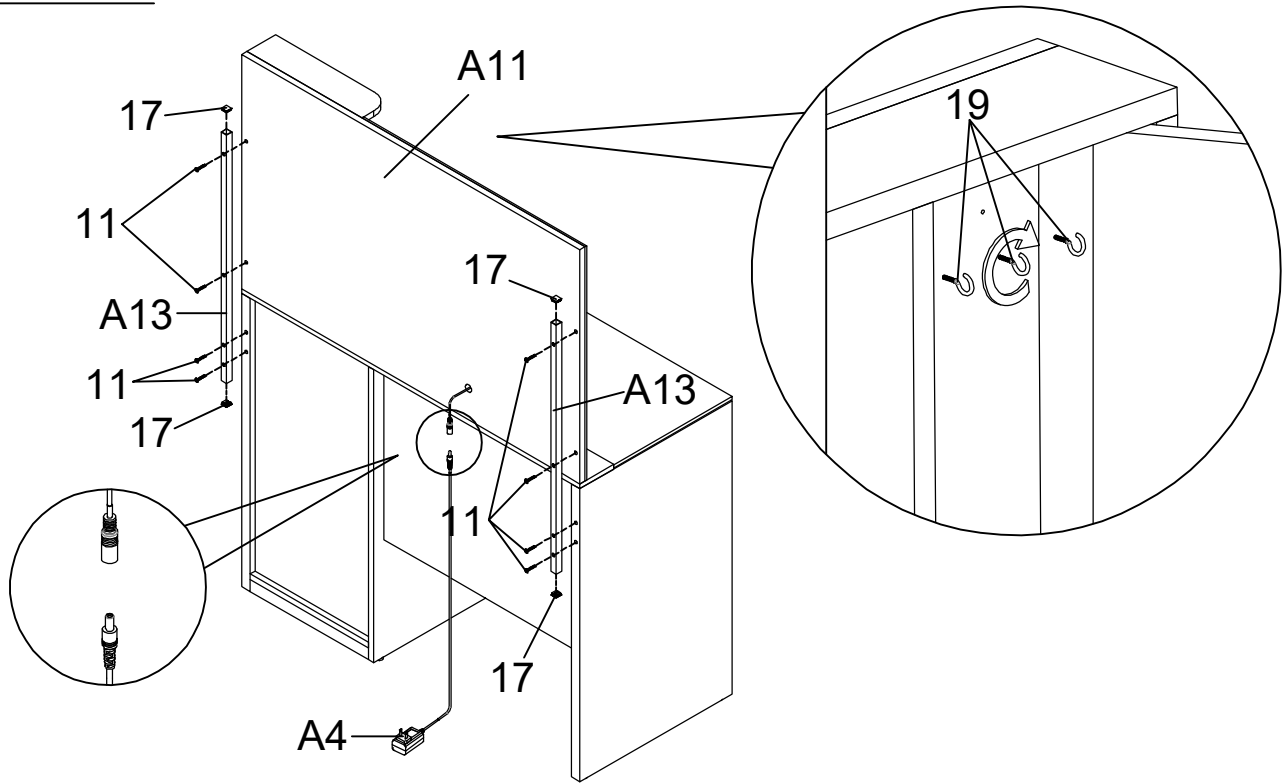
## STEP 14



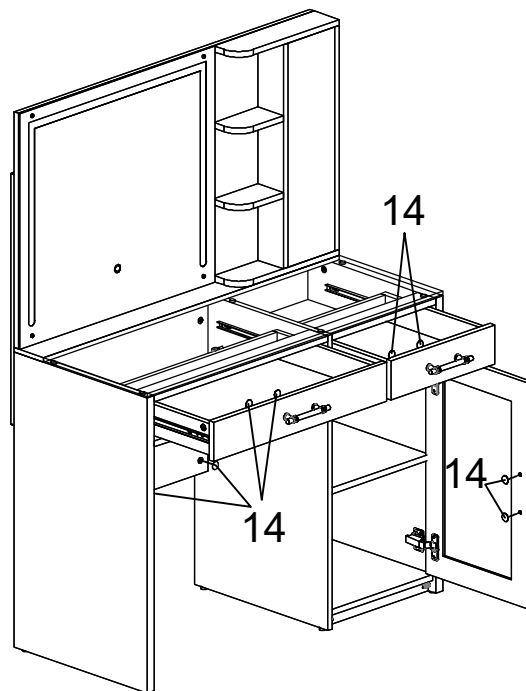
## STEP 15



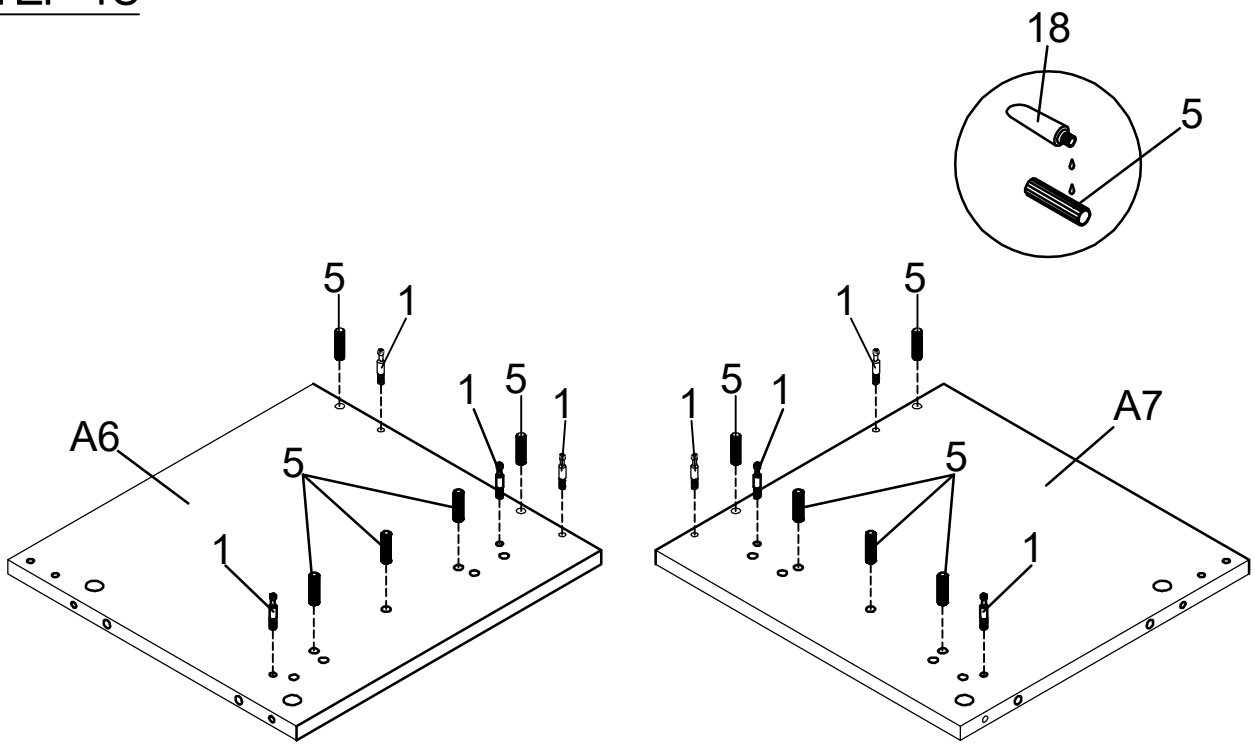
ITEM:930218  
ASSEMBLY INSTRUCTIONS  
STEP 16



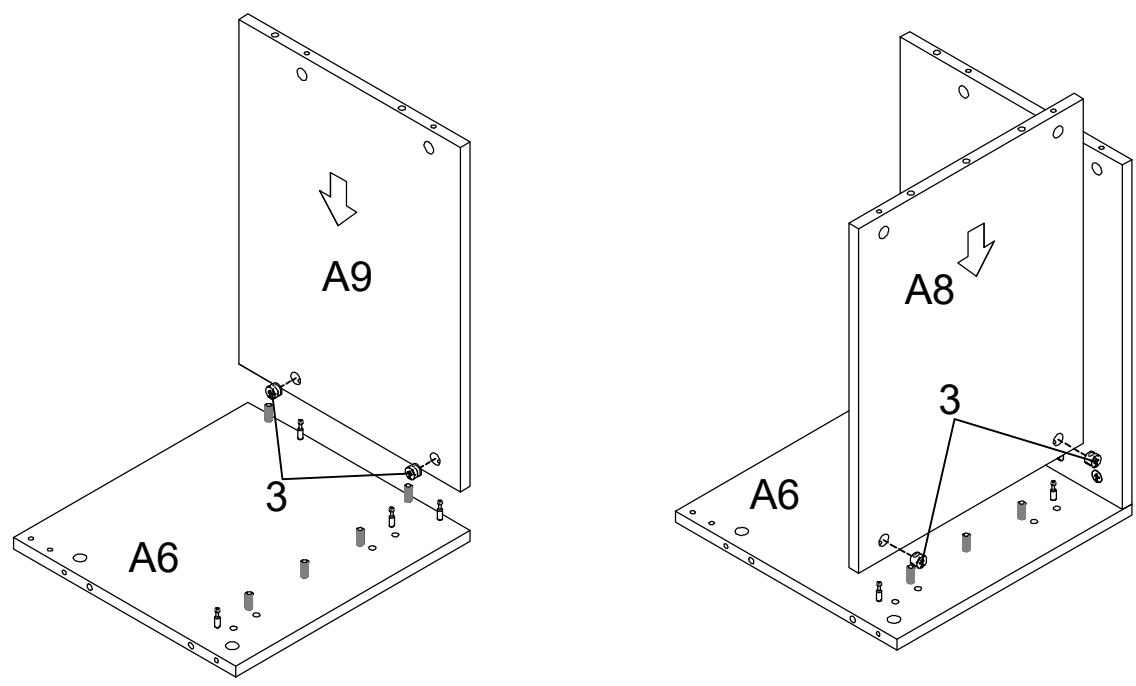
STEP 17



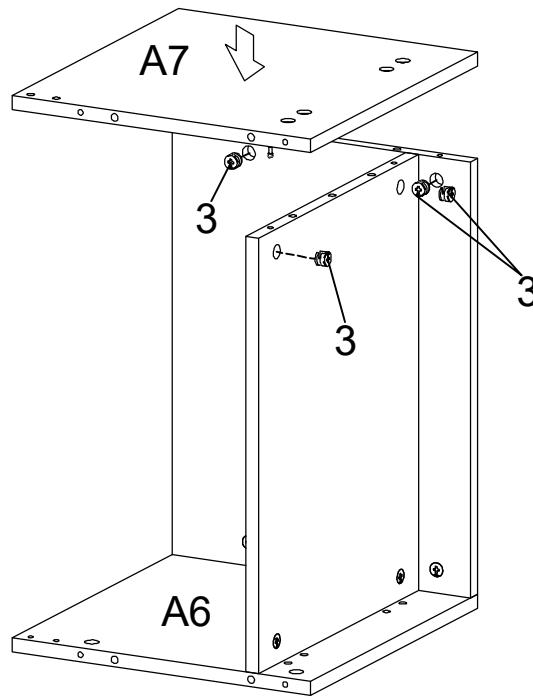
ITEM:930218  
ASSEMBLY INSTRUCTIONS  
STEP 18



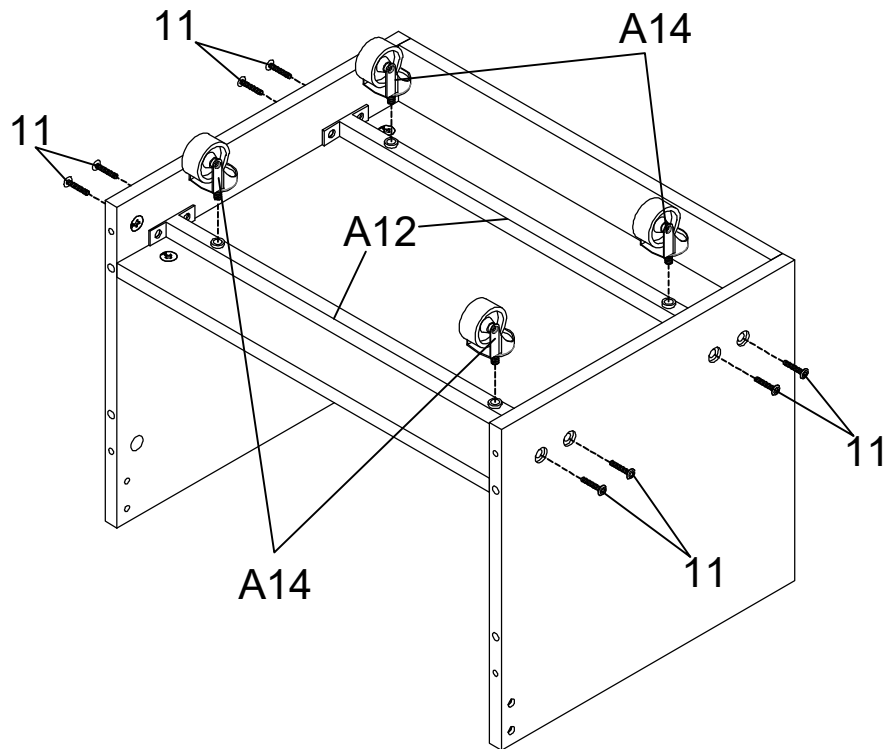
STEP 19



ITEM:930218  
ASSEMBLY INSTRUCTIONS  
STEP 20

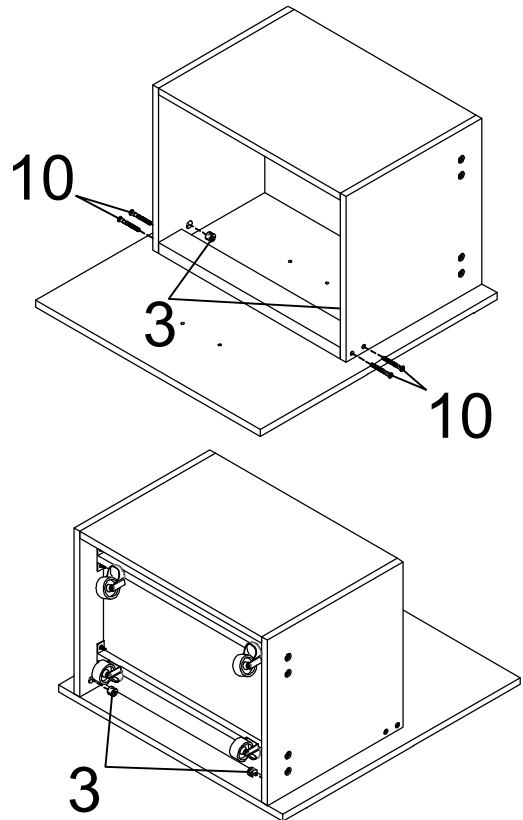
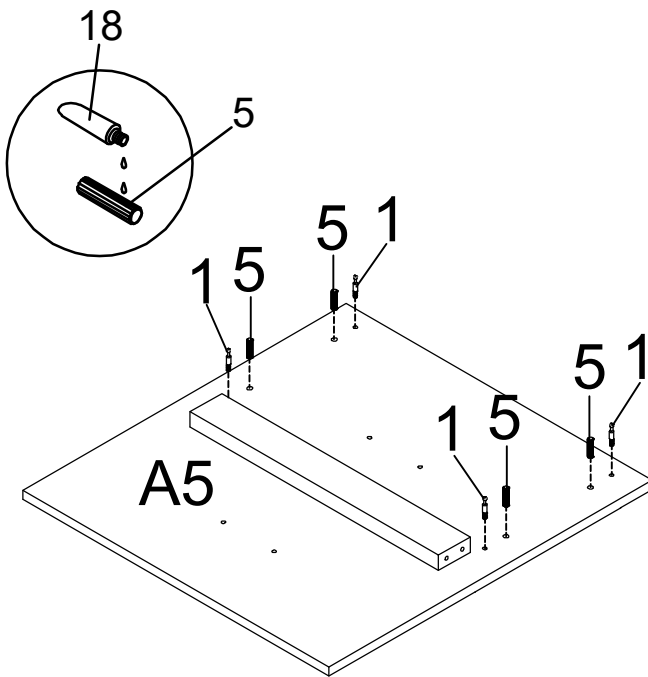


STEP 21

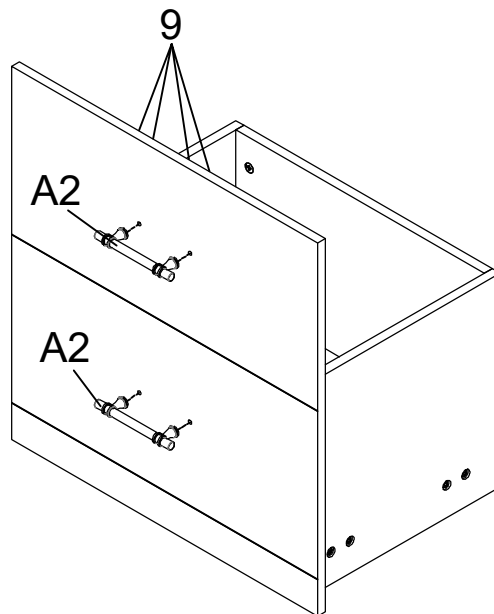




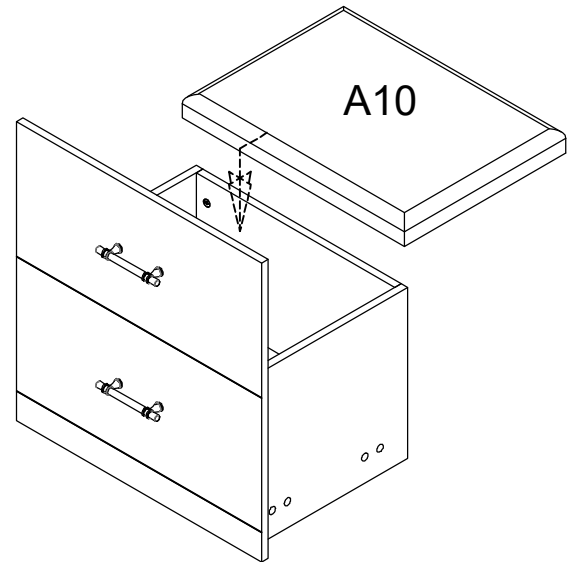
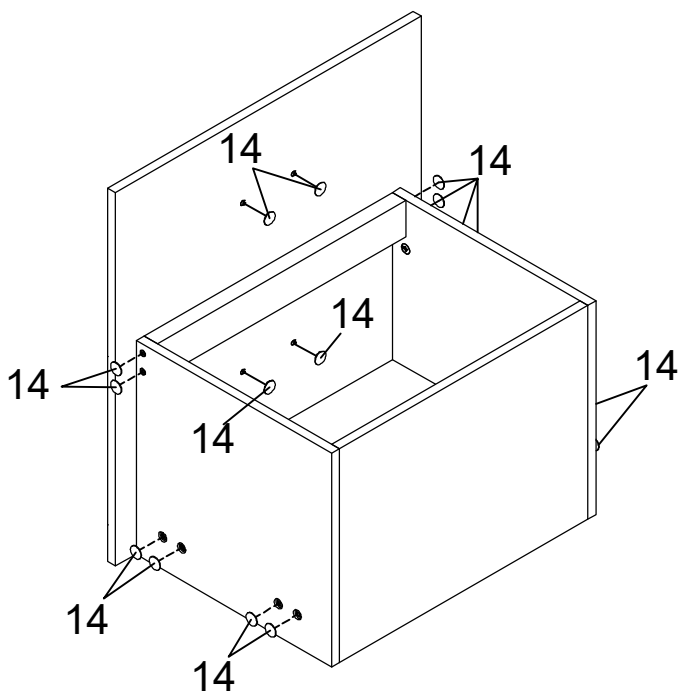
ITEM:930218  
ASSEMBLY INSTRUCTIONS  
STEP 22



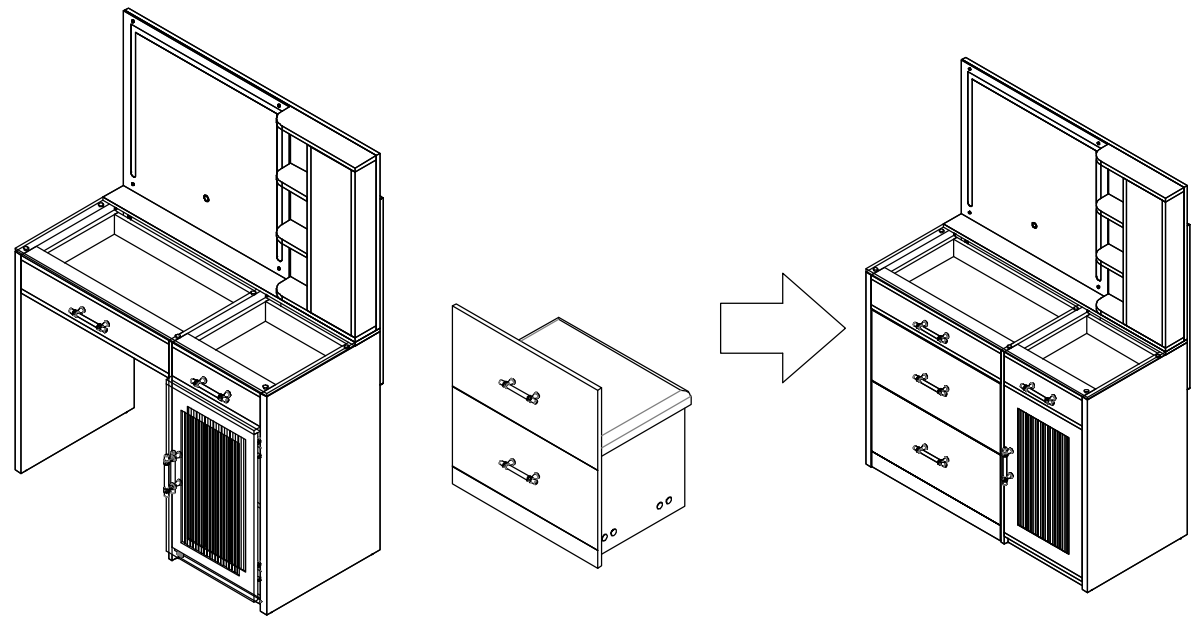
STEP 23



ITEM:930218  
ASSEMBLY INSTRUCTIONS  
STEP 24



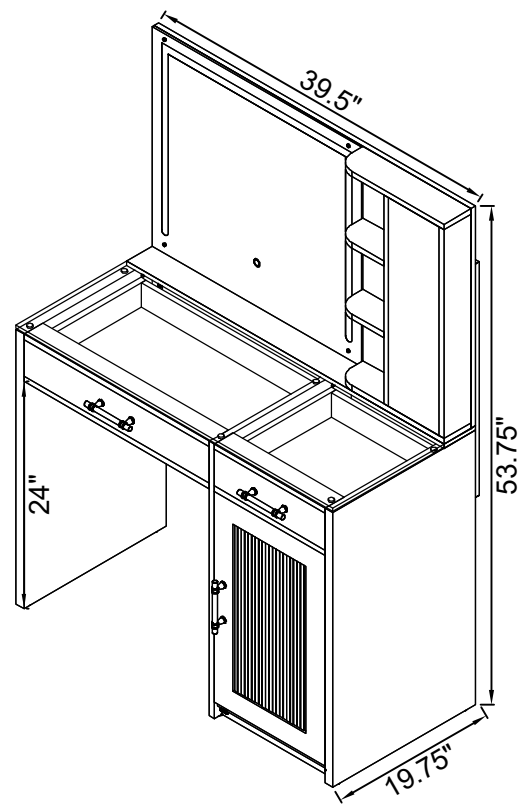
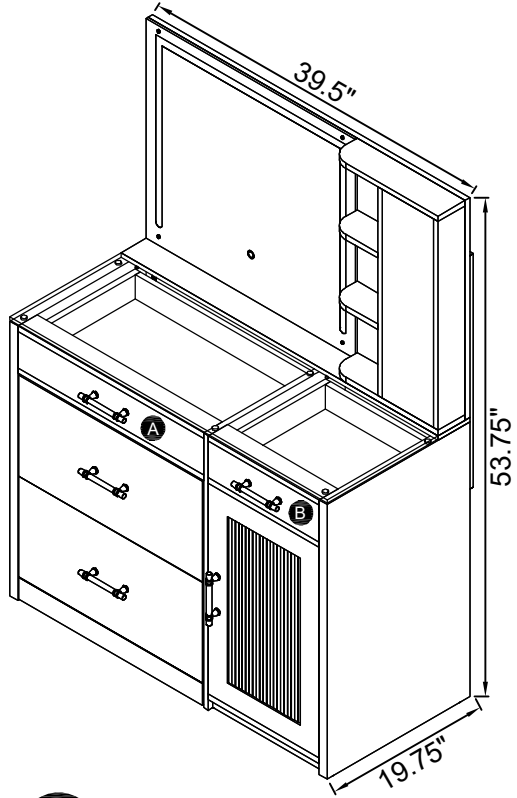
STEP 25  
COMPLETE



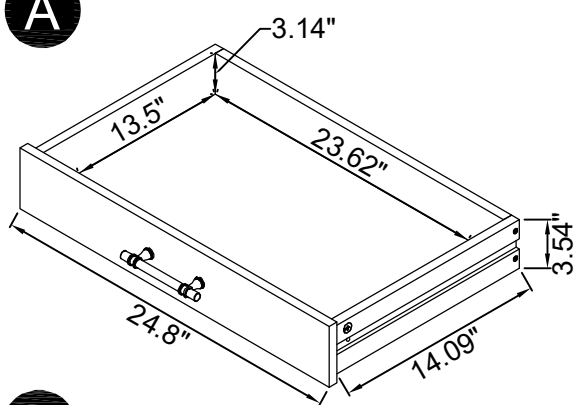
# ITEM:930218 ASSEMBLY INSTRUCTIONS



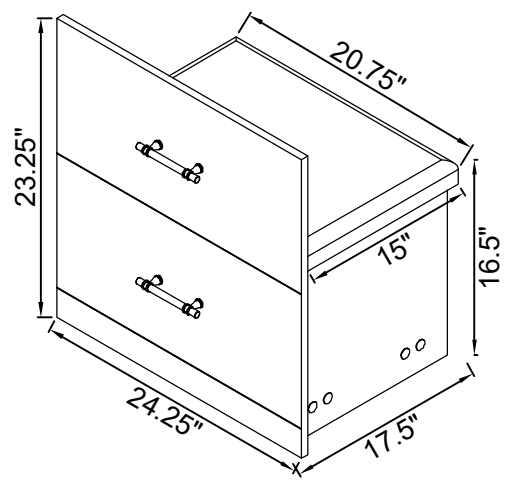
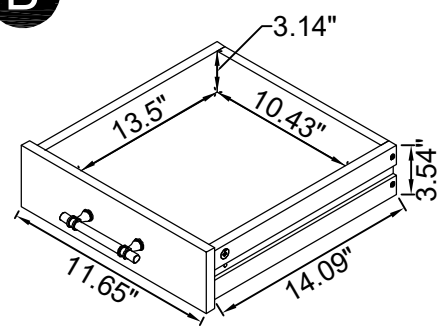
**Product Size : 1003 X 502 X 1365 H (MM)**  
**Product Size : 39.5" X 19.75" X 53.75"**



**A**



**B**



Note : Dimension tolerance  $\pm 5\%$

ITEM: **930218**



## ANTI-TIPPING INSTALLMENT INSTRUCTIONS

### FURNITURE TIPPING RESTRAINT

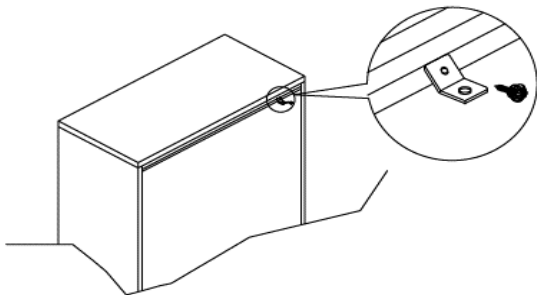
#### WARNING

Injury may result from tipping furniture.  
This restraint may protect against tipping furniture.  
Do not allow children to climb on furniture.  
This restraint is not a substitute for proper adult supervision.  
Failure to detach this restraint before moving the furniture may result in injury and damage.

This tip restraint must be attached to a wall stud using long screw enclosed.

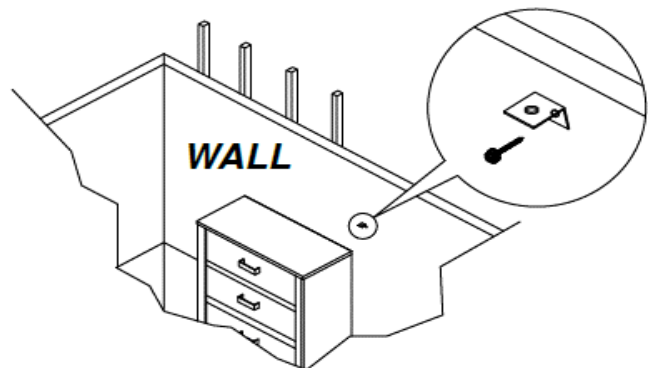
#### STEP 1

Attach a bracket securely to the back top rail of the furniture using short screw provided, through the smaller hole.



#### STEP 2

Locate the other bracket on the wall over a plastic wall stud and two inches below the mounting bracket secured to the back of the furniture. Attach the wall stud using the long screw provided, through the smaller hole.



#### STEP 3

Place the furniture into position so both mounting brackets are vertically in line. Lace the end of the restraint strap through the larger hole in each mounting bracket. Bring both ends together and slide the flat end through the locking end and draw it through until all slack is removed. Confirm that the strap is securely laced and locked.

