

ASSEMBLY INSTRUCTIONS
COASTER FINE FURNITURE



Fine Furniture for every stage of life

109181
Dining Table

ITEM:109181



ASSEMBLY INSTRUCTIONS

ASSEMBLY TIPS:

1. Remove hardware from box and sort by size.
2. Please check to see that all hardware and parts are present prior to start of assembly.
3. Please follow attached instructions in the same sequence as numbered to assure fast & easy assembly.



WARNING!



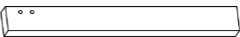
1. Don't attempt to repair or modify parts that are broken or defective. Please contact the store immediately.
2. This product is for home use only and not intended for commercial establishments.




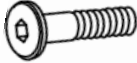
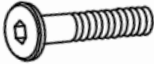
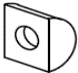



ASSEMBLY TIME

20 MINUTES

PARTS IDENTIFICATION

A	TOP		1PC
BF	LEG WITH LABEL "L"		2PCS
CF	LEG WITH LABEL "R"		2PCS

HARDWARE IDENTIFICATION

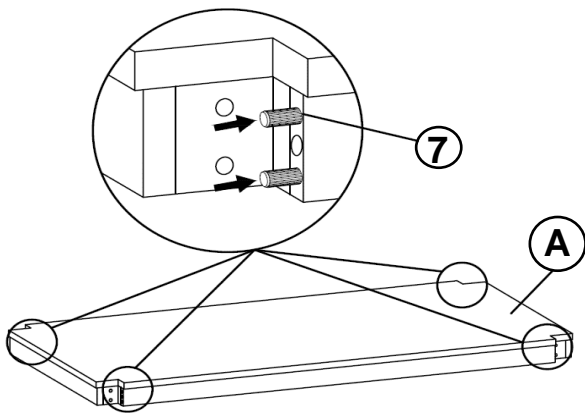
1	ALLEN WRENCH (M4 x 100mm - BLK)		1PC
2	SHORT BOLT (M6 x 40mm - RBW)		8PCS
3	LONG BOLT (M6 x 50mm - RBW)		4PCS
4	HALF ROUND NUT (M6 - BLK)		4PCS
5	LOCK WASHER (M6 - RBW)		8PCS
6	FLAT WASHER (M6 - RBW)		8PCS
7	PLASTIC DOWEL (M8 x 30mm - BLK)		8PCS

ITEM: **109181**

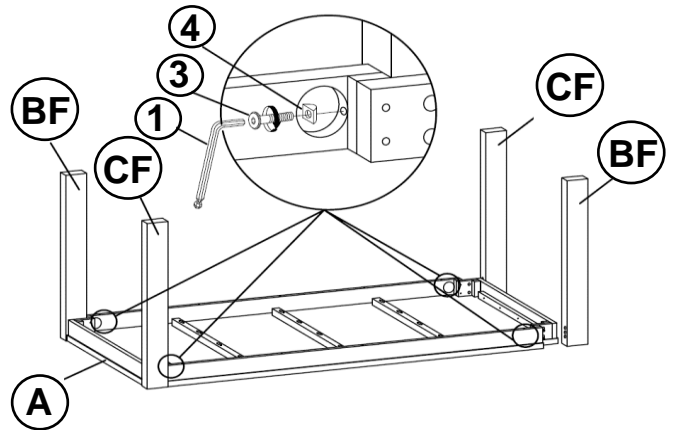
ASSEMBLY INSTRUCTIONS



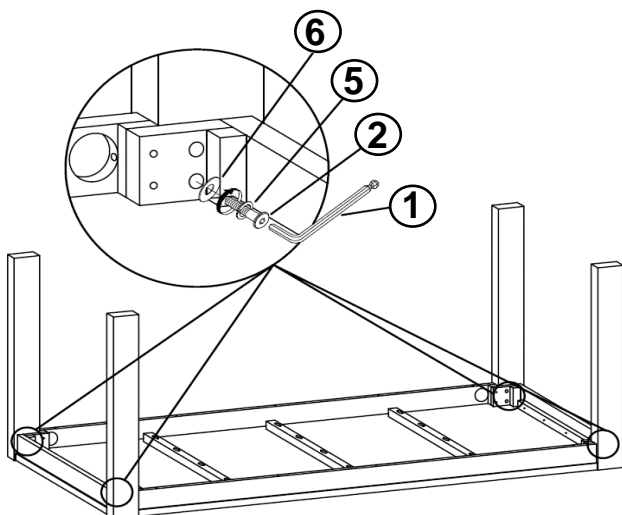
STEP 1



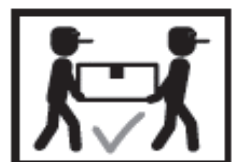
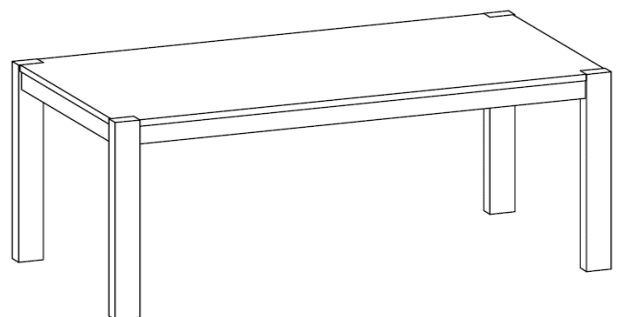
STEP 2



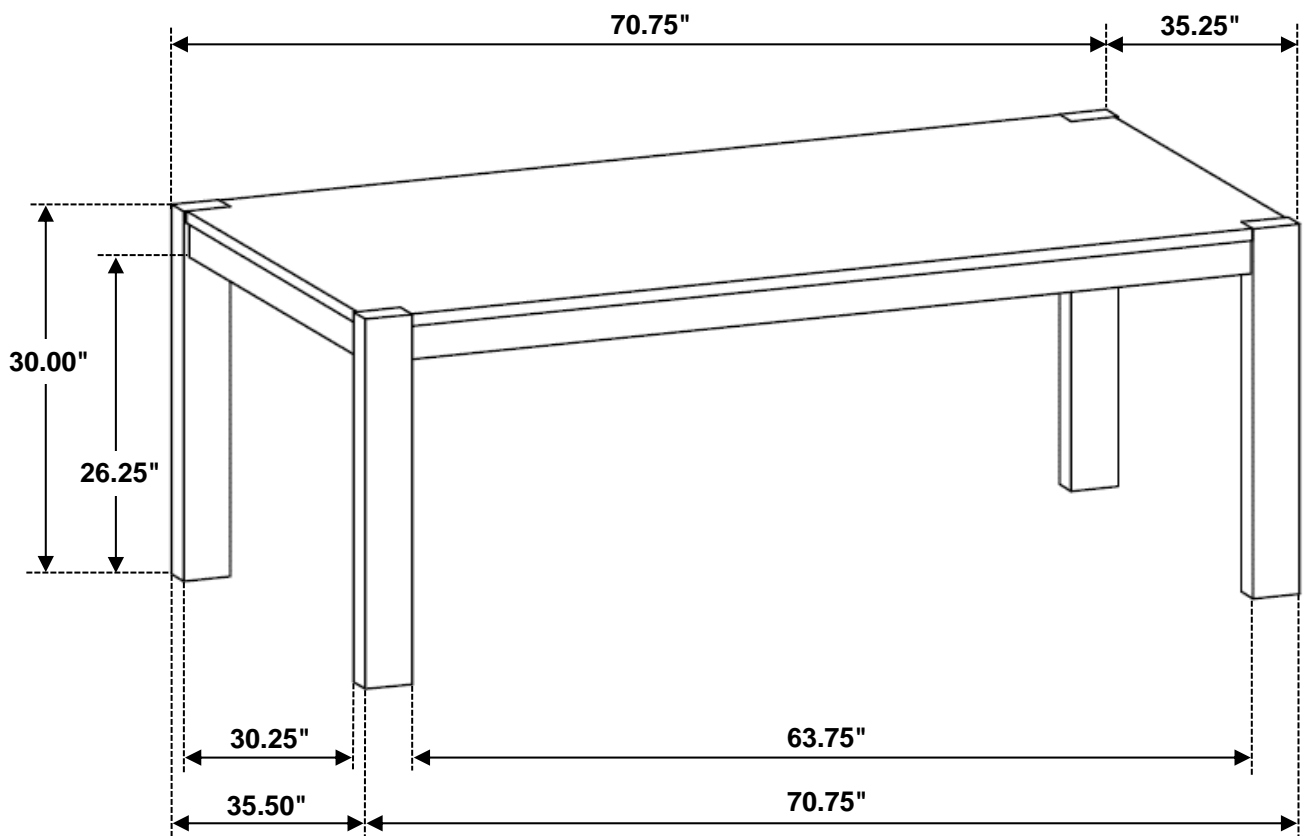
STEP 3



STEP 4
COMPLETE



ITEM: **109181**



Note: Dimension tolerance $\pm 5\%$