



## ASSEMBLY INSTRUCTIONS COASTER FINE FURNITURE



*Fine Furniture for every stage of life*

**204192**  
***Nighstand***

REVISION 0 : 06/17/2015  
REVISION 1 : 12/17/2017  
REVISION 2 : 06/04/2019

PAGE 1 OF 4

COASTERFURNITURE.COM

ITEM: **204192**



## ASSEMBLY INSTRUCTIONS

### ASSEMBLY TIPS:

- 1 . Remove hardware from box and sort by size.
- 2 . Please check to see that all hardware and parts are present prior to start of assembly.
- 3 . Please follow attached instructions in the same sequence as numbered to assure fast & easy assembly.

### WARNING !



- 1 . Don't attempt to repair or modify parts that are broken or defective. Please contact the store immediately.
- 2 . This product is for home use only and not intended for commercial establishment.



ASSEMBLY TIME

20 MINUTES

## PARTS IDENTIFICATION

A NIGHTSTAND



1PC

D RIGHT BACK LEG  
(WITH BR LABEL)



1PC

B RIGHT FRONT LEG  
(WITH FR LABEL)



1PC

E LEFT BACK LEG  
(WITH BR LABEL)



1PC

C LEFT FRONT LEG  
(WITH FR LABEL)



1PC

## HARDWARE IDENTIFICATION

1 BOLT  
(M6 x 35mm - BLK)



8PCS

3 FLAT WASHER  
(1/4" x 20mm - BLK)



8PCS

2 LOCK WASHER  
(1/4" - BLK)



8PCS

4 ALLEN WRENCH  
(M4 x 65mm - BLK)



1PC

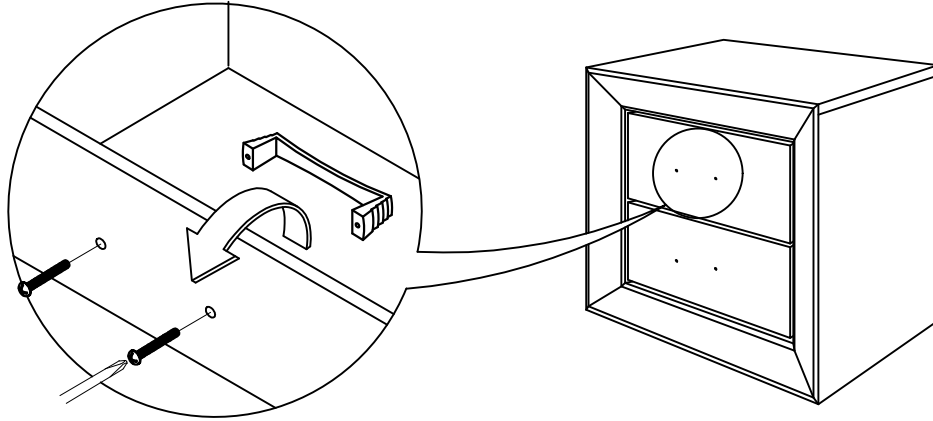
### NOTE:

Philips head screw driver in the assembly process; however, manufacturer does not provide the item

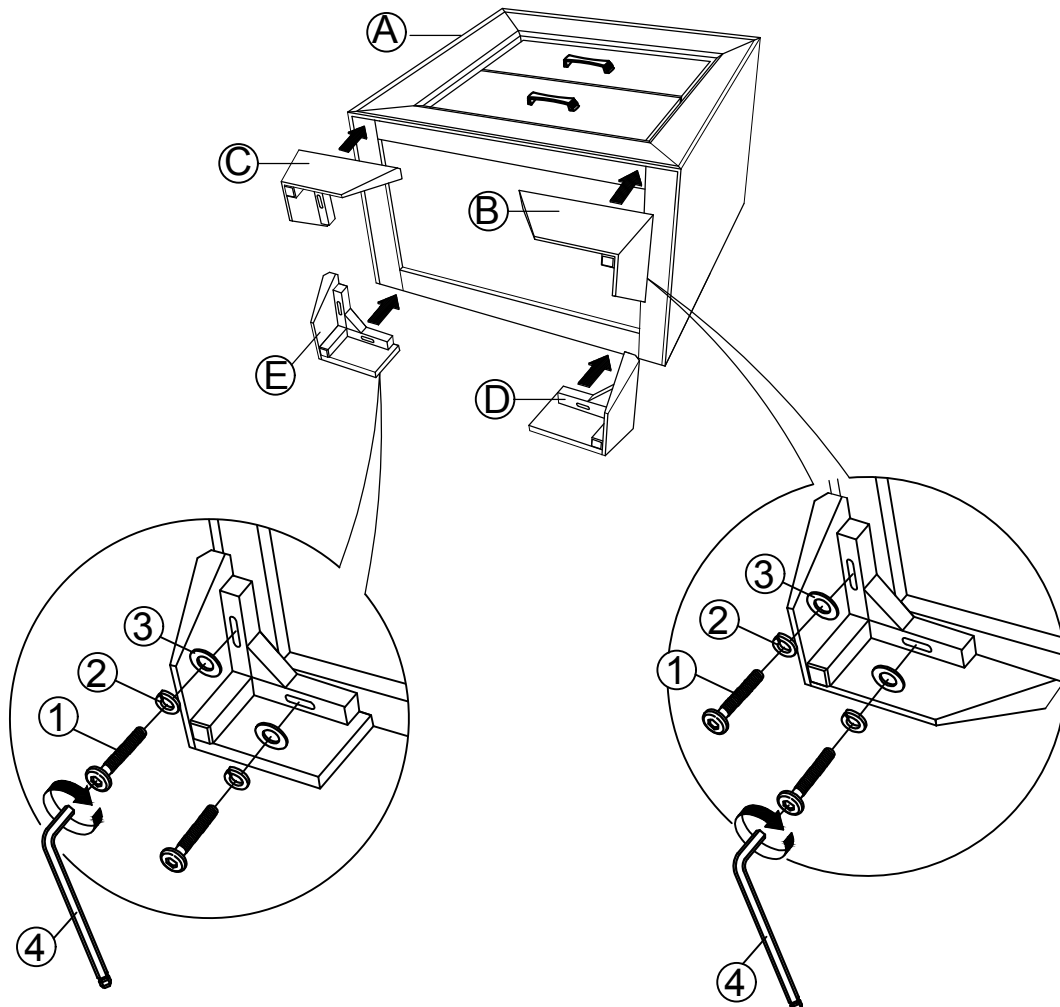
ITEM: **204192**  
**ASSEMBLY INSTRUCTIONS**



**STEP 1**



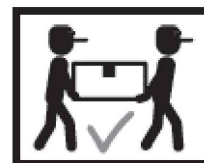
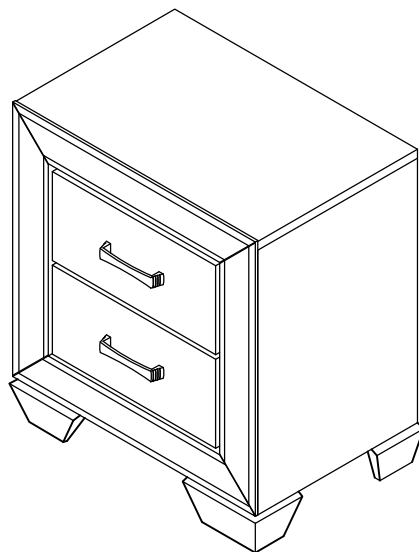
**STEP 2**



ITEM: **204192**  
**ASSEMBLY INSTRUCTIONS**



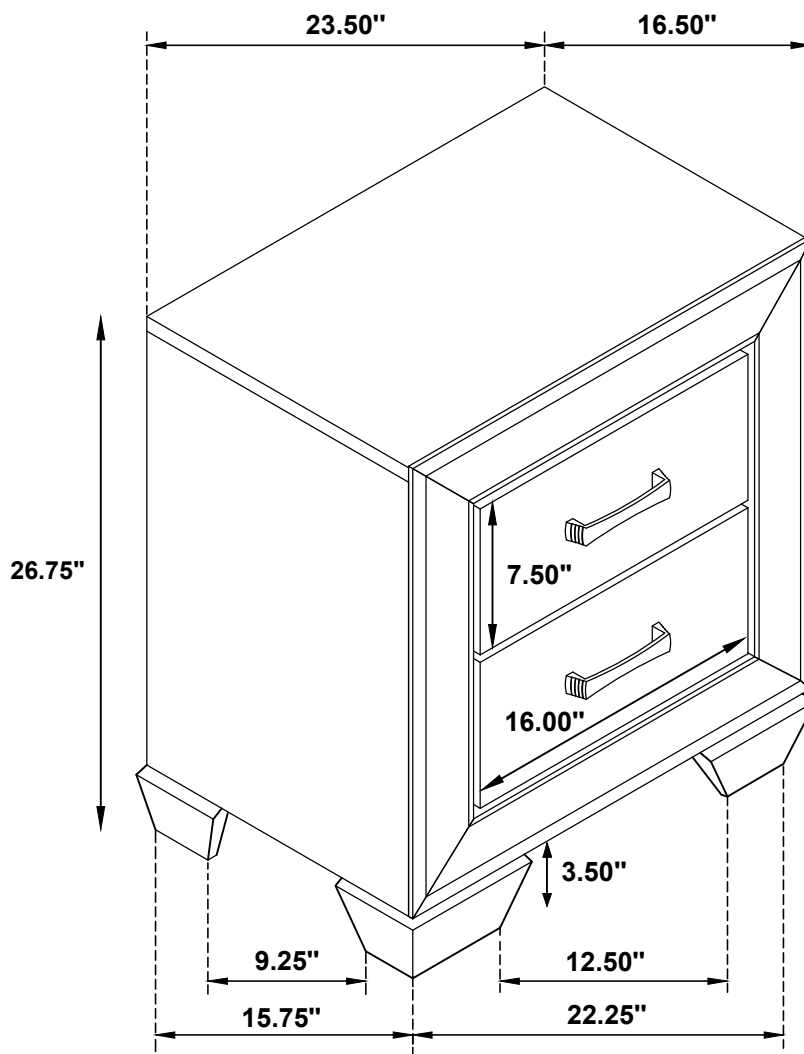
**STEP 3**  
**COMPLETE**



ITEM: **204192**



Inner Size Of Drawer : 12.75"W X 12.75"D X 5.00"H X 0.25"T



Note : Dimension tolerance  $\pm 5\%$