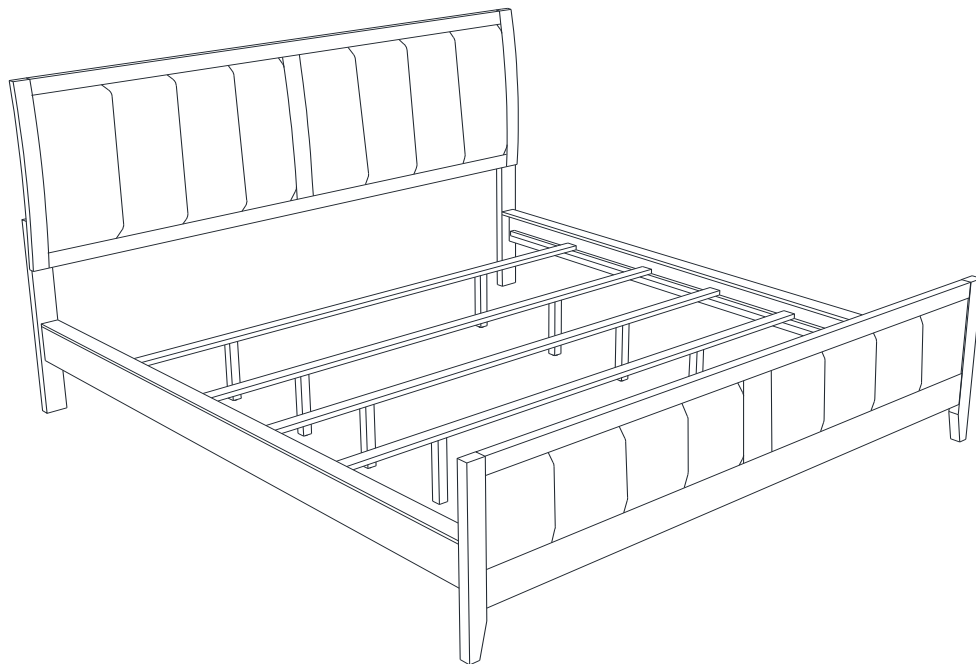


ASSEMBLY INSTRUCTIONS
COASTER FINE FURNITURE



Fine Furniture for every stage of life

224421KW (B1&B2)
California King Bed

ITEM: 224421KW(B1&B2)



ASSEMBLY INSTRUCTIONS

ASSEMBLY TIPS:

1. Remove hardware from box and sort by size.
2. Please check to see that all hardware and parts are present prior to start of assembly.
3. Please follow attached instructions in the same sequence as numbered to assure fast & easy assembly.



WARNING!

1. Don't attempt to repair or modify parts that are broken or defective. Please contact the store immediately.
2. This product is for home use only and not intended for commercial establishments.



ASSEMBLY TIME

20 MINUTES

PARTS IDENTIFICATION

B1 (BOX 1)

A	HEADBOARD PANEL		1PC	D	FOOTBOARD		1PC
B	RIGHT HEADBOARD LEG		1PC	E	BED SLAT		4PCS
C	LEFT HEADBOARD LEG		1PC	F	BED SLAT SUPPORT WITH LEVELER		8PCS

B2 (BOX 2)

G	BED RAIL		2PCS				
HB	224421KW(B1) FROM BOX 1 HEADBOARD COMPLETE		1PC	D	224421KW(B1) FROM BOX1 FOOTBOARD		1PC

HARDWARE IDENTIFICATION

Z-B1 (BOX 1) - HARDWARE PACK IS LOCATED IN 224421KW(B1)

1	BOLT (M6 x 35mm - BLK)		6PCS	4	ALLEN WRENCH (M4 x 60mm - BLK)		1PC
2	LOCK WASHER (1/4" - BLK)		6PCS	5	FLAT HEAD SCREW (M4 x 32mm - RBW)		8PCS
3	FLAT WASHER (1/4" ID x 13mm - BLK)		6PCS				

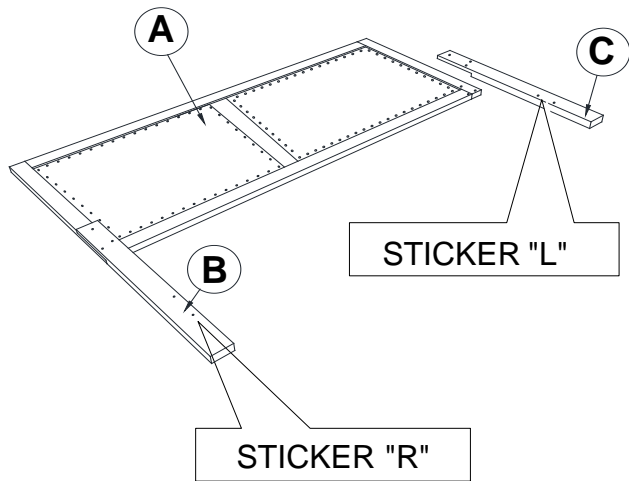
NOTE:

Phillips head screw driver is required in the assembly process; however, manufacturer does not provide this item.

ITEM: 224421KW(B1&B2)

ASSEMBLY INSTRUCTIONS

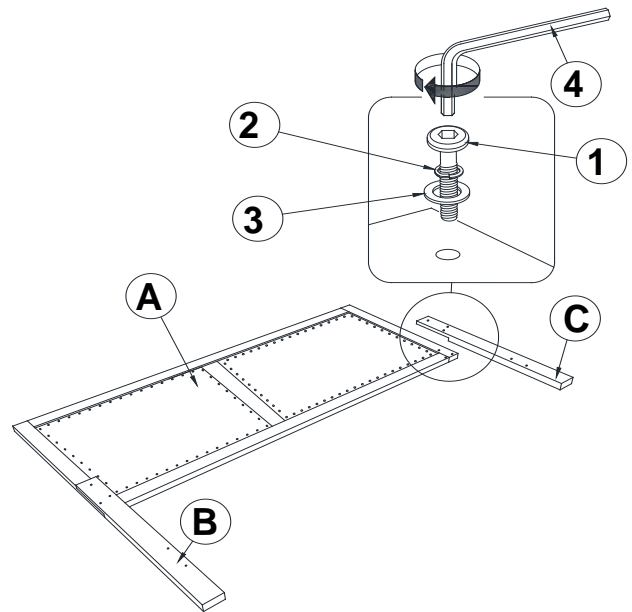
STEP 1



****BACK VIEW****

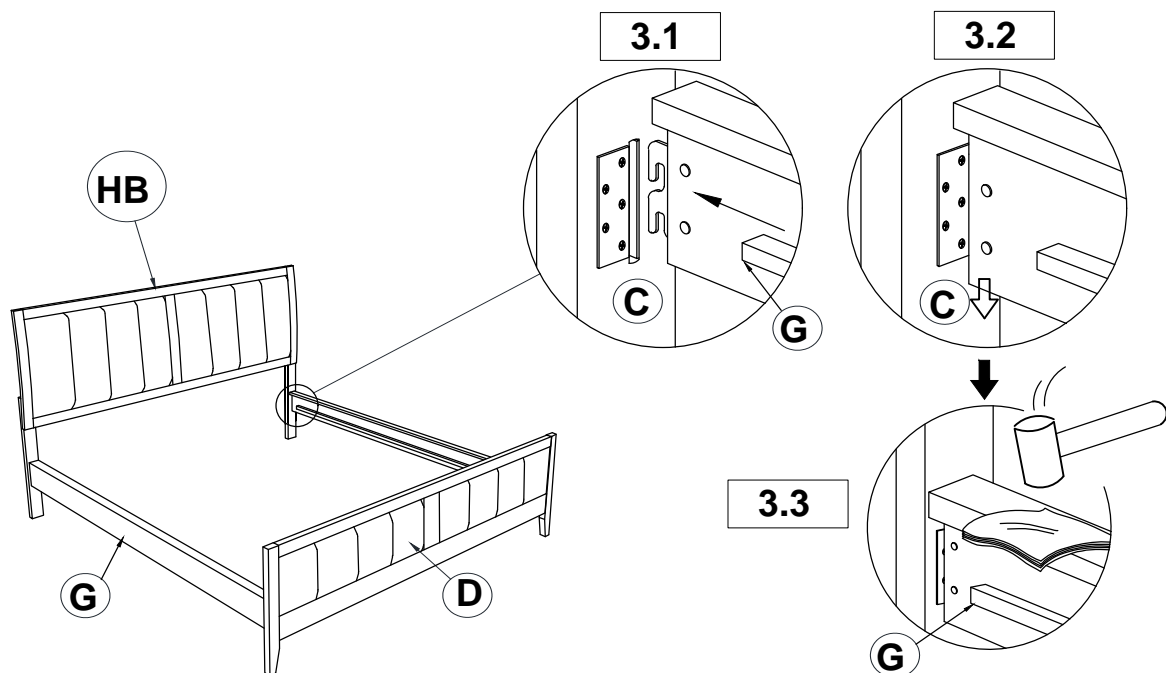
Note: Please take note of the marking sticker (L & R) on the headboard legs.

STEP 2



****BACK VIEW****

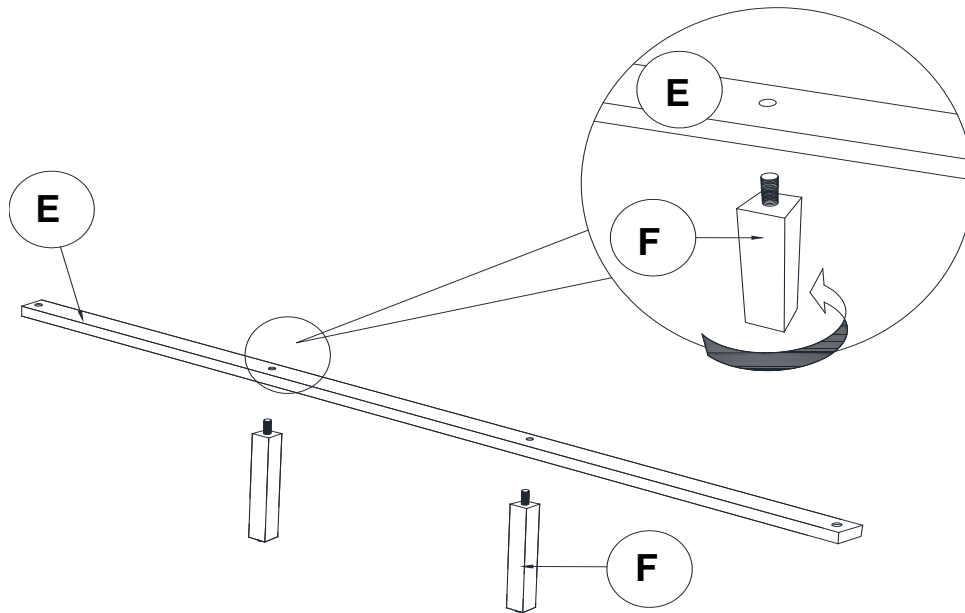
STEP 3



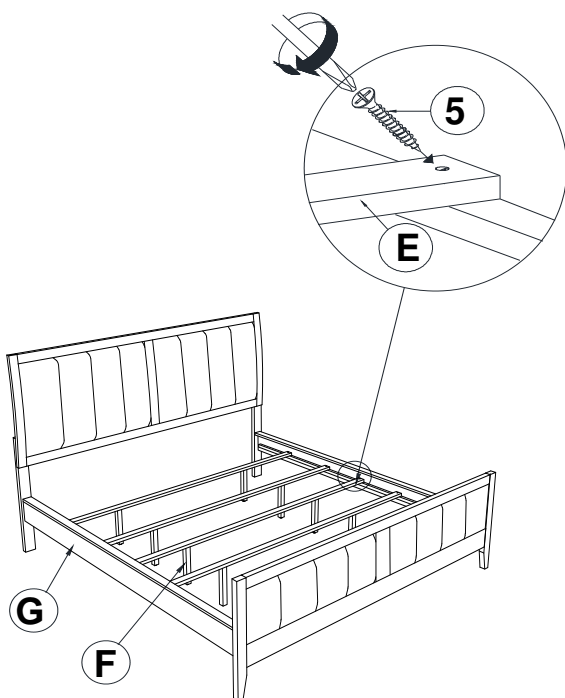
ITEM: 224421KW(B1&B2)

ASSEMBLY INSTRUCTIONS

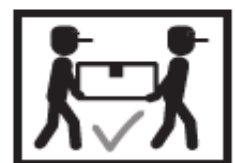
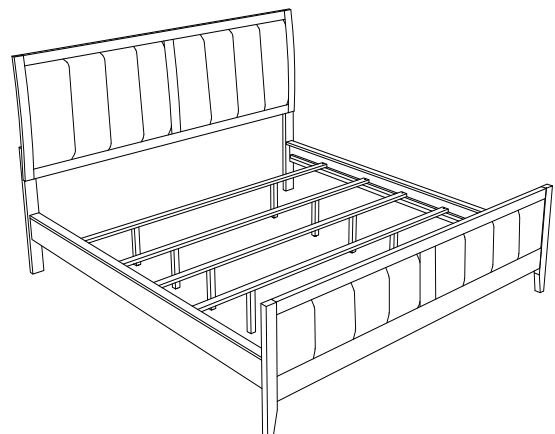
STEP 4



STEP 5



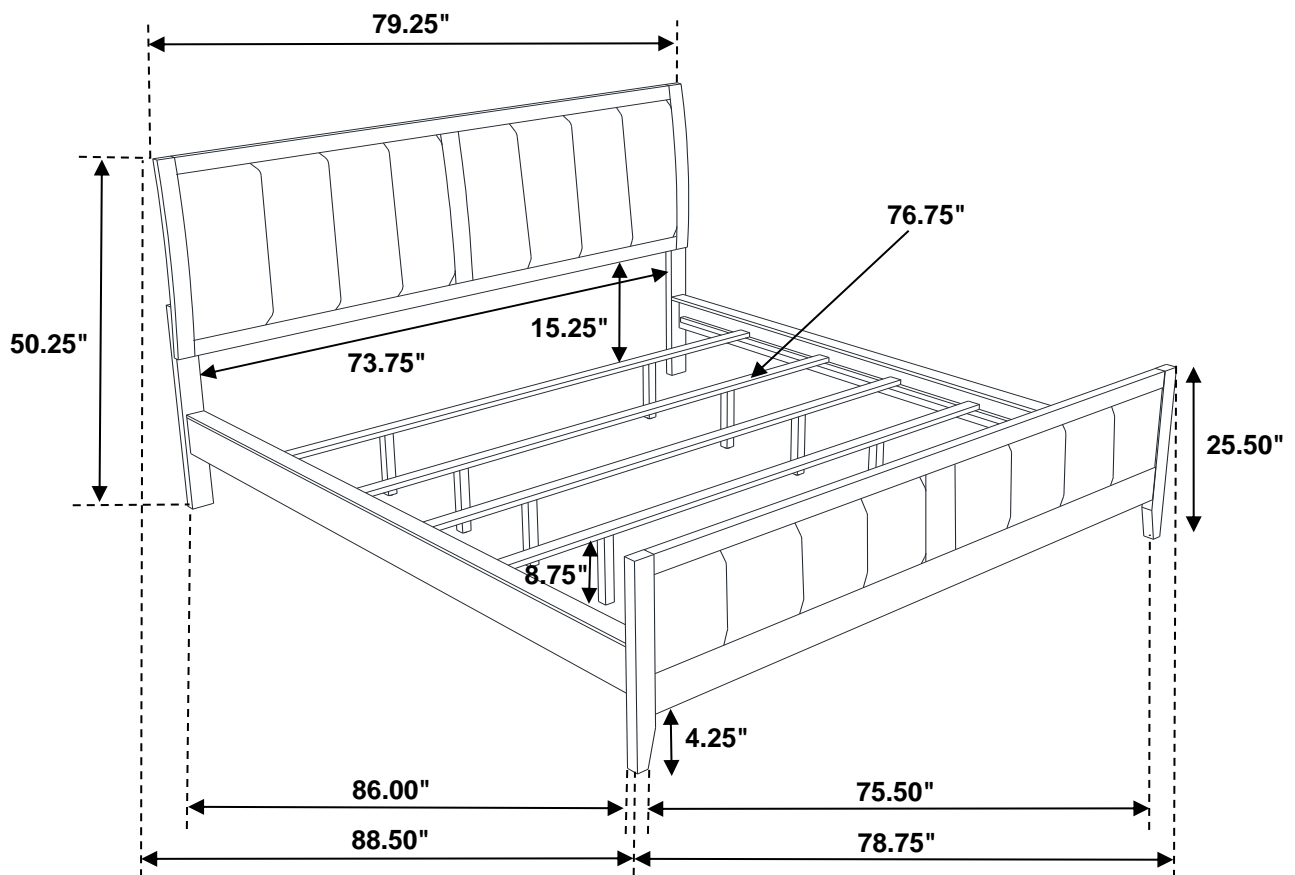
STEP 6 **COMPLETE**



ITEM: **224421KW(B1&B2)**



Inner Size : 73.25"W x 86.00"D



Note: Dimension tolerance $\pm 5\%$