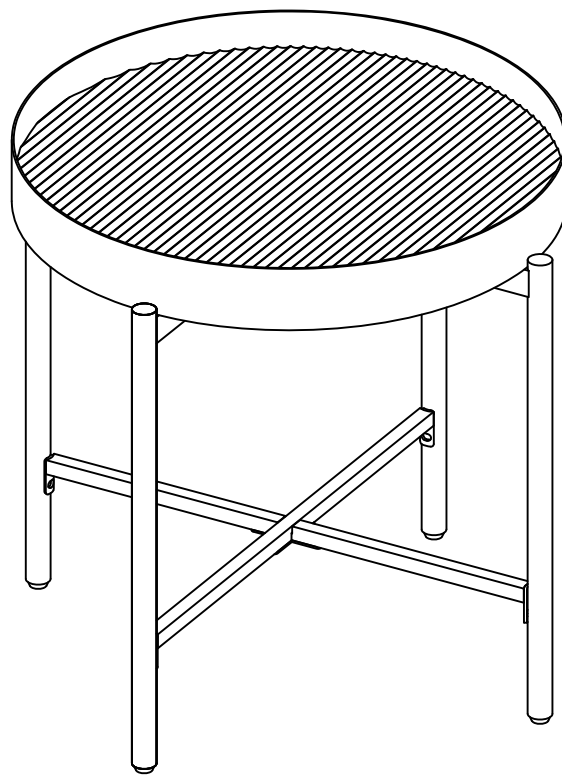


ASSEMBLY INSTRUCTIONS
COASTER FINE FURNITURE



Fine Furniture for every stage of life

707897
END TABLE

ITEM:707897



ASSEMBLY INSTRUCTIONS

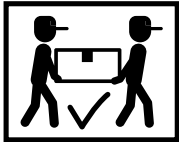
ASSEMBLY TIPS:

1. Remove hardware from box and sort by size.
2. Please check to see that all hardware and parts are present prior to start of assembly.
3. Please follow attached instructions in the same sequence as numbered to assure fast & easy assembly.



WARNING !

1. Don't attempt to repair or modify parts that are broken or defective. Please contact the store immediately.
2. This product is for home use only and not intended for commercial establishment.



ASSEMBLY TIME

10 MINUTE

PARTS IDENTIFICATION

A	LOWER LEG FRAME		1PC	E	UPPER FRAME		1PC
B	UPPER LEG FRAME		1PC	F	GLASS TOP		1PC
C	LOWER CROSSBAR		1PC	G	METAL PLATE		1PC
D	UPPER CROSSBAR		1PC				

HARDWARE IDENTIFICATION

1	BOLT (1/4"x5/8")		9PCS	4	GLASS PAD (φ12mm)		4PCS
2	BOLT (1/4"x1-3/4")		4PCS	5	ALLEN KEY (4x22x60mm)		1PC
3	WASHER (φ16mm)		13PCS				

ITEM: 707897

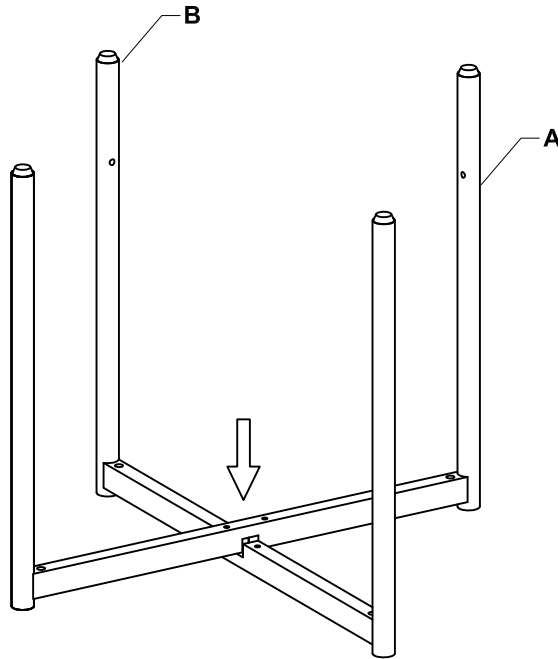


ASSEMBLY INSTRUCTIONS




STEP 1:

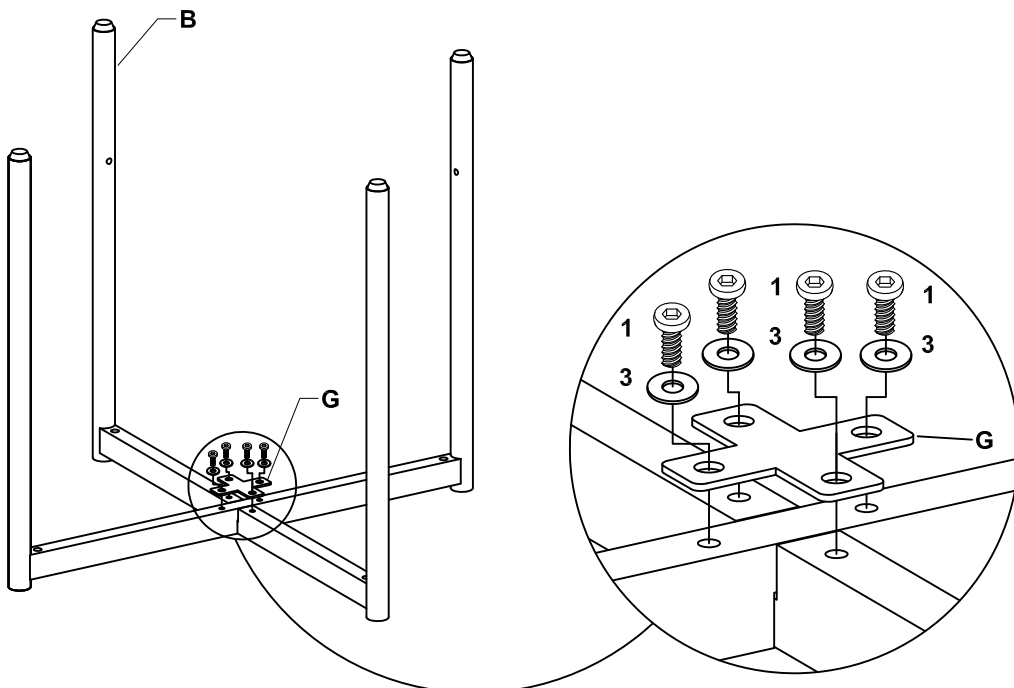
ASSEMBLY

Do not fully tighten all bolts until assembly is complete.
This will help all parts to assemble properly.



STEP 2:

1		4PCS
3		4PCS
5		



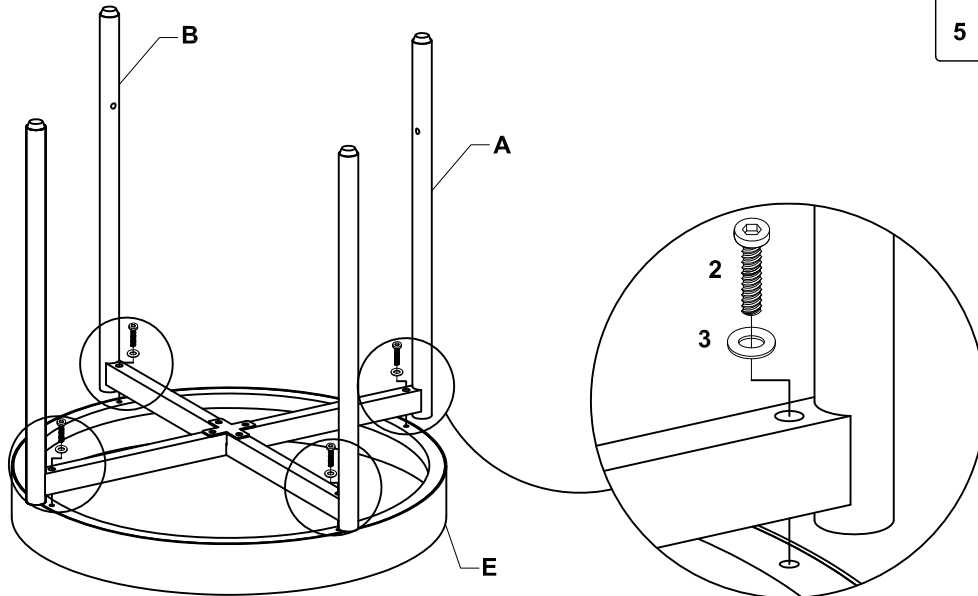
ITEM: **707897**

ASSEMBLY INSTRUCTIONS

STEP 3:

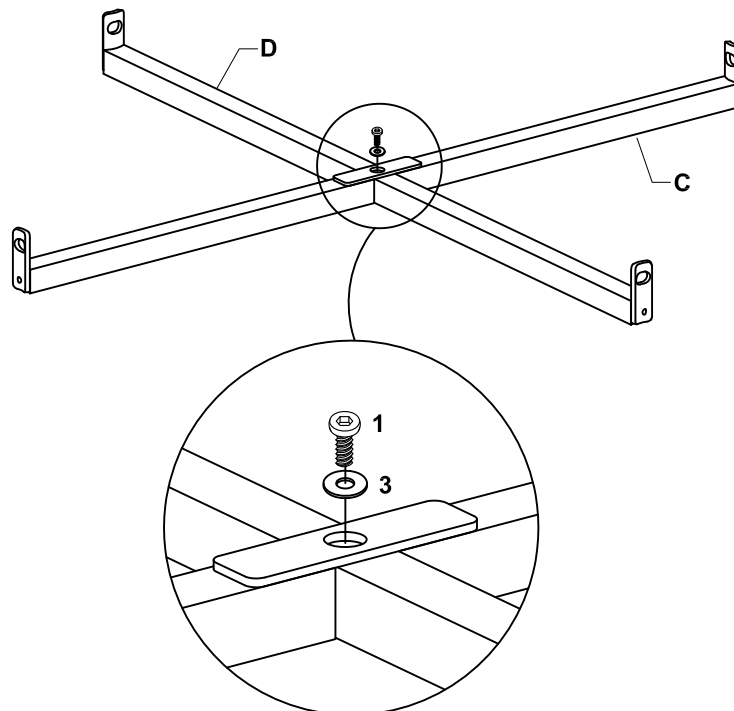


2		4PCS
3		4PCS
5		



STEP 4:

1		1PC
3		1PC
5		






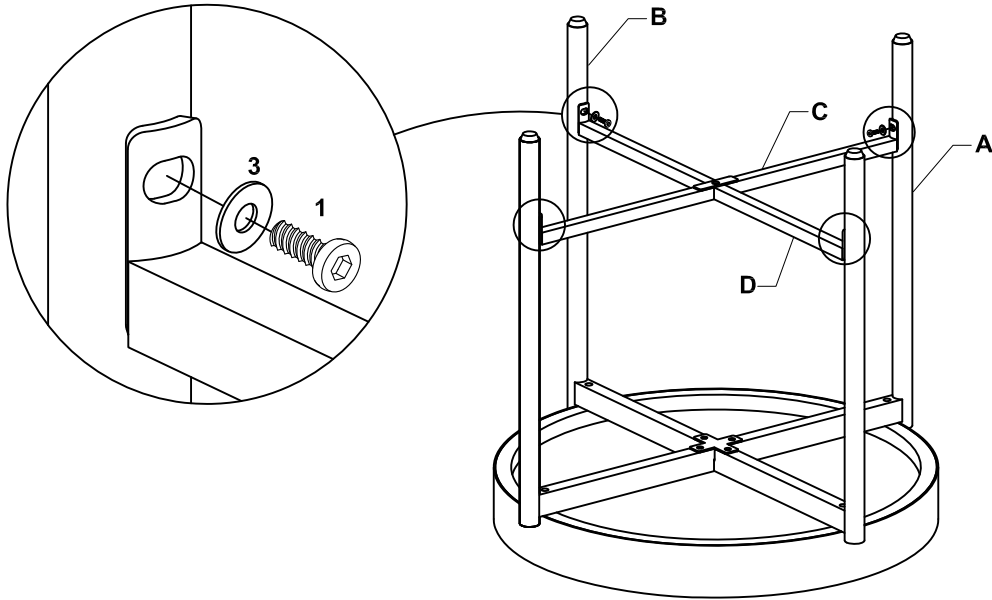
ITEM: **707897**

ASSEMBLY INSTRUCTIONS


STEP 5:

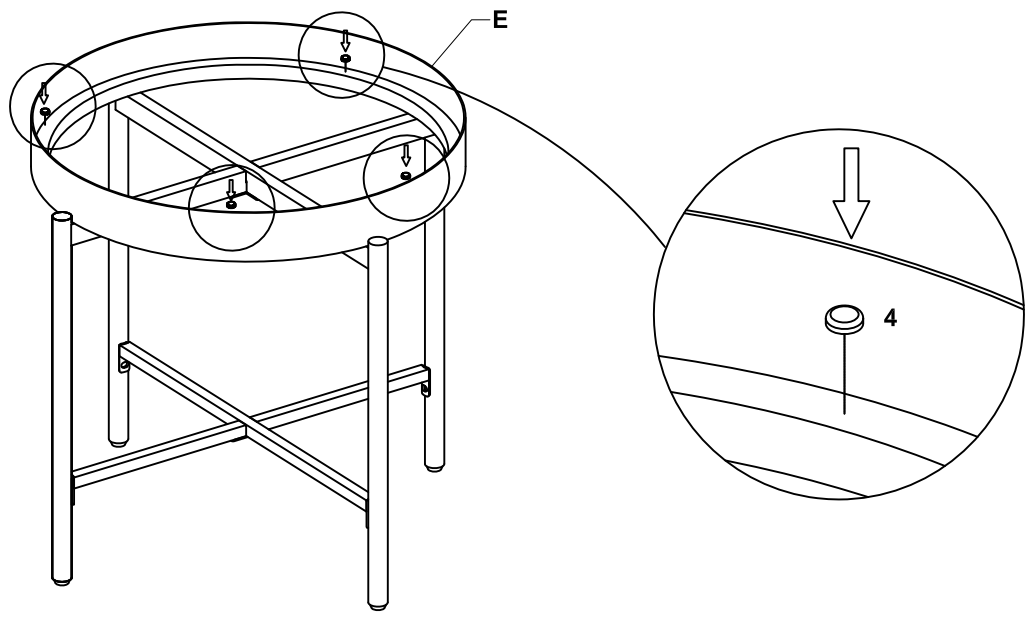


- | | | |
|---|---|------|
| 1 |  | 4PCS |
| 3 |  | 4PCS |
| 5 |  | |



STEP 6:

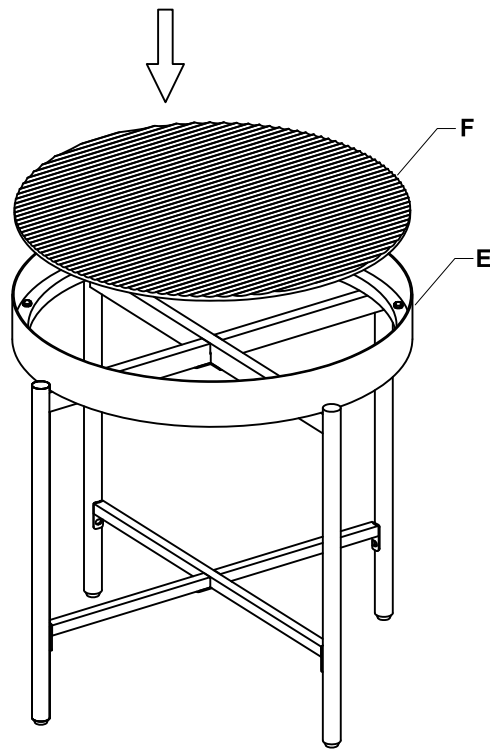
- | | | |
|---|---|------|
| 4 |  | 4PCS |
|---|---|------|



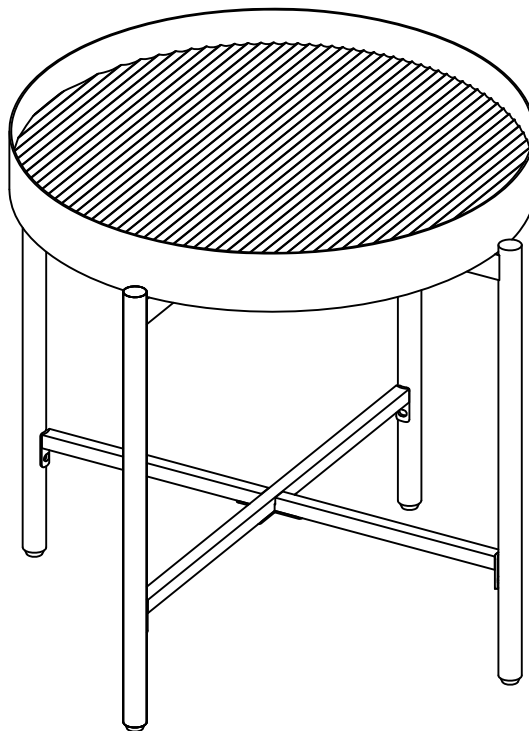
ITEM: **707897**

ASSEMBLY INSTRUCTIONS

STEP 7:

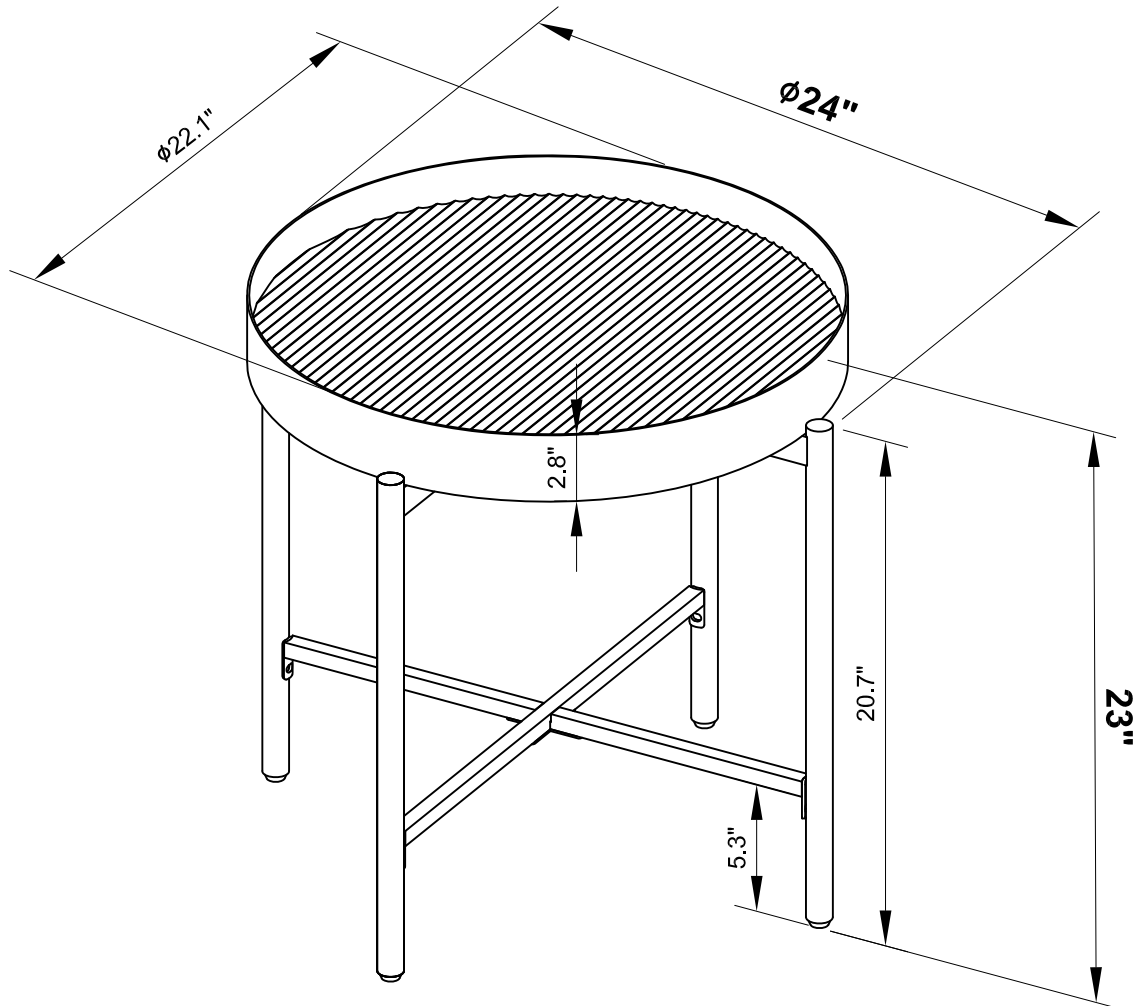


STEP 8:



ITEM:707897

COASTER
FINE FURNITURE



Note : Dimension tolerance $\pm 5\%$