



*ASSEMBLY INSTRUCTIONS
COASTER FINE FURNITURE*



Fine Furniture for every stage of life

300686(B1-B3)
Daybed

ITEM: 300686(B1-B3)



ASSEMBLY INSTRUCTIONS

ASSEMBLY TIPS:

1. Remove hardware from box and sort by size.
2. Please check to see that all hardware and parts are present prior to start of assembly.
3. Please follow attached instructions in the same sequence as numbered to assure fast & easy assembly.



WARNING!

1. Don't attempt to repair or modify parts that are broken or defective. Please contact the store immediately.
2. This product is for home use only and not intended for commercial establishments.



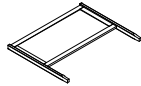
ASSEMBLY TIME

30 MINUTES

PARTS IDENTIFICATION

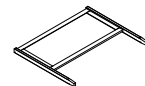
B1 (BOX 1)

A LEFT SIDE FRAME



1PC

B RIGHT SIDE FRAME



1PC

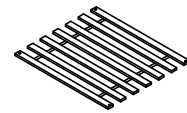
B2 (BOX 2)

C BACK PANEL



1PC

E ROLL SLAT
(7PCS)



2SETS

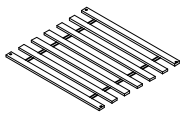
D BACK RAIL



2PCS

B3 (BOX 3)

E ROLL SLAT
(7PCS)



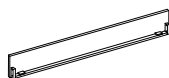
2SETS

G TRUNDLE
SIDE PANEL



2PCS

F TRUNDLE
FRONT PANEL



1PC

H TRUNDLE
BACK PANEL



1PC

NOTE:

Phillips head screw driver is required in the assembly process; however, manufacturer does not provide this item.

ITEM: 300686(B1-B3)



ASSEMBLY INSTRUCTIONS

ASSEMBLY TIPS:

1. Remove hardware from box and sort by size.
2. Please check to see that all hardware and parts are present prior to start of assembly.
3. Please follow attached instructions in the same sequence as numbered to assure fast & easy assembly.

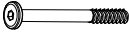
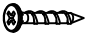





WARNING!

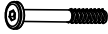


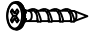

1. Don't attempt to repair or modify parts that are broken or defective. Please contact the store immediately.
2. This product is for home use only and not intended for commercial establishments.

HARDWARE IDENTIFICATION

Z-B2 (BOX 2) - HARDWARE PACK IS LOCATED IN 300686 (B2)

1	BOLT (1/4 x 90mm - RBW)		12PCS	4	FLAT HEAD SCREW (4 x 30mm - RBW)		8PCS
2	BARREL NUT (1/4 x 13mm - RBW)		12PCS	5	ALLEN WRENCH (4 x 25 x 60mm - RBW)		1PC
3	WOOD DOWEL (10 x 40mm)		8PCS				

Z-B3 (BOX 3) - HARDWARE PACK IS LOCATED IN 300686 (B3)

6	BOLT (1/4 x 40mm - RBW)		8PCS	9	SHORT FLAT HEAD SCREW (4 x 20mm - RBW)		8PCS
7	ALLEN WRENCH (4 x 25 x 60mm - RBW)		1PC	10	LONG FLAT HEAD SCREW (4 x 30mm - RBW)		8PCS
8	CASTER		4PCS				

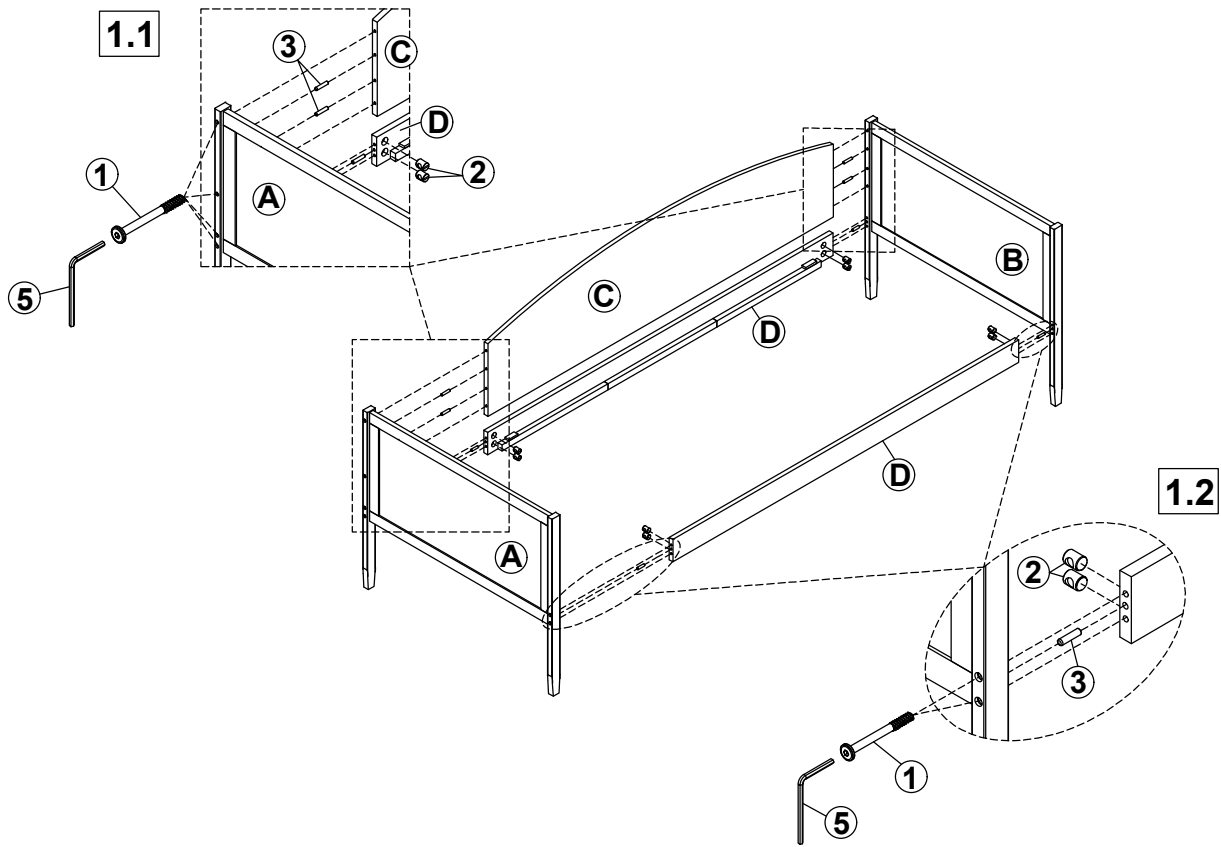
NOTE:

Phillips head screw driver is required in the assembly process; however, manufacturer does not provide this item.

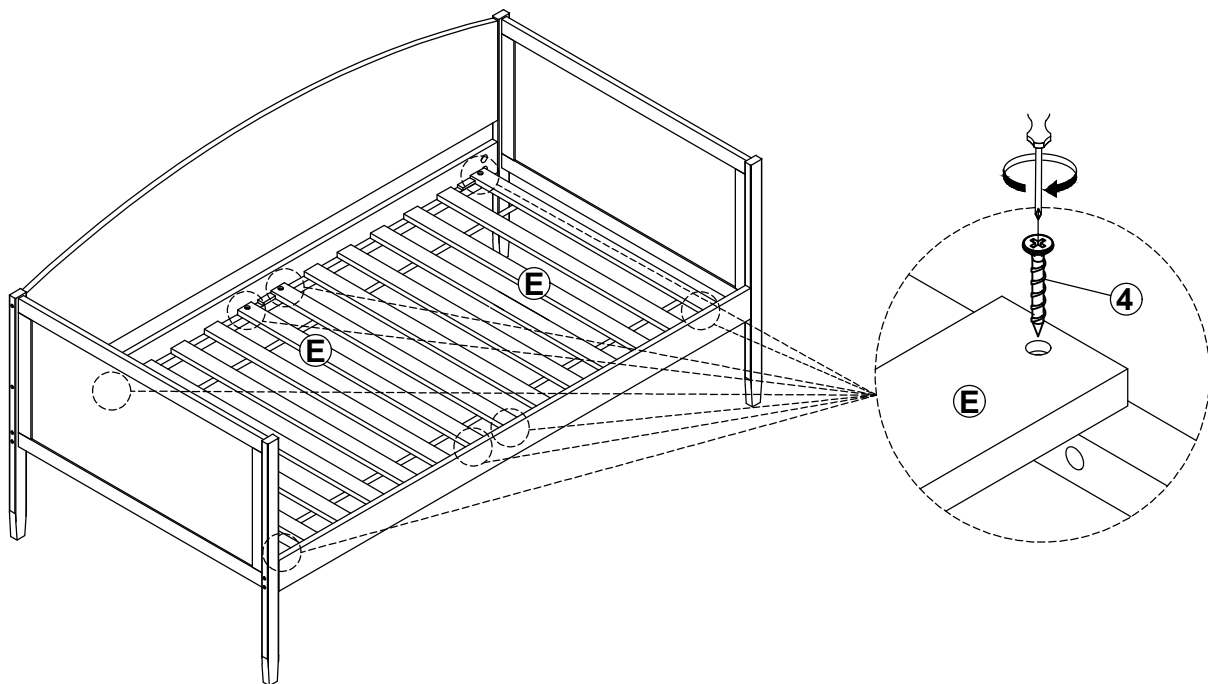
ITEM: 300686(B1-B3)

ASSEMBLY INSTRUCTIONS

STEP 1



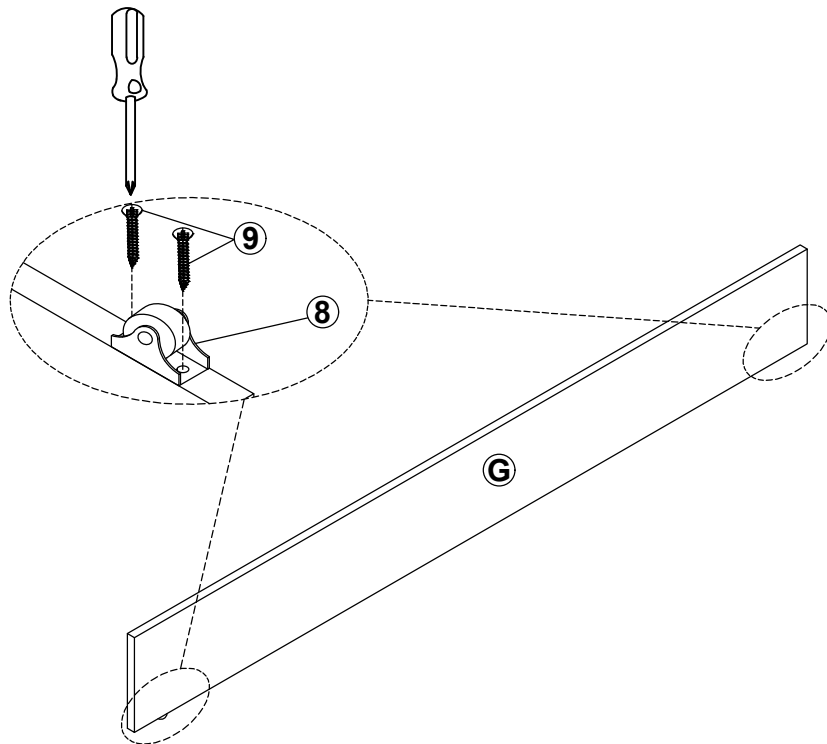
STEP 2



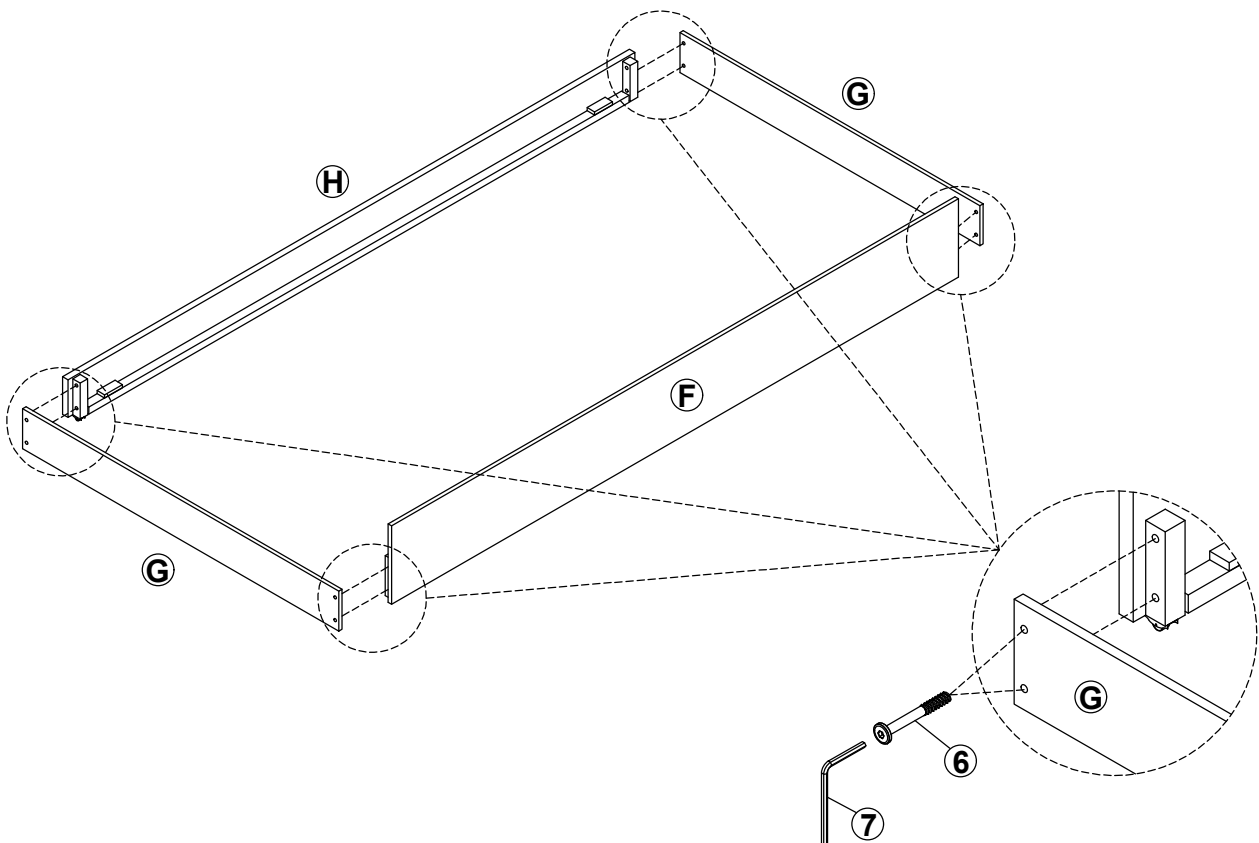
ITEM: 300686(B1-B3)

ASSEMBLY INSTRUCTIONS

STEP 3

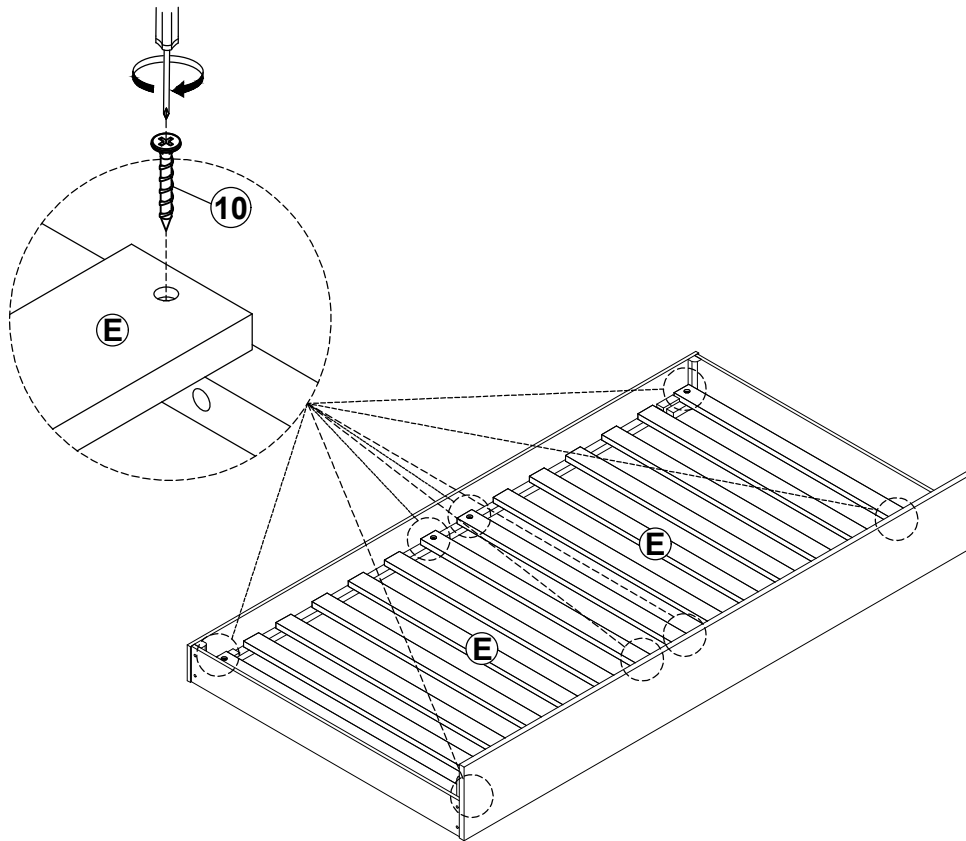


STEP 4

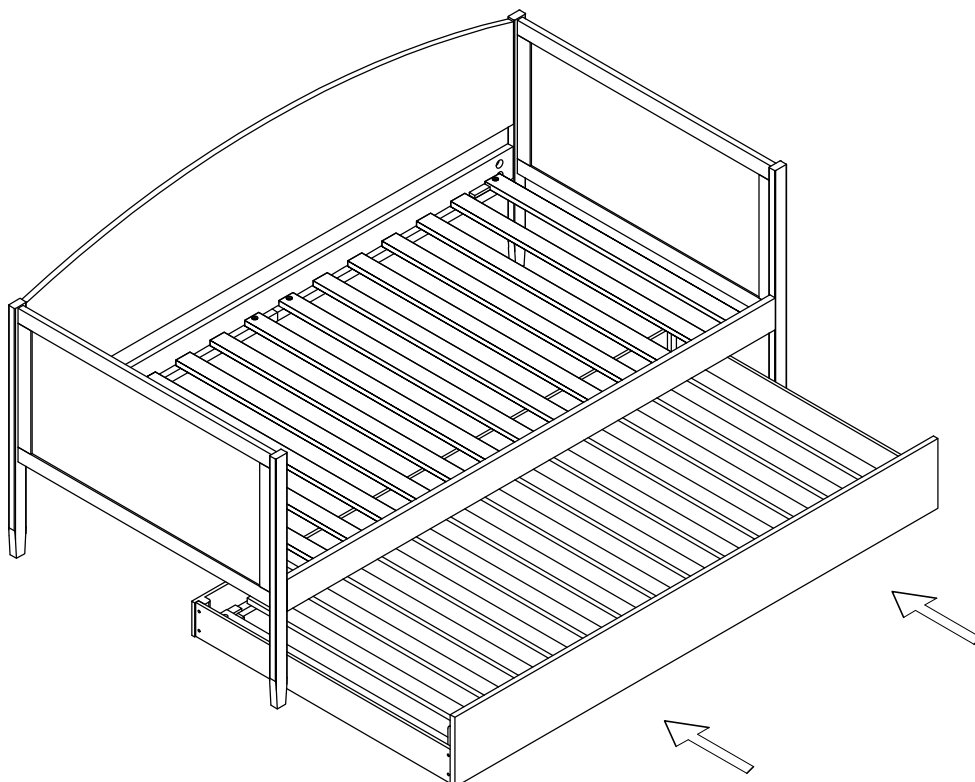


ITEM: **300686(B1-B3)**
ASSEMBLY INSTRUCTIONS

STEP 5



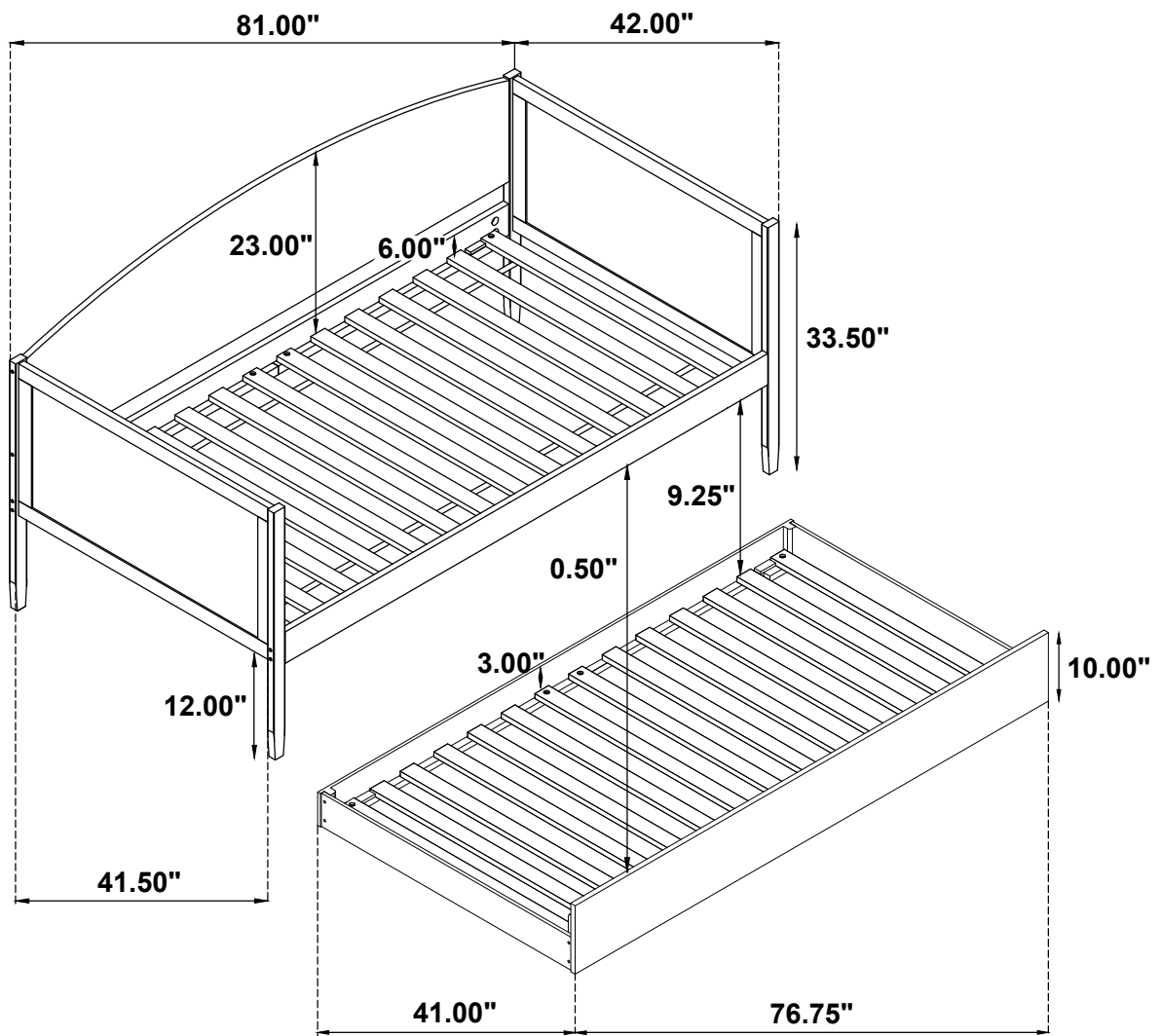
STEP 6
COMPLETE



ITEM: **300686(B1-B3)**



Inner Size: 81.00"W x 42.00"D
Trundle Inner Size: 76.75"W x 41.00"D



Note: Dimension tolerance $\pm 5\%$