



# ASSEMBLY INSTRUCTIONS COASTER FINE FURNITURE



Fine Furniture for every stage of life

# 100194 BAR STOOL

REVISION 0:06/16/2020  
REVISION 1:08/22/2023

PAGE 1 OF 4

COASTERFURNITURE.COM

**ITEM : 100194**  
**ASSEMBLY INSTRUCTIONS**



**ASSEMBLY TIPS:**

1. Remove hardware from box and sort by size.
2. Please check to see that all hardware and parts are present prior to start of assembly.
3. Please follow attached instructions in the same sequence as numbered to assure fast & easy assembly.



**Warning!**

1. Don't attempt to repair or modify parts that are broken or defective. Please contact the store immediately.

2. This product is for home use only and not intended for commercial establishments.



ASSEMBLY TIME	5 MINUTES
---------------	-----------

**PARTS IDENTIFICATION**

	PART NAME	FIGURE	QTY
A	SEAT AND BACK		1PC
B	FOOT REST		1PC
C	GAS CYLINDER		1PC
D	BASE		1PC
E	DECORATIVE RING		1PC

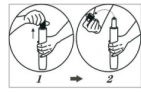
**HARDWARE IDENTIFICATION**

	HARDWARE NAME	FIGURE	QTY
1	BOLTS 3/16" x 16MM		4PCS
2	ALLEN WRENCH M6		1PC

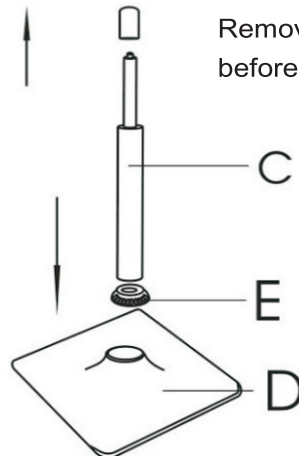
# ITEM : 100194

## ASSEMBLY INSTRUCTIONS

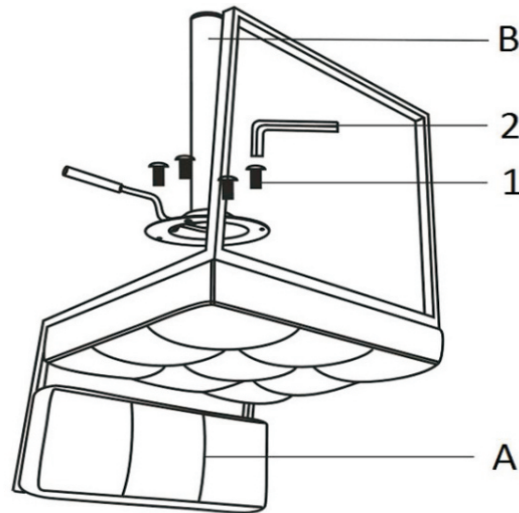
### STEP 1



Remove sheath (black cover)  
before using

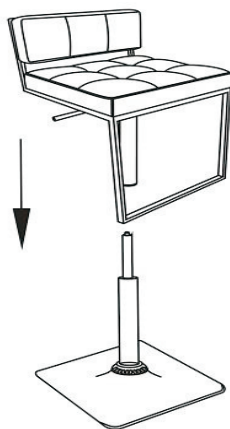


### STEP 2

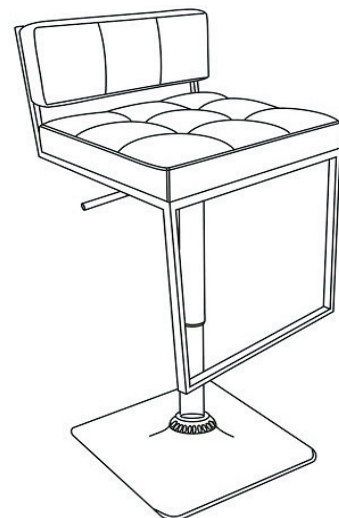


### STEP 3

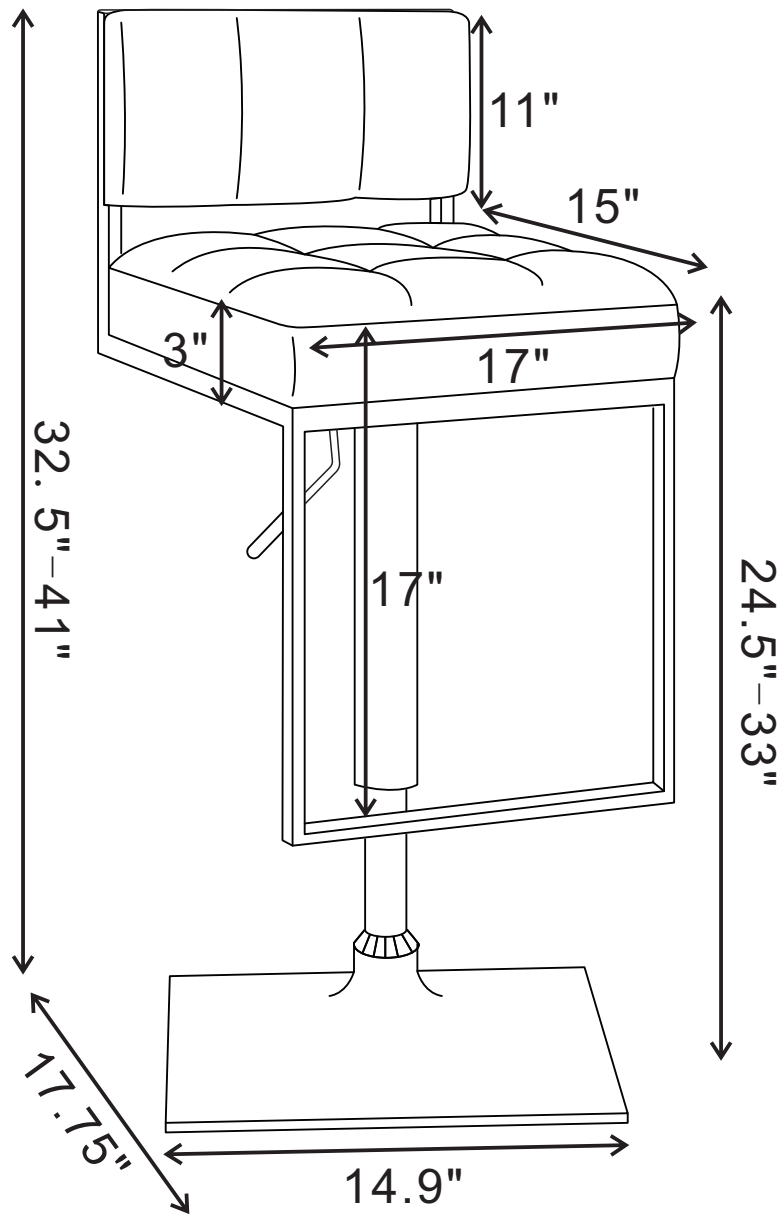
Firmly push top into  
gas spring



### STEP 4



**ITEM : 100194**  
**ASSEMBLY INSTRUCTIONS**



**Note: Dimension tolerance  $\pm 5\%$**