

ASSEMBLY INSTRUCTIONS COASTER FINE FURNITURE



Fine Furniture for every stage of life

100396
BAR STOOL

REVISION 0:06/16/2020
REVISION 1:11/14/2024

COASTERFURNITURE.COM

ITEM : 100396
ASSEMBLY INSTRUCTIONS



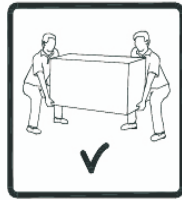
ASSEMBLY TIPS:

1. Remove hardware from box and sort by size.
2. Please check to see that all hardware and parts are present prior to start of assembly.
3. Please follow attached instructions in the same sequence as numbered to assure fast & easy assembly.



Warning!


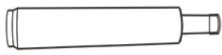


1. Don't attempt to repair or modify parts that are broken or defective. Please contact the store immediately.
2. This product is for home use only and not intended for commercial establishments.



ASSEMBLY TIME

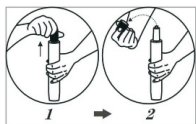
5 MINUTES

PARTS IDENTIFICATION

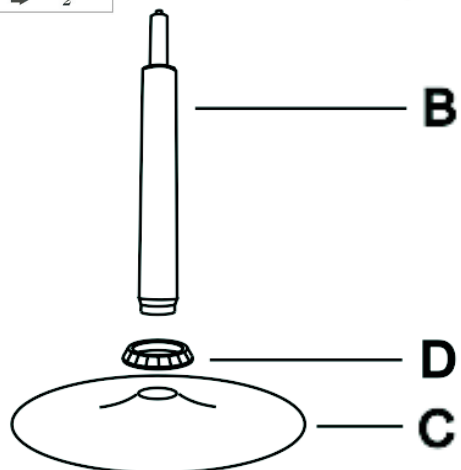
	PART NAME	FIGURE	QTY
A	SEAT		1 PC
B	GAS CYLINDER		1 PC
C	BASE		1 PC
D	COVER RING		1 PC

ITEM :100396
ASSEMBLY INSTRUCTIONS

STEP1



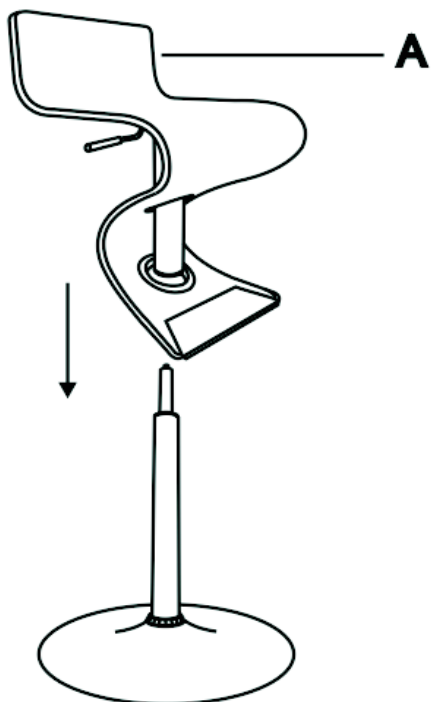
 Please pull out the sheath before using



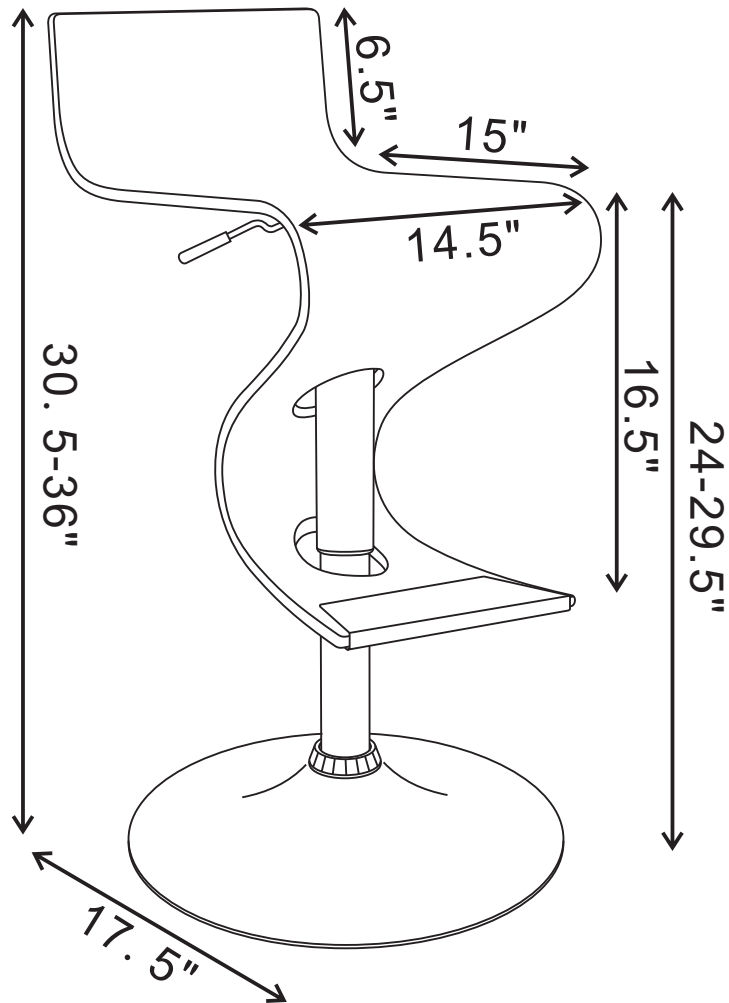
STEP3



STEP2



ITEM :100396
ASSEMBLY INSTRUCTIONS



Note:Dimension tolerance±5%

COASTERFURNITURE.COM