

# ASSEMBLY INSTRUCTIONS COASTER FINE FURNITURE



Fine Furniture for every stage of life

100737  
BAR STOOL

REVISION 0:06/16/2020  
REVISION 1:08/04/2022  
REVISION 2:11/29/2024

COASTERFURNITURE.COM

**ITEM :100737**  
**ASSEMBLY INSTRUCTIONS**



**ASSEMBLY TIPS:**

1. Remove hardware from box and sort by size.
2. Please check to see that all hardware and parts are present prior to start of assembly.
3. Please follow attached instructions in the same sequence as numbered to assure fast & easy assembly.





**Warning!**

1. Don't attempt to repair or modify parts that are broken or defective. Please contact the store immediately.
2. This product is for home use only and not intended for commercial establishments.







**ASSEMBLY TIME 5 MINUTES**

**PARTS IDENTIFICATION**

	<b>PART NAME</b>	<b>FIGURE</b>	<b>QTY</b>
<b>A</b>	<b>BACK REST</b>		<b>1PC</b>
<b>B</b>	<b>BASE</b>		<b>1PC</b>

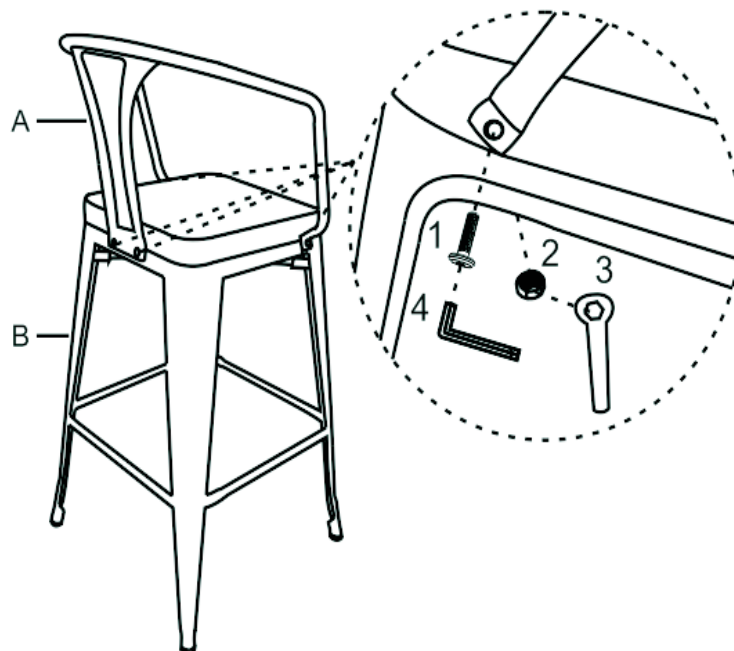
**HARDWARE IDENTIFICATION**

	<b>HARDWARE NAME</b>	<b>FIGURE</b>	<b>QTY</b>
<b>1</b>	<b>BOLTS M6x16MM</b>		<b>4PCS</b>
<b>2</b>	<b>HEXAGON NUT</b>		<b>4PCS</b>
<b>3</b>	<b>SPANNER</b>		<b>1PC</b>
<b>4</b>	<b>ALLEN WRENCH M6</b>		<b>1PC</b>

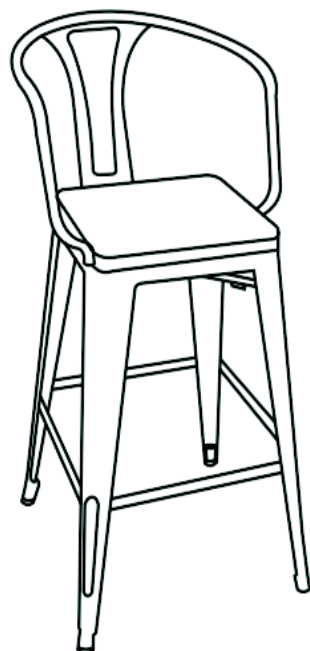
ITEM :100737  
ASSEMBLY INSTRUCTIONS



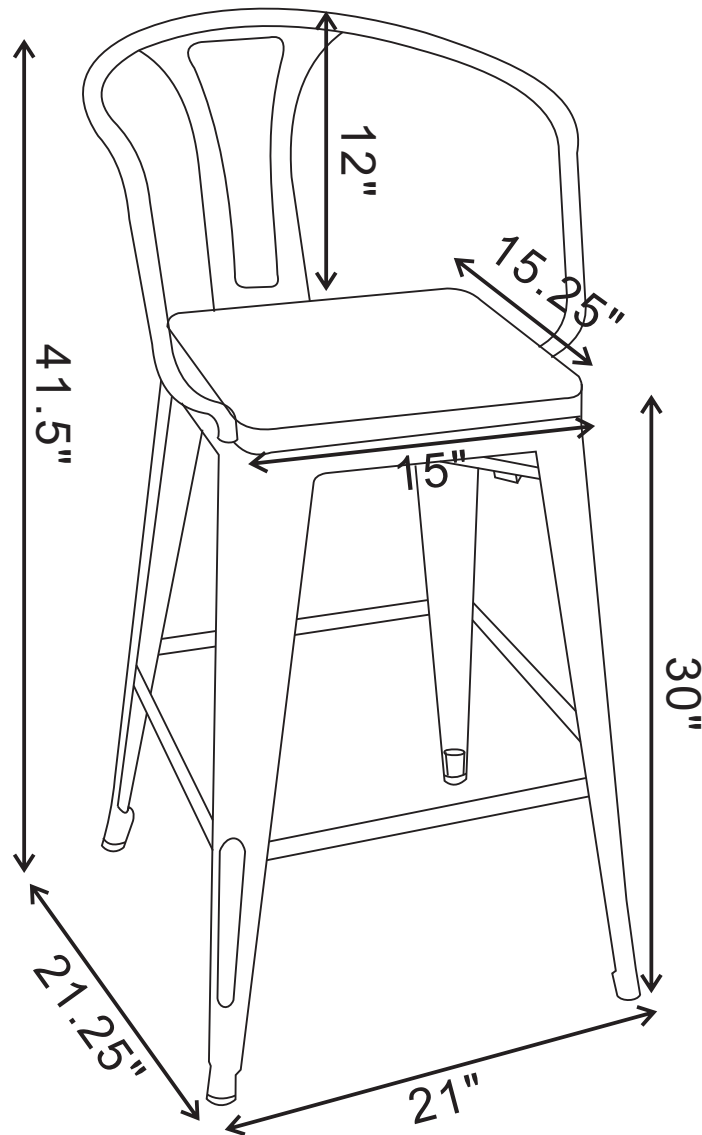
STEP1



STEP2



ITEM :100737  
ASSEMBLY INSTRUCTIONS



Note:Dimension tolerance±5%

COASTERFURNITURE.COM