

ASSEMBLY INSTRUCTION
COASTER FINE FURNITURE



Fine Furniture for every stage of life

101060
BAR STOOL

REVISION 0 : 05/24/2019
REVISION 1 : 11/15/2023

ITEM: 101060



ASSEMBLY INSTRUCTIONS

ASSEMBLY TIPS:

1. Remove hardware from box and sort by size.
2. Please check to see that all hardware and parts are present prior to start of assembly.
3. Please follow attached instructions in the same sequence as numbered to assure fast & easy assembly.



Warning!

1. Don't attempt to repair or modify parts that are broken or defective. Please contact the store immediately.
2. This product is for home use only and not intended for commercial establishments.

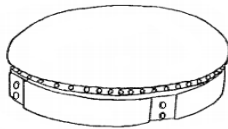


ASSEMBLY TIME

20 MINUTES

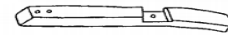
PARTS IDENTIFICATION

A SEAT



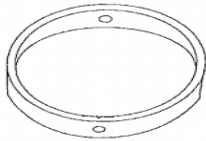
1PC

C LEG



4PCS

B BASE



1PCS

HARDWARE IDENTIFICATION

1 WRENCH
4mm



1PC

5 FLAT WASHER#2
1/4"×19mm



8PCS

2 LONG BOTL
1/4"×1-3/4"



8PCS

6 SHORT BOLT
1/4"×1-1/8"



4PCS

3 LOCK WASHER
1/4"×11mm



12PCS

7 WOOD CAP
9mm



4PCS

4 FLAT WASHER#1
1/4"×12mm



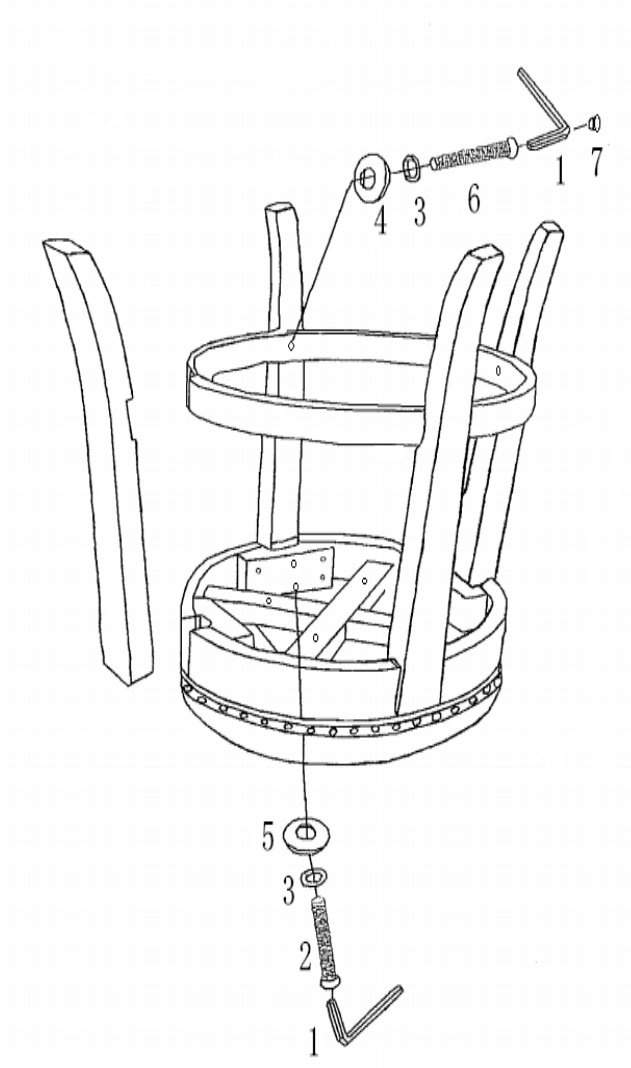
4PCS

NOTE :

QUANTITIES SHOWN ARE FOR ONE STOOL.
PHILLIPS HEAD SCREW DRIVER IS REQUIRED IN THE ASSEMBLY PROCESS;HOWEVER, MANUFACTURER DOES NOT PROVIDE THIS ITEM.

ITEM: 101060

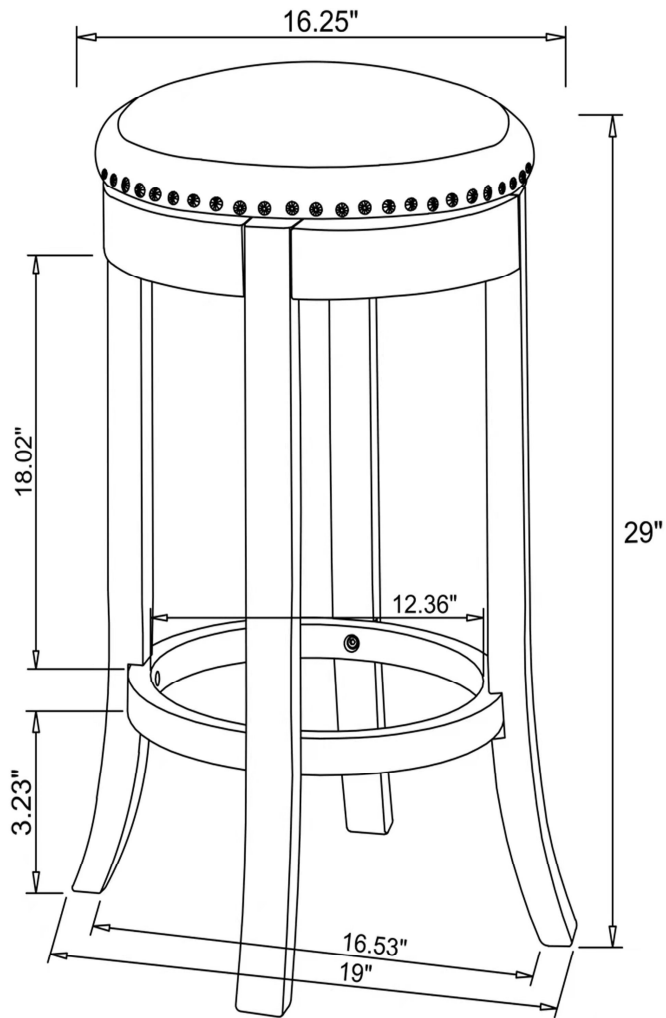
ASSEMBLY INSTRUCTIONS
STEP 1



NOTE :

PHILLIPS HEAD SCREW DRIVER IS REQUIRED IN THE ASSEMBLY PROCESS;HOWEVER, MANUFACTURER DOES NOT PROVIDE THIS ITEM.

ITEM:101060



NOTE:

Dimension tolerance $\pm 5\%$