

# ASSEMBLY INSTRUCTIONS COASTER FINE FURNITURE



Fine Furniture for every stage of life

## 102535 COUNTER STOOL

REVISION 0:06/16/2020  
REVISION 1:07/09/2021  
REVISION 2:07/15/2024

COASTERFURNITURE.COM

**ITEM :102535**  
**ASSEMBLY INSTRUCTIONS**



**ASSEMBLY TIPS:**

1. Remove hardware from box and sort by size.
2. Please check to see that all hardware and parts are present prior to start of assembly.
3. Please follow attached instructions in the same sequence as numbered to assure fast & easy assembly.



**Warning!**

1. Don't attempt to repair or modify parts that are broken or defective. Please contact the store immediately.
2. This product is for home use only and not intended for commercial establishments.



**ASSEMBLY TIME 5 MINUTES**

**PARTS IDENTIFICATION**

NO	PART NAME	FIGURE	QTY
A	SEAT AND BACK		1PC
B	LEFT LEG FRAME		1PC
C	RIGHT LEG FRAME		1PC
D	CROSSBAR		2PCS

**Z**

**HARDWARE IDENTIFICATION**

NO	DESCRIPTION	FIGURE	QTY
1	BOLT (M6 x 22mm - BLK)		4PCS
2	BOLT (M8 x 14mm - BLK)		2PCS
3	BOLT (M6 x 30mm - BLK)		4PCS
4	ALLEN WRENCH (M6 - BLK)		1PC

**NOTE:**

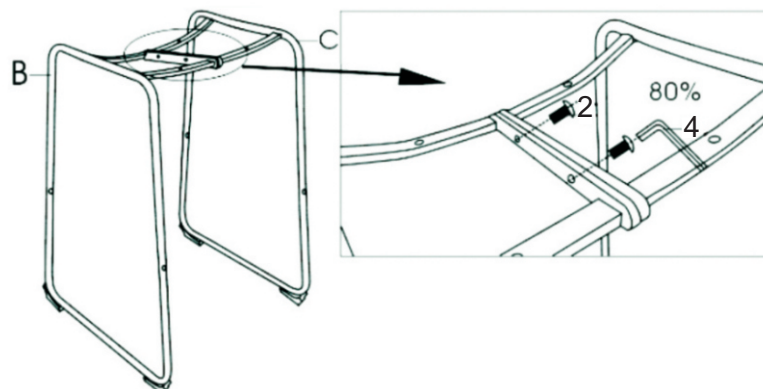
Quantities shown are for one chair.

COASTERFURNITURE.COM

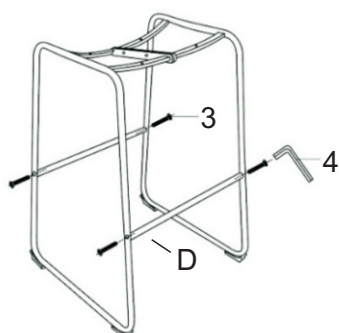
ITEM :102535  
ASSEMBLY INSTRUCTIONS



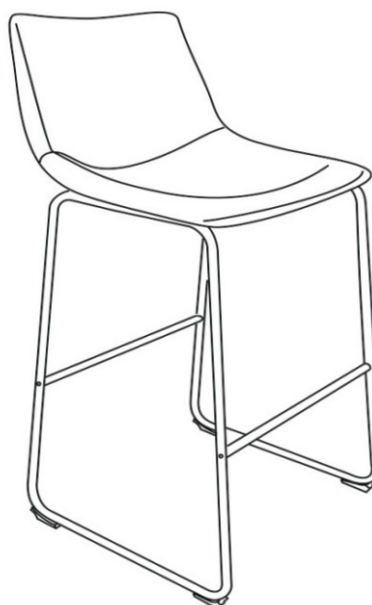
STEP1



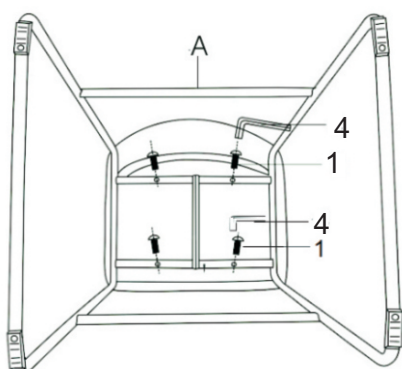
STEP2



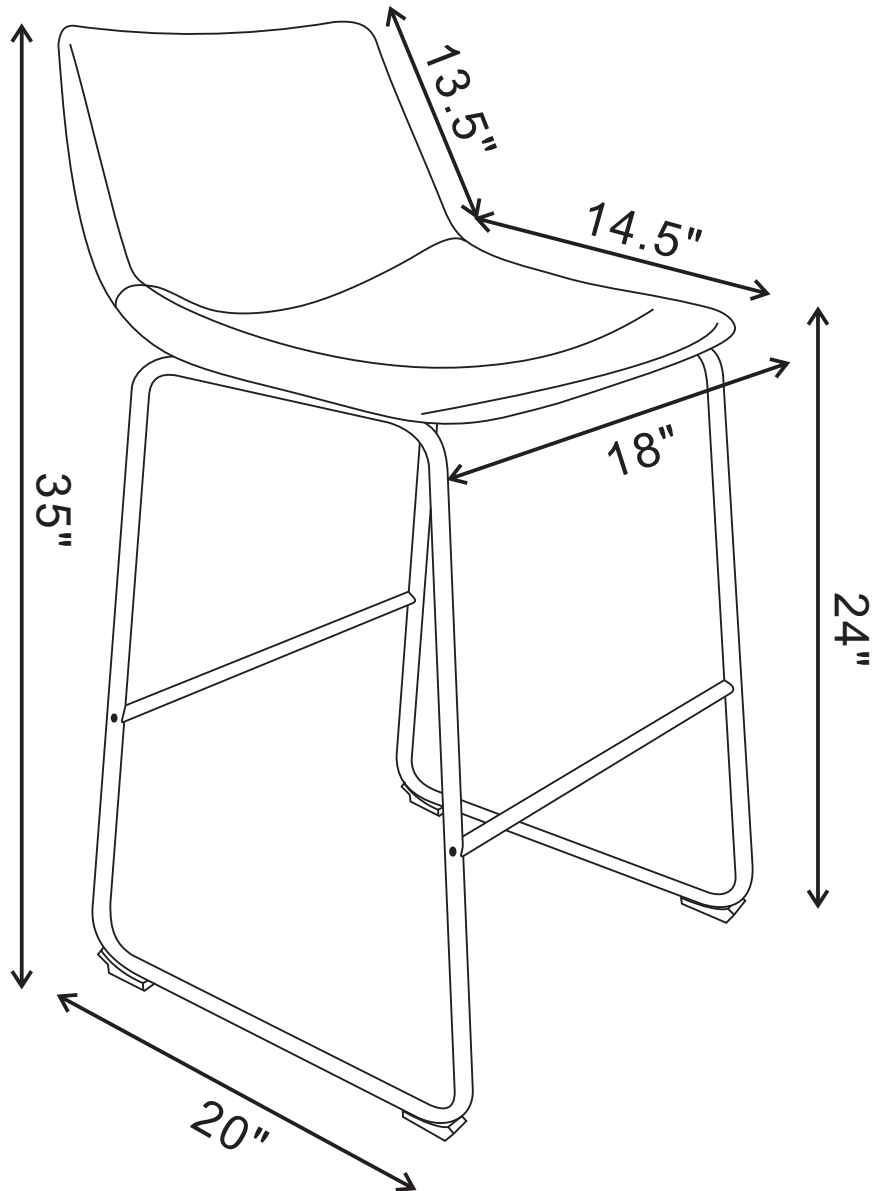
STEP4



STEP3



ITEM :102535  
ASSEMBLY INSTRUCTIONS



Note:Dimension tolerance±5%

COASTERFURNITURE.COM