



*ASSEMBLY INSTRUCTIONS*  
*COASTER FINE FURNITURE*



*Fine Furniture for every stage of life*

**108811**  
***Dining Table***

# ITEM: 108811 (B1-B3)



## ASSEMBLY INSTRUCTIONS

### ASSEMBLY TIPS:

1. Remove hardware from box and sort by size.
2. Please check to see that all hardware and parts are present prior to start of assembly.
3. Please follow attached instructions in the same sequence as numbered to assure fast & easy assembly.



### WARNING!

1. Don't attempt to repair or modify parts that are broken or defective. Please contact the store immediately.
2. This product is for home use only and not intended for commercial establishments.



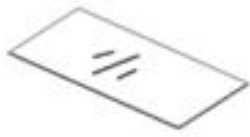
ASSEMBLY TIME

30 MINUTES

## PARTS IDENTIFICATION

### B1 ( BOX 1)

A GLASS TOP



1PC

### B2 ( BOX 2)

B TOP FRAME



1PC

C LEG



2PCS

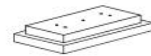
D CROSSBAR



1PC

### B3 ( BOX 3)

E BASE



2PCS

### NOTE:

Phillips head screw driver is required in the assembly process; however, manufacturer does not provide this item.

# ITEM:108811 (B1-B3)

## ASSEMBLY INSTRUCTIONS

### ASSEMBLY TIPS:

1. Remove hardware from box and sort by size.
2. Please check to see that all hardware and parts are present prior to start of assembly.
3. Please follow attached instructions in the same sequence as numbered to assure fast & easy assembly.








### WARNING!

1. Don't attempt to repair or modify parts that are broken or defective. Please contact the store immediately.
2. This product is for home use only and not intended for commercial establishments.

## HARDWARE IDENTIFICATION

### Z-B2 (BOX 2) - HARDWARE PACK IS LOCATED IN 108811(B2)

1	FLAT WASHER D20*2		18PCS
2	SHORT BOLT (M8*70mm)		8PCS
3	ALLEN WRENCH		1PC
4	SHORT BOLT (M8*40mm)		8PCS
5	GLASS REST		12PCS
6	SHORT BOLT (M8*140mm)		2PCS

Hardware pack is located in 108811 B2

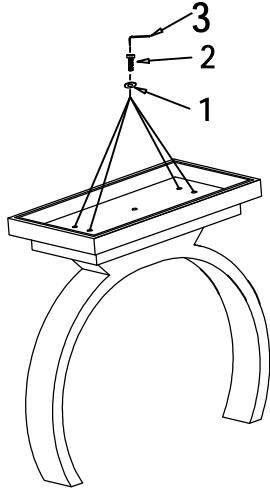
### NOTE:

Phillips head screw driver is required in the assembly process; however, manufacturer does not provide this item.

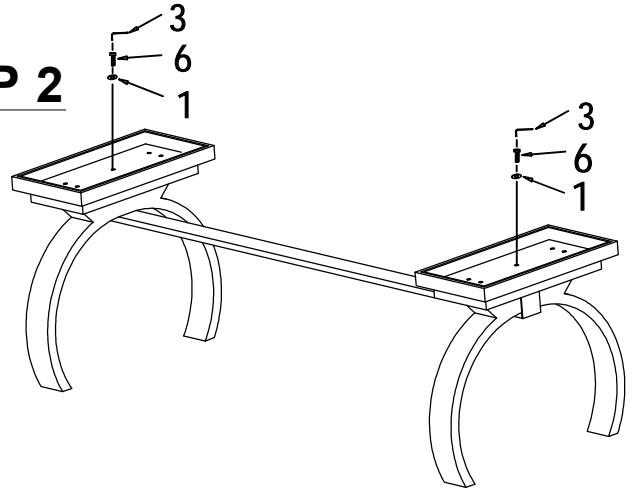
ITEM:108811 (B1-B3)

**ASSEMBLY INSTRUCTIONS**

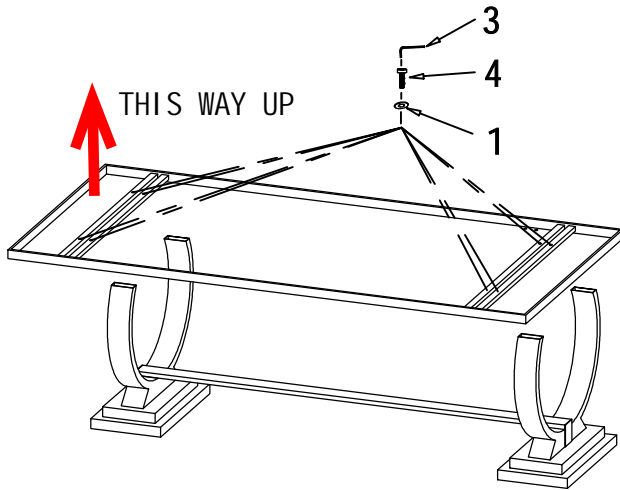
**STEP 1**



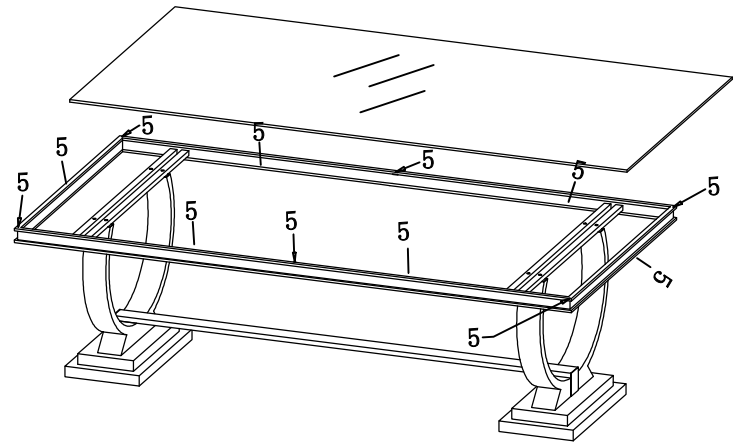
**STEP 2**



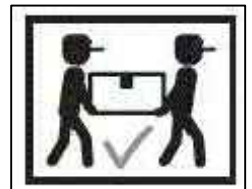
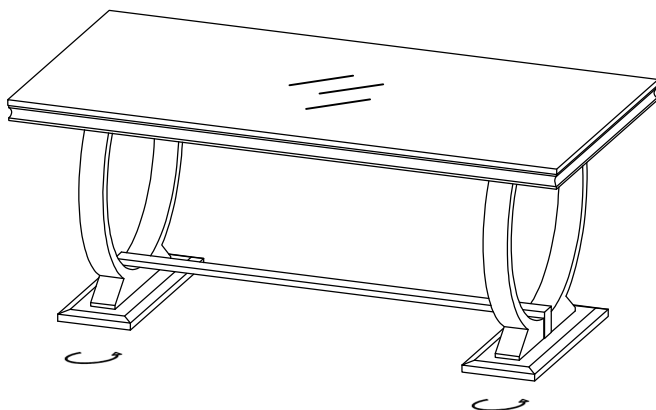
**STEP 3**



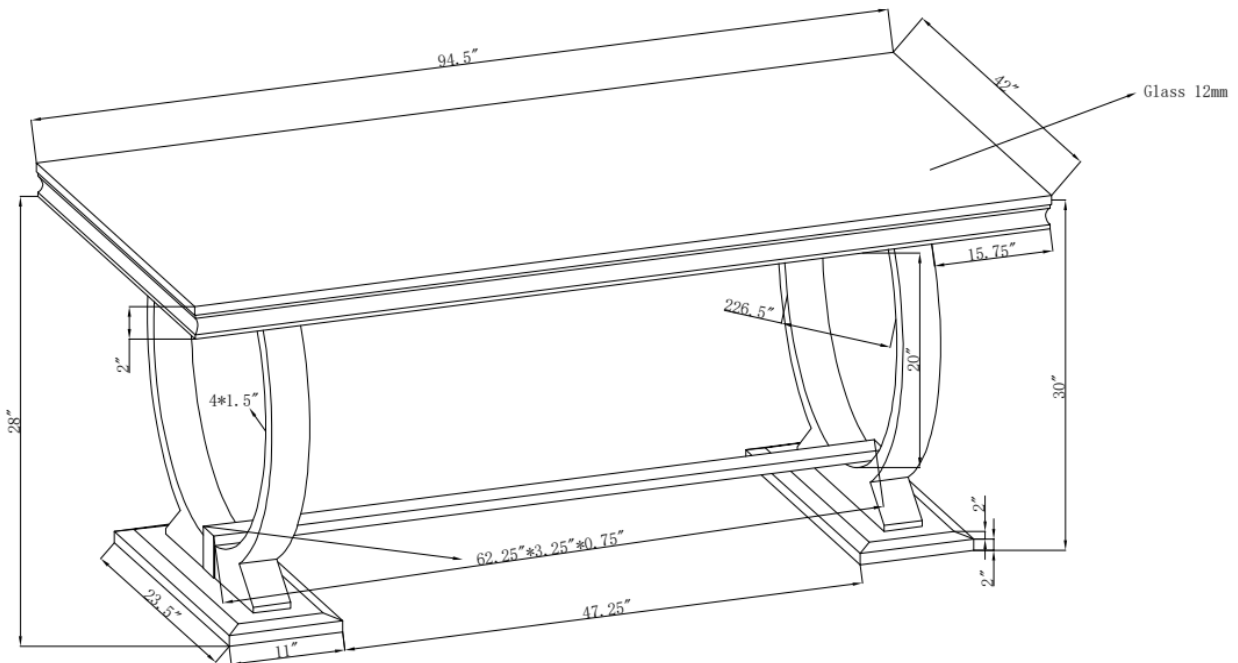
**STEP 4**



**STEP 5**



**ITEM:108811 (B1-B3)**



**Note : Dimension tolerance  $\pm 5\%$**