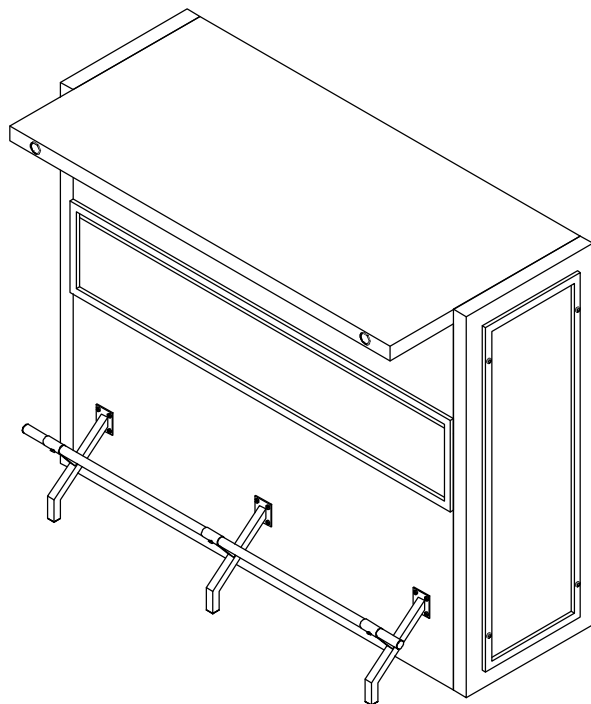


ASSEMBLY INSTRUCTIONS
COASTER FINE FURNITURE



Fine Furniture for every stage of life

182071
BAR UNIT

ITEM:182071



ASSEMBLY INSTRUCTIONS

ASSEMBLY TIPS:

1. Remove hardware from box and sort by size.
2. Please check to see that all hardware and parts are present prior to start of assembly.
3. Please follow attached instructions in the same sequence as numbered to assure fast & easy assembly.



WARNING!

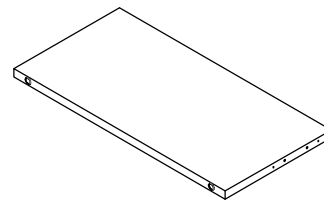
1. Don't attempt to repair or modify parts that are broken or defective. Please contact the store immediately.
2. This product is for home use only and not intended for commercial establishments.



ASSEMBLY TIME 95 MINUTES

PARTS IDENTIFICATION

A TOP PANEL 1PC



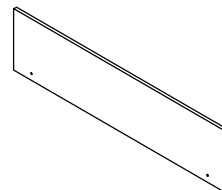
B LEFT PANEL 1PC



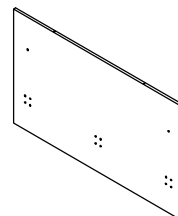
C RIGHT PANEL 1PC



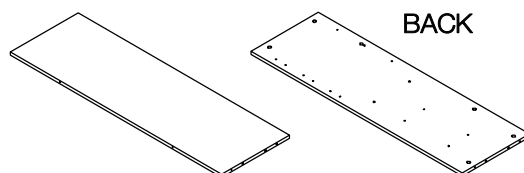
D FRONT TOP PANEL 1PC



E FRONT BOTTOM PANEL 1PC



F TOP SHELF PANEL 1PC

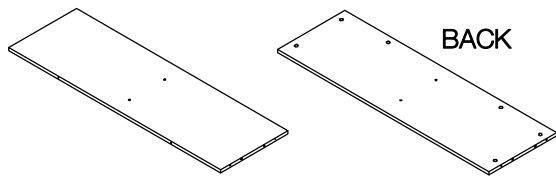
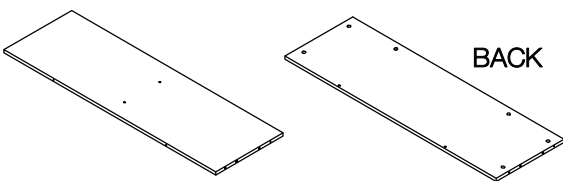
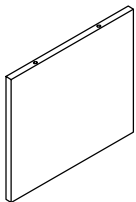
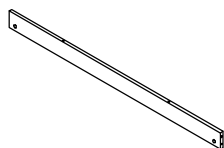

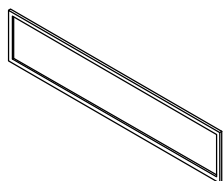
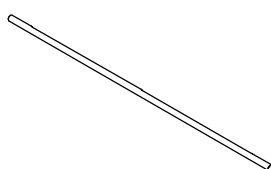


ITEM:182071



ASSEMBLY INSTRUCTIONS

PARTS IDENTIFICATION

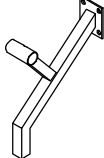
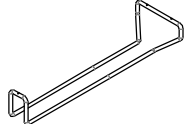
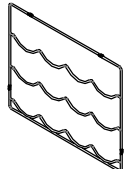
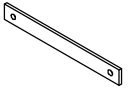
G	MIDDLE SHELF PANEL		1PC
H	BOTTOM SHELF PANEL		1PC
I	SUPPORT PANEL		2PCS
J	LEG PANEL		1PC
K	LEFT AND RIGHT FRAME		2PCS
L	FRONT FRAME		1PC
M	FOOT REST BAR		1PC

ITEM:182071

ASSEMBLY INSTRUCTIONS

HARDWARE IDENTIFICATION



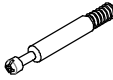








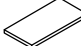







N	BOTTOM LEG SUPPORT		3PCS
O	GLASS HOLDER		3PCS
P	BOTTLE RACK		2PCS
Q	BOTTLE RACK METAL		2PCS

ITEM:182071

ASSEMBLY INSTRUCTIONS



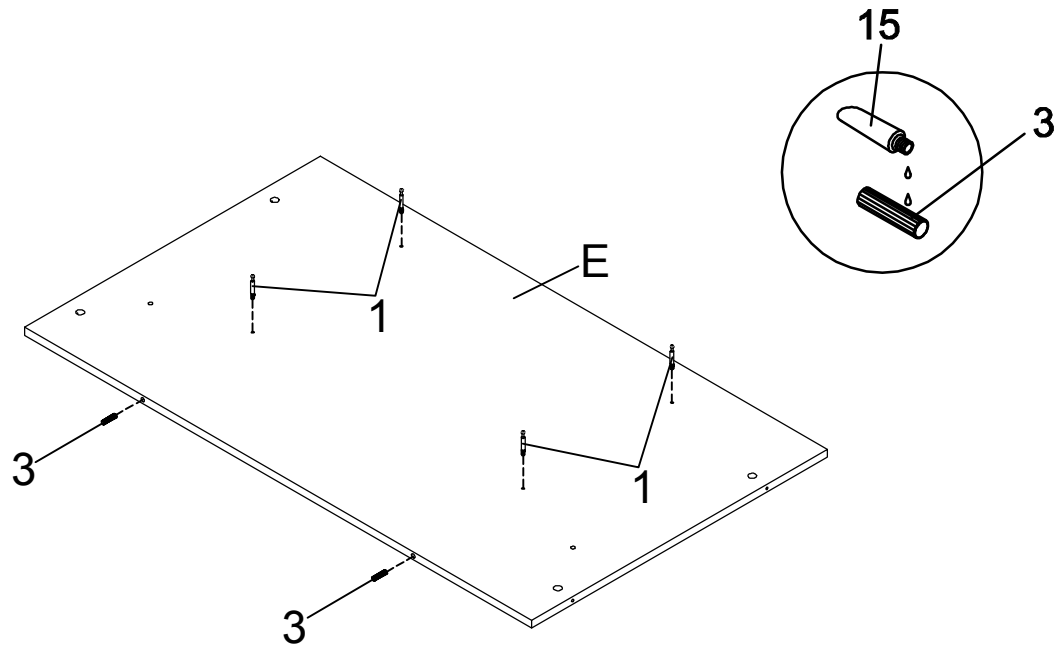
HARDWARE IDENTIFICATION

1	CAM-BOLT (45mm)		32PCS	10	SCREW (8# x 12mm)		13PCS
2	LARGE CAM-LOCK (ϕ 15mm)		32PCS	11	ROUND CAP (ϕ 21mm BLK)		2PCS
3	WOOD DOWEL (ϕ 8 x 30mm)		26PCS	12	CAP (20 x 20mm BLK)		3PCS
4	LONG WOOD DOWEL (ϕ 8 x 50mm)		2PCS	13	COVER (ϕ 11mm)		8PCS
5	SHORT BOLT (1/4" x 12mm)		15PCS	14	ADHESIVE		4PCS
6	LONG BOLT (1/4" x 22mm)		8PCS	15	GLUE		1PC
7	FRONT FRAME BOLT (1/4" x 22mm)		4PCS	16	ALLEN WRENCH (4mm)		1PC
8	BOTTLE RACK BOLT (3/16" x 12mm)		4PCS	17	HEXAGONAL KEY (3/16")		1PC
9	NUT (3/16")		4PCS				

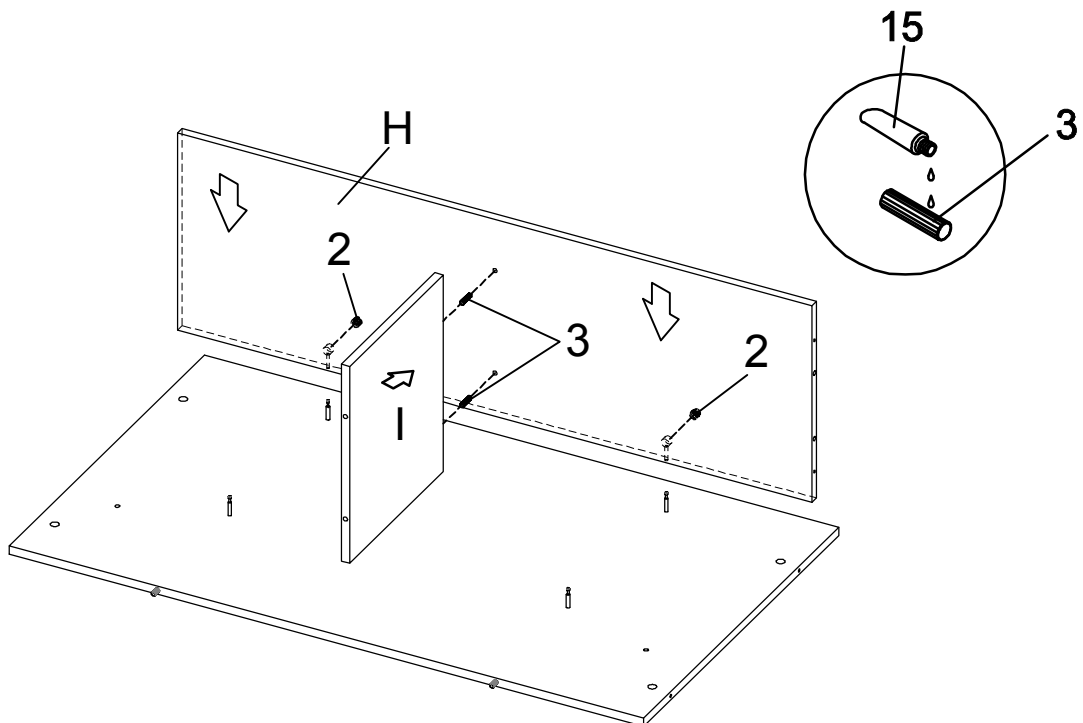
ITEM: 182071 ASSEMBLY INSTRUCTIONS



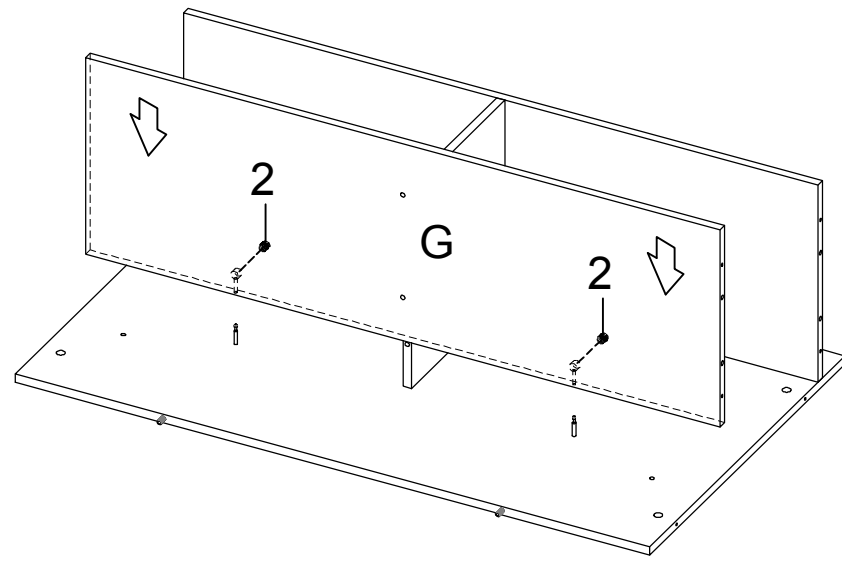
STEP 1 Do not tighten until each step is completed or instructed.



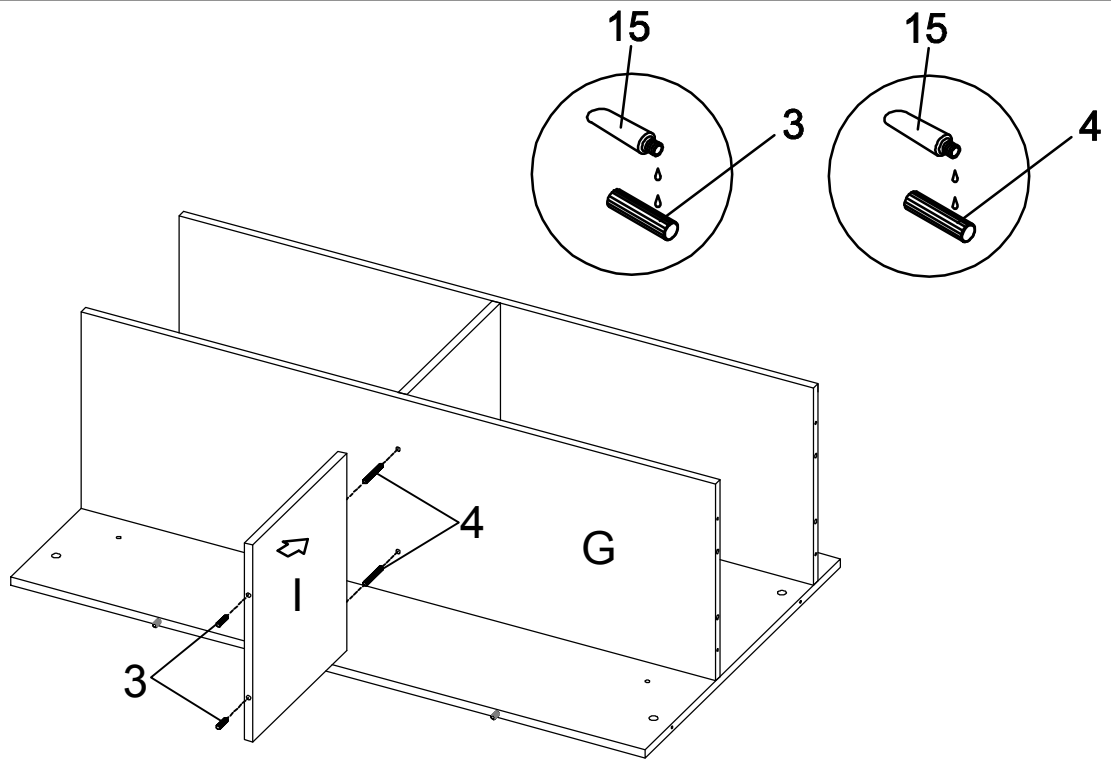
STEP 2



ITEM: 182071
ASSEMBLY INSTRUCTIONS
STEP 3



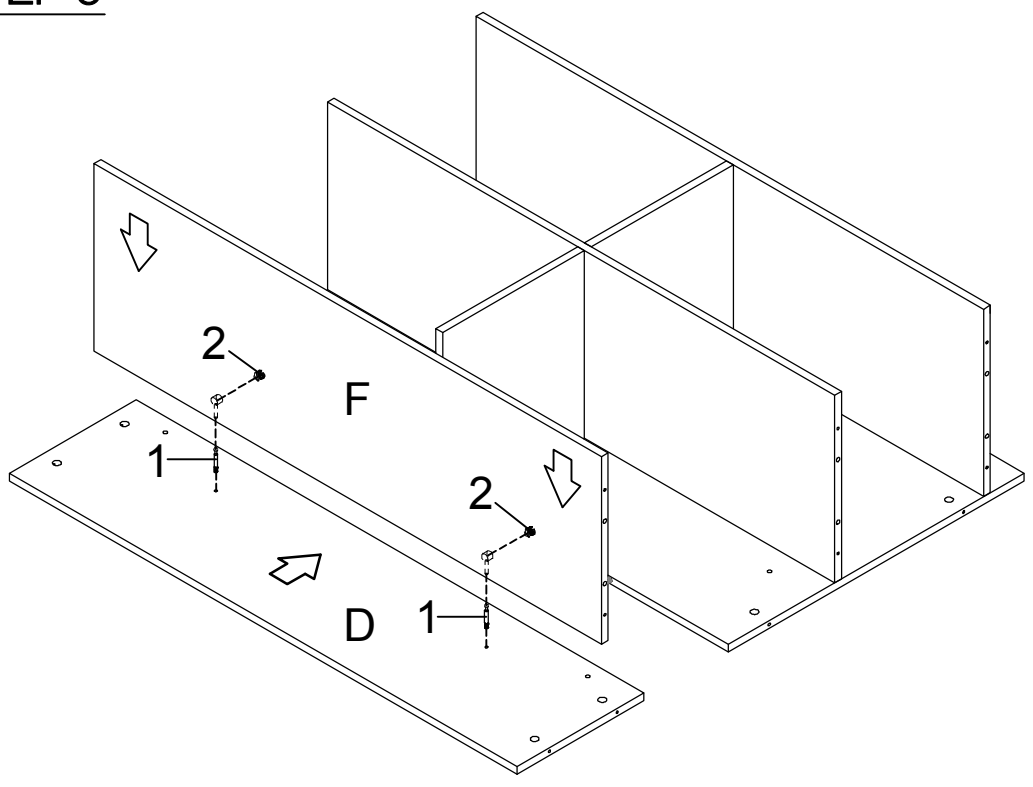
STEP 4



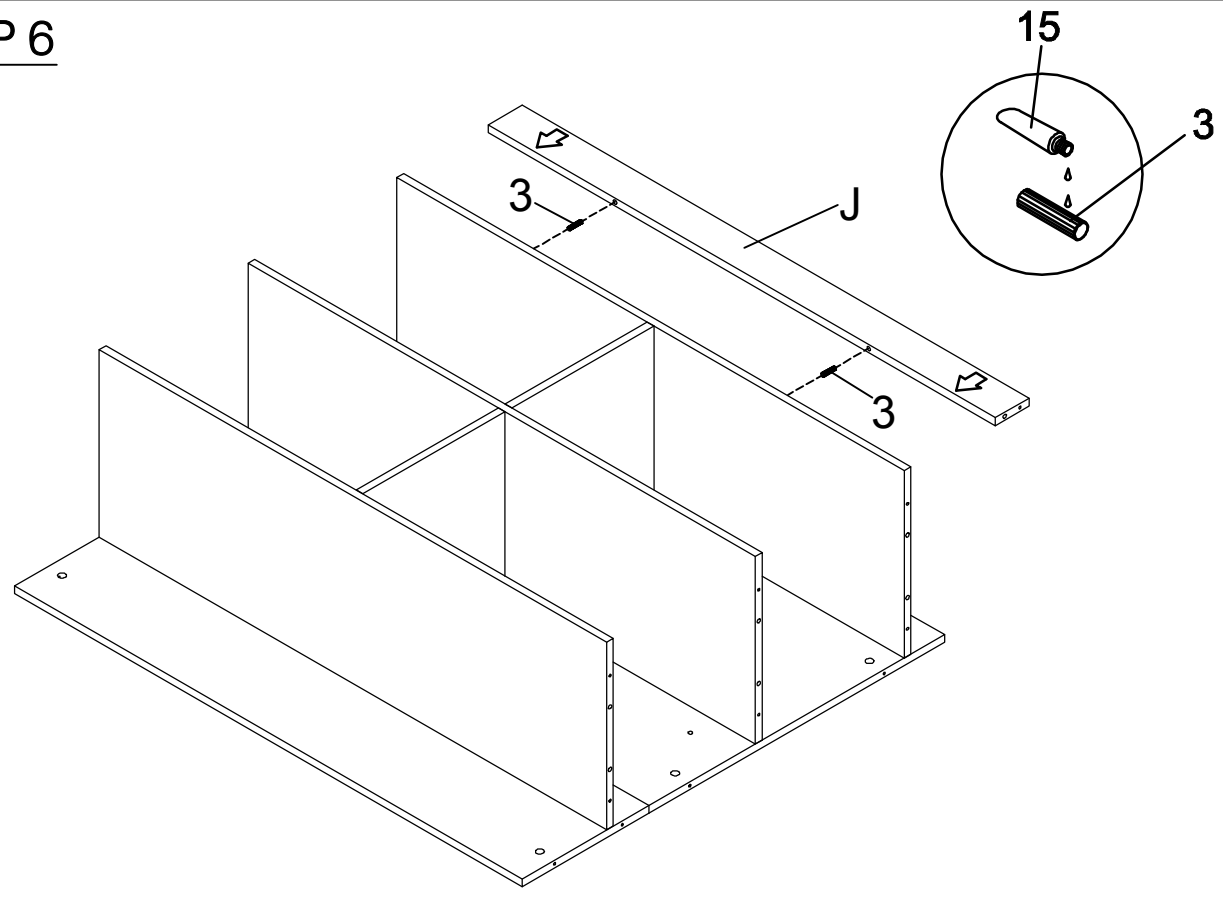
ITEM: 182071
ASSEMBLY INSTRUCTIONS



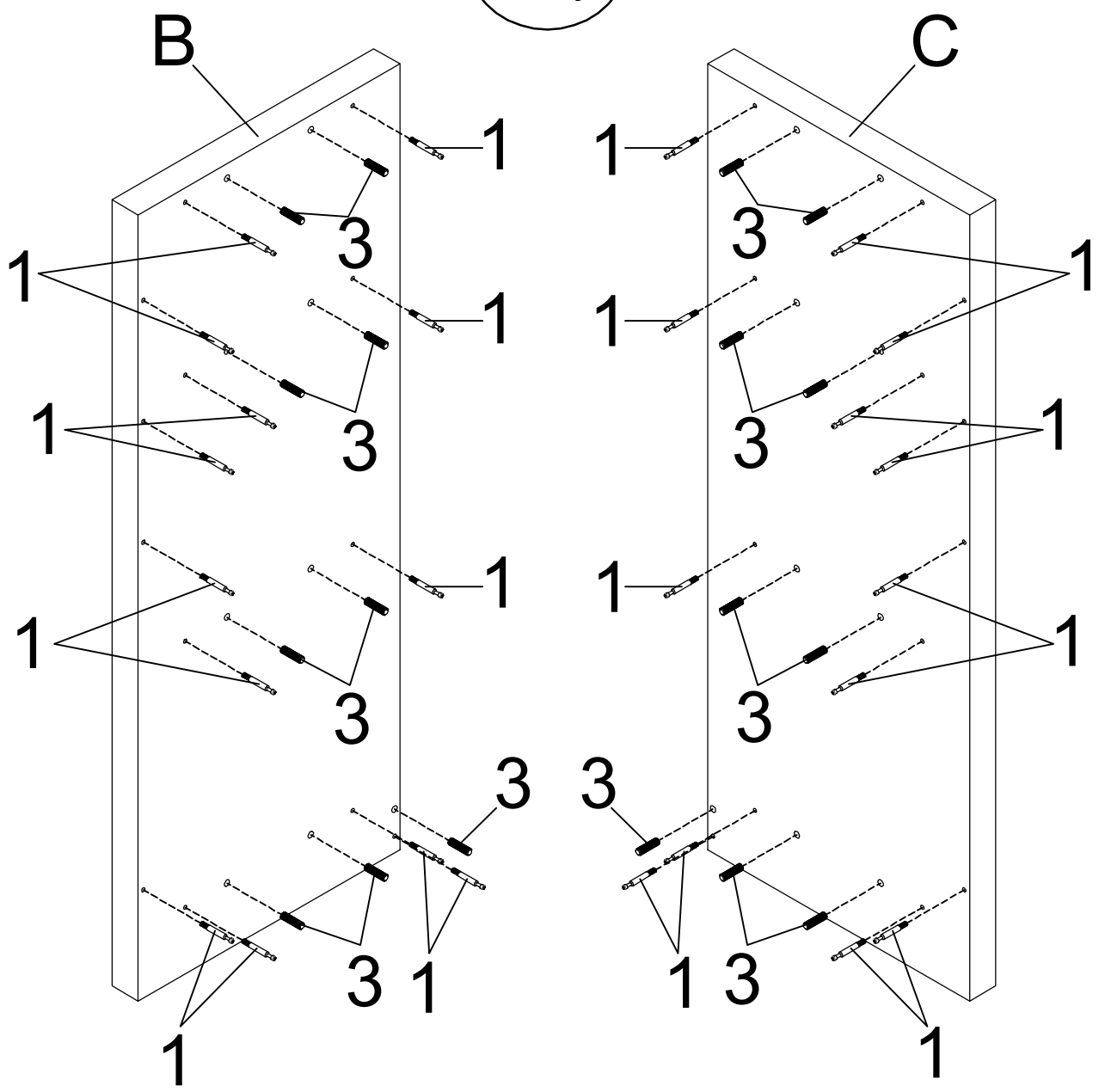
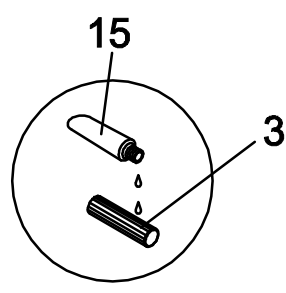
STEP 5



STEP 6



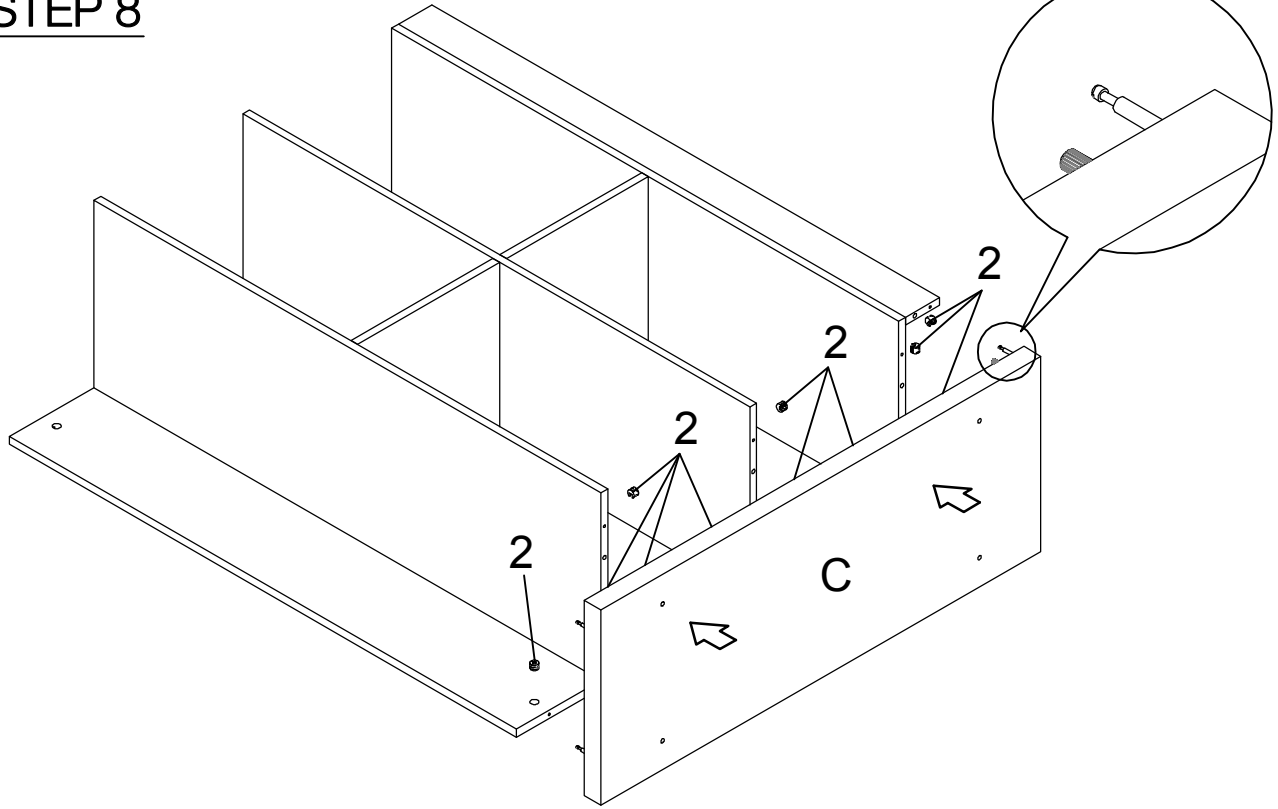
ITEM: 182071
ASSEMBLY INSTRUCTIONS
STEP 7



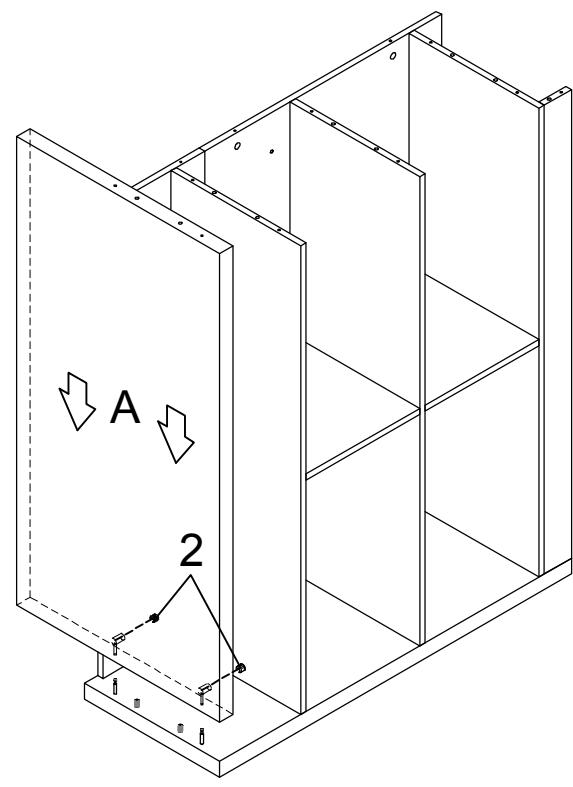
ITEM: 182071
ASSEMBLY INSTRUCTIONS



STEP 8



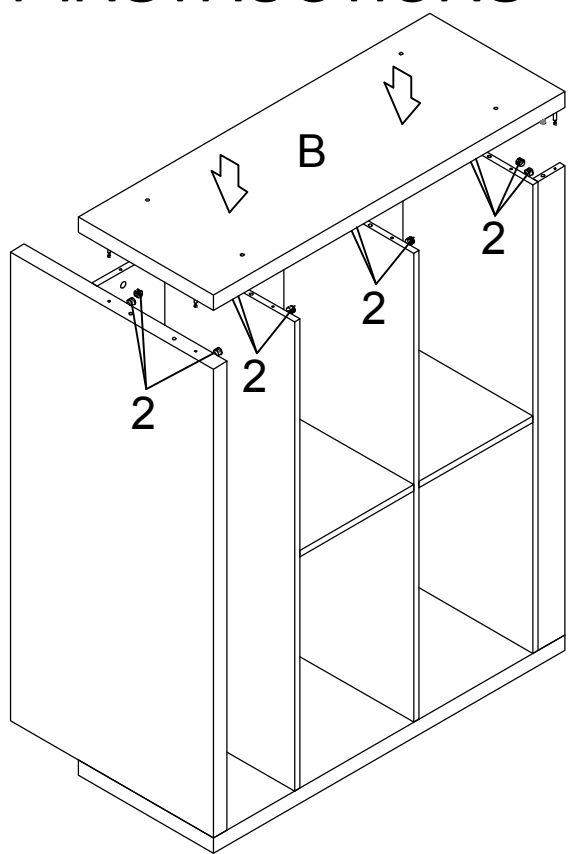
STEP 9



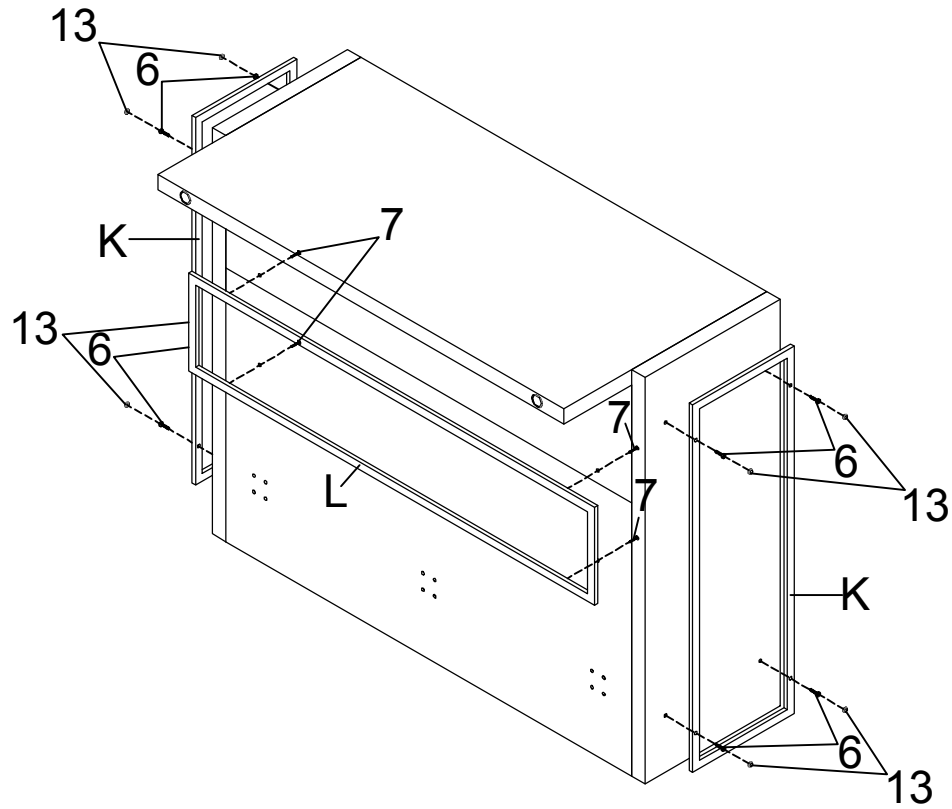
ITEM: 182071
ASSEMBLY INSTRUCTIONS



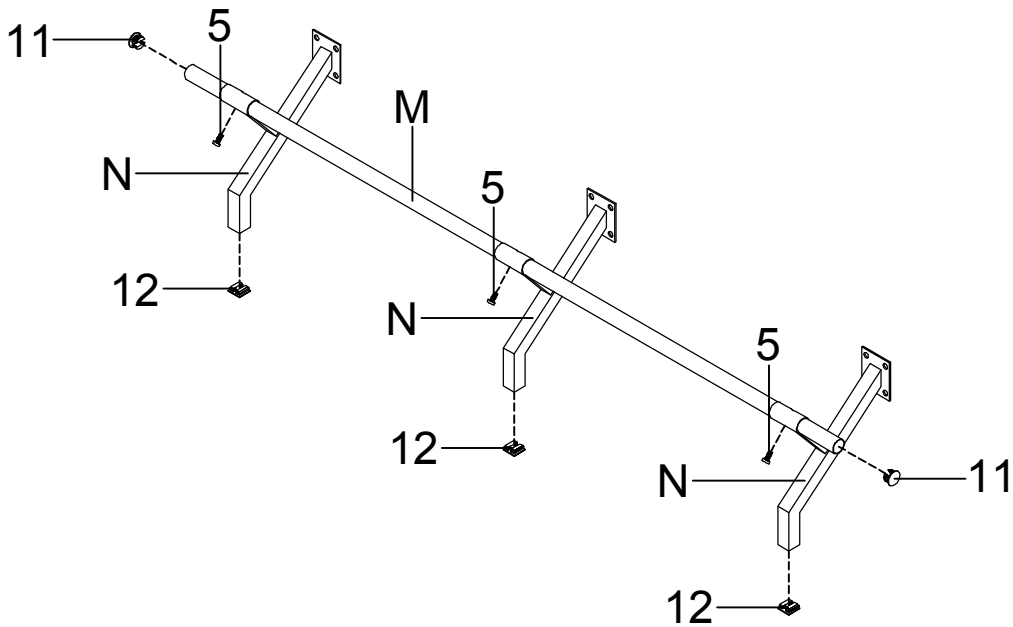
STEP 10



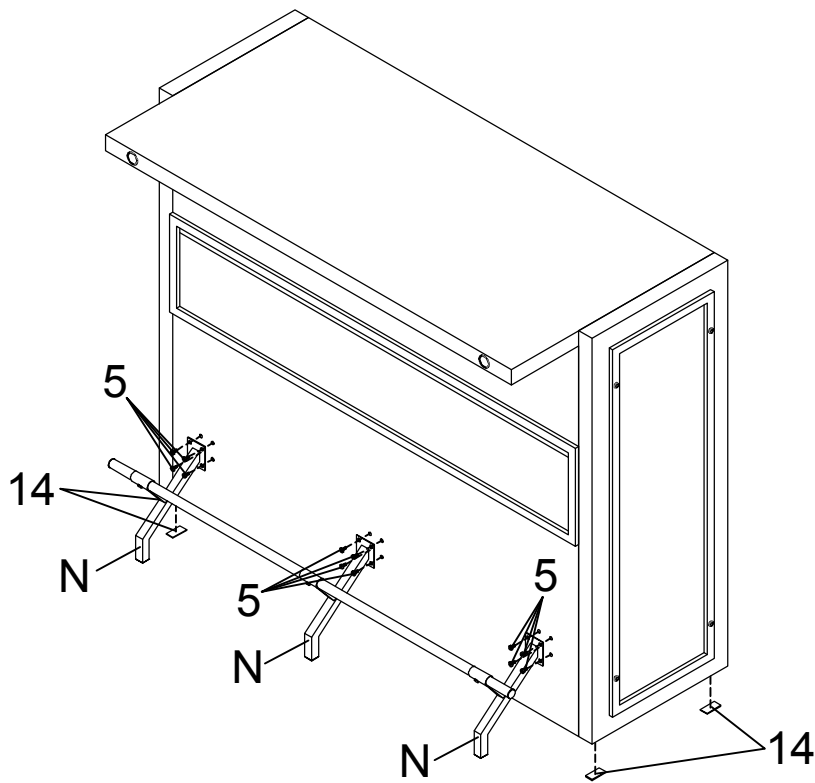
STEP 11



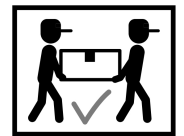
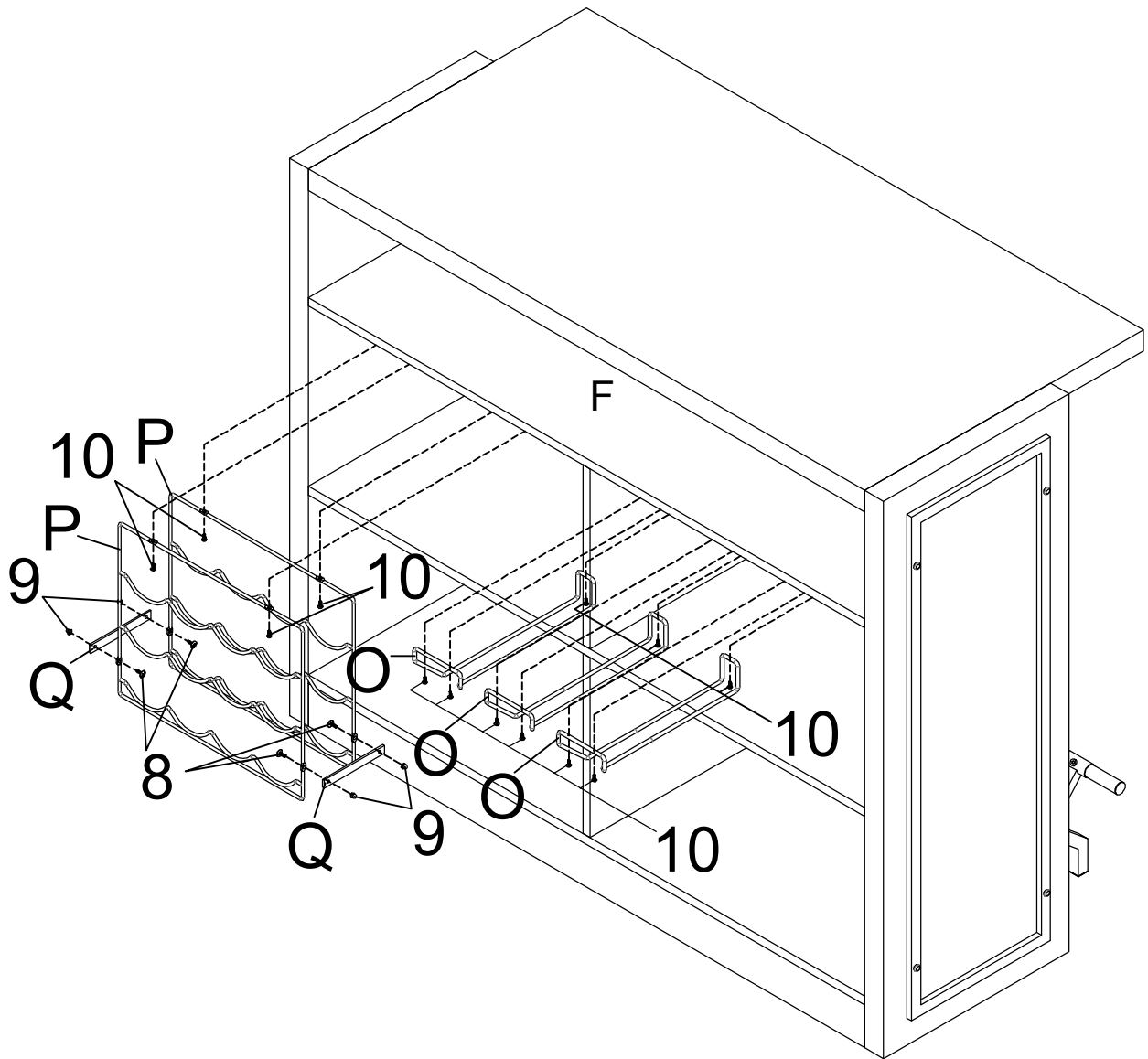
ITEM: 182071
ASSEMBLY INSTRUCTIONS
STEP 12



STEP 13



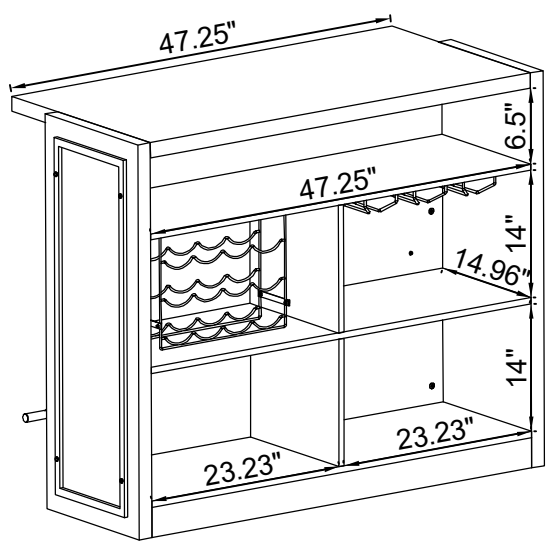
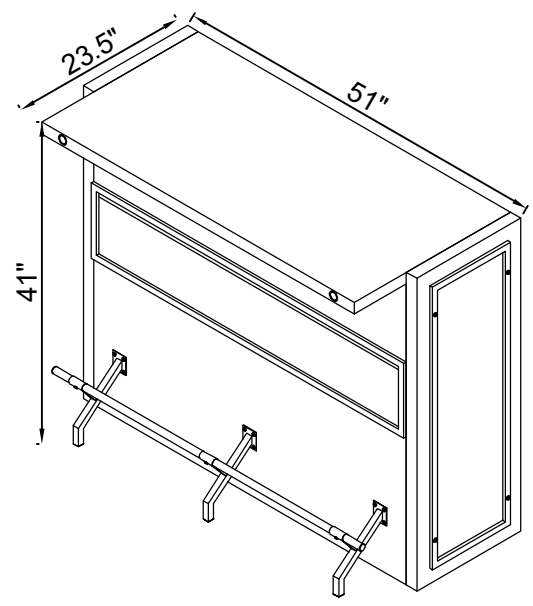
ITEM: 182071
ASSEMBLY INSTRUCTIONS
STEP 14



ITEM:182071 ASSEMBLY INSTRUCTIONS



Product Size : 1295 X 597 X 1041 H (MM)
Product Size : 51" X 23 1/2" X 41"



Note : Dimension tolerance $\pm 5\%$