

**ASSEMBLY INSTRUCTIONS
COASTER FINE FURNITURE**



**720218
COFFEE TABLE**

ITEM: 720218



ASSEMBLY INSTRUCTIONS

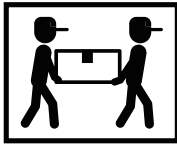
ASSEMBLY TIPS:

1. Remove hardware from box and sort by size.
2. Please check to see that all hardware and parts are present prior to start of assembly.
3. Please follow attached instructions in the same sequence as numbered to assure fast & easy assembly.



WARNING!

1. Don't attempt to repair or modify parts that are broken or defective. Please contact the store immediately.
2. This product is for home use only and not intended for commercial establishments.



ASSEMBLY TIME 20MINUTES



A GLASS TOP

1PC



C OTTOMAN

2PCS



B BASE

1PC



D LEG

4PCS

HARDWARE IDENTIFICATION

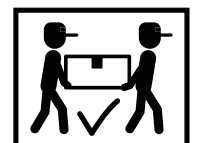
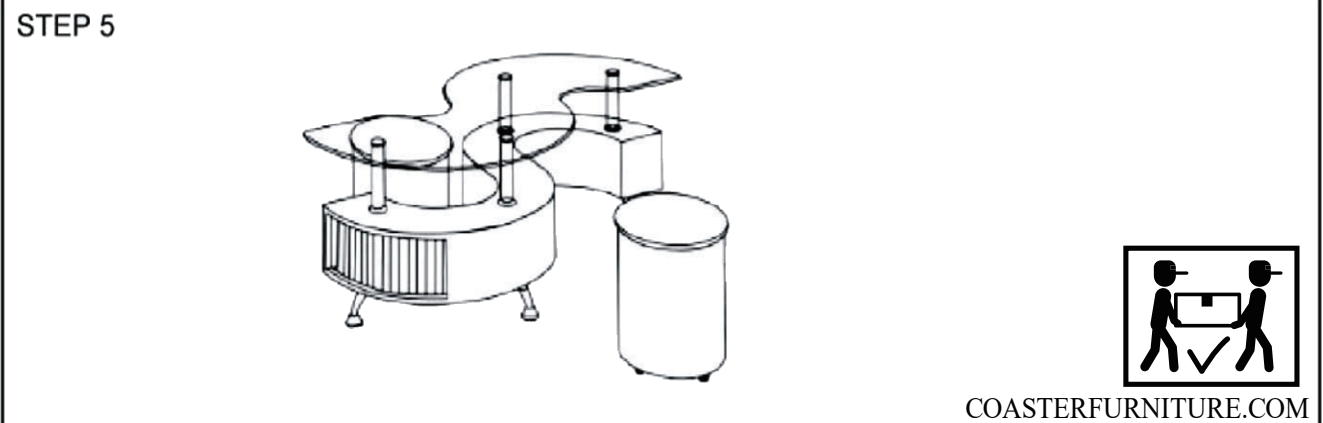
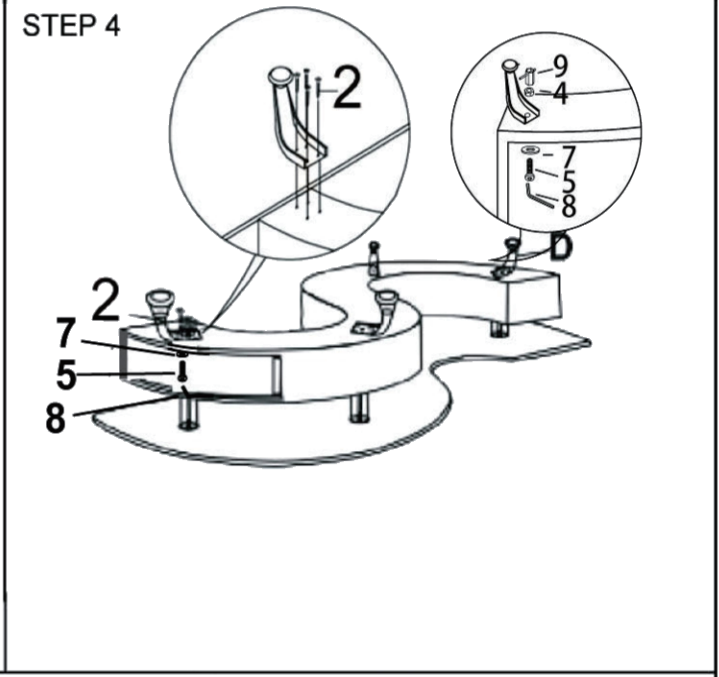
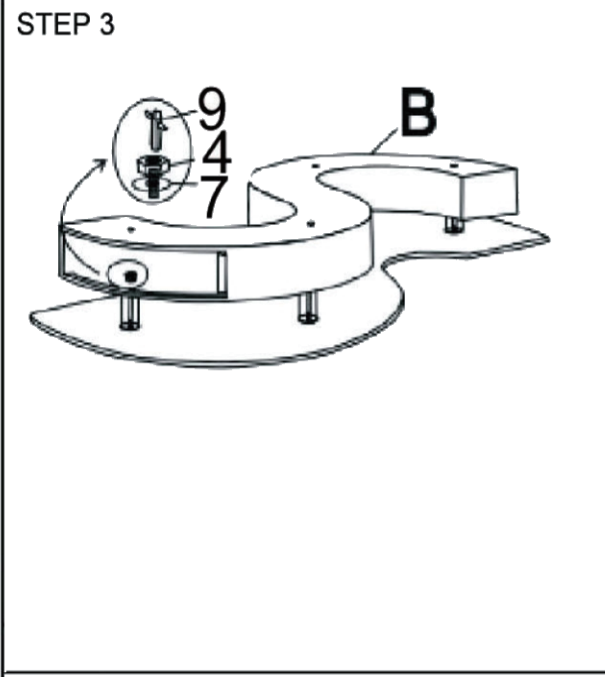
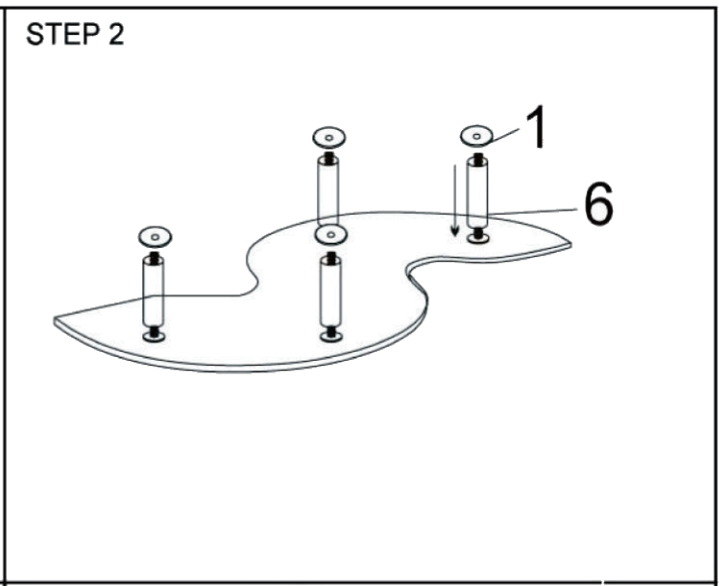
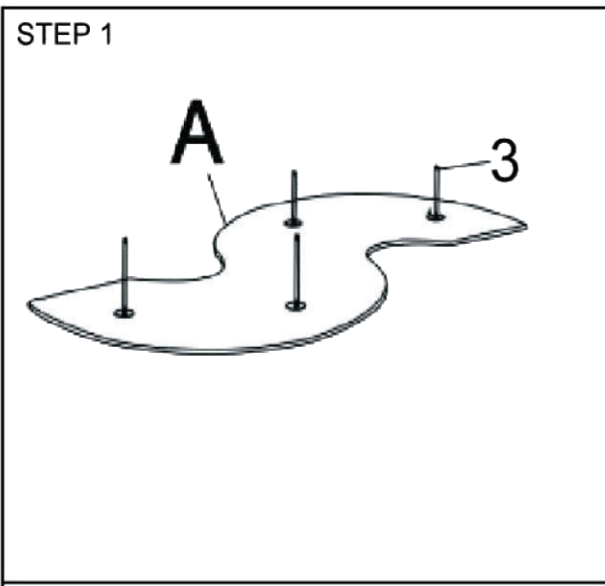
Z	DESCRIPTION	FIGURE	QTY
1	WASHER	$\phi 38$	4PCS
2	SCREWS	M5x10	16PCS
3	THREADED ROD	M8x190	4PCS
4	NUT	M8	8PCS
5	BOLT	M8x25	4PCS
6	METAL TUBE	$\phi 38 \times 160$	4PCS
7	FLAT WASHER	8x18x1.5	8PCS
8/	ALLEN WRENCH	#5	1PC
9	WRENCH	#8	1PC

NOTE:

Phillips head screw driver is required in the assembly process; however, manufacturer does not provide this item.

ITEM: 720218

ASSEMBLY INSTRUCTIONS



COASTERFURNITURE.COM

