



ASSEMBLY INSTRUCTIONS COASTER FINE FURNITURE



Fine Furniture for every stage of life

800725
OFFICE CHAIR

REVISION 0:06/16/2020
REVISION 1:07/15/2022
REVISION 2:11/29/2024

PAGE 1 OF 4

COASTERFURNITURE.COM

ITEM :800725
ASSEMBLY INSTRUCTIONS



ASSEMBLY TIPS:

1. Remove hardware from box and sort by size.
2. Please check to see that all hardware and parts are present prior to start of assembly.
3. Please follow attached instructions in the same sequence as numbered to assure fast & easy assembly.





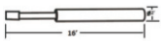


Warning!

1. Don't attempt to repair or modify parts that are broken or defective. Please contact the store immediately.
2. This product is for home use only and not intended for commercial establishments.





ASSEMBLY TIME	5 MINUTES
----------------------	------------------

PARTS IDENTIFICATION

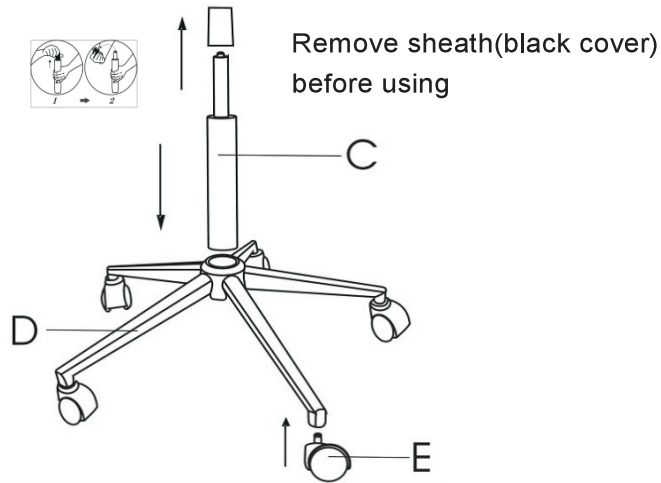
	PART NAME	FIGURE	QTY
A	SEAT AND BACK		1 PC
B	ADJUSTING PLATE		1 PC
C	GAS CYLIDNER		1 PC
D	BASE		1 PC
E	CASTER		5 PCS

HARDWARE IDENTIFICATION

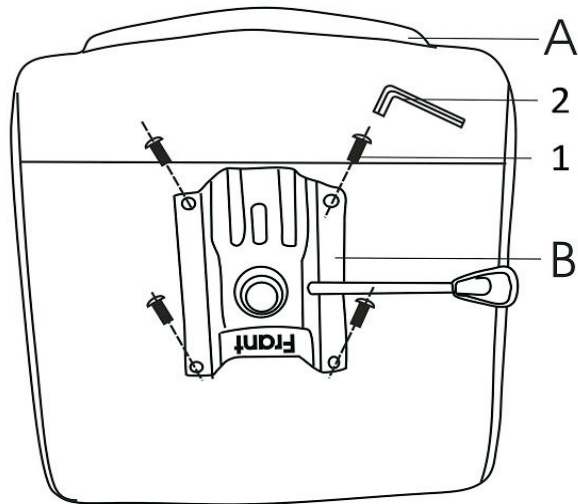
	HARDWARE NAME	FIGURE	QTY
1	BOLTS 3/16X16MM		4PCS
2	ALLEN WRENCH M6		1 PC

ITEM :800725 ASSEMBLY INSTRUCTIONS

STEP 1

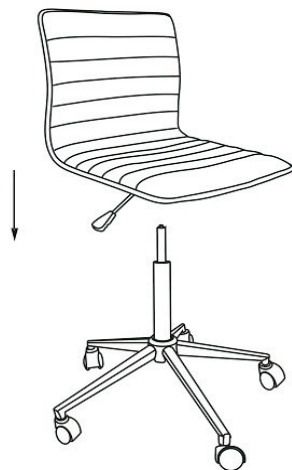


STEP 2



STEP 3

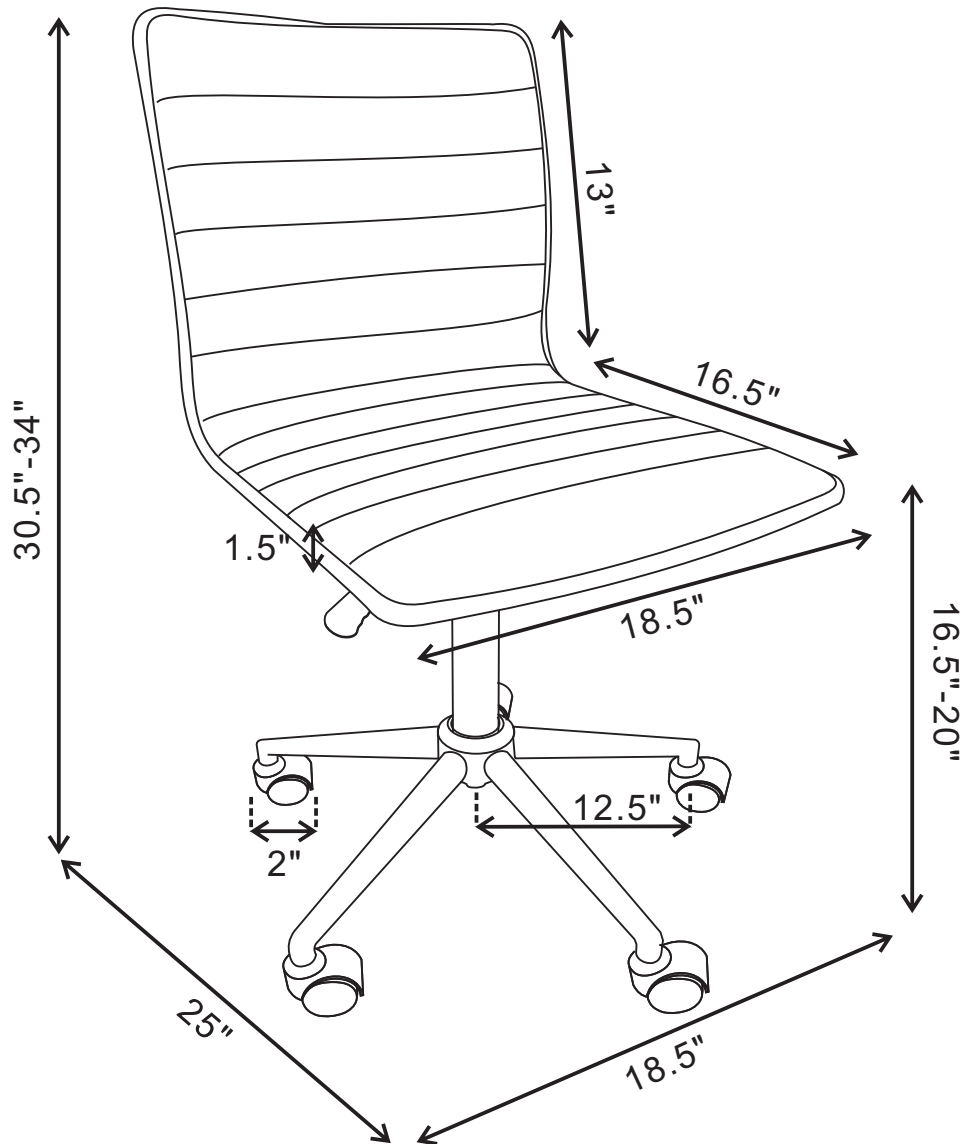
Firmly push top into gas spring



STEP 4



ITEM :800725
ASSEMBLY INSTRUCTIONS



Note: Dimension tolerance $\pm 5\%$