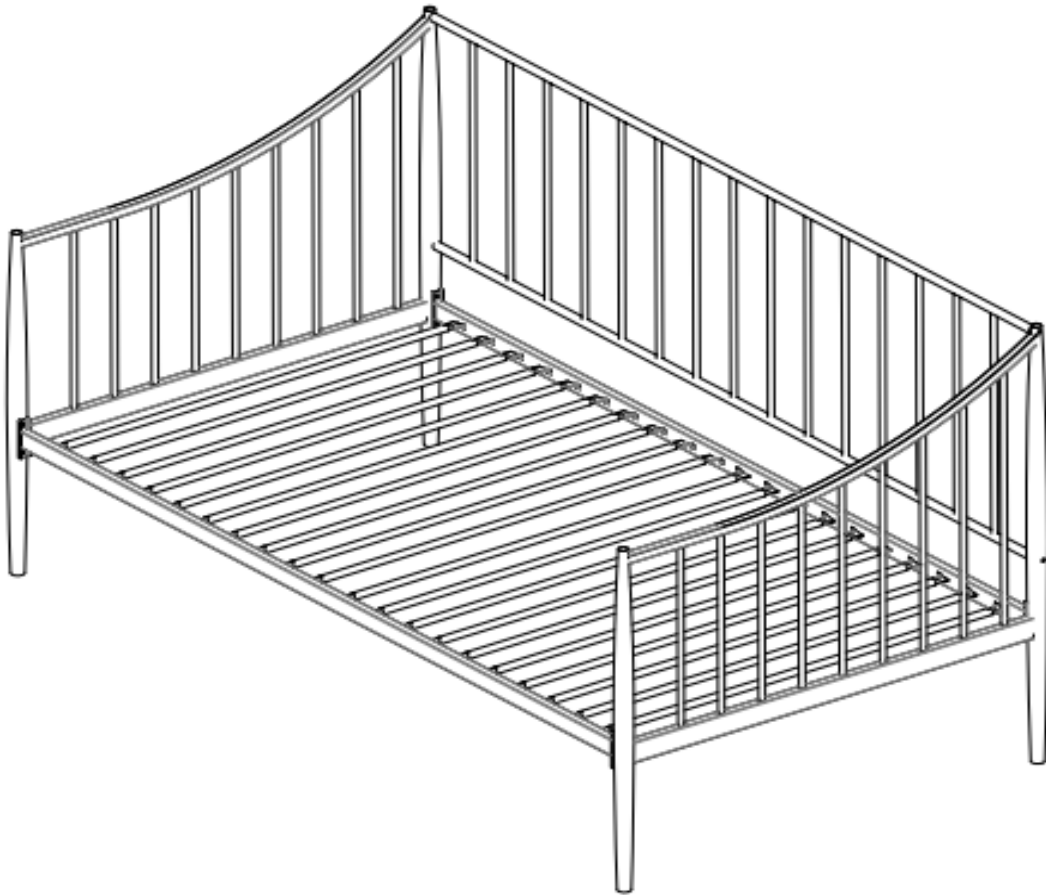


**ASSEMBLY INSTRUCTIONS**  
**COASTER FINE FURNITURE**



*Fine Furniture for every stage of life*

**301056**  
**DAYBED**

# ITEM: 301056



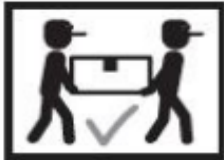
## ASSEMBLY INSTRUCTIONS

### ASSEMBLY TIPS:

1. Remove hardware from box and sort by size.
2. Please check to see that all hardware and parts are present prior to start of assembly.
3. Please follow attached instructions in the same sequence as numbered to assure fast & easy assembly.

### WARNING!

1. Don't attempt to repair or modify parts that are broken or defective. Please contact the store immediately.
2. This product is for home use only and not intended for commercial establishments.



**ASSEMBLY TIME**

**25 MINUTES**

## PARTS IDENTIFICATION

A	LEFT SIDE		1PC	D	BACK SIDE		1PC
B	RIGHT SIDE		1PC	E	SLAT		20PCS
C	RAIL		2PCS				

## Z-HARDWARE IDENTIFICATION

1	BOLT(M8x20MM)		8PCS	5	ALLEN WRENCH		1PC
2	BOLT(M6x55MM)		2PCS	6	PLASTIC WASHER		2PCS
3	BOLT(M6x45MM)		2PCS	7	SLAT LOCKING CAP		40PCS
4	CURVED WASHER		4PCS				

Hardware pack is located in 301056 B1

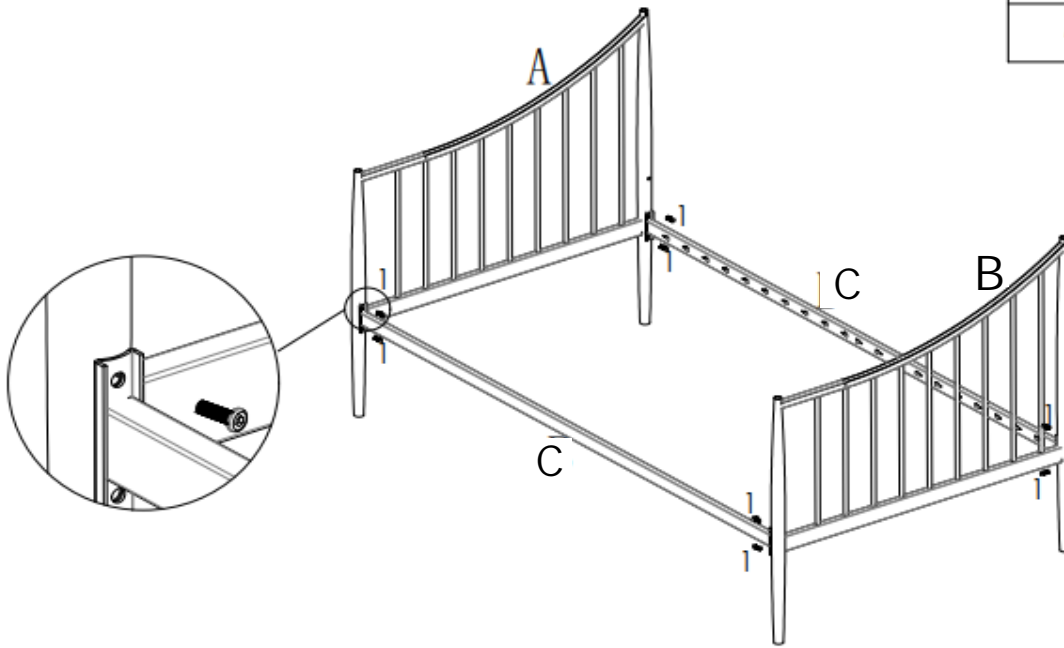
ITEM: 301056

ASSEMBLY INSTRUCTION



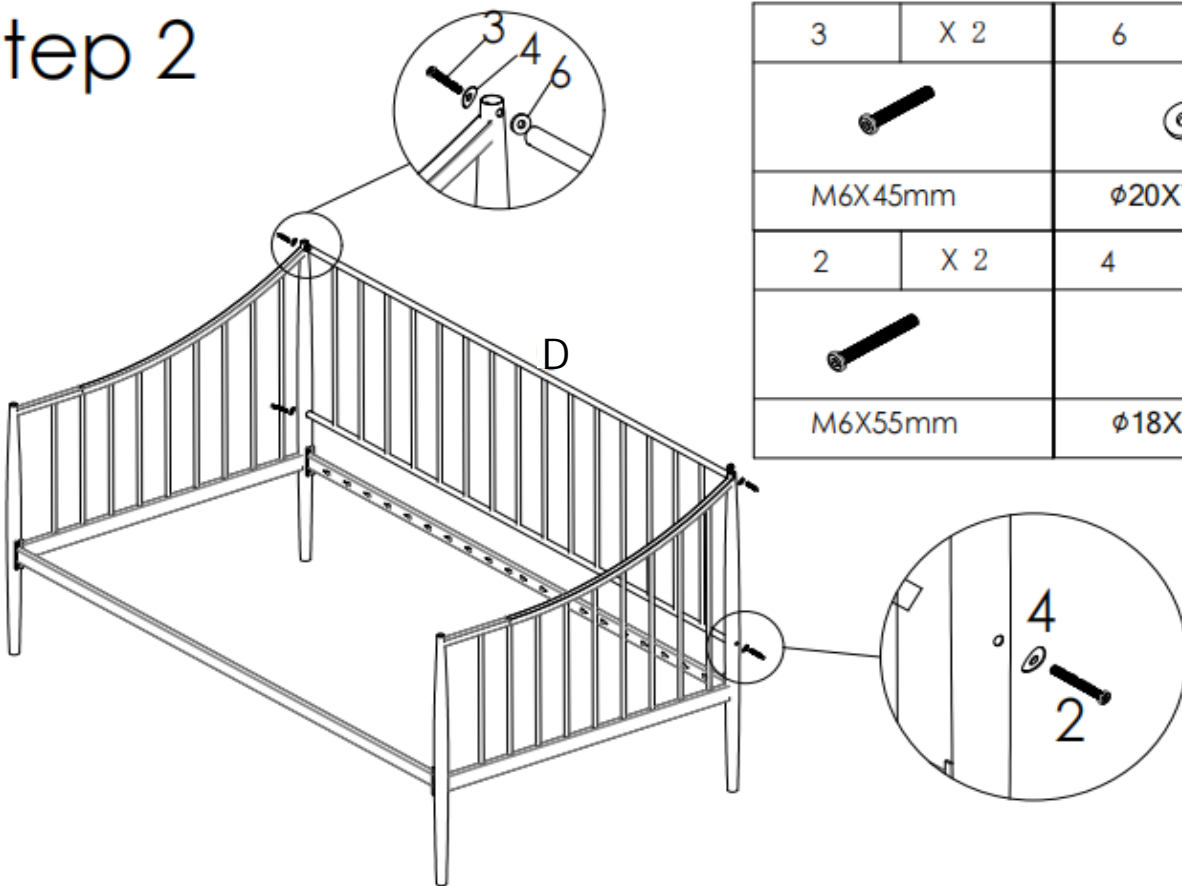
Step 1

1	X 8
M8X20mm	



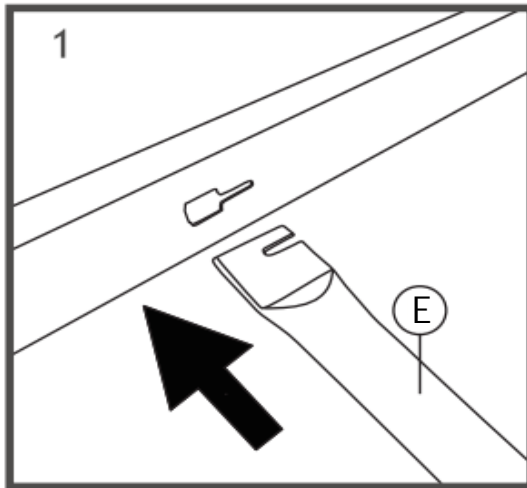
Step 2

3	X 2	6	X 2
M6X45mm		ø20XT3.0	
2	X 2	4	X 4
M6X55mm		ø18Xø6.5	

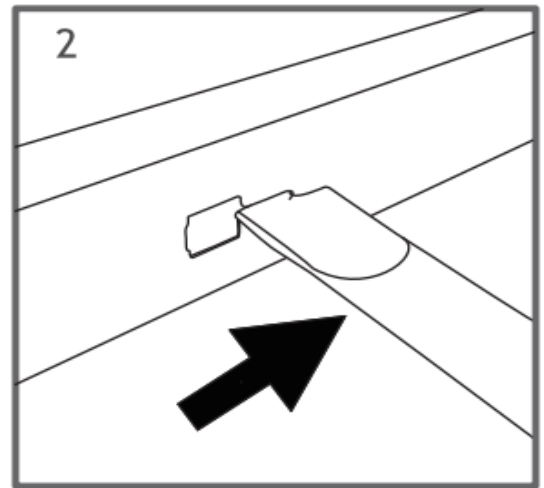


## Step 3

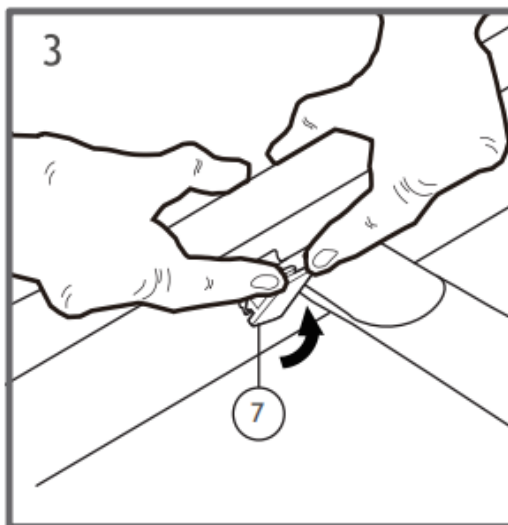
## SLAT INSTALLATION



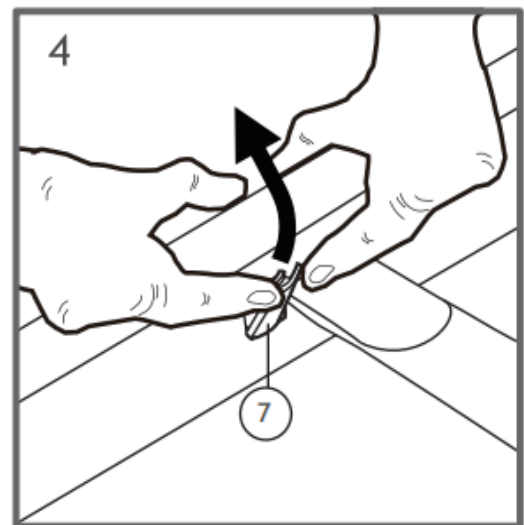
1. Insert slats into the hole on rail in the correct direction.



2. Push the slats into the gaps.



3. Put the slat locking cap into the lower part of the hole on 45 degree.



4. Press tight the upper part of slat locking cap to fix its position.

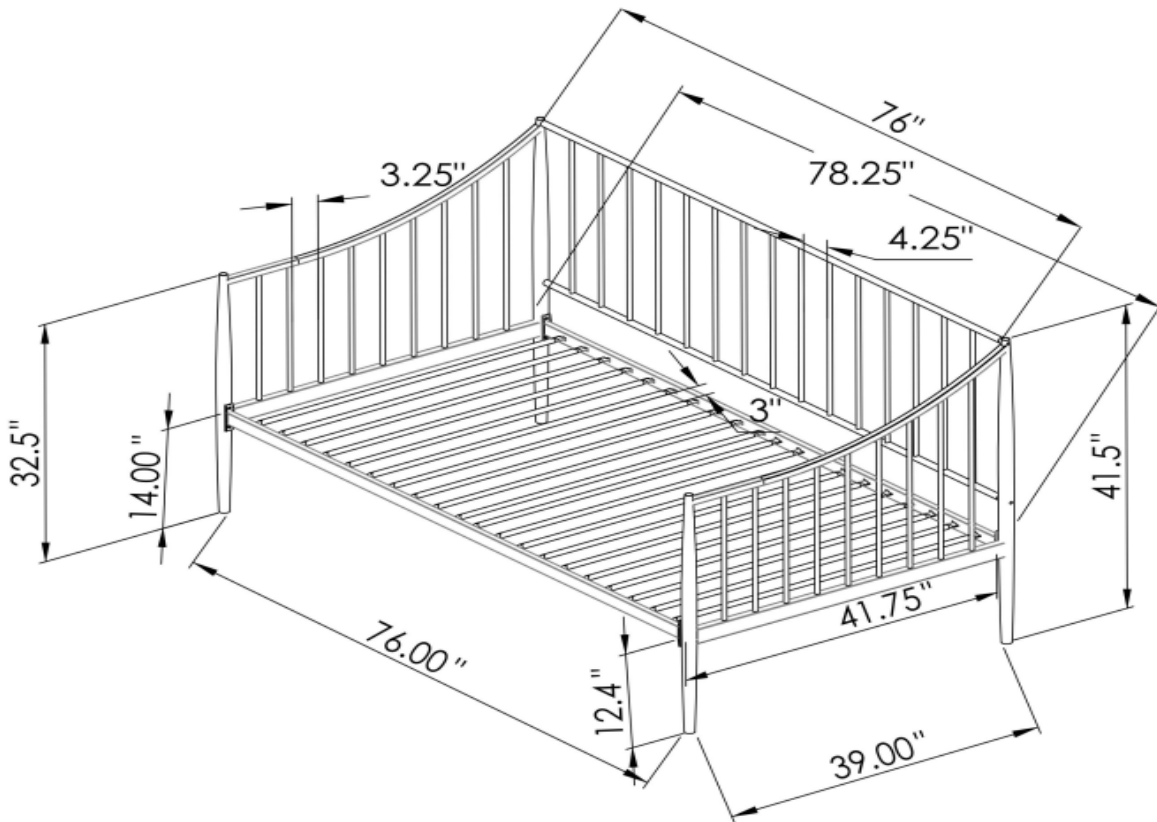
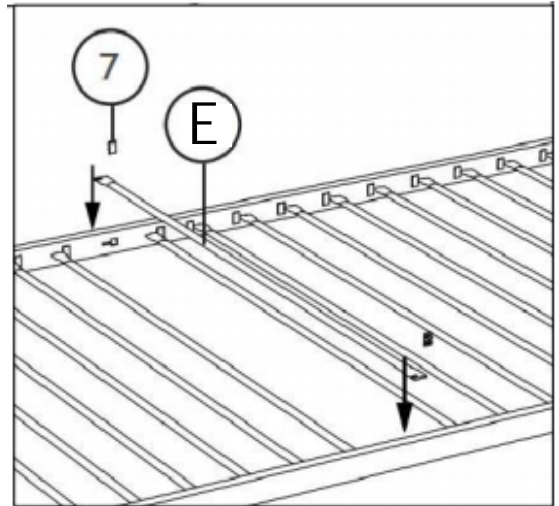
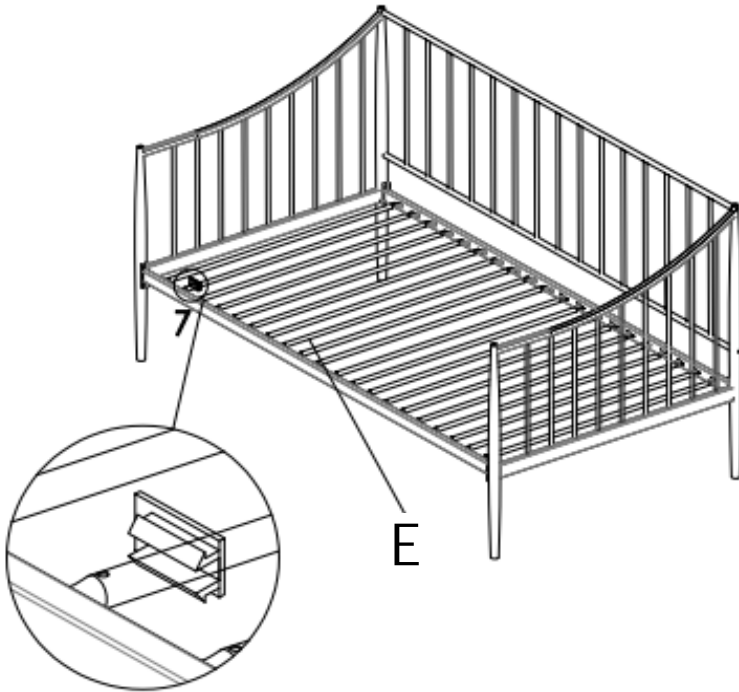
ITEM: 301056

ASSEMBLY INSTRUCTION



Step 4

7	X 40



Note : Dimension tolerance  $\pm 5\%$

