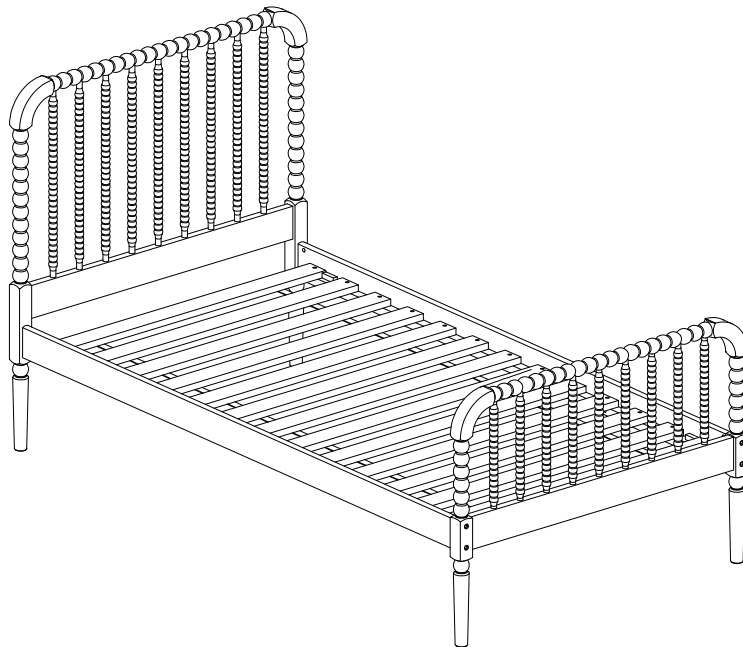




ASSEMBLY INSTRUCTIONS COASTER FINE FURNITURE



Fine Furniture for every stage of life

400415T (B1 & B2) *Twin Bed*

REVISION 0 : 12/20/2016
REVISION 1 : 07/28/2020
REVISION 2 : 08/11/2023
REVISION 3 : 12/28/2024

PAGE 1 OF 3

COASTERFURNITURE.COM

ITEM: 400415T(B1-B2)

ASSEMBLY INSTRUCTIONS



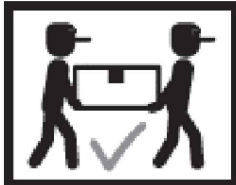
ASSEMBLY TIPS:

1. Remove hardware from box and sort by size.
2. Please check to see that all hardware and parts are present prior to start of assembly.
3. Please follow attached instructions in the same sequence as numbered to assure fast & easy assembly .

WARNING!



1. Don't attempt to repair or modify parts that are broken or defective. Please contact the store immediately.
2. This product is for home use only and not intended for commercial establishments.



ASSEMBLY TIME

20 MINUTES

PARTS IDENTIFICATION

B1 (BOX 1)

AN HEADBOARD



1PC

BN FOOTBOARD



1PC

CN ROLL SLAT (13PCS)



1SET

B2 (BOX 2)

DN BED RAIL



2PCS

HARDWARE IDENTIFICATION

Z-B2 (BOX 2) HARDWARE PACK IS LOCATED IN 400415T (B2)

1	BOLT (M6 x 80 x 13mm - WH)		8PCS
2	BARREL NUT (M6 x 13mm - WH)		8PCS
3	WOOD DOWEL (10 x 40mm)		4PCS
4	FLAT HEAD SCREW (4 x 30mm - WH)		14PCS
5	ALLEN WRENCH (4 x 65mm - WH)		1PC

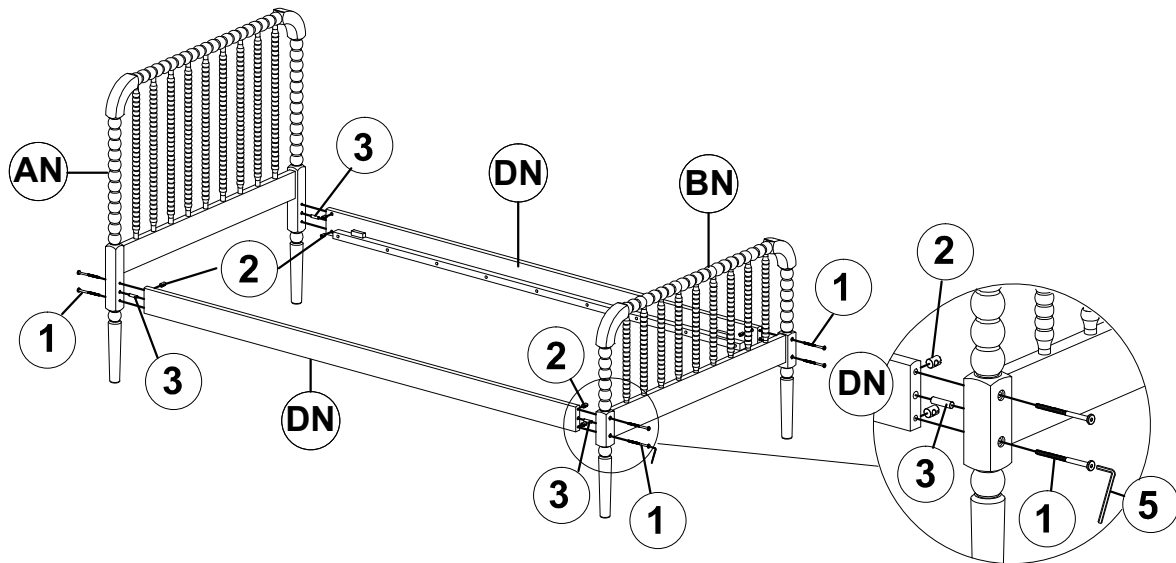
NOTE :

Phillips head screw driver is required in the assembly process; however, manufacturer does not provide this item.

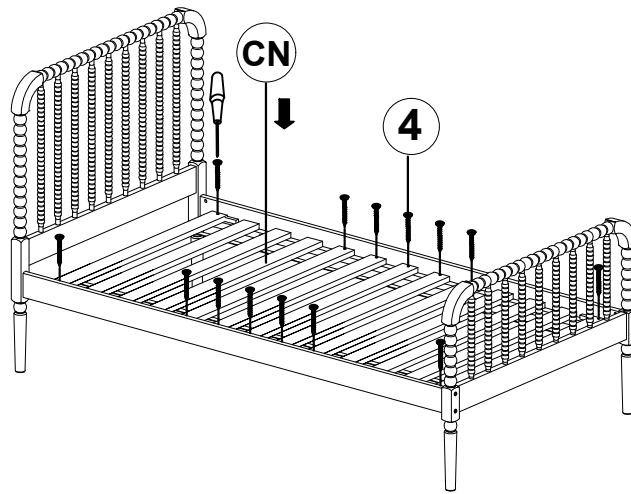
ITEM: 400415T (B1&B2)

ASSEMBLY INSTRUCTIONS

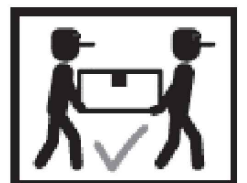
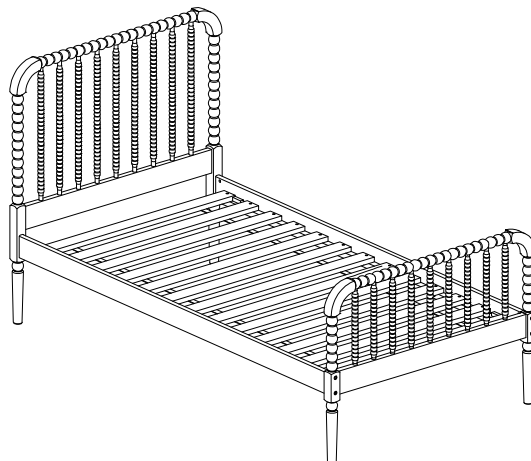
STEP 1



STEP 2



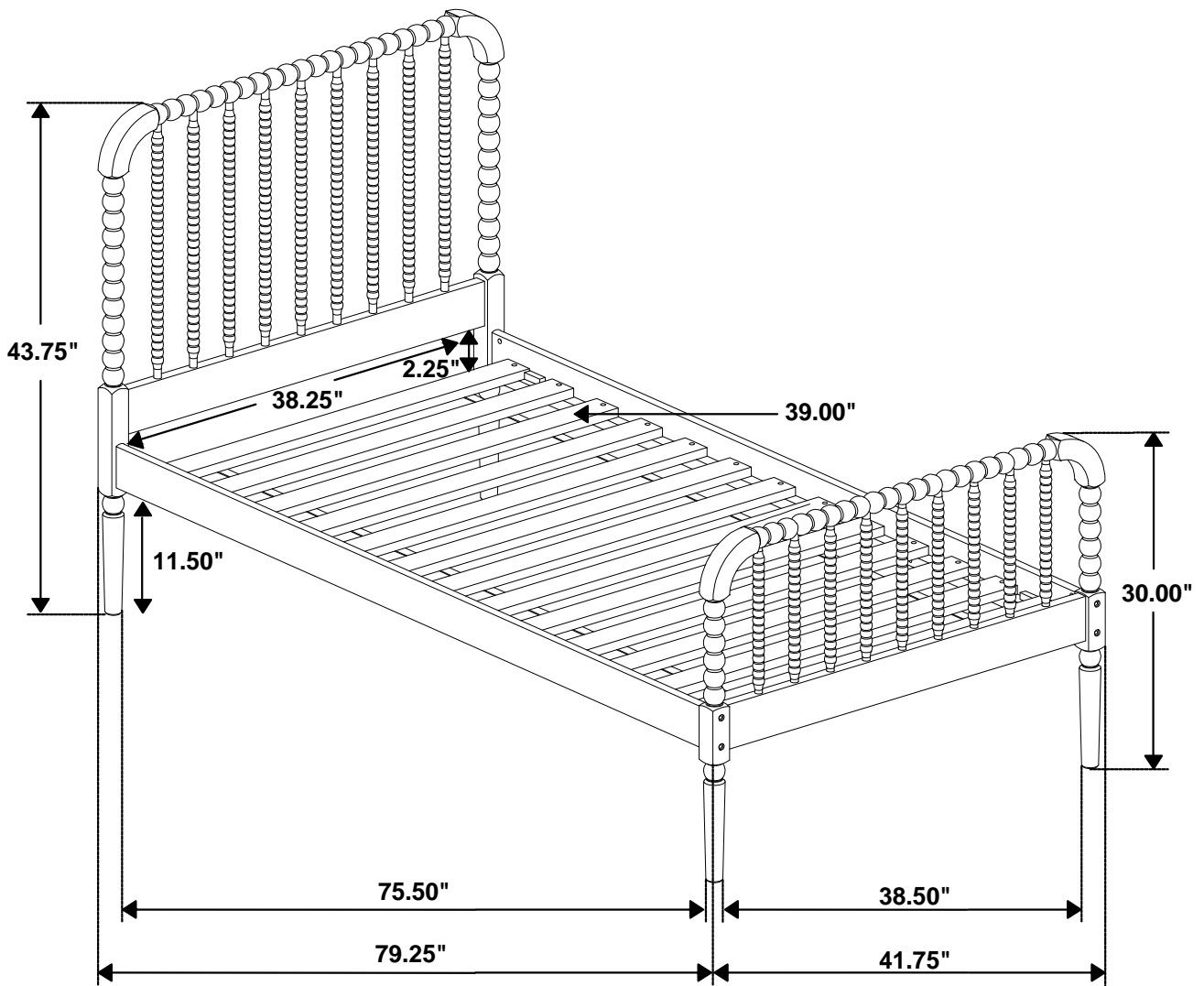
STEP 3 **COMPLETE**



ITEM: 400415T (B1&B2)



Inner Size: 39.00"W X 75.50"D



Note: Dimension tolerance $\pm 5\%$