



ASSEMBLY INSTRUCTIONS COASTER FINE FURNITURE



Fine Furniture for every stage of life

603235P POWER LIFT RECLINER

ASSEMBLY INSTRUCTIONS

ASSEMBLY TIPS:

1. Remove hardware from box and sort by size.
2. Please check to see that all hardware and parts are present prior to start of assembly.
3. Please follow attached instructions in the same sequence as numbered to assure fast & easy assembly.



WARNING!

1. Don't attempt to repair or modify parts that are broken or defective. Please contact the store immediately.
2. This product is for home use only and not intended for commercial establishments.

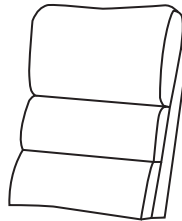


ASSEMBLY TIME

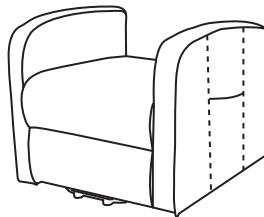
5 MINUTES

PARTS IDENTIFICATION

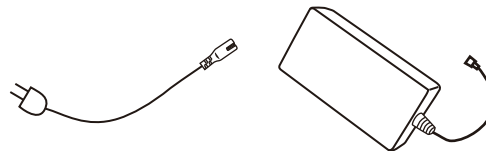
A BACKREST 1PC



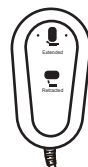
B CHAIR BASE 1PC



C POWER SOURCE 1PC



D REMOTE 1PC

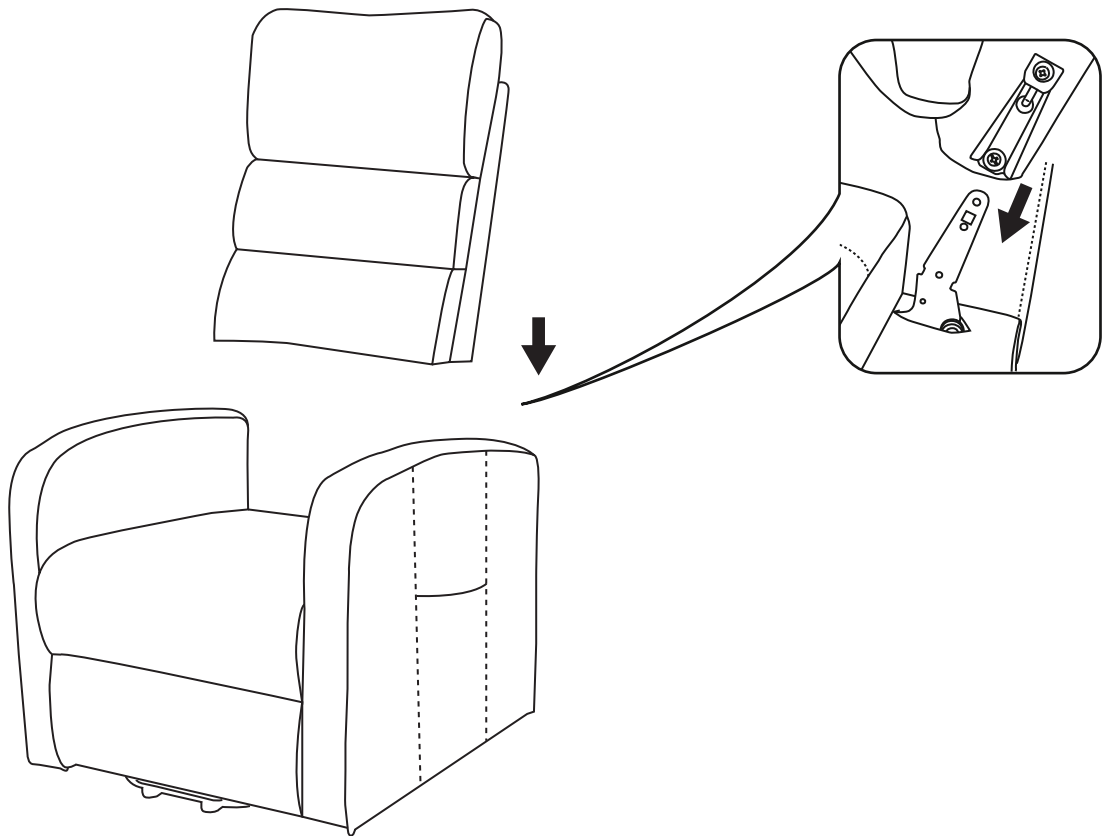


ITEM: **603235P**

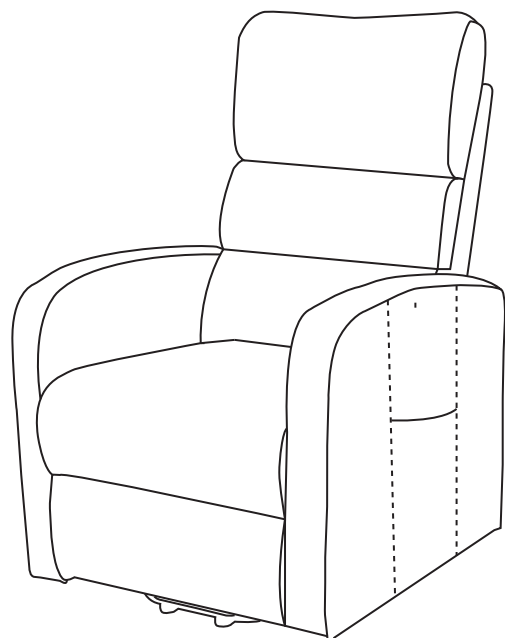


ASSEMBLY INSTRUCTIONS

STEP 1



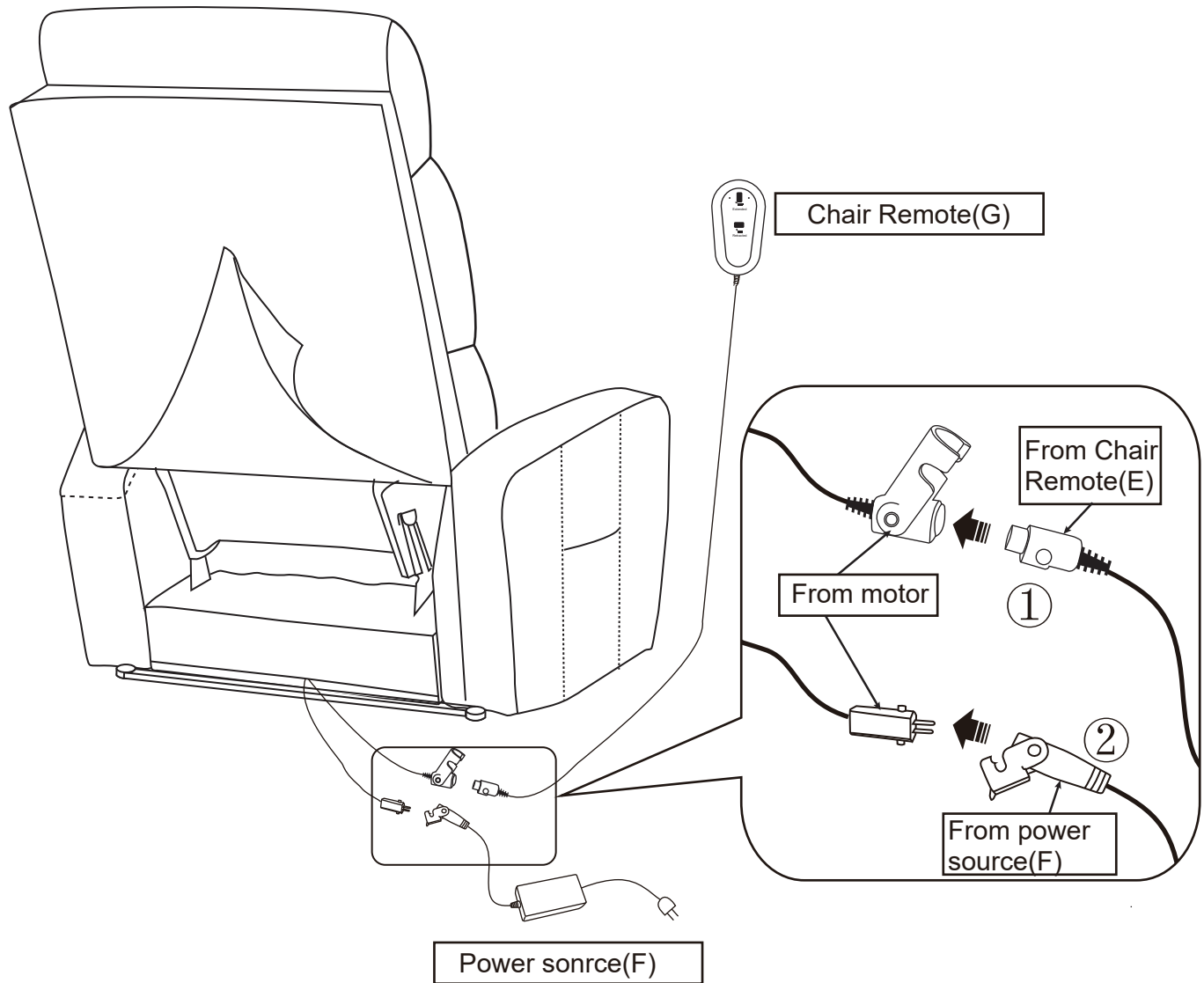
Insert chair back to the chair base,
make sure the slots on the back
fully assembled to the bottom part.



ITEM: **603235P**



ASSEMBLY INSTRUCTIONS
STEP 2



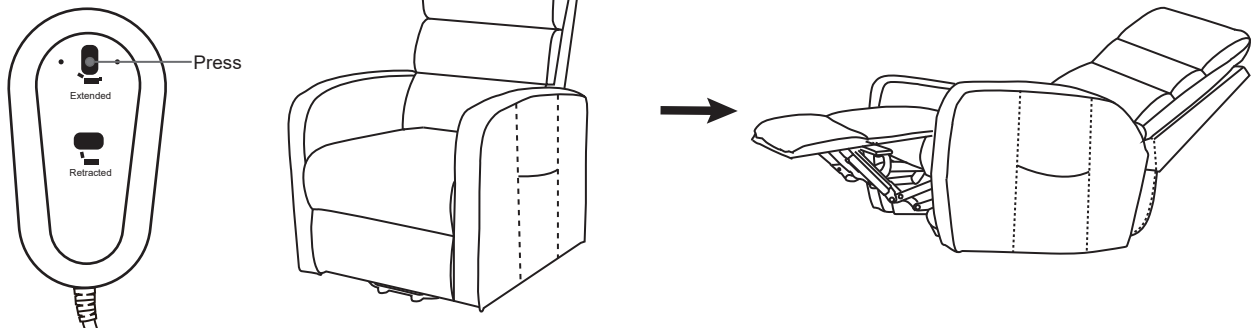
No.1 wire connect the motor and the wire from Chair Remote(D),
No.2 wire connect the motor and power source (C).

ITEM: **603235P**

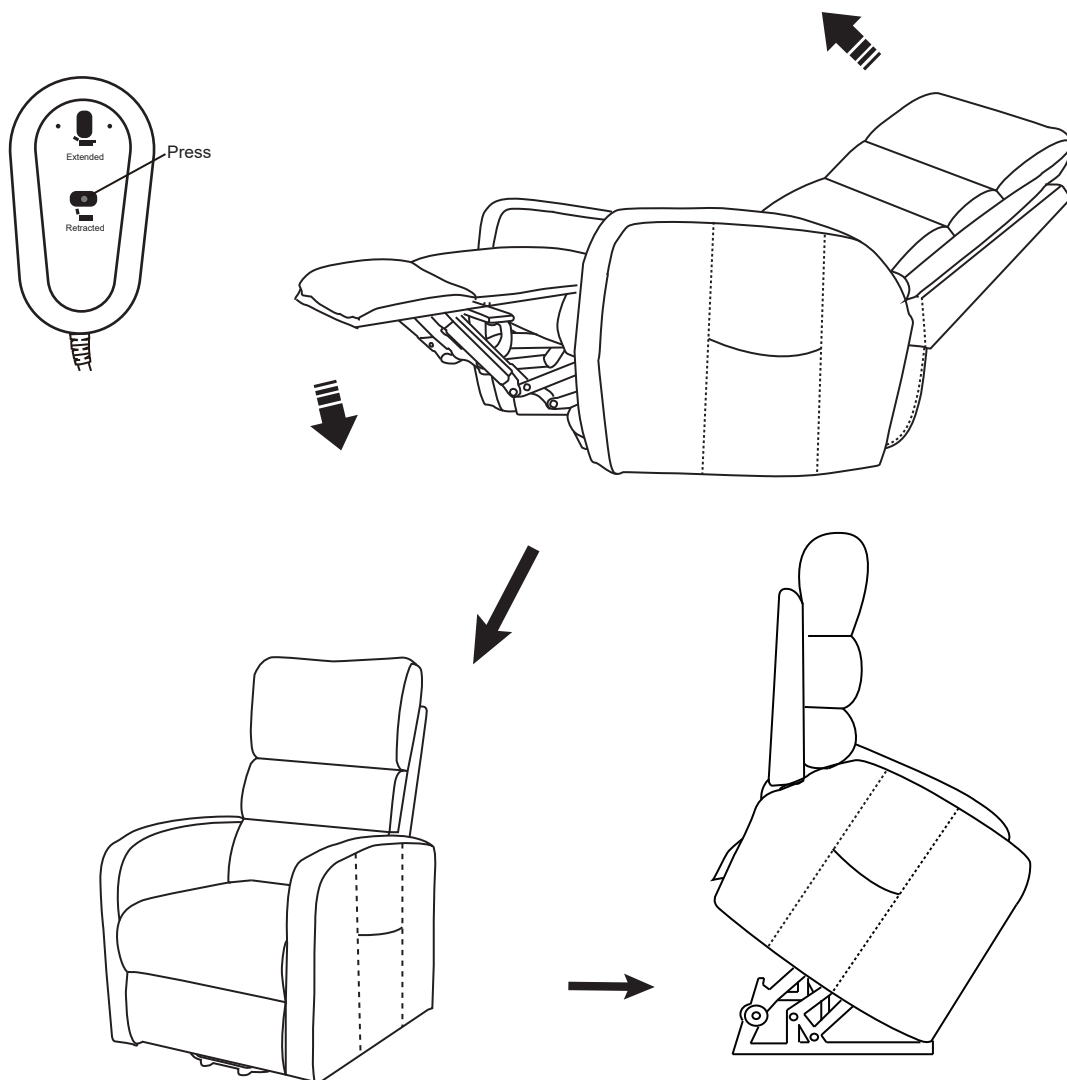


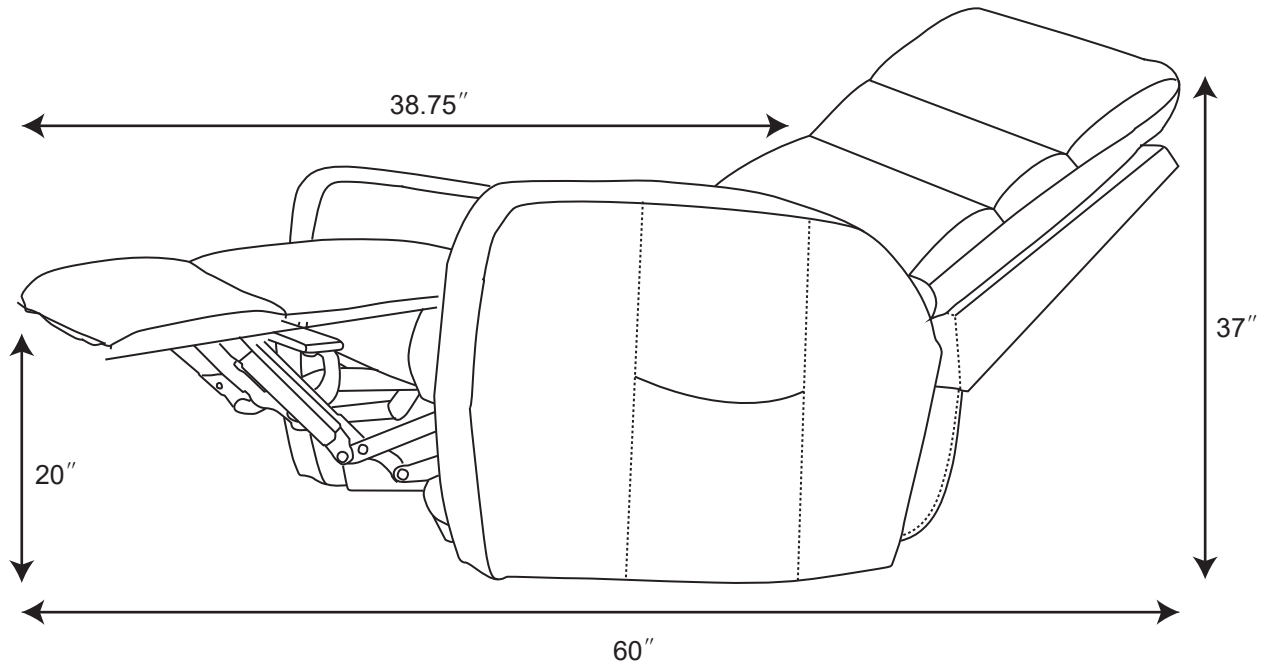
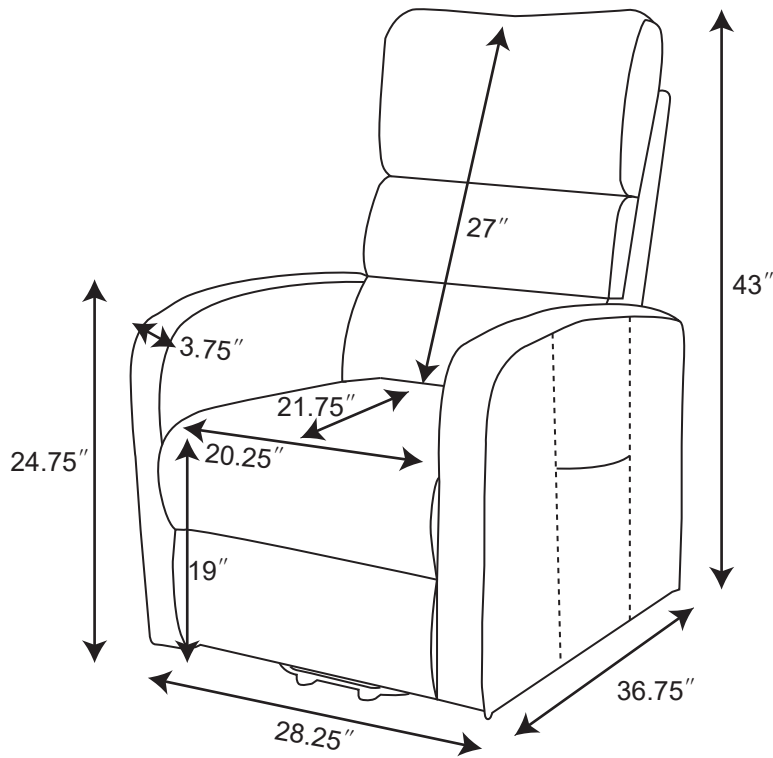
ASSEMBLY INSTRUCTIONS STEP 3

How to recline?



How to get footrest latch down and stand?





Note : Dimension tolerance $\pm 5\%$