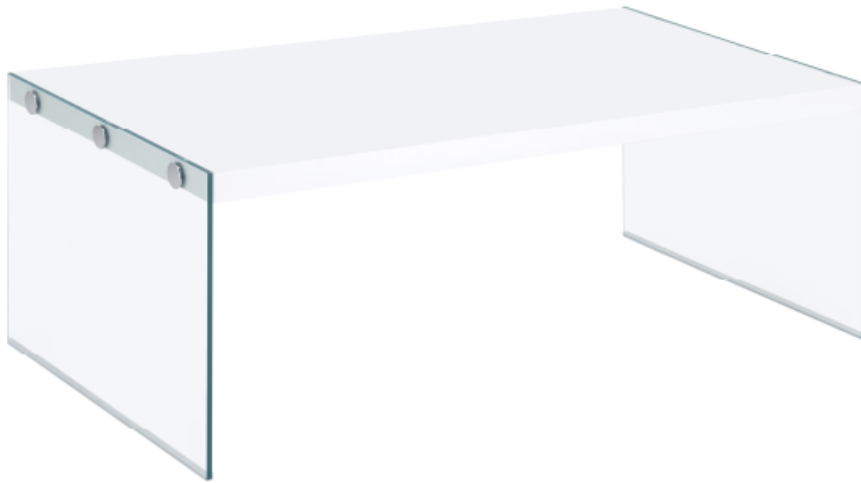


ASSEMBLY INSTRUCTIONS
COASTER FINE FURNITURE



Fine Furniture for every stage of life

704148
COFFEE TABLE

ITEM:704148



ASSEMBLY INSTRUCTIONS

ASSEMBLY TIPS:

1. Remove hardware from box and sort by size.
2. Please check to see that all hardware and parts are present prior to start of assembly.
3. Please follow attached instructions in the same sequence as numbered to assure fast & easy assembly.



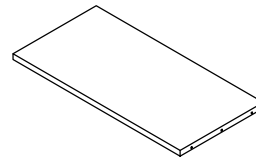
WARNING!

1. Don't attempt to repair or modify parts that are broken or defective. Please contact the store immediately.
2. This product is for home use only and not intended for commercial establishments.

ASSEMBLY TIME 20 MINUTES

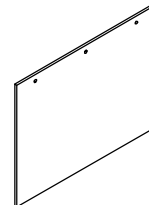
PARTS IDENTIFICATION

A TOP PANEL



1PC

B SIDE GLASS



2PCS

C PLASTIC BAR



2PCS


Z


HARDWARE IDENTIFICATION

1 DECORATIVE METAL COVERS
(ϕ 35mm)  6PCS

2 PLASTIC WASHER
(ϕ 32mm)  12PCS

3 FLAT WASHER
(ϕ 19mm)  6PCS

4 BOLT
(1/4" x 47mm SR)  6PCS

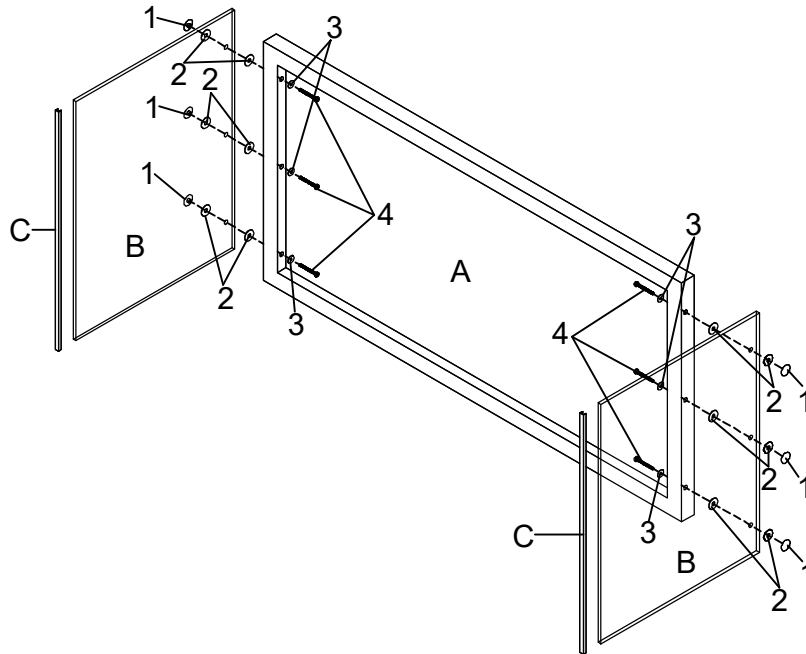
5 ALLEN WRENCH
(4mm)  1PC

ITEM:704148

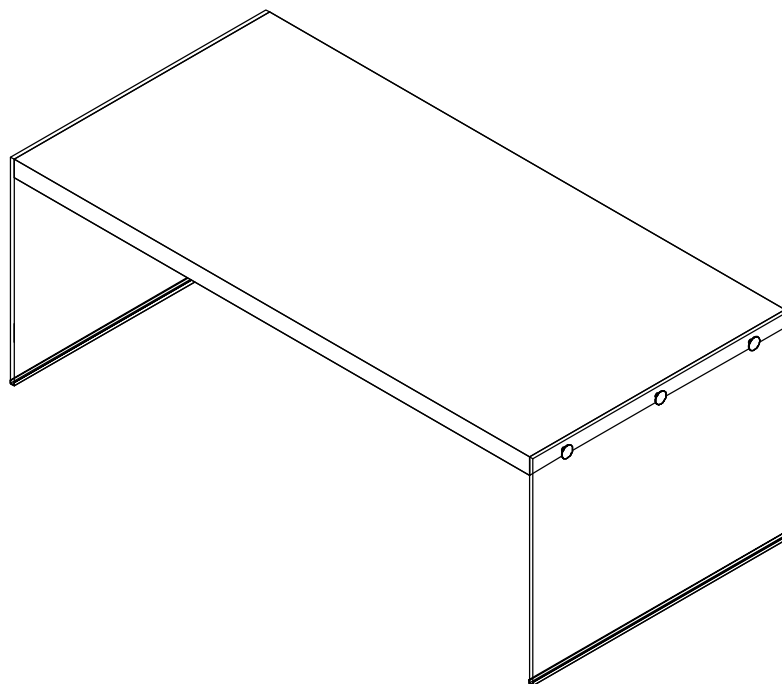


ASSEMBLY INSTRUCTIONS

STEP 1 Do not tighten until each step is completed or instructed.



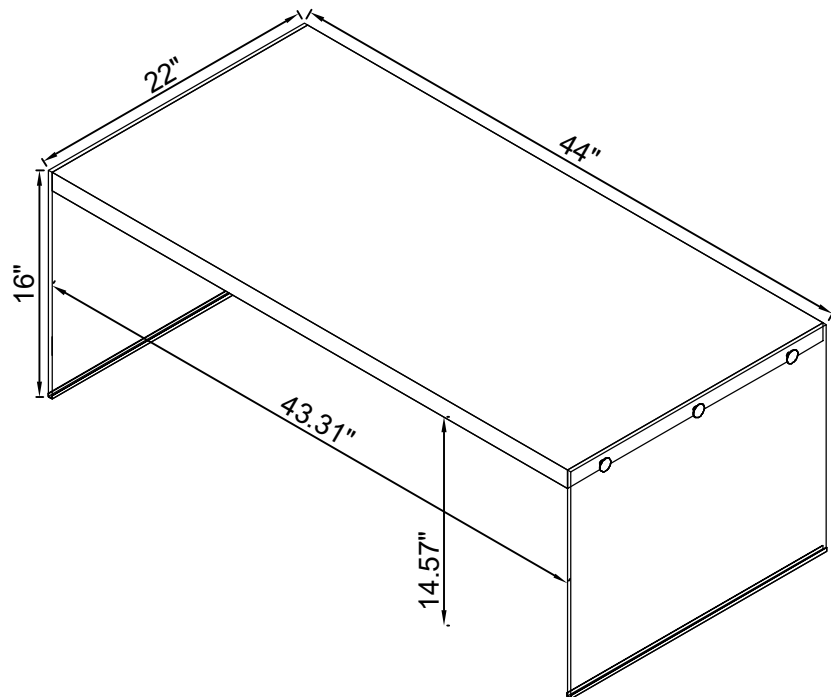
STEP 2
COMPLETE



ITEM:704148 ASSEMBLY INSTRUCTIONS



Product Size : 1118 X 559 X 406 H (MM)
Product Size : 44" X 22" X 16"



Note : Dimension tolerance $\pm 5\%$