



ASSEMBLY INSTRUCTIONS COASTER FINE FURNITURE



Fine Furniture for every stage of life

901804

JEWELRY ARMOIRE

REVISION 0:08/22/2019
REVISION 1:05/11/2020
REVISION 2:12/25/2024

PAGE 1 OF 3

COASTERFURNITURE.COM

ITEM: 901804

ASSEMBLY INSTRUCTIONS



ASSEMBLY TIPS:

- 1.Remove hardware from box and sort by size.
- 2.Please check to see that all hardware and parts are present prior to start of assembly.
- 3.Please follow attached instructions in the same sequence as numbered to assure fast & easy assembly.



WARNING!

- 1.Don't attempt to repair or modify parts that are broken or defective. Please contact the store immediately.
- 2.This product is for home use only and not intended for commercial establishments.


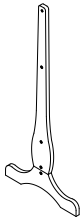
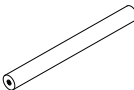
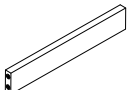






ASSEMBLY TIME

15 MINUTES

PARTS IDENTIFICATION

Z HARDWARE IDENTIFICATION

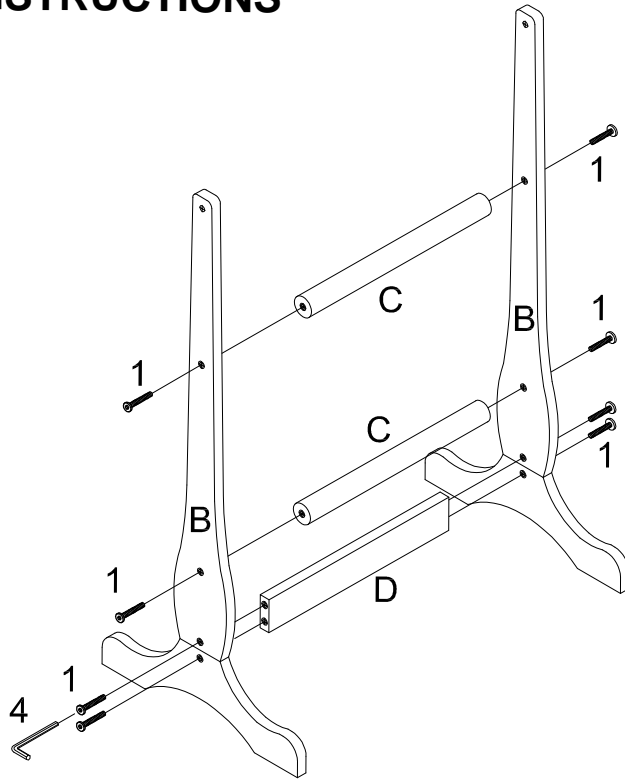
A MIRROR CABINET		1 PC
B LEG		2 PCS
C ROUND BAR		2 PCS
D RAIL		1 PC

1 BIG BOLT M6*25mm		8PCS
2 MAIN CONNECTING SCREWS Ø 0.5x6.5mm		2PCS
3 PLASTIC WASHER Ø 3mm		2PCS
4 ALLEN KEY M6x6.7		1PC

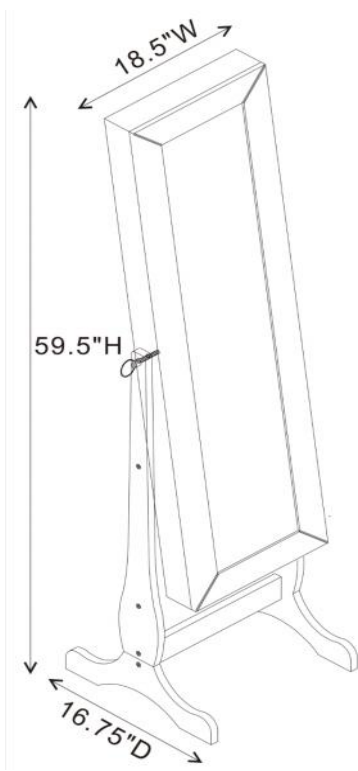
ITEM :901804

ASSEMBLY INSTRUCTIONS

STEP 1



STEP 2



Note: Dimension tolerance $\pm 5\%$