

**ASSEMBLY INSTRUCTIONS**  
**COASTER FINE FURNITURE**



*Fine Furniture for every stage of life*

**950724**  
**TALL CABINET**

# ITEM:950724



## ASSEMBLY INSTRUCTIONS

### ASSEMBLY TIPS:

1. Remove hardware from box and sort by size.
2. Please check to see that all hardware and parts are present prior to start of assembly.
3. Please follow attached instructions in the same sequence as numbered to assure fast & easy assembly.



### WARNING!

1. Don't attempt to repair or modify parts that are broken or defective. Please contact the store immediately.
2. This product is for home use only and not intended for commercial establishments.



ASSEMBLY TIME

50 MINUTES

## PARTS IDENTIFICATION

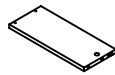
A	LEFT SIDE PANEL		1 PC	G	TOP PANEL		1 PC
B	RIGHT SIDE PANEL		1 PC	H	DOOR		2 PCS
C	BOTTOM PANEL		1 PC	I	UPPER BACK PANEL		3 PCS
D	LOWER CROSS PANEL		1 PC	J	DRAWER FRONT PANEL		2 PCS
E	BACK BRACE		1 PC	K	DRAWER BACK PANEL		2 PCS
F	ADJUSTABLE SHELF		2 PCS	L	LEFT DRAWER SIDE PANEL		2 PCS

### NOTE:

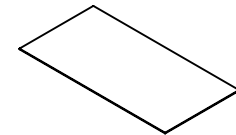
Phillips head screw driver is required in the assembly process; however, manufacturer does not provide this item.

ITEM:950724

M RIGHT DRAWER SIDE PANEL 2 PCS



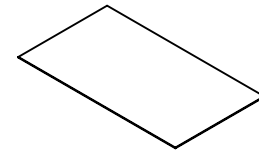
O DRAWER BOTTOM PANEL 2 PCS



N DRAWER SUPPORT 2 PCS



P DOWN BACK PANEL 1 PC



Z

**HARDWARE IDENTIFICATION**

NO	DESCRIPTION	FIGURE	Q'TY	NO	DESCRIPTION	FIGURE	Q'TY
1	GLUE 40g		1 PC	11	HANDLE		4 PCS
2	WOODEN DOWEL Ø 8x30mm		24 PCS	12	HANDLE BOLT		4 PCS
3	CAM BOLT Ø 7x35.5mm		14 PCS	13	HINGE		6 PCS
4	CAM LOCK Ø 15x12mm		14 PCS	14	HINGE SCREW Ø 4x15mm		24 PCS
5	BOLT Ø 9.5x55mm		8 PCS	15	FOOT		4 PCS
6	DRAWER SCREW Ø 4.3x35mm		10 PCS	16	FOOT BOLT M6x42mm		4 PCS
7	PIN Ø 4.9x8mm		8 PCS	17	FIXER		6 PCS
8	DOOR CATCH		2 PCS	18	FIXER SCREW Ø 3x19mm		6 PCS
9	GLIDES L = 350mm		2 SET	19	PLASTIC BACK BRACE		1 PC
10	GLIDES SCREW Ø 3x12mm		24 PCS	20	STICKER Ø 20mm		3 PCS

Z9,Z11,Z12,Z13,Z15,Z19 not included in blister packaging.

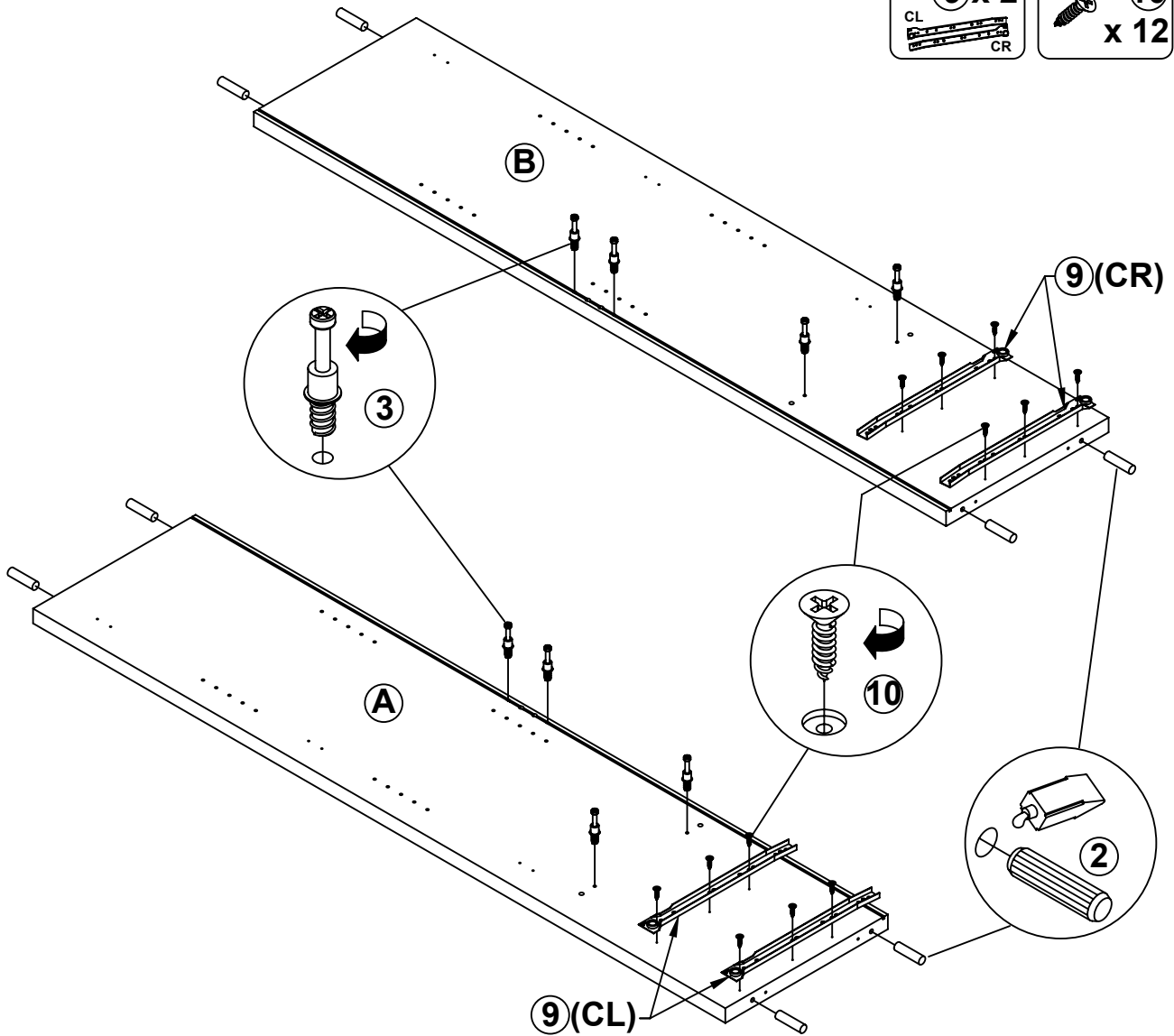
**NOTE:**

Phillips head screw driver is required in the assembly process; however, manufacturer does not provide this item.

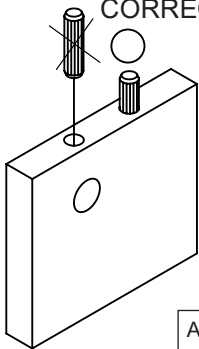
ITEM: 950724

**STEP 1**

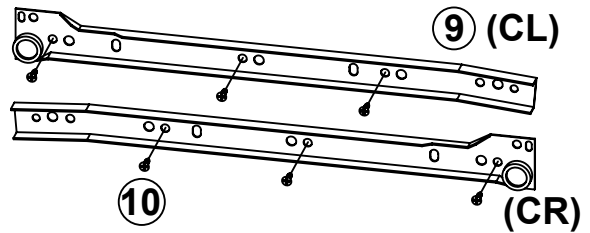
- ② x 8
- ③ x 8
- ⑨ x 2  
CL CR
- ⑩ x 12



INCORRECT  
CORRECT

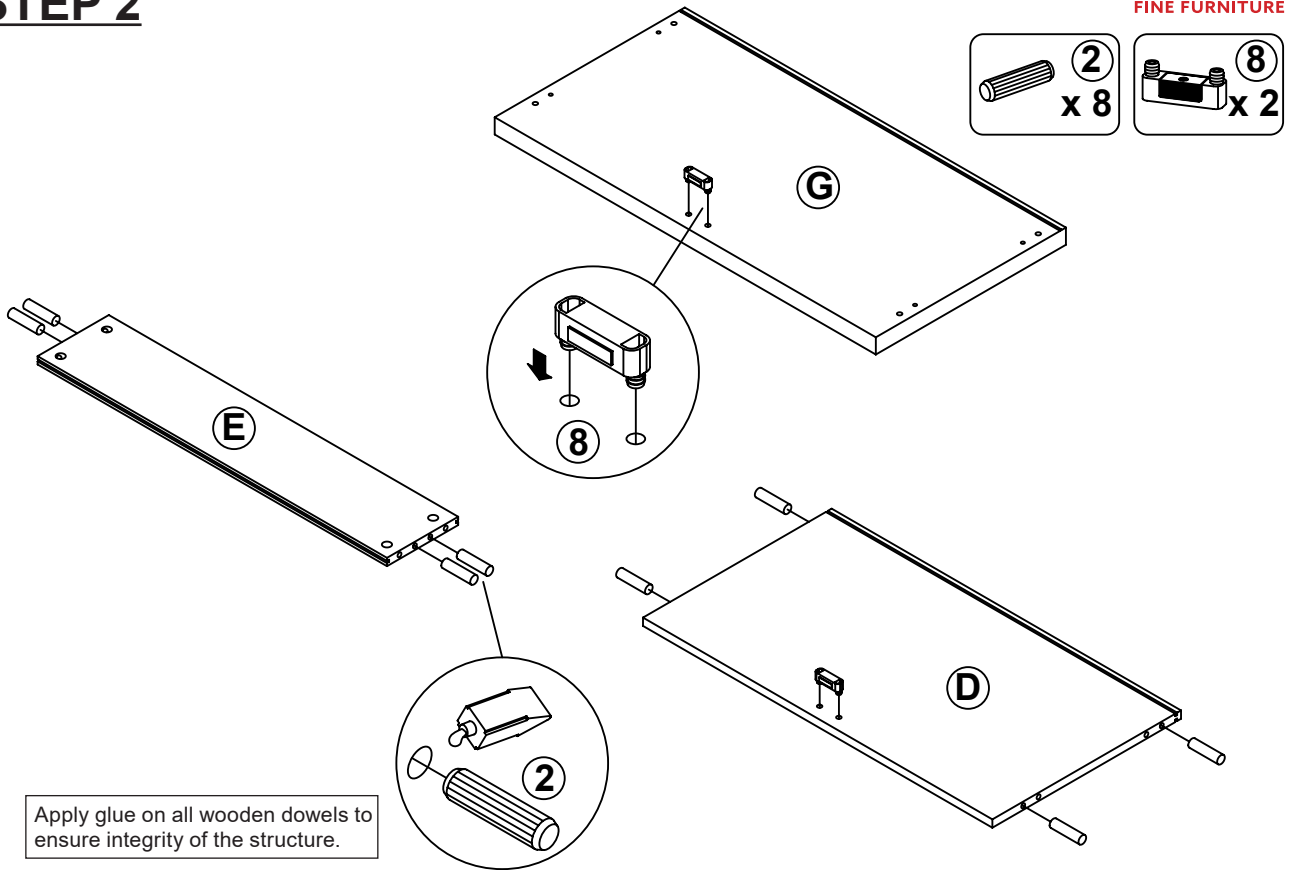


Apply glue on all wooden dowels to ensure integrity of the structure.

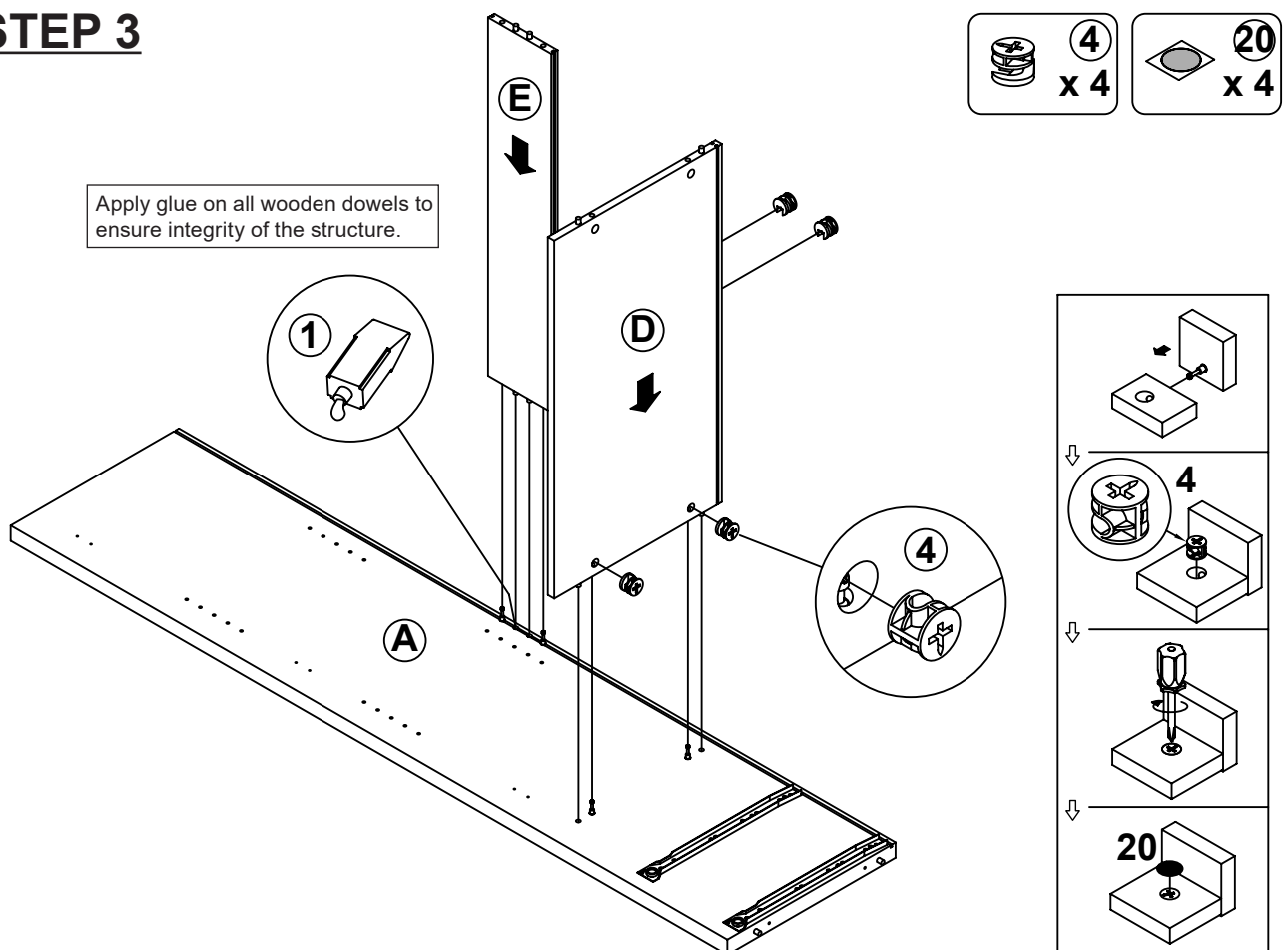


ITEM: 950724

**STEP 2**



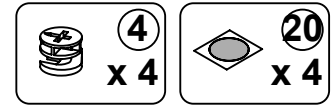
**STEP 3**



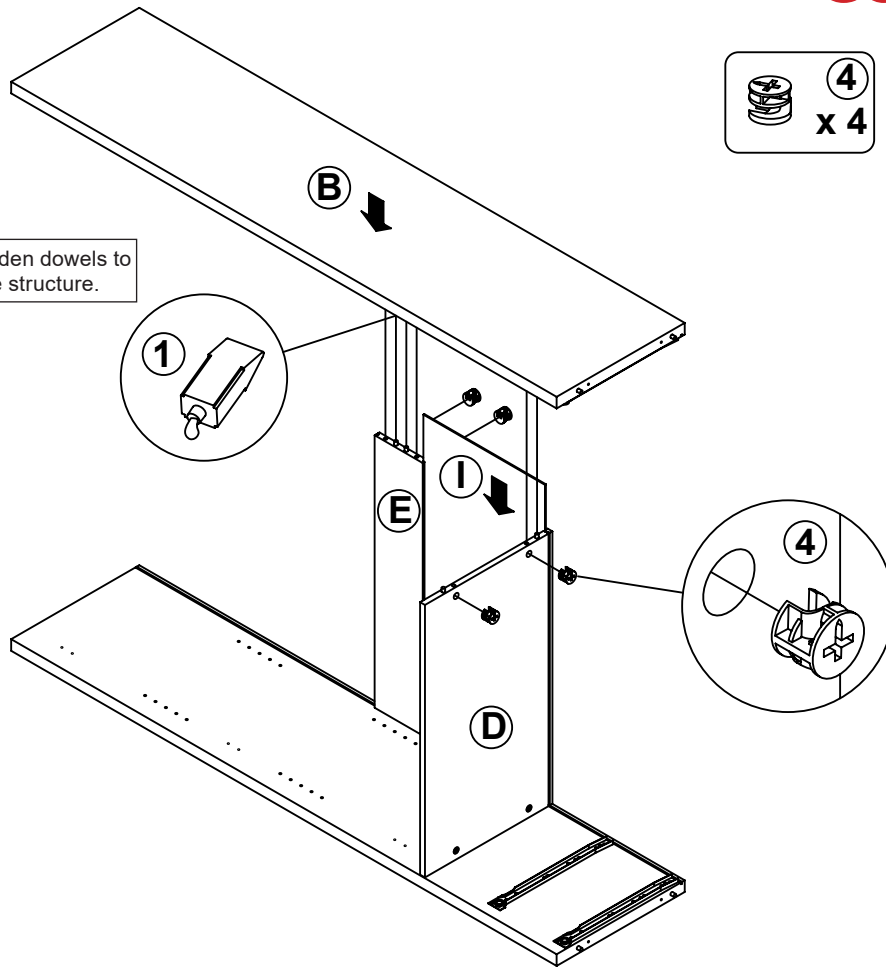
ITEM: **950724**

**COASTER**  
FINE FURNITURE

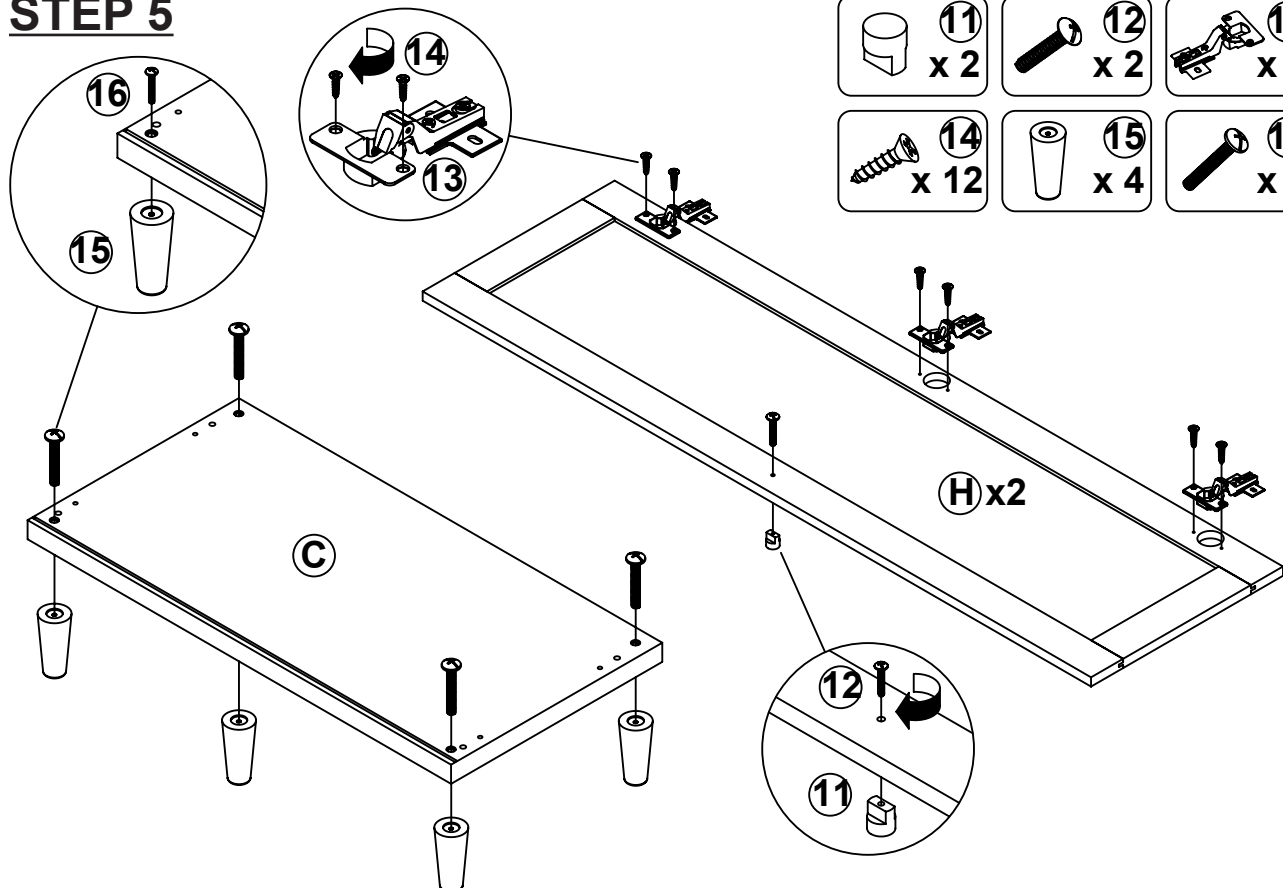
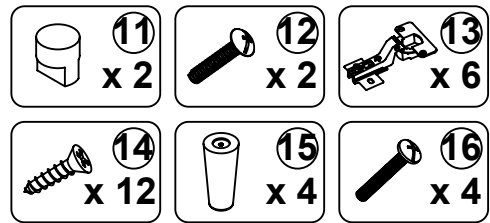
**STEP 4**



Apply glue on all wooden dowels to ensure integrity of the structure.



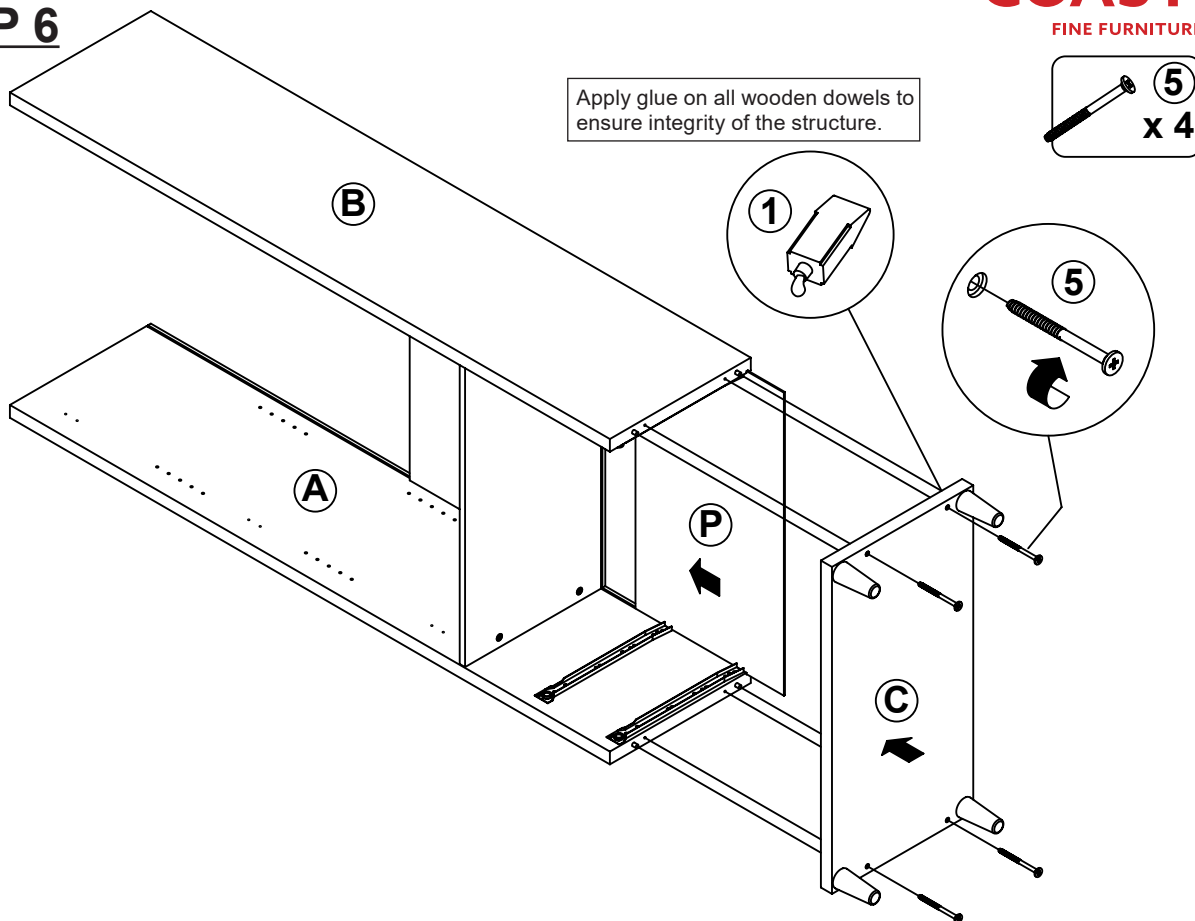
**STEP 5**



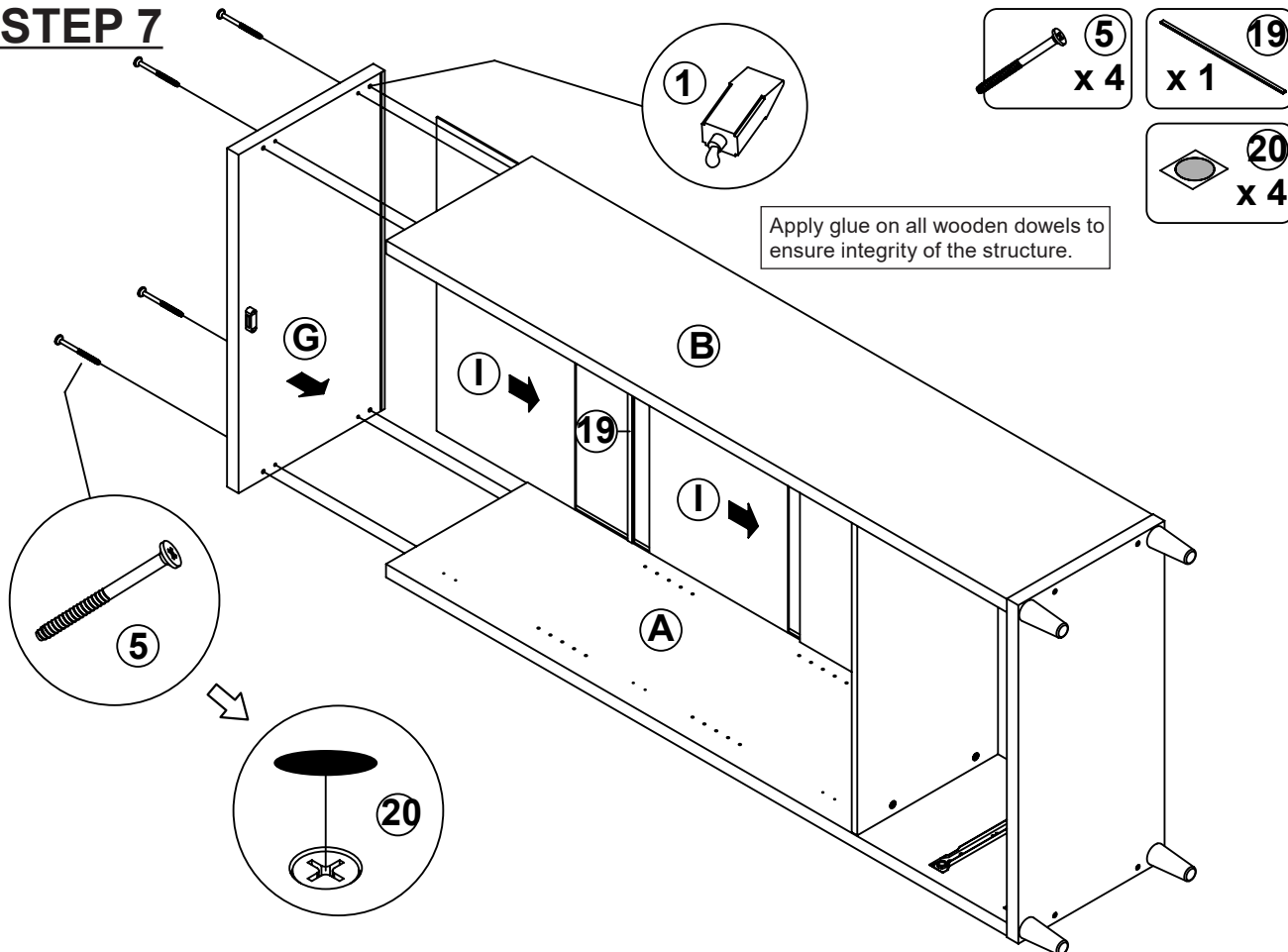
ITEM: 950724

**COASTER**  
FINE FURNITURE

**STEP 6**



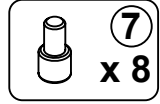
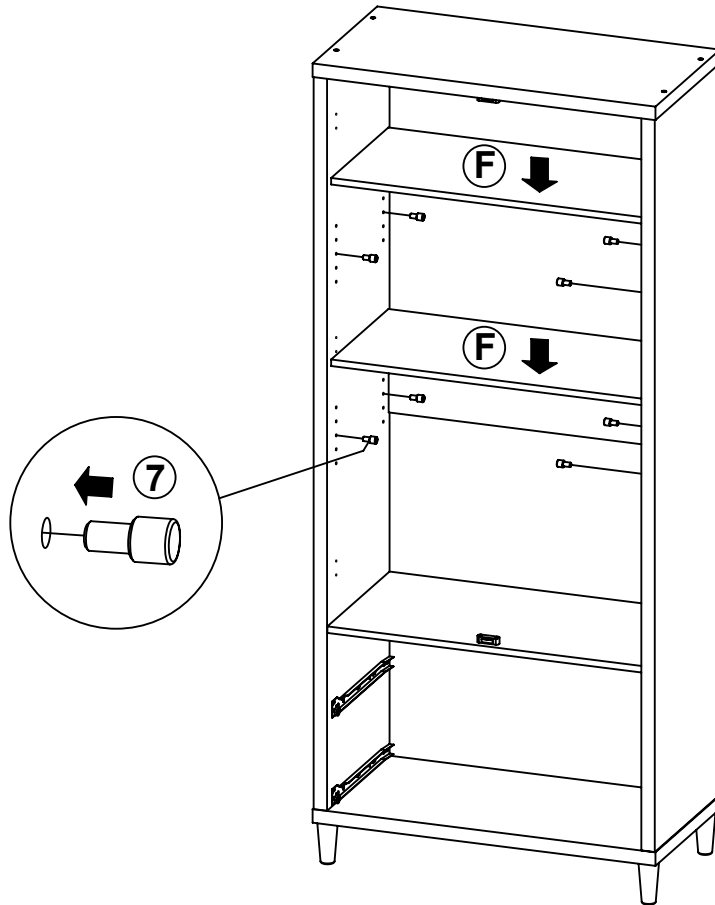
**STEP 7**



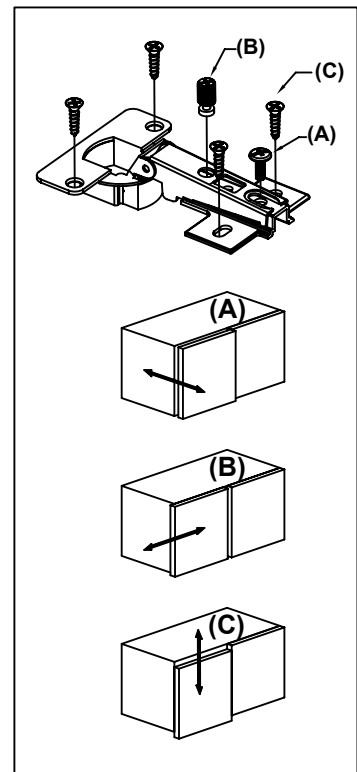
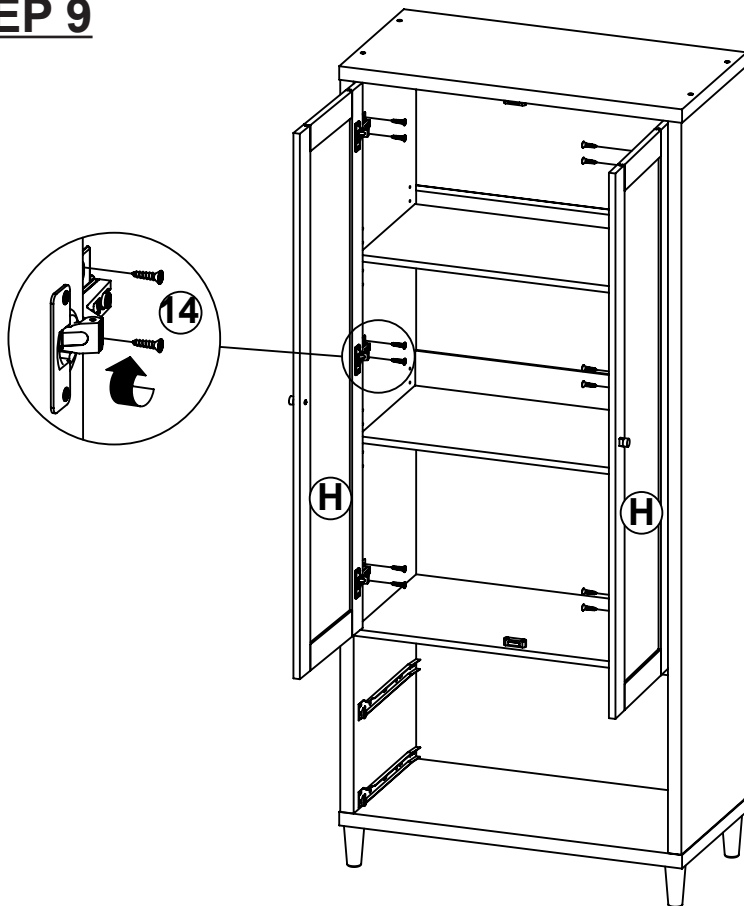
ITEM: 950724

**COASTER**  
FINE FURNITURE

**STEP 8**



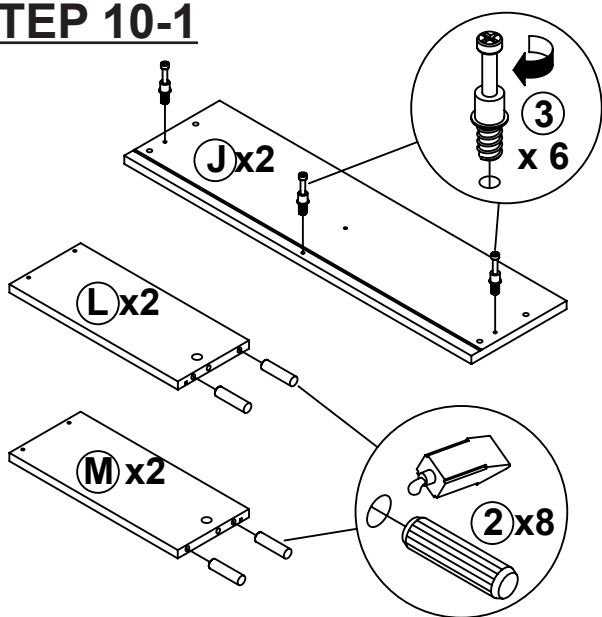
**STEP 9**



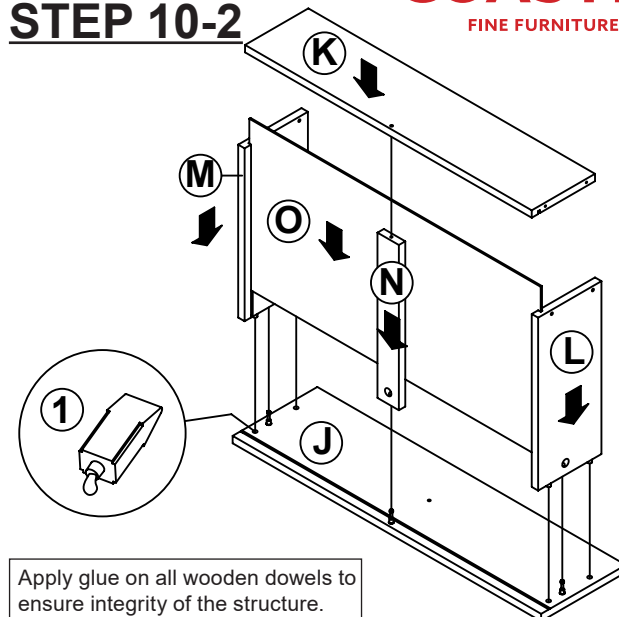


ITEM: 950724

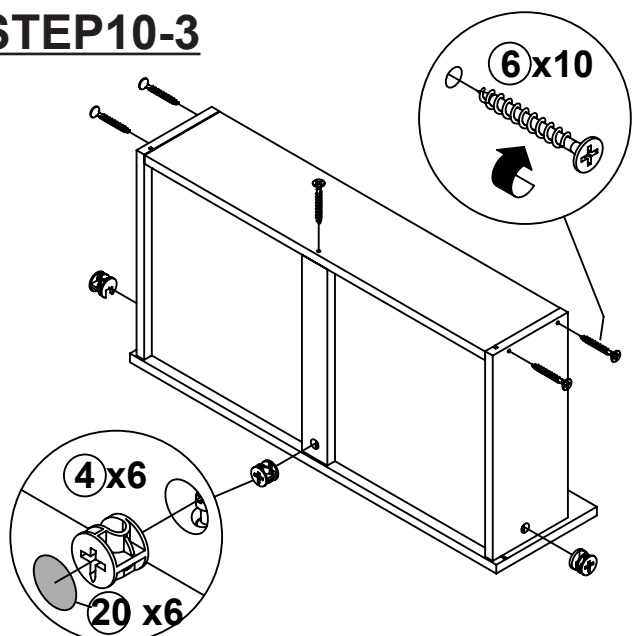
**STEP 10-1**



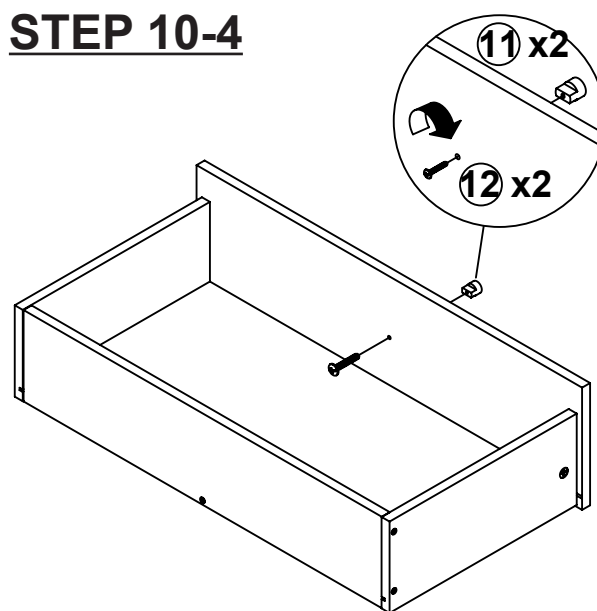
**STEP 10-2**



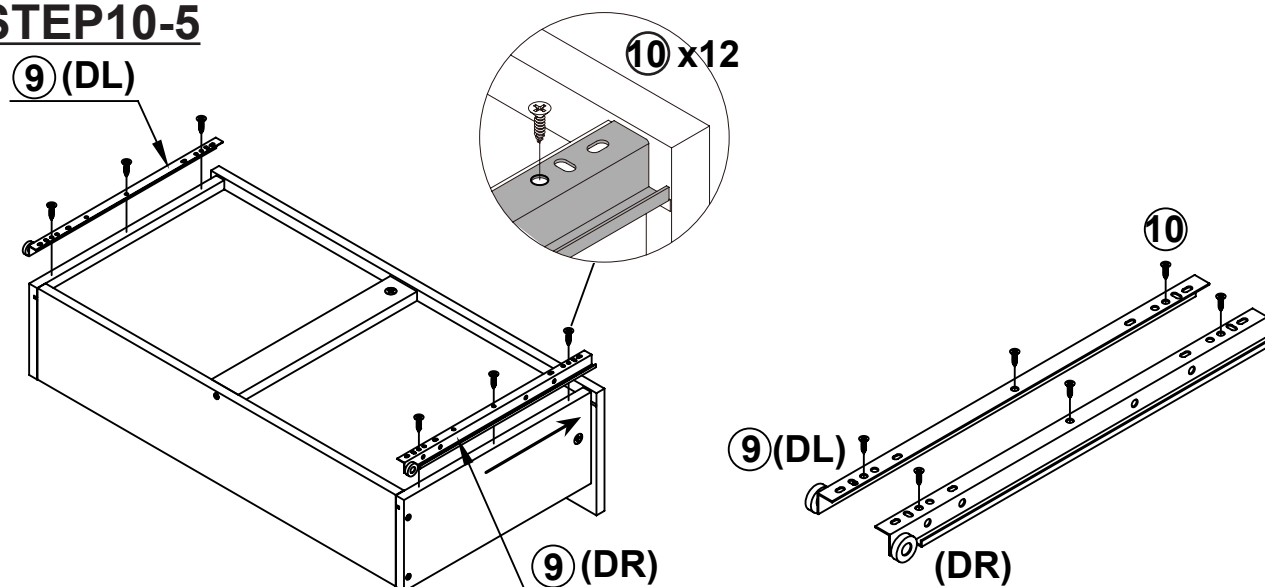
**STEP 10-3**



**STEP 10-4**

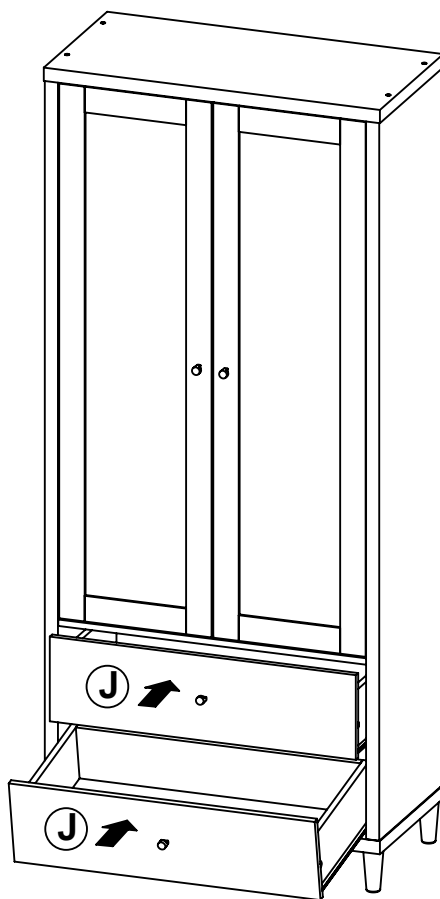


**STEP 10-5**

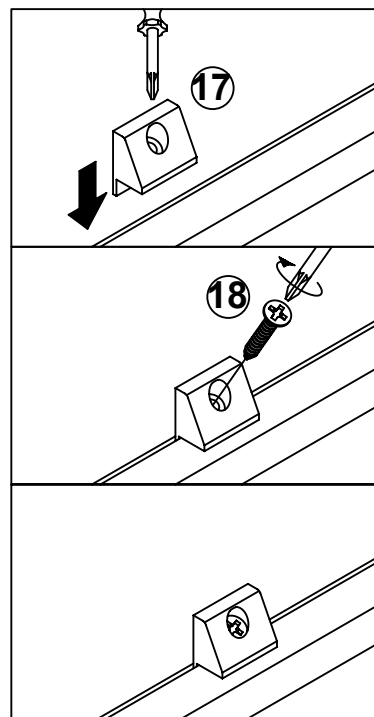
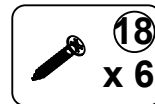
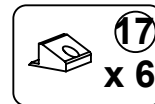
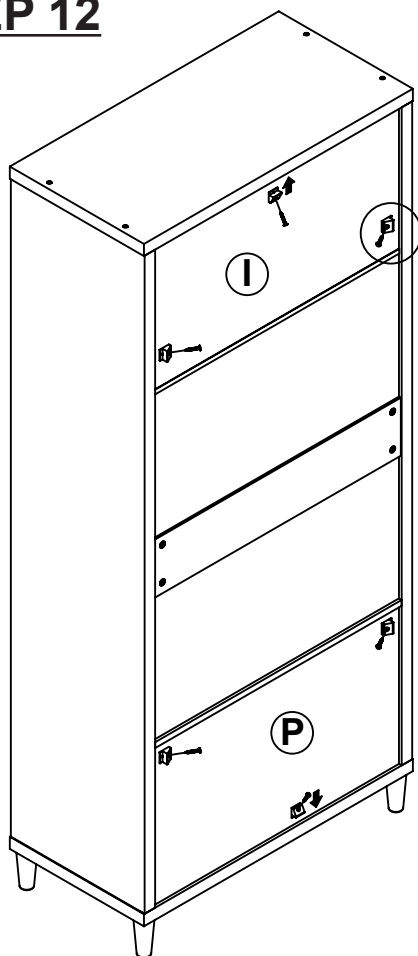


ITEM: 950724

**STEP 11**



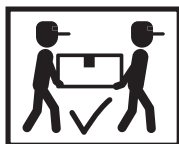
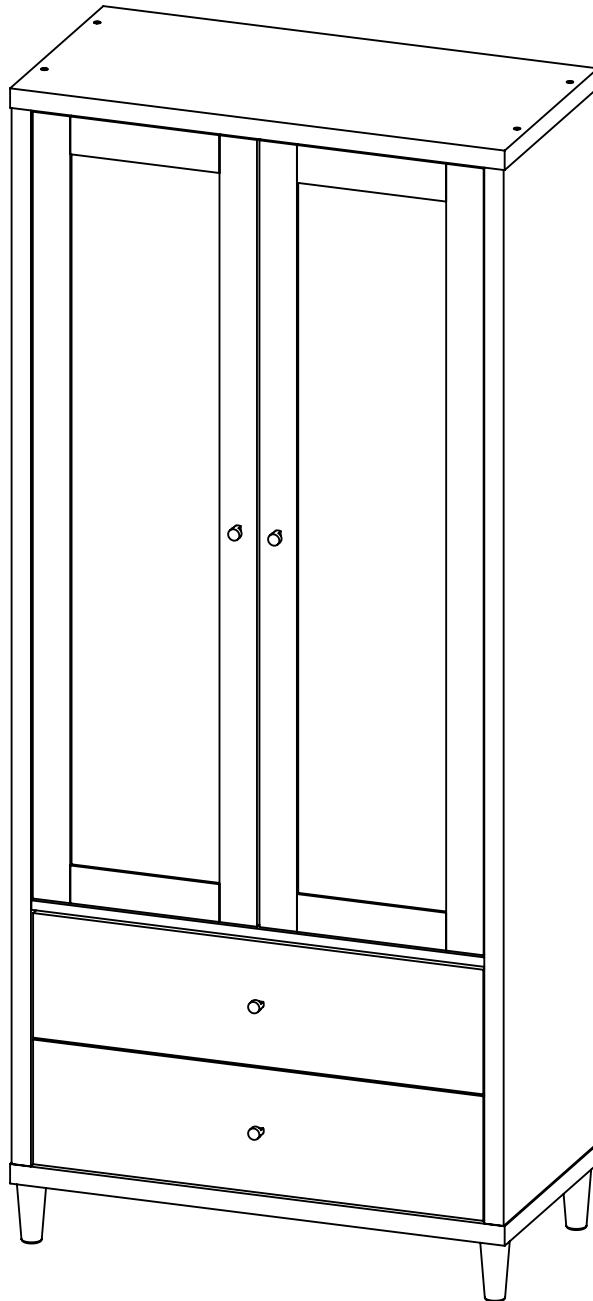
**STEP 12**



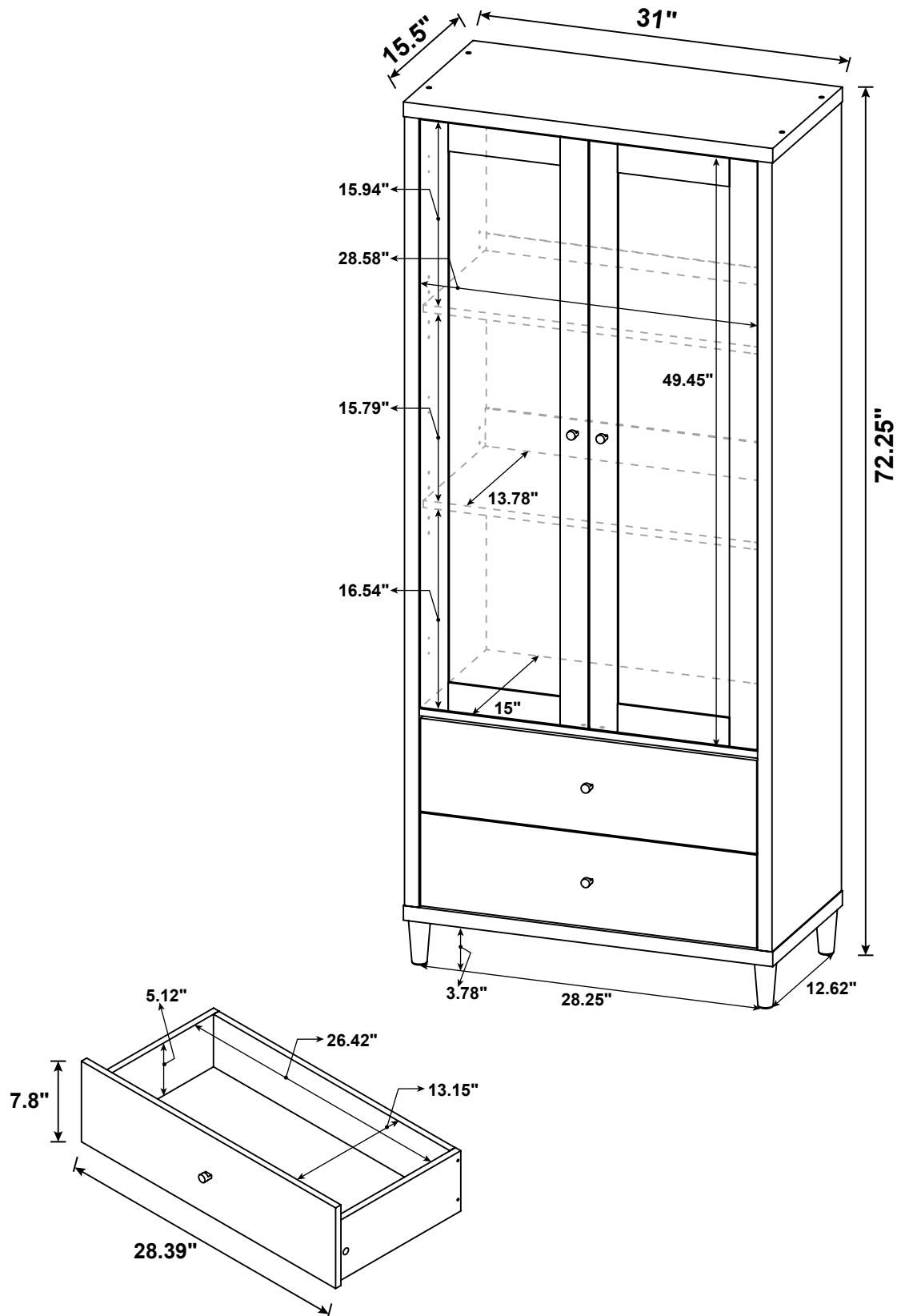
ITEM: **950724**

**STEP 13**

**COMPLETE**



ITEM:950724



Note : Dimension tolerance  $\pm 5\%$

## ANTI-TIPPING INSTALLMENT INSTRUCTIONS FURNITURE TIPPING RESTRAINT

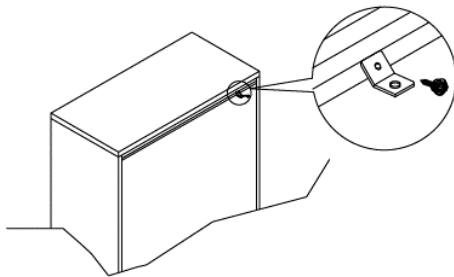
### WARNING

Injury may result from tipping furniture.  
 This restraint may protect against tipping furniture.  
 Do not allow children to climb on furniture.  
 This restraint is not a substitute for proper adult supervision.  
 Failure to detach this restraint before moving the furniture may result in injury and damage.

This restraint must be screwed to a wood stud on the wall, using the long screw provided.

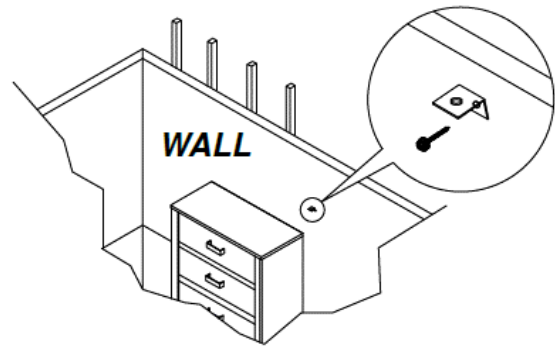
### STEP 1

Secure the bracket to the back top of the unit, using the short screw provided, as shown in the drawing.



### STEP 2

Locate the wood stud on the wall, and secure the other bracket, 2 inches below the back of the unit.



### STEP 3

Place the furniture into position so both mounting brackets are vertically in line. Lace the end of the restraint strap through the larger hole in each mounting bracket. Bring both ends together and slide the flat end through the locking end, and drag it through, until the slack is removed. Ensure that the strap is securely laced and locked.

