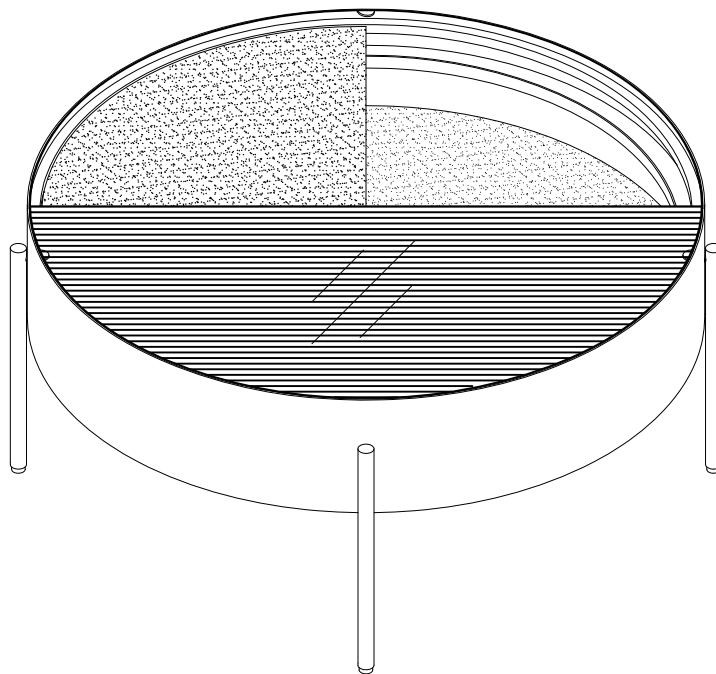


ASSEMBLY INSTRUCTIONS
COASTER FINE FURNITURE



Fine Furniture for every stage of life

707898
COFFEE TABLE

ITEM:707898



ASSEMBLY INSTRUCTIONS

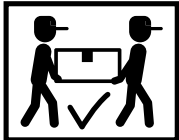
ASSEMBLY TIPS:

1. Remove hardware from box and sort by size.
2. Please check to see that all hardware and parts are present prior to start of assembly.
3. Please follow attached instructions in the same sequence as numbered to assure fast & easy assembly.



WARNING !

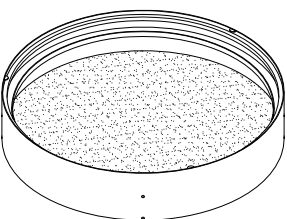
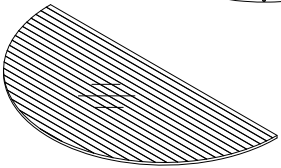
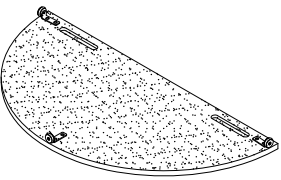

1. Don't attempt to repair or modify parts that are broken or defective. Please contact the store immediately.
2. This product is for home use only and not intended for commercial establishment.



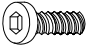




ASSEMBLY TIME

15 MINUTE

PARTS IDENTIFICATION

A	TOP FRAME		1PC
B	GLASS TOP		1PC
C	ROTATING BOARD		1PC
D	LEG		4PCS

HARDWARE IDENTIFICATION

1	BOLT (1/4"x1/2")		8PCS
2	SCREW (M4x22mm)		4PCS
3	WASHER (ϕ 12mm)		4PCS
4	GLASS PAD (ϕ 12mm)		3PCS
5	ALLEN KEY (4x22x60mm)		1PC

NOTE:

Phillips head screw driver is required in the assembly process; however, manufacturer does not provide this item.

ITEM:707898

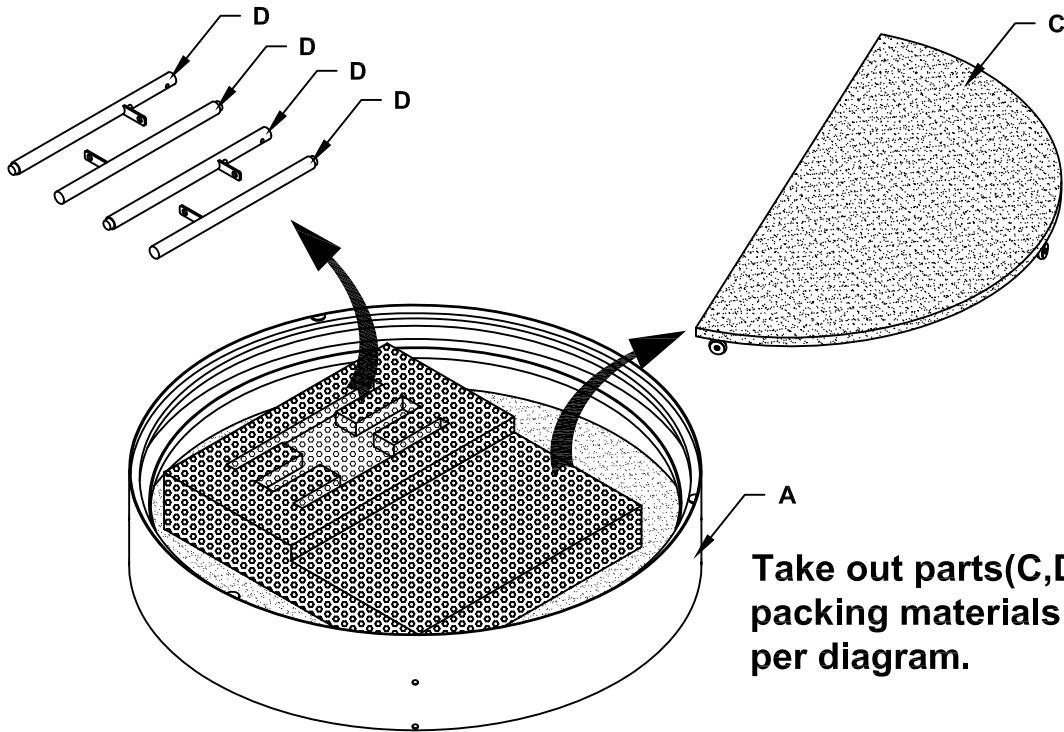


ASSEMBLY INSTRUCTIONS

STEP 1:

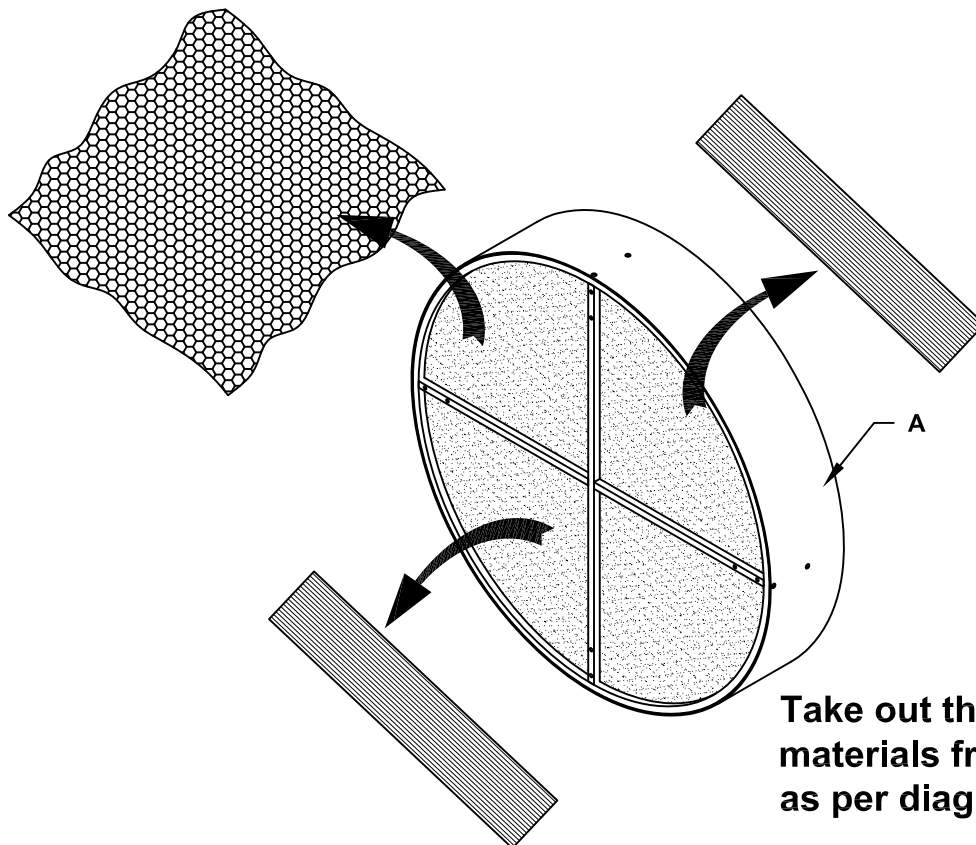
ASSEMBLY

Do not fully tighten all bolts until assembly is complete.
This will help all parts to assemble properly.



Take out parts(C,D) and packing materials as per diagram.

STEP 2:

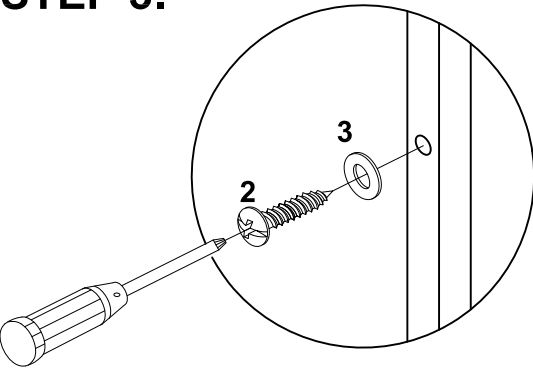


Take out the packaging materials from part (A) as per diagram.

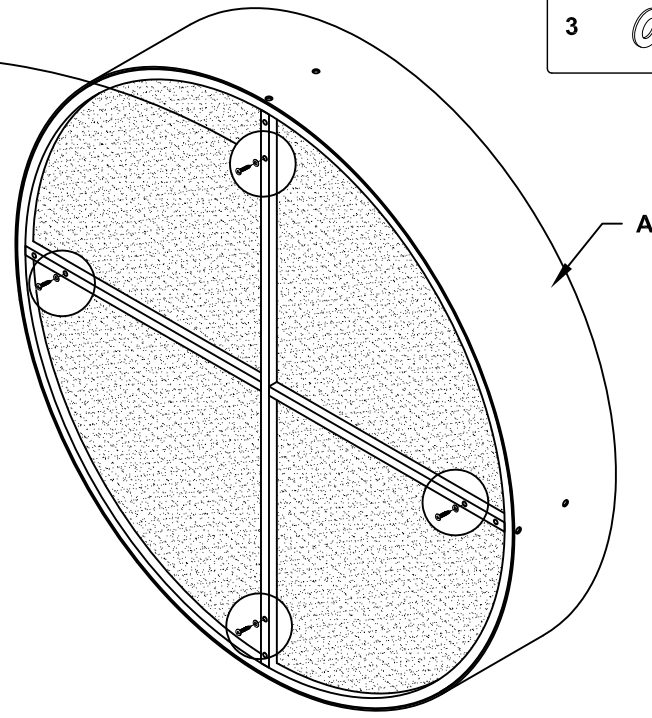
ITEM:707898

ASSEMBLY INSTRUCTIONS

STEP 3:

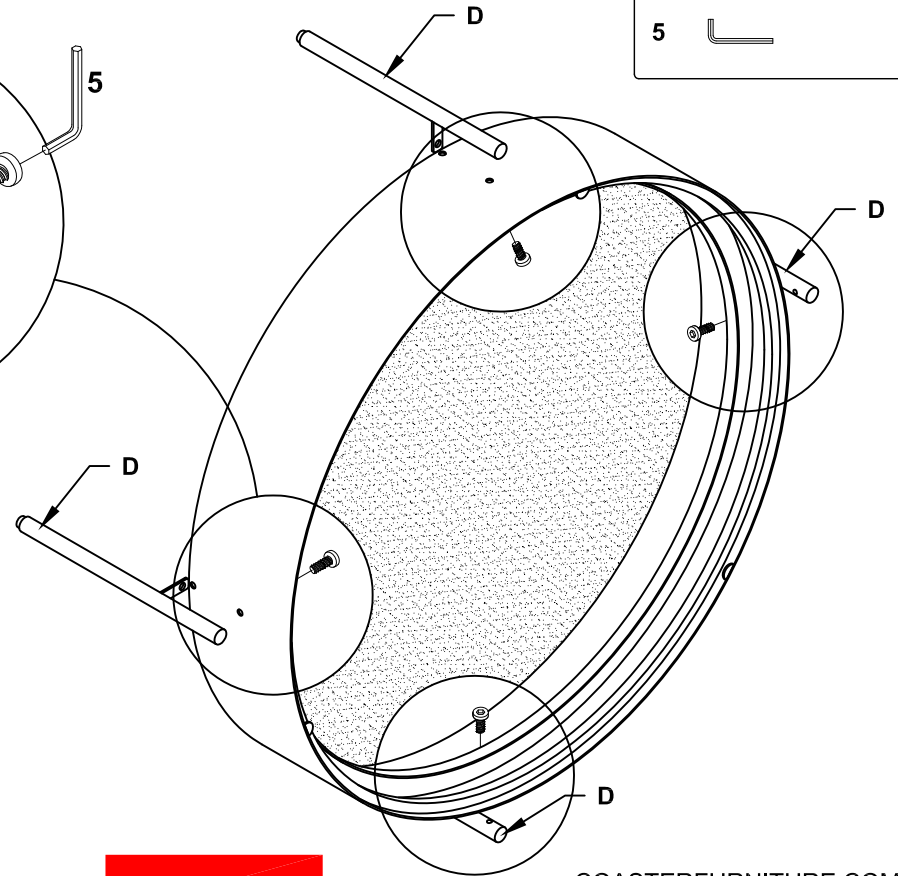
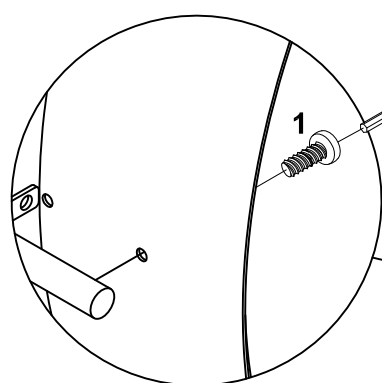


2		4PCS
3		4PCS



STEP 4:

1		4PCS
5		

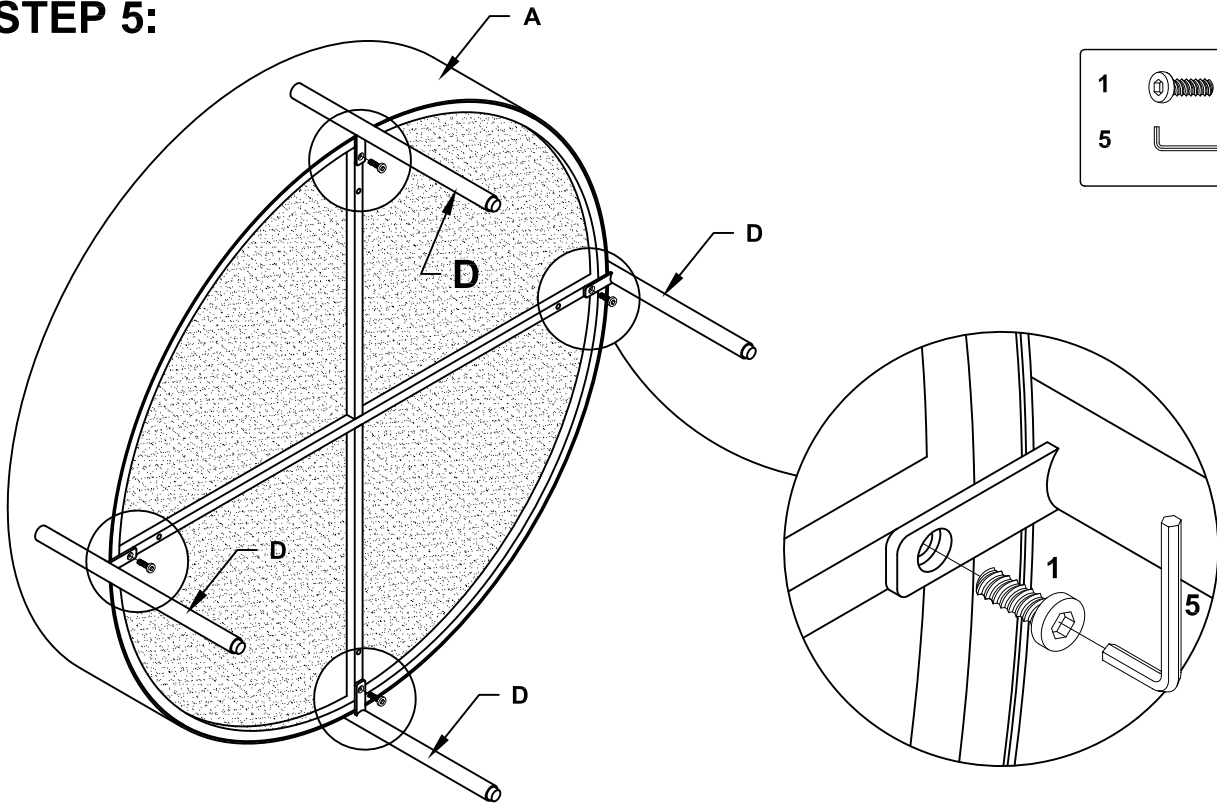


ITEM:707898

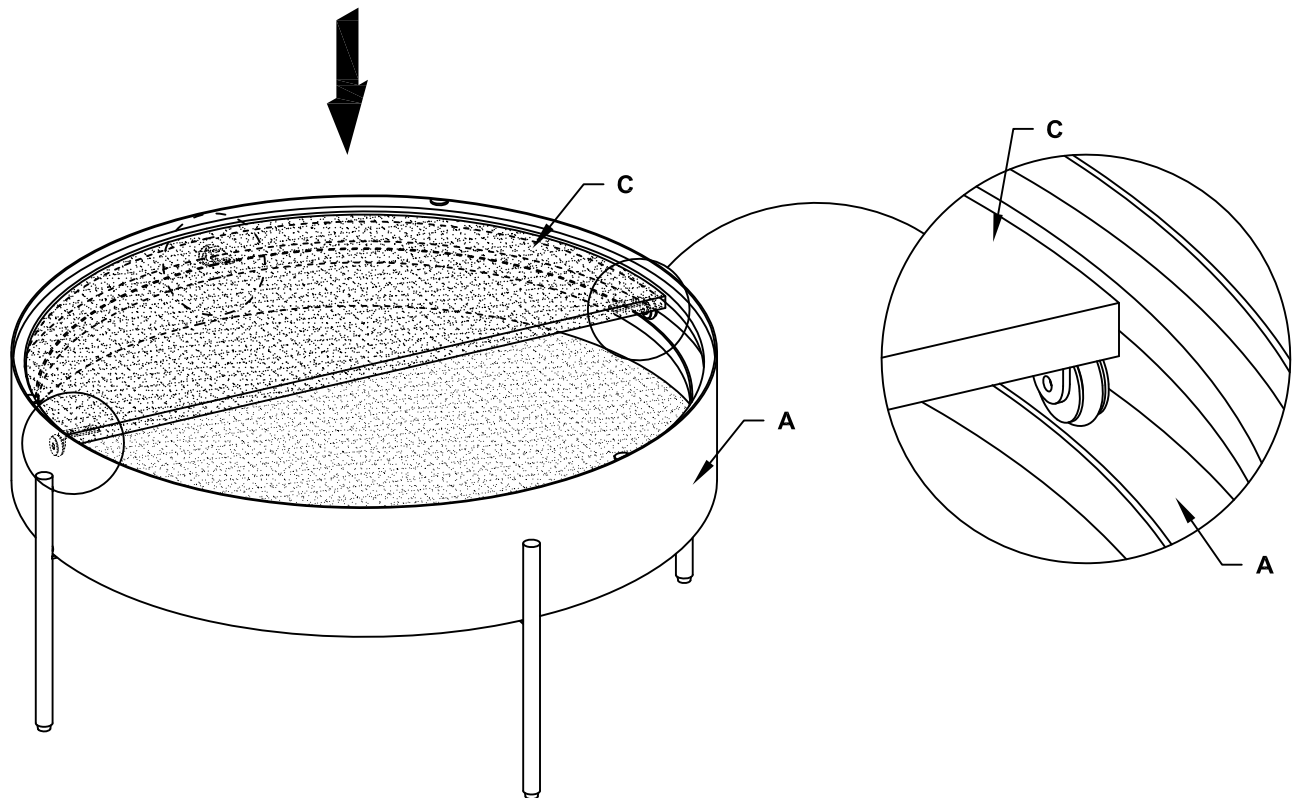


ASSEMBLY INSTRUCTIONS

STEP 5:



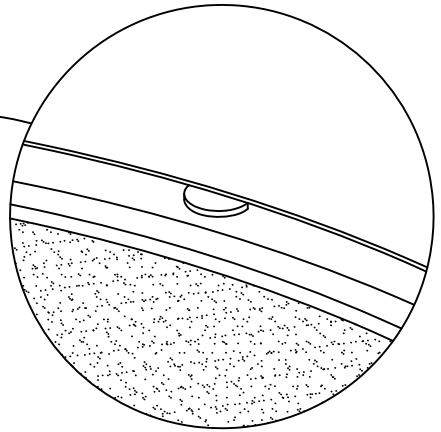
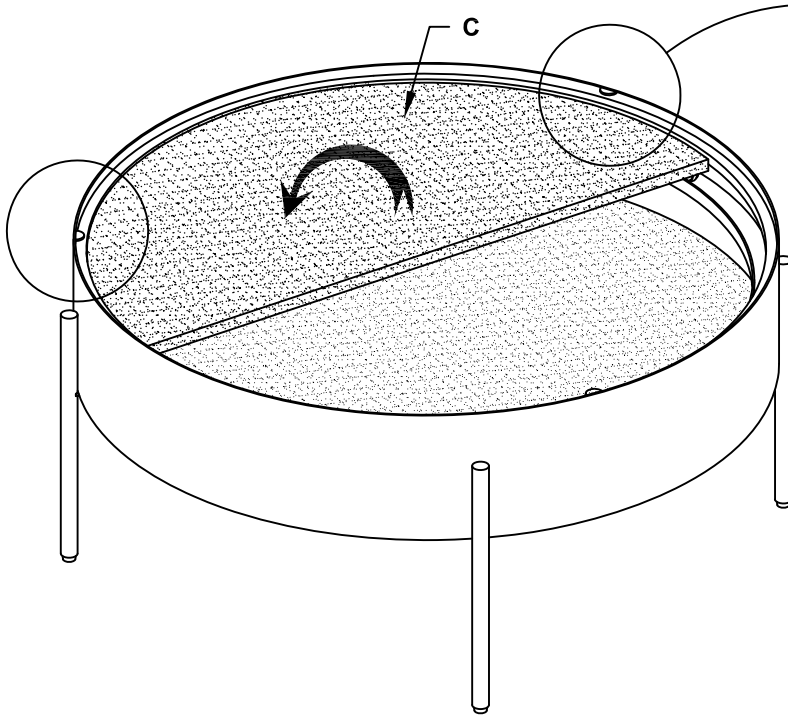
STEP 6:



ITEM:707898

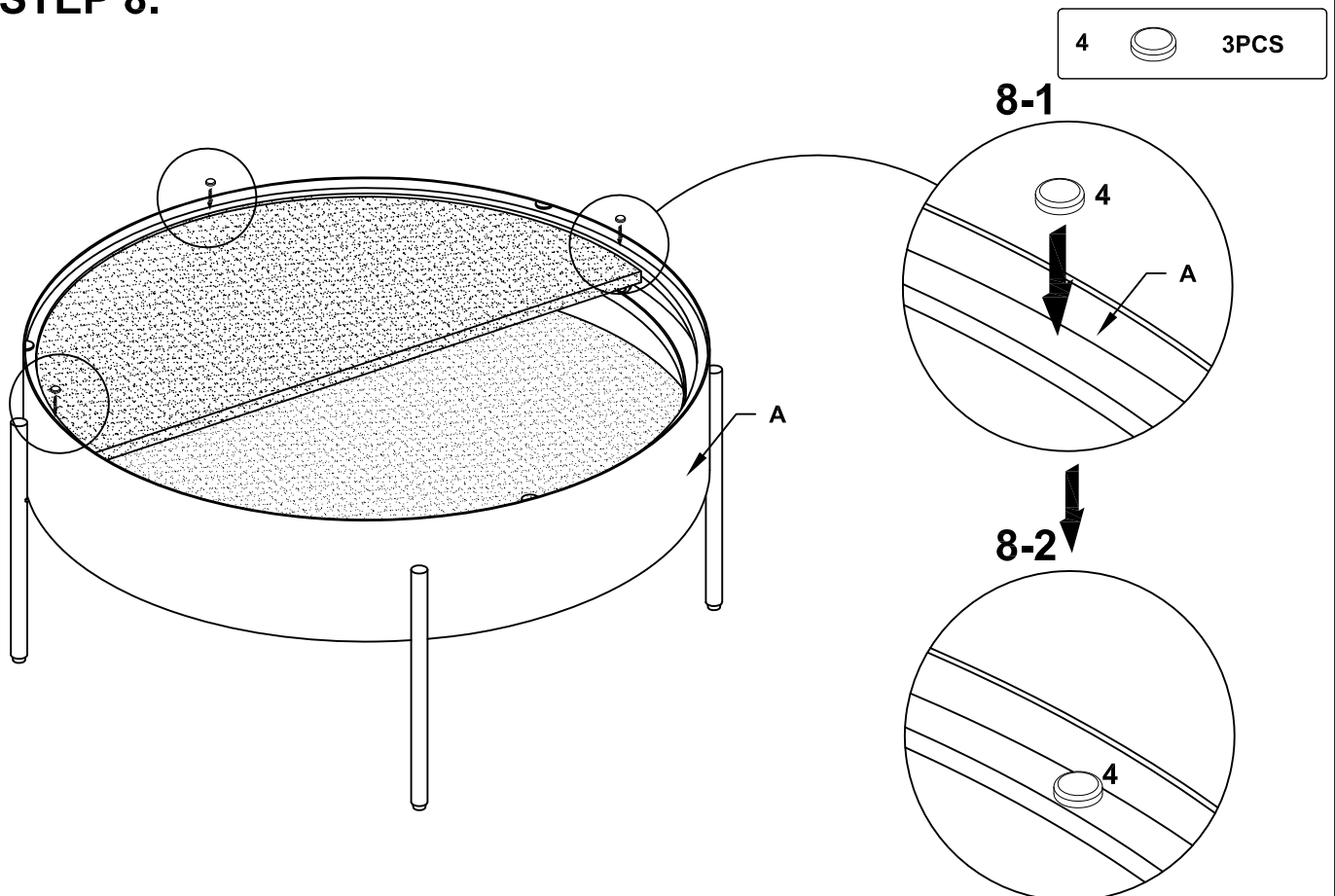
ASSEMBLY INSTRUCTIONS

STEP 7:



Turn part (C) to match any two alignment marks as per diagram.

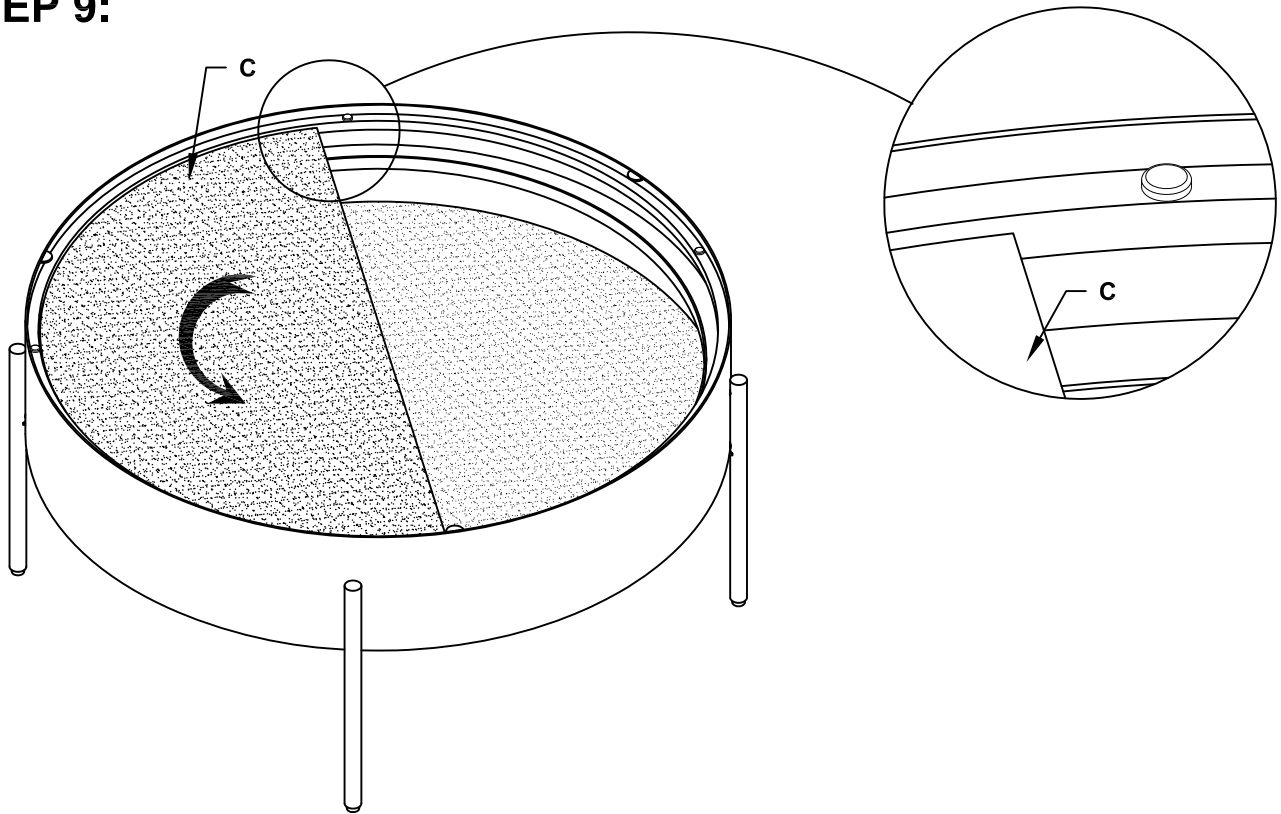
STEP 8:



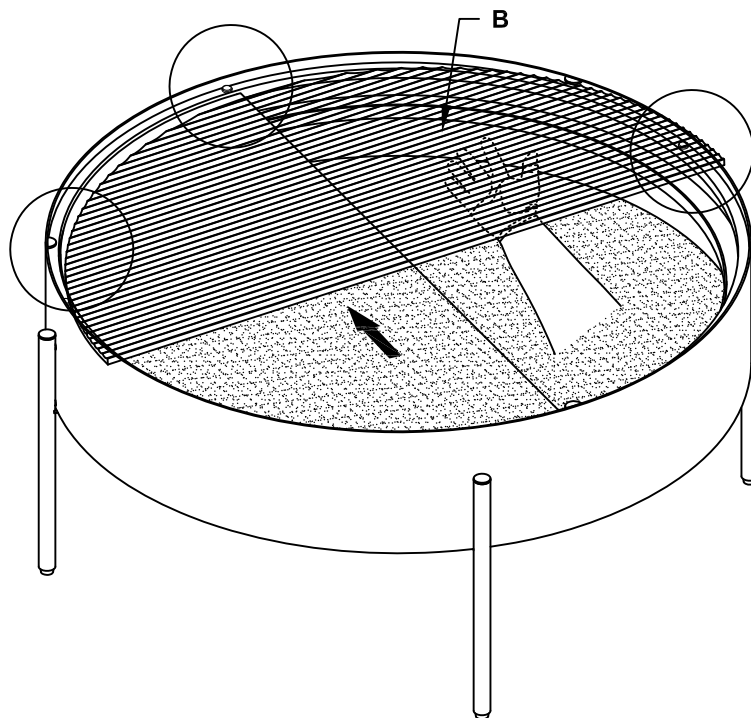
ITEM: 707898

ASSEMBLY INSTRUCTIONS

STEP 9:



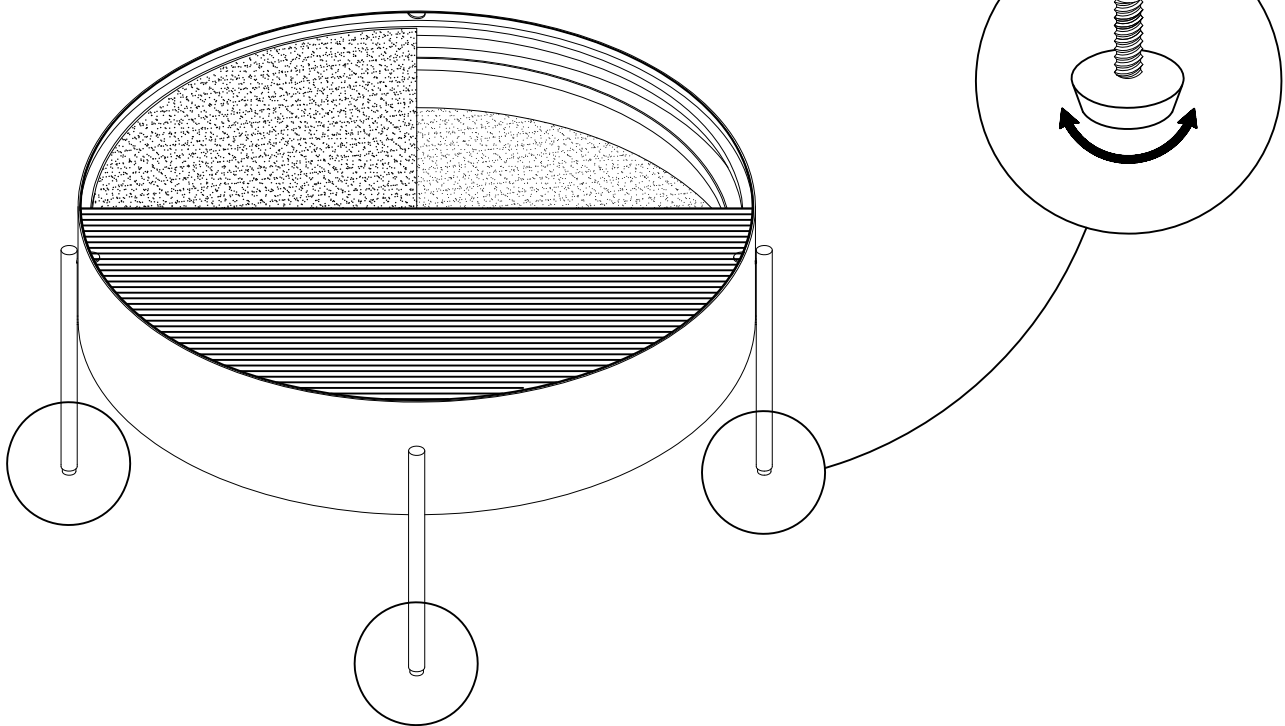
STEP 10:



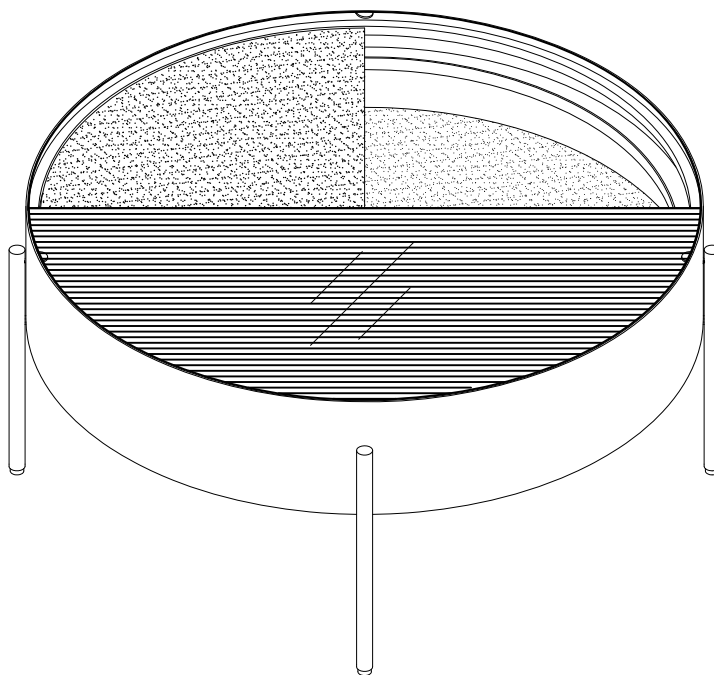
ITEM:707898

ASSEMBLY INSTRUCTIONS

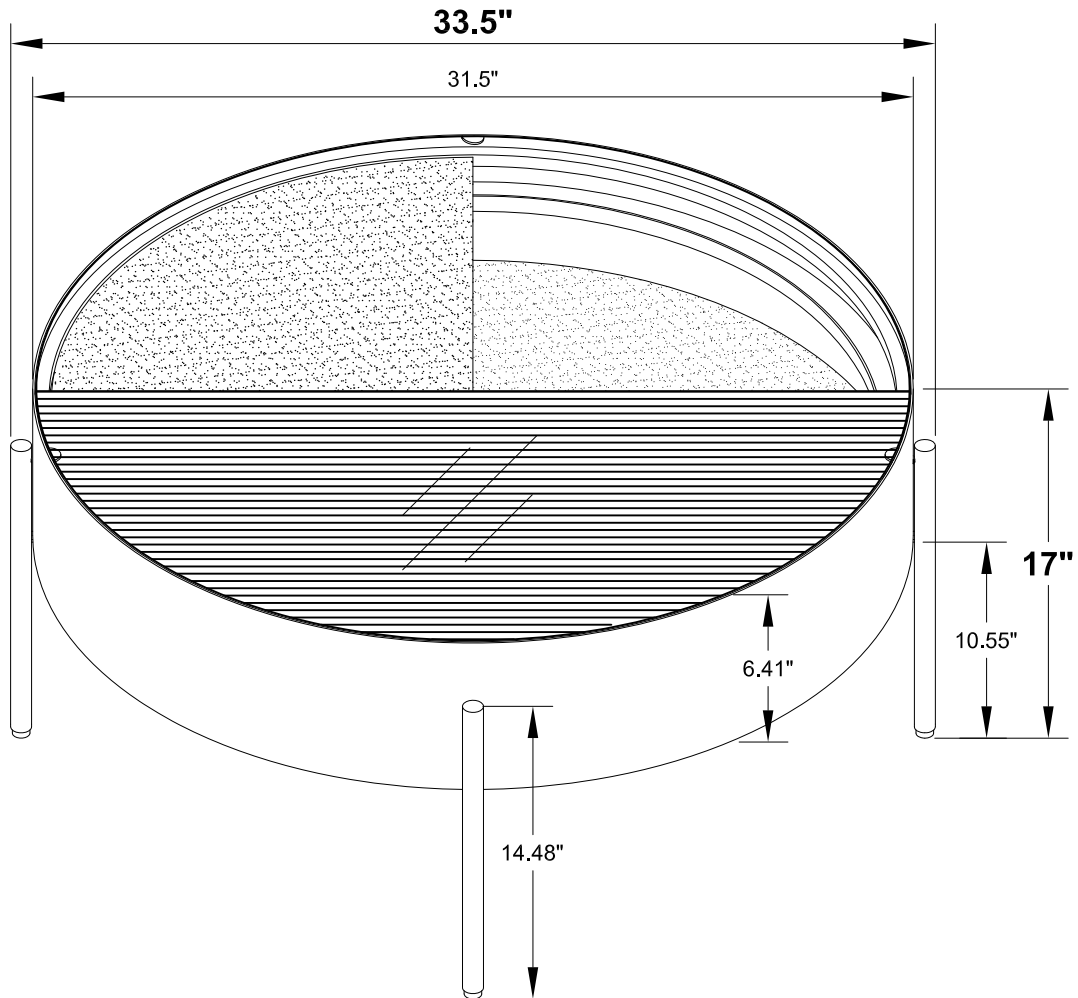
STEP 11:



STEP 12:



ITEM:707898



Note : Dimension tolerance $\pm 5\%$